

Installation instructions, accessories

Volvo Car Corporation Gothenburg, Sweden

Instruction No
31339317

Version
1.0

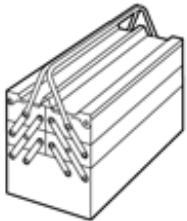
Part. No.
31339337

End pipes, double



IMG-350897

Equipment



IMG-345497



IMG-256903

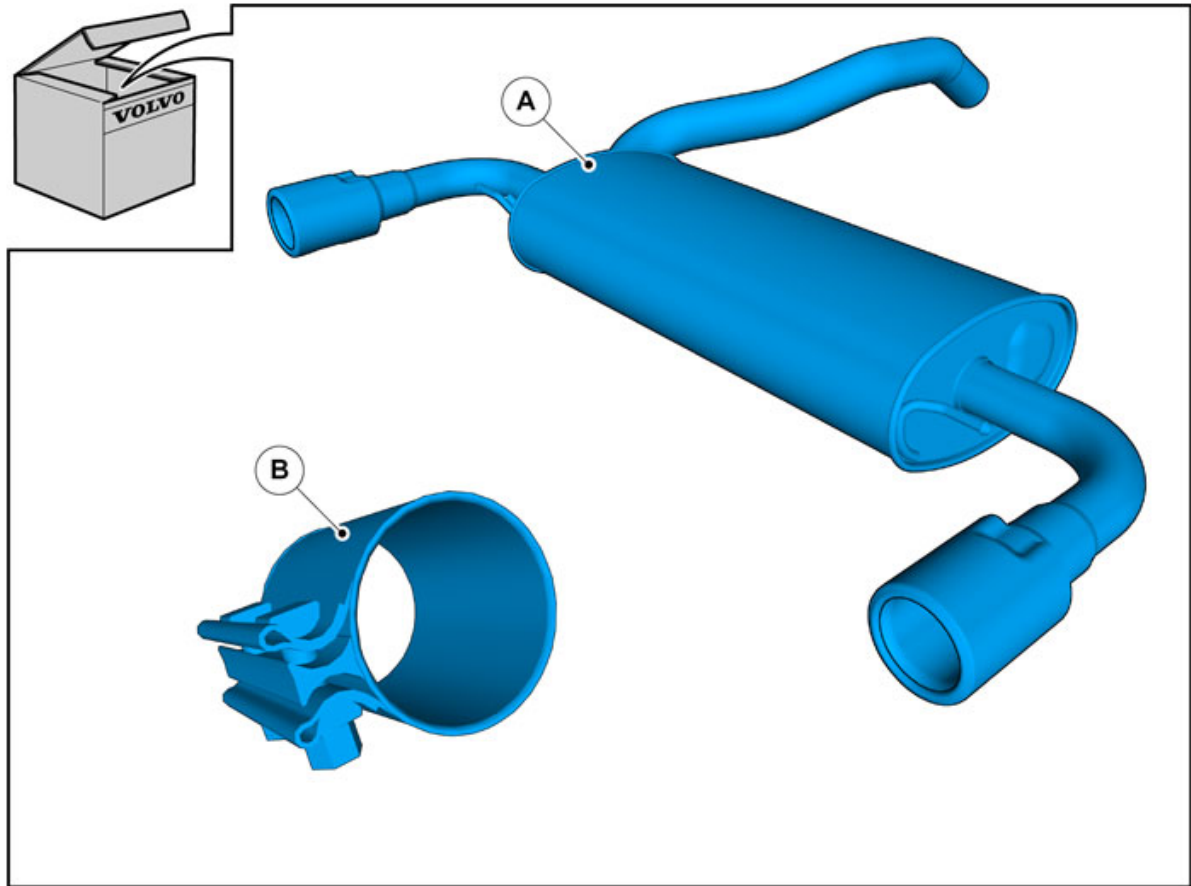


IMG-239664

Nm
lbf.ft

Installation instructions, accessories

Volvo Car Corporation Gothenburg, Sweden



IMG-350901

Installation instructions, accessories

Volvo Car Corporation Gothenburg, Sweden

Information

1

Read through all of the instructions before starting installation.

Notifications and warning texts are for your safety and to minimise the risk of something breaking during installation.

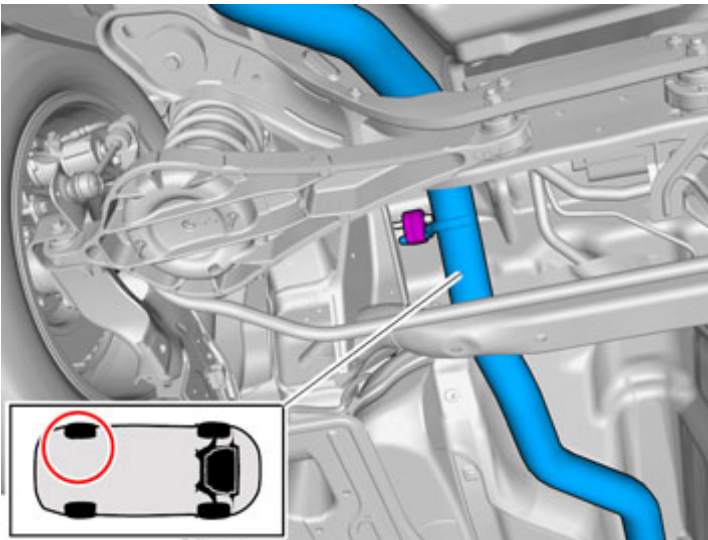
Ensure that all tools stated in the instructions are available before starting installation.

Certain steps in the instructions are only presented in the form of images. Explanatory text is also given for more complicated steps.

In the event of any problems with the instructions or the accessory, contact your local Volvo dealer.

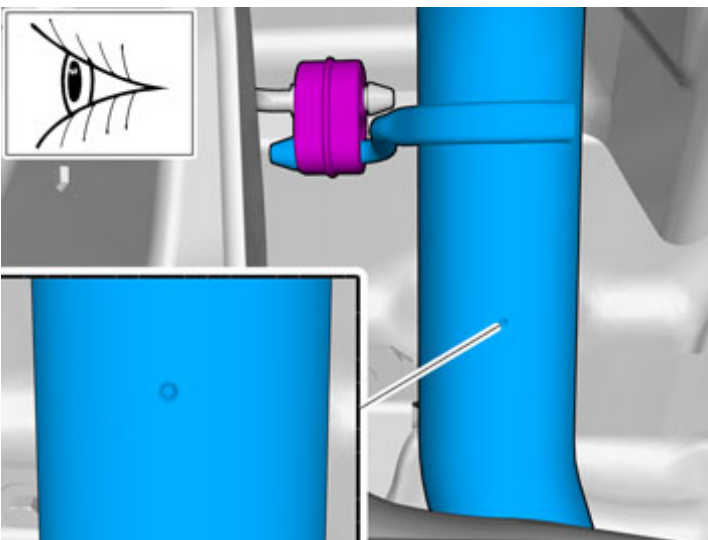
Removal

2



IMG-350911

3

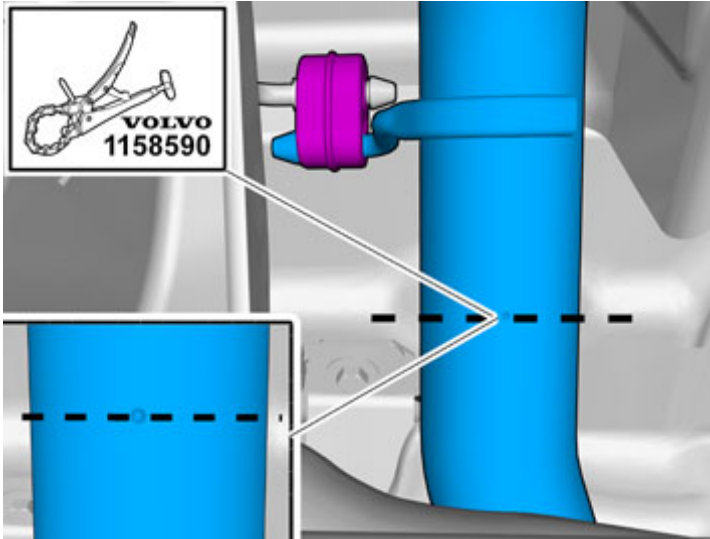


IMG-350971

Installation instructions, accessories

Volvo Car Corporation Gothenburg, Sweden

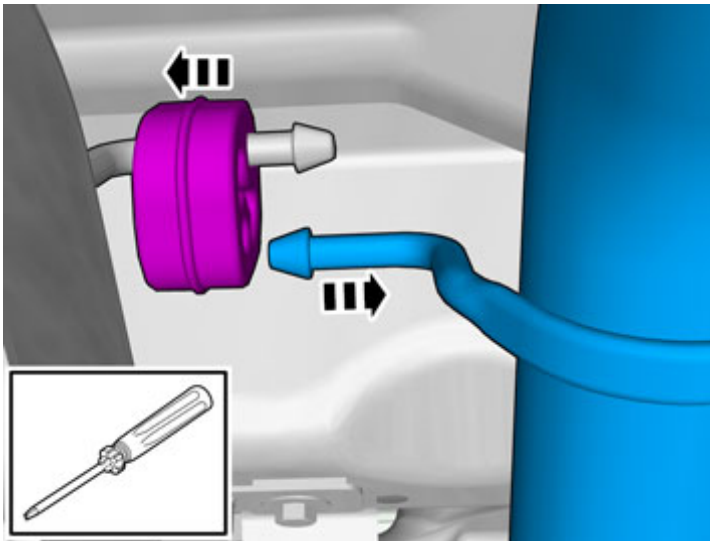
4



IMG-350912

Use: Pipe cutter

5

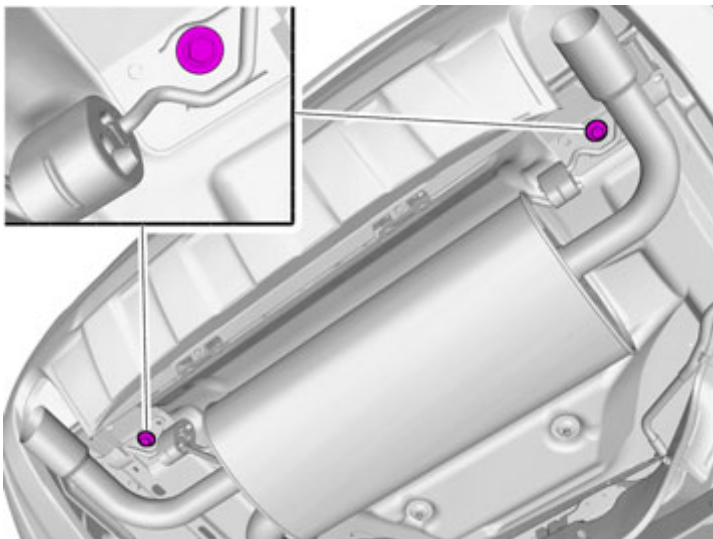


IMG-350913

Installation instructions, accessories

Volvo Car Corporation Gothenburg, Sweden

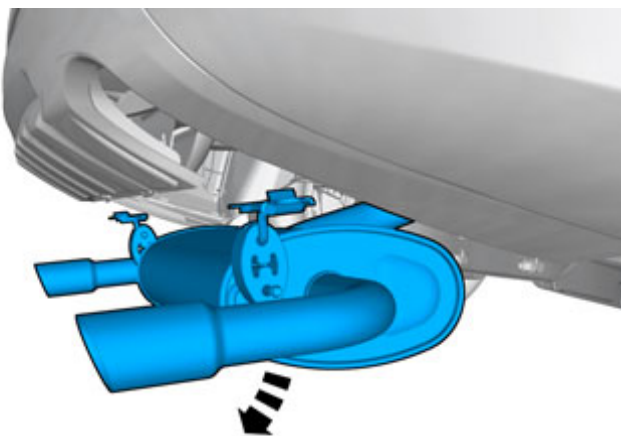
6



IMG-350914

Remove the screws.

7

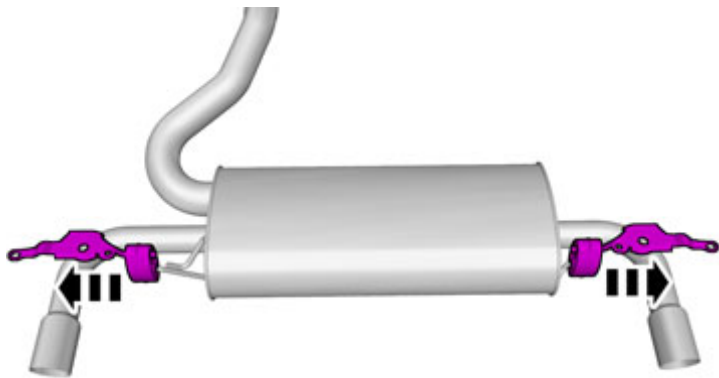


IMG-350915

Installation instructions, accessories

Volvo Car Corporation Gothenburg, Sweden

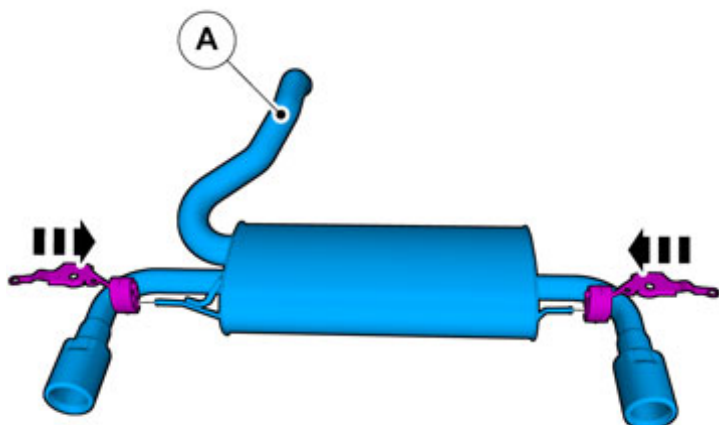
8



IMG-350916

Accessory installation

9

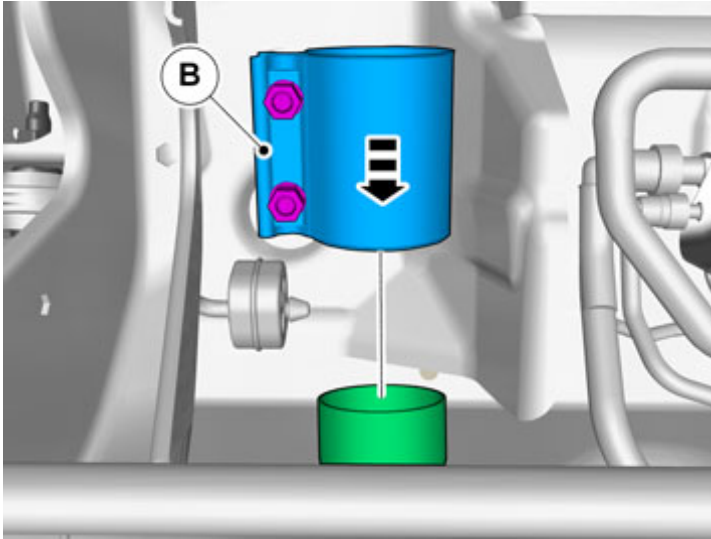


IMG-350941

Installation instructions, accessories

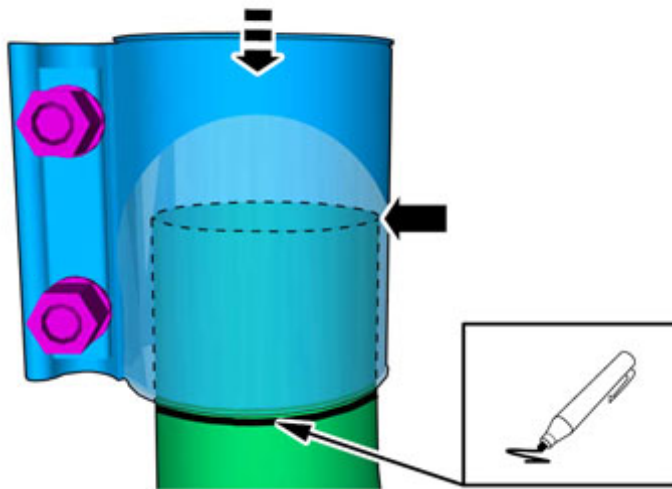
Volvo Car Corporation Gothenburg, Sweden

10



IMG-351023

11

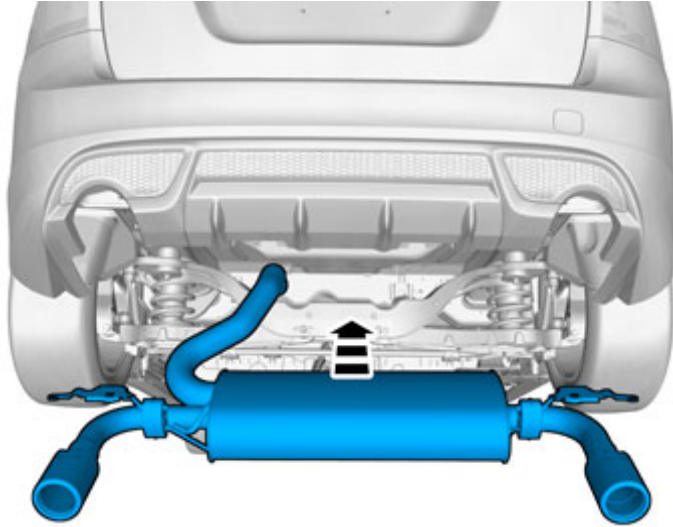


IMG-351061

Installation instructions, accessories

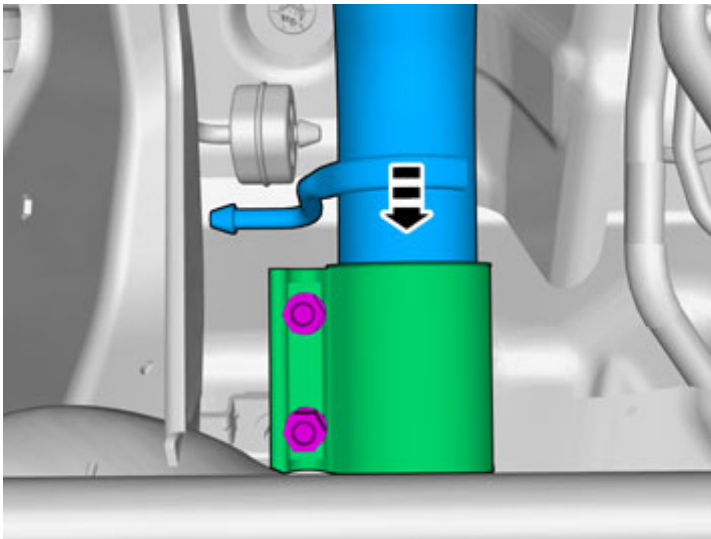
Volvo Car Corporation Gothenburg, Sweden

12



IMG-351041

13

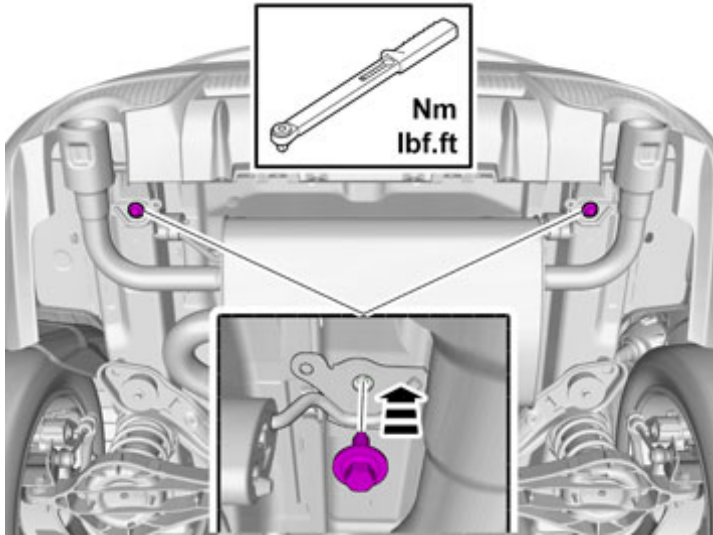


IMG-351027

Installation instructions, accessories

Volvo Car Corporation Gothenburg, Sweden

14

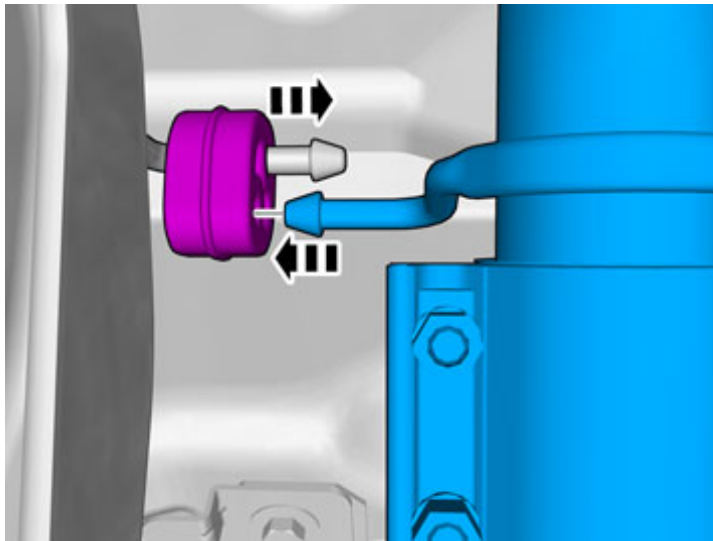


IMG-351046

Install the screws.

Tightening torque: M8 , 24 Nm

15

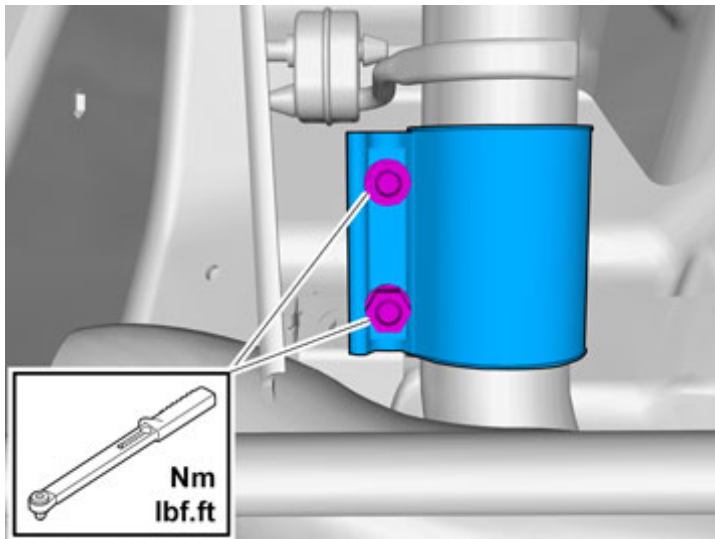


IMG-351031

Installation instructions, accessories

Volvo Car Corporation Gothenburg, Sweden

16



IMG-351047

Tightening torque: M10 , 50 Nm