

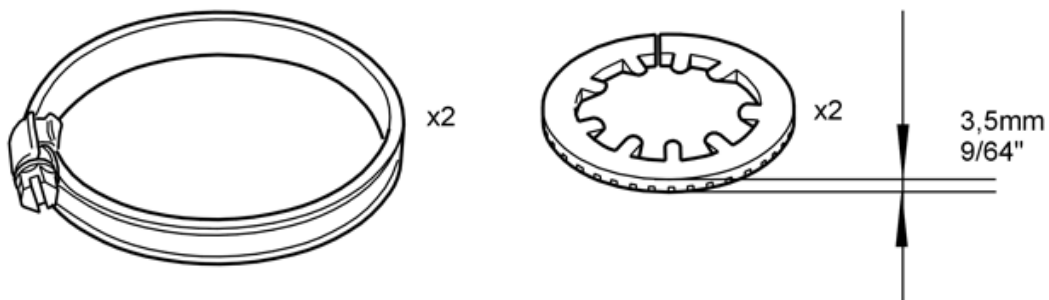
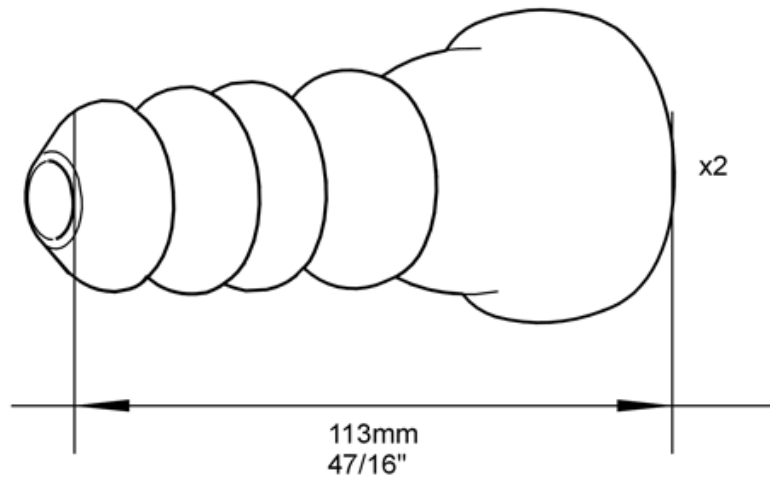
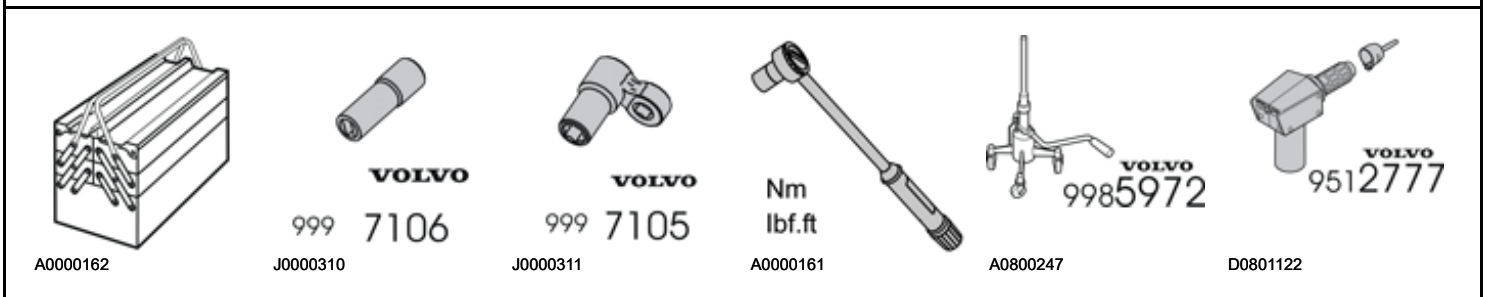
# Installation instructions, accessories

Volvo Car Corporation Gothenburg, Sweden

**Instruction No** 30660350  
**Version** 1.2  
**Part. No.** 30664997

## Limiter kit 18" wheel

### Equipment



J7700534

# Installation instructions, accessories

Volvo Car Corporation Gothenburg, Sweden

Any comments on this publication? Please contact your nearest retailer. Thank You!

Publ.no:	Issue:	Kit no:
Comments:.....		
.....		
.....		
.....		

From:	
Address:	
Telephone:	
Telefax:	

IMG-213320

# Installation instructions, accessories

Volvo Car Corporation Gothenburg, Sweden

---

## INTRODUCTION

Read through all of the instructions before starting installation.

Notifications and warning texts are for your safety and to minimise the risk of something breaking during installation.

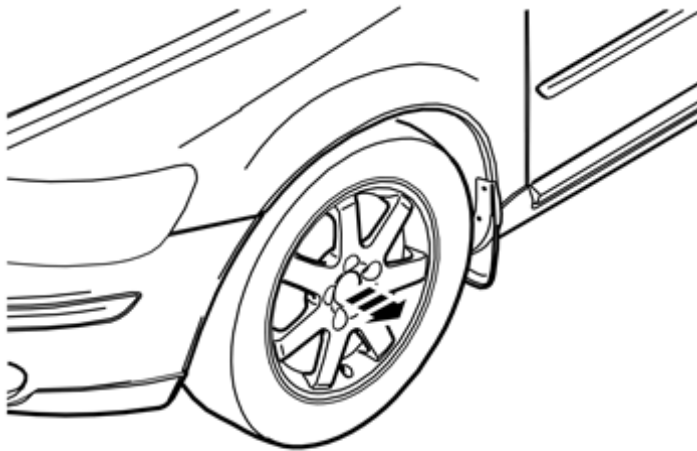
Ensure that all tools stated in the instructions are available before starting installation.

Certain steps in the instructions are only presented in the form of images. Explanatory text is also given for more complicated steps.

In the event of any problems with the instructions or the accessory, contact your local Volvo dealer.

---

1

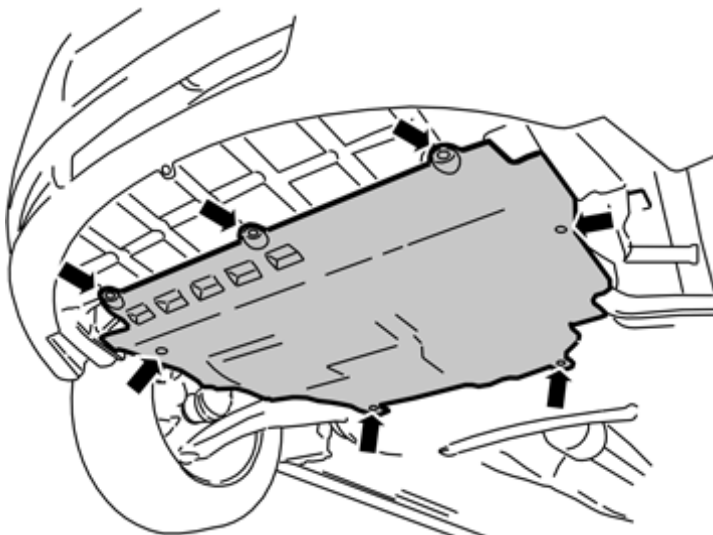


Remove the front wheel.

J7700537

---

2



Unscrew the screws and remove the engine splash guard.

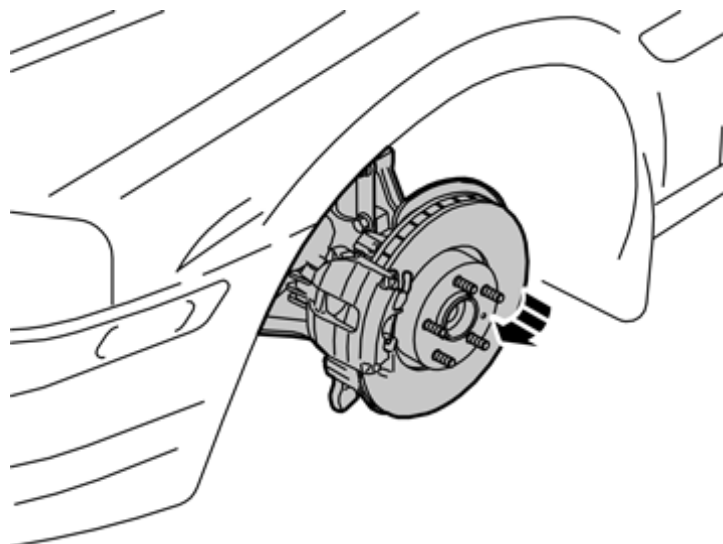
J8000359

---

# Installation instructions, accessories

Volvo Car Corporation Gothenburg, Sweden

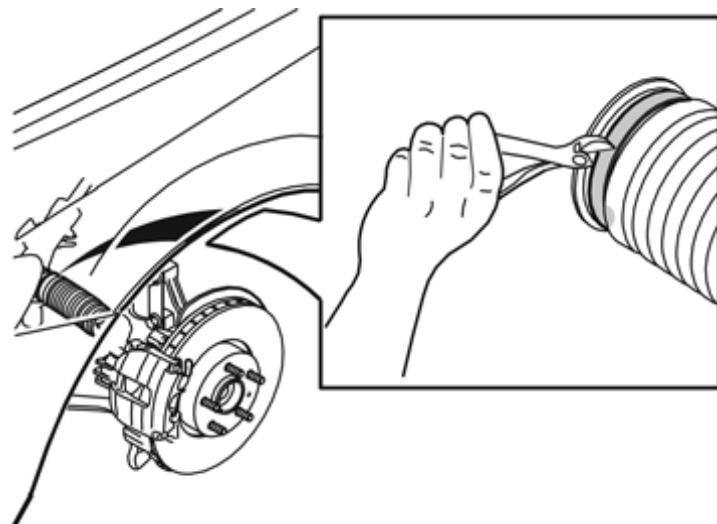
3



J7700536

Turn the wheels to the right.

4



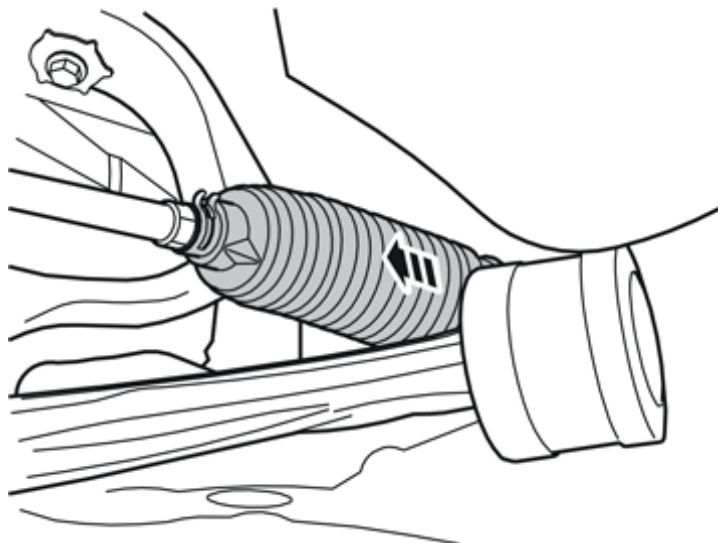
J7200269

Cut away the large clip on the gaiter for the steering gear rack.

# Installation instructions, accessories

Volvo Car Corporation Gothenburg, Sweden

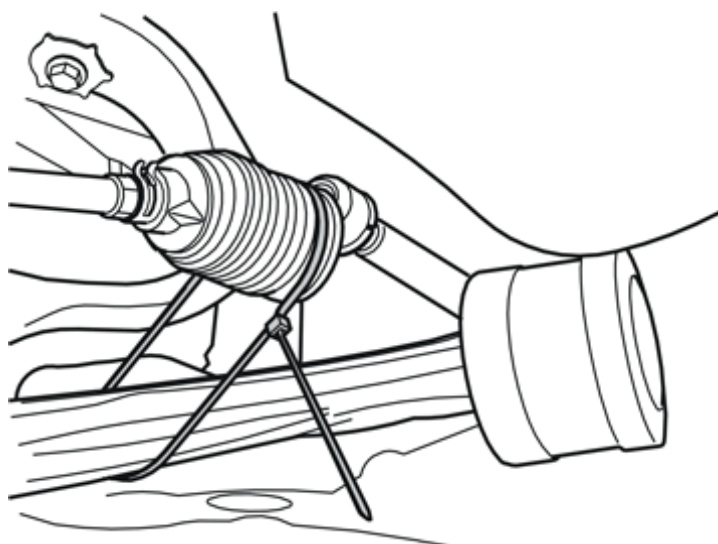
5



J7200271

Remove the gaiter so that the steering gear rack is accessible.

6



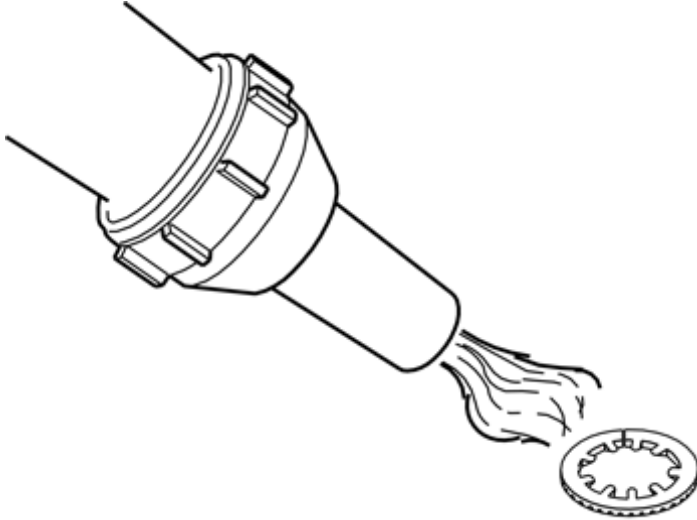
J7200272

Secure the rubber gaiter with a tie strap as illustrated.

# Installation instructions, accessories

Volvo Car Corporation Gothenburg, Sweden

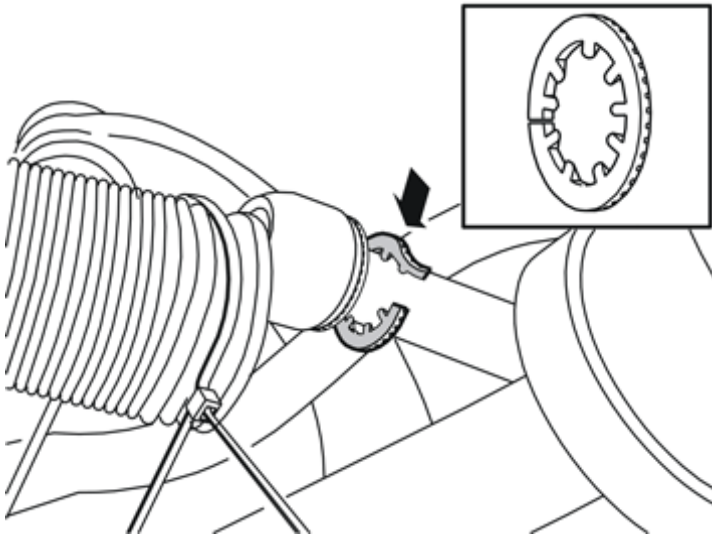
7



Take the hot air gun and warm up the spacer washer so that it can be eased over the steering gear rack.

J7700535

8A



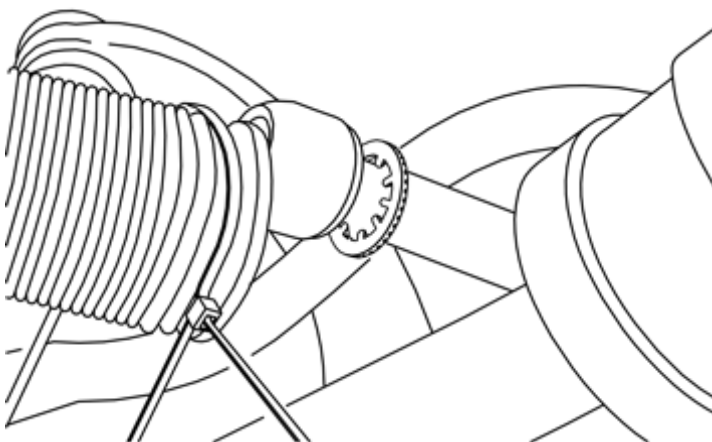
## Illustration A

Turn the spacer washer with the rounded section of the teeth turned in towards the steering gear.

Carefully ease the spacer washer over the steering gear rack.

## Illustration B

8B

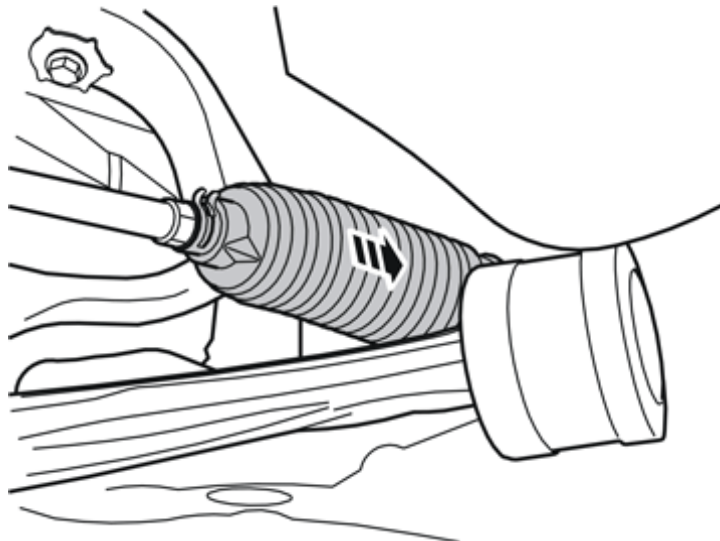


IMG-212640

# Installation instructions, accessories

Volvo Car Corporation Gothenburg, Sweden

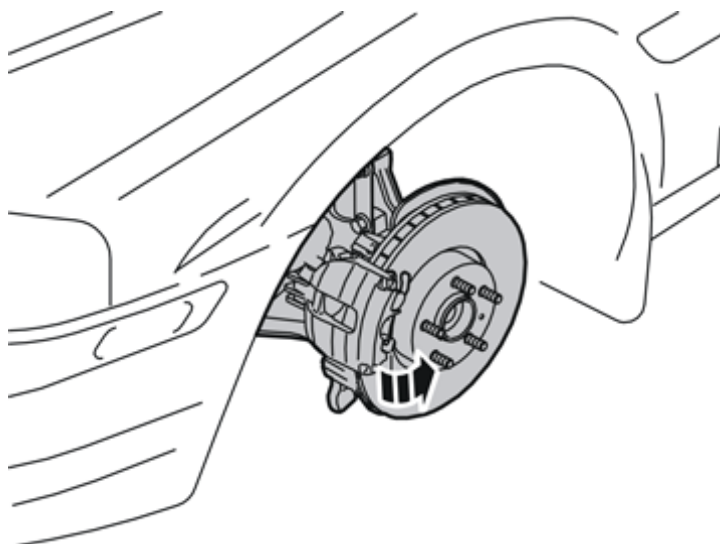
9



J7200275

Reinstall the rubber gaiter in position.

10



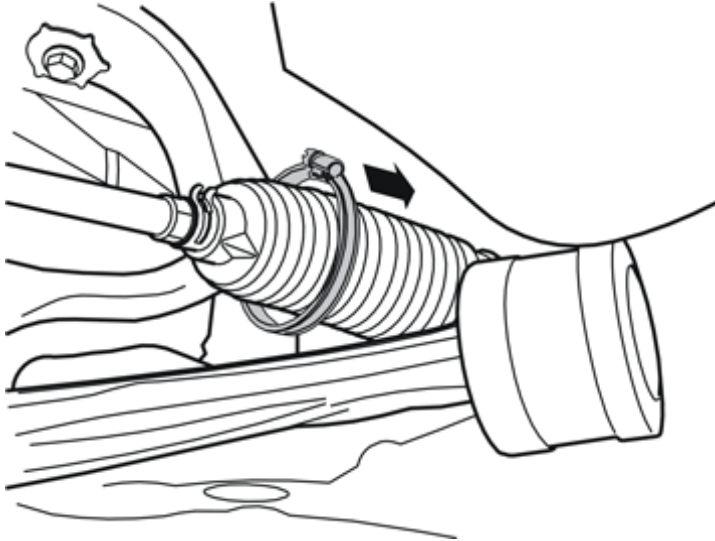
J7200276

Turn the wheels straight forward.

# Installation instructions, accessories

Volvo Car Corporation Gothenburg, Sweden

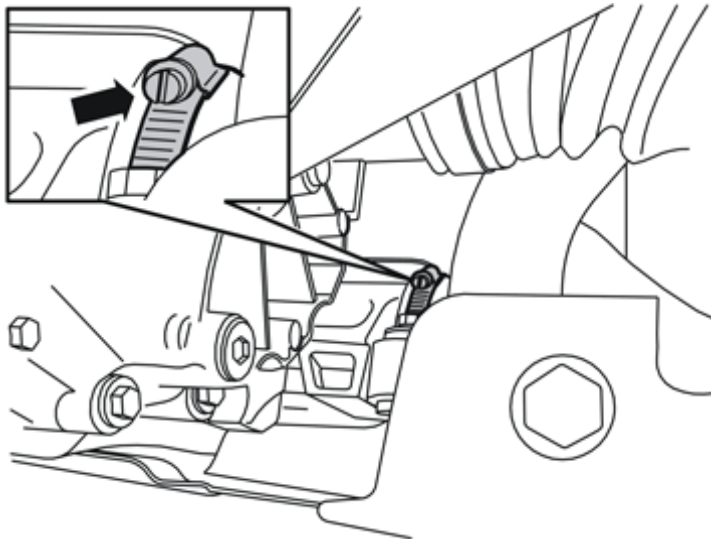
11A



Take a new clip from the kit and secure the rubber gaiter.  
Make sure that the rubber gaiter and the clip are fitted in the correct positions.

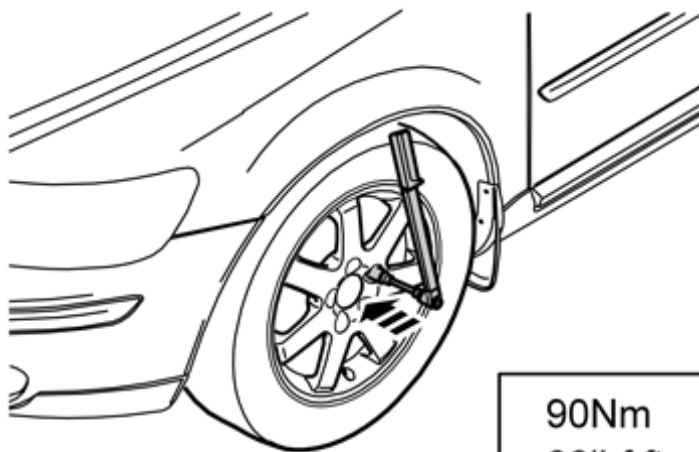
J7200277

11B



J7200268

12



Reinstall the front wheel. Tighten the wheel nuts. Tighten to 90 Nm (66 lbf.ft).  
Repeat the operation on the other side.  
Reinstall the engine splash guard.

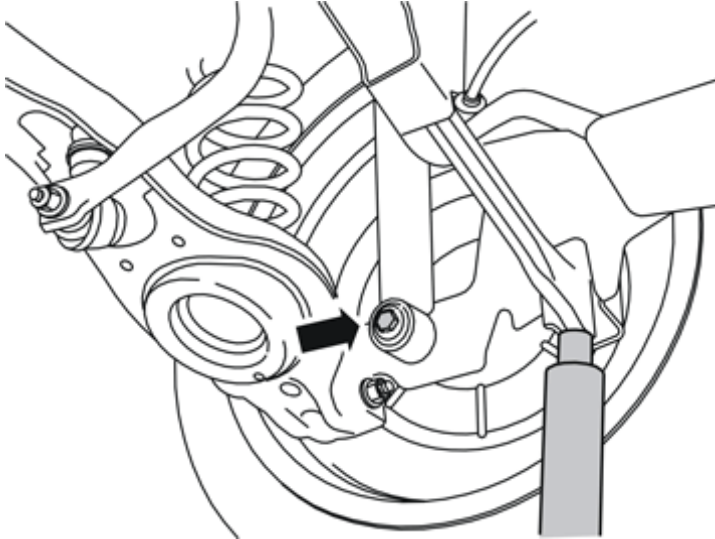
J7700540



# Installation instructions, accessories

Volvo Car Corporation Gothenburg, Sweden

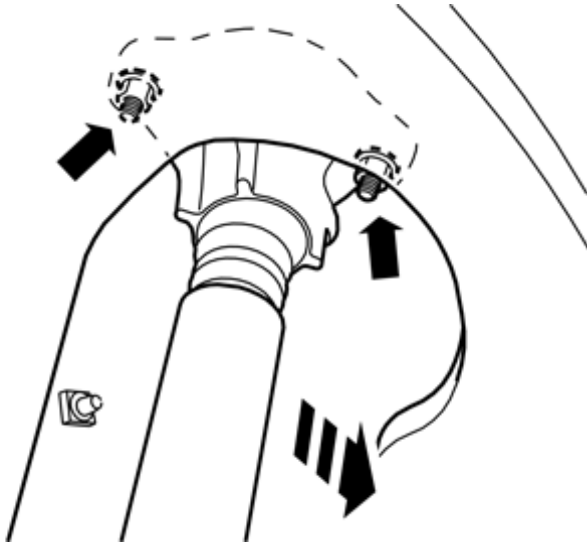
13



Relieve the load on the lower shock absorber mounting and remove the screw.

J7200279

14



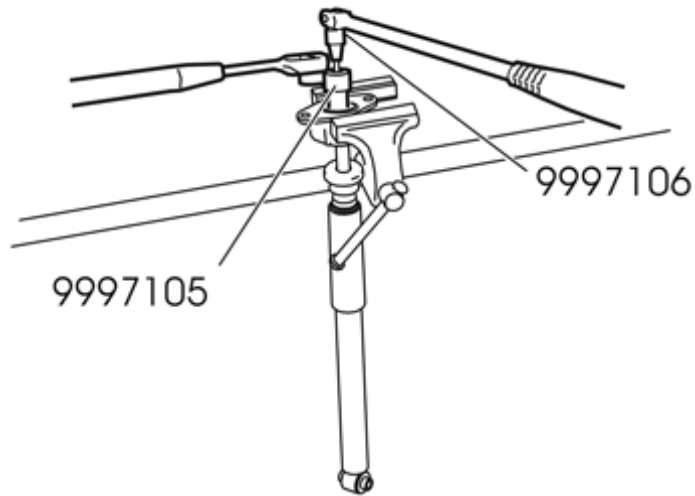
Remove the two screws in the upper shock absorber bearing and remove the shock absorber with bearing.

J7700538

# Installation instructions, accessories

Volvo Car Corporation Gothenburg, Sweden

15

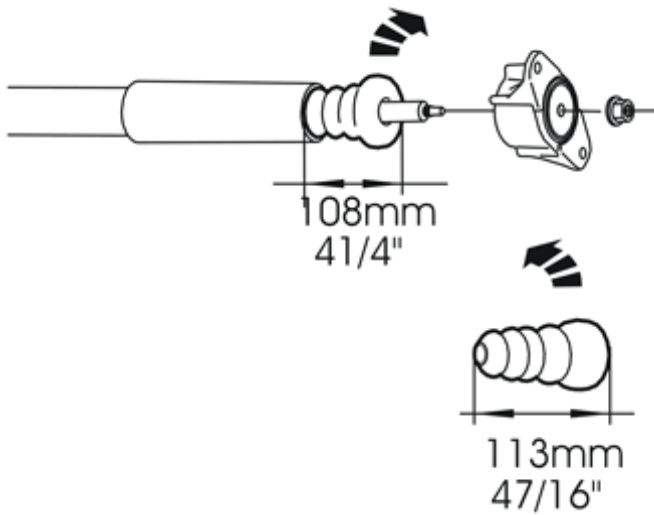


Tension the shock absorber with bearing in a vice.

Remove the bearing from the shock absorber, use special tools, part no. 9997105 and 9997106.

J7200266

16



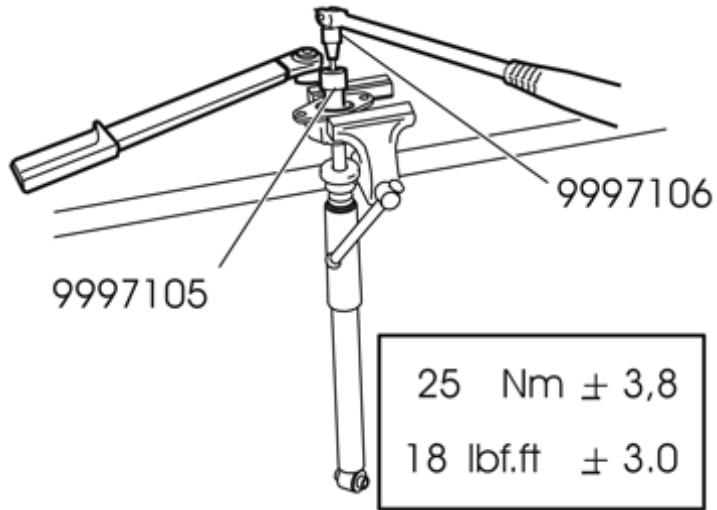
Remove the old rubber bump stop and replace it with a new one from the kit.

J7200270

# Installation instructions, accessories

Volvo Car Corporation Gothenburg, Sweden

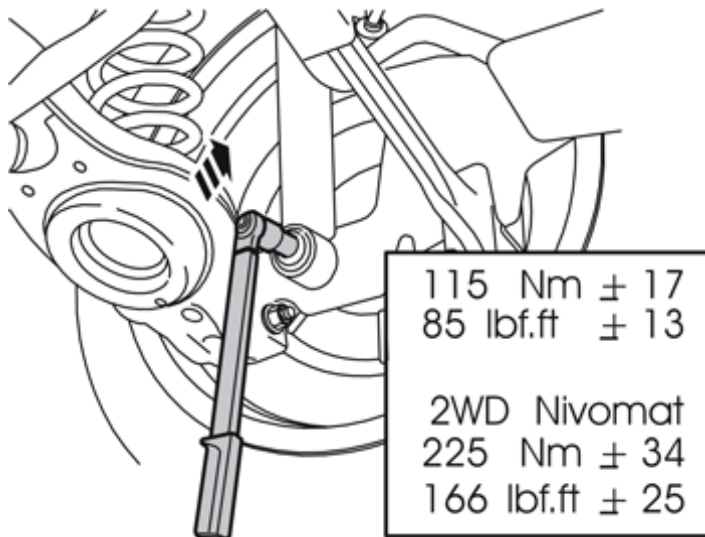
17



Reinstall the upper bearing for the shock absorber and tighten the nut to 25 Nm ± 3.8 (18 lbf.ft ± 3.0).

J7200267

18



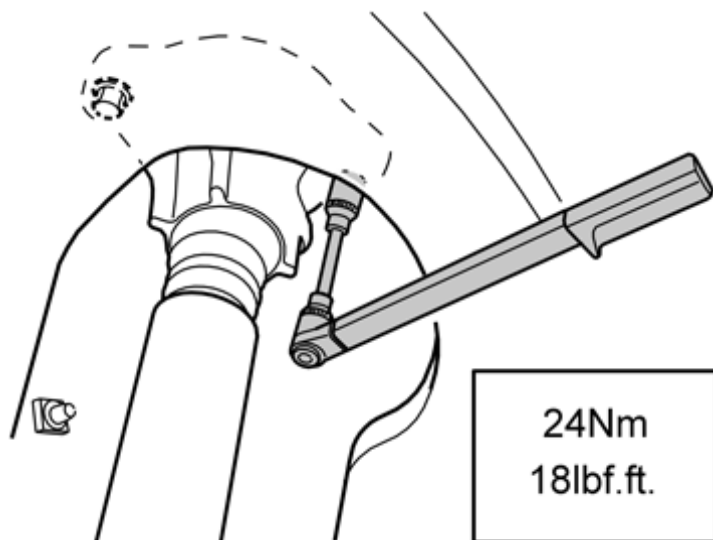
Reinstall the shock absorber in its lower mounting and tighten the screw to 115 Nm ± 17 (85 lbf.ft ± 13). For 2WD Nivomat, the torque on the screw must be 225 Nm ± 34 (166 lbf.ft ± 25).

J7200280

# Installation instructions, accessories

Volvo Car Corporation Gothenburg, Sweden

19



J7700539

Tighten the shock absorber upper bearing to the body and tighten the screws to 24 Nm (18 lbf.ft).

Repeat the operation on the other side.