



# Installation instructions, accessories

Volvo Car Corporation Gothenburg, Sweden

**Instruction No**  
31261688

**Version**  
1.3

**Part. No.**  
31261689

## Mudflaps, front, unpainted sill / Mudflaps, rear



J8903264



# Installation instructions, accessories

Volvo Car Corporation Gothenburg, Sweden

## Equipment



A0000162

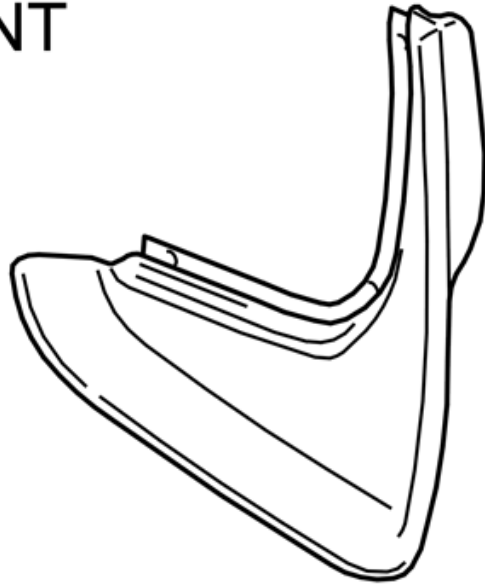
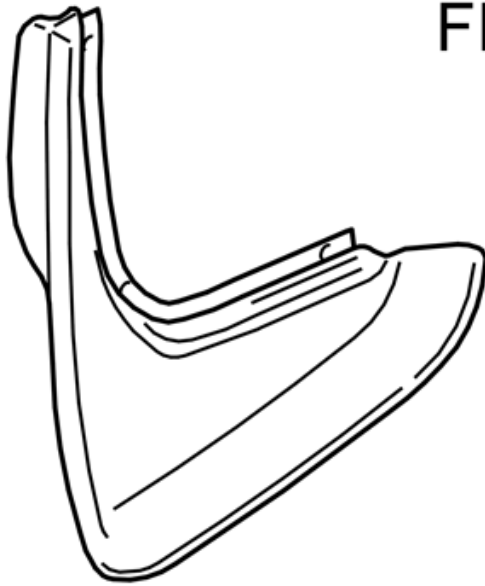


IMG-239660



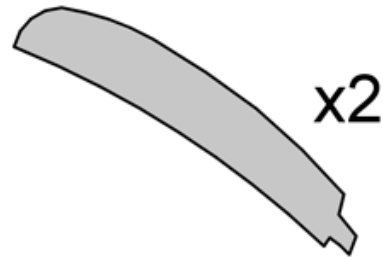
IMG-239940

### FRONT



 x6

 x2



x2

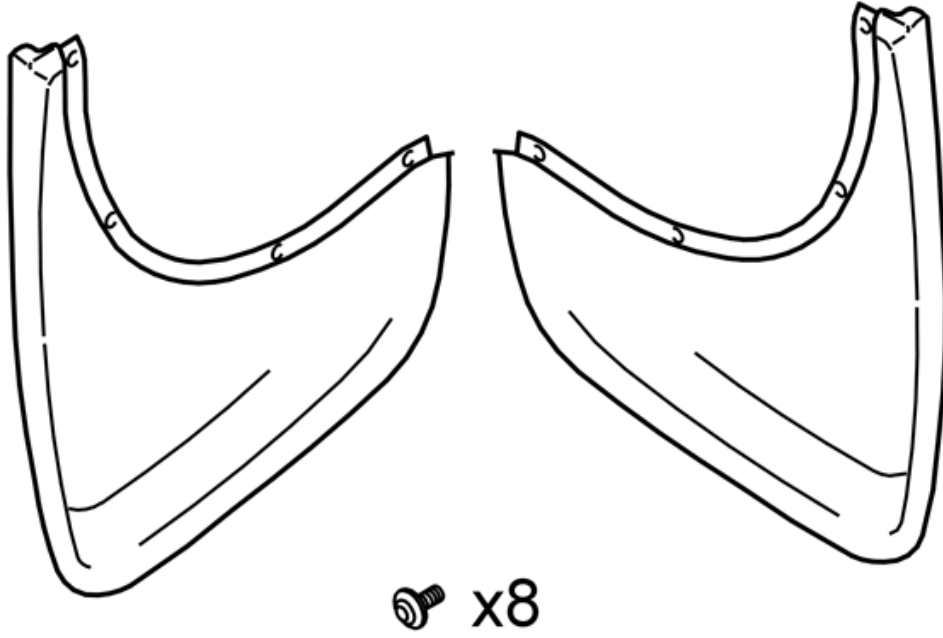
J8903486



# Installation instructions, accessories

Volvo Car Corporation Gothenburg, Sweden

## REAR



J8903487



# Installation instructions, accessories

Volvo Car Corporation Gothenburg, Sweden

Any comments on this publication? Please contact your nearest retailer. Thank You!

Publ.no:	Issue:	Kit no:
Comments:.....		
.....		
.....		
.....		

From:	
Address:	
Telephone:	
Telefax:	

IMG-213320



# Installation instructions, accessories

Volvo Car Corporation Gothenburg, Sweden

## INTRODUCTION

Read through all of the instructions before starting installation.

Notifications and warning texts are for your safety and to minimise the risk of something breaking during installation.

Ensure that all tools stated in the instructions are available before starting installation.

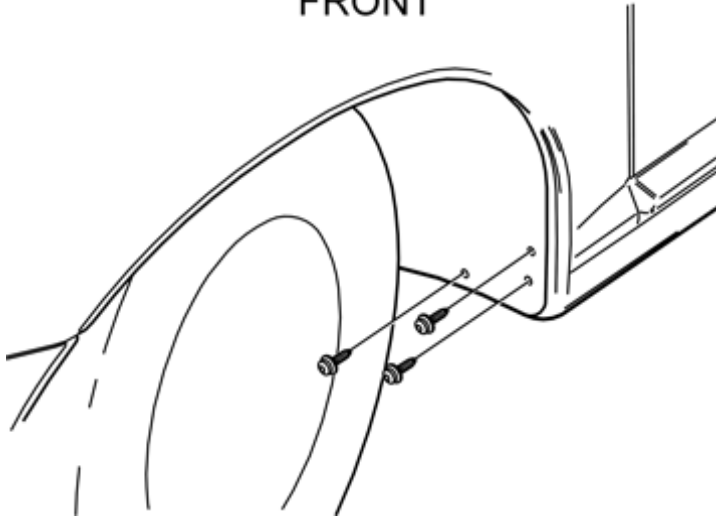
Certain steps in the instructions are only presented in the form of images. Explanatory text is also given for more complicated steps.

In the event of any problems with the instructions or the accessory, contact your local Volvo dealer.

## Installing front mudguard

1

FRONT



J8903491

## Installing front mudguard

Turn the wheels to the left

Clean the area at the rear edge of the wing liner where the mudguard will be positioned

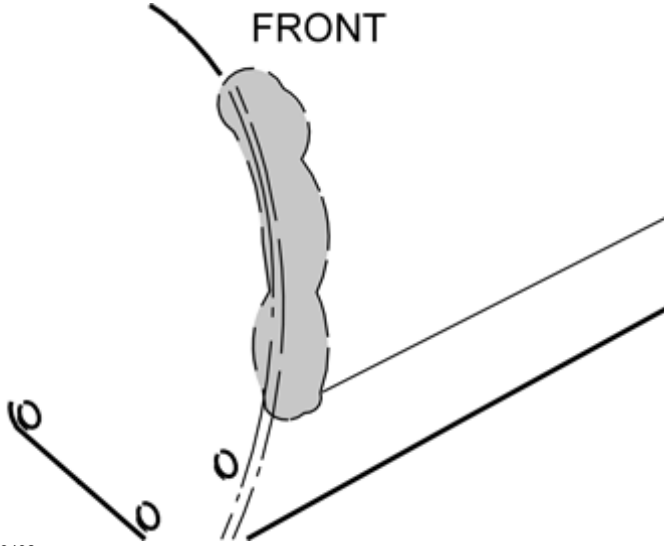
Remove the three screws holding the wing liner to the body. Place the screws to one side. New screws are supplied in the kit.



# Installation instructions, accessories

Volvo Car Corporation Gothenburg, Sweden

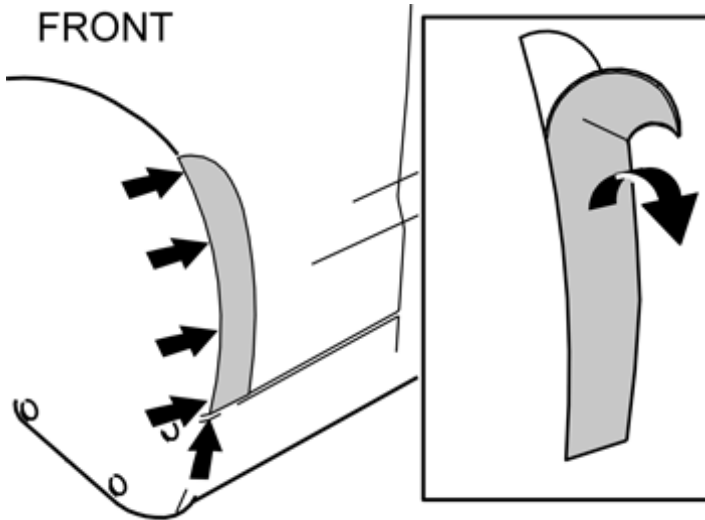
2



Clean the marked surface at the rear edge of the front wing. Use a mixture of 30% windscreen washer fluid and 70% water. Wipe dry.

J8903492

3



Remove the backing from the masking tape

Secure the masking tape at the front edge on the front wing. Position the tape just inside the curve of the front wing as illustrated

Secure along the entire front edge first. Then securely press backwards. Puncture any air bubbles using a needle

Press the masking tape into place firmly.

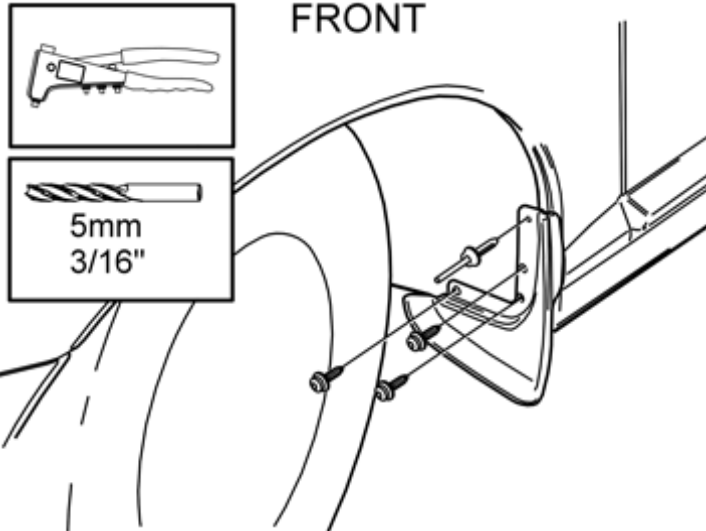
J8601115



# Installation instructions, accessories

Volvo Car Corporation Gothenburg, Sweden

4



J8903493

Clean around the screw holes in the rear edge of the wing liner

Take the mudguard, new screws and rivet from the kit. Tighten the mudguard to the wing liner and body

Drill a hole through the upper hole in the mudguard and into the wing liner. Use a 5 mm (3/16") diameter drill bit

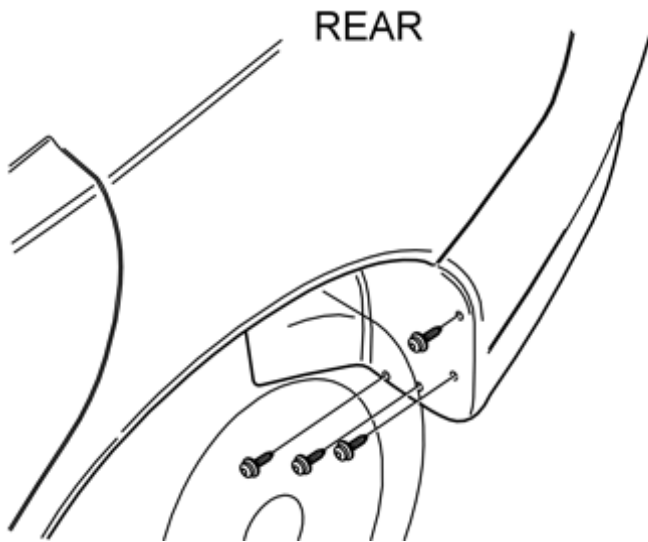
Remove any swarf

Rivet the upper mounting of the mudguard to the wing liner

Repeat the above points on the other side.

## Installing rear mudguard

5



J8903278

## Installing rear mudguard

Clean the area at the rear edge of the wing liner where the mudguard will be positioned

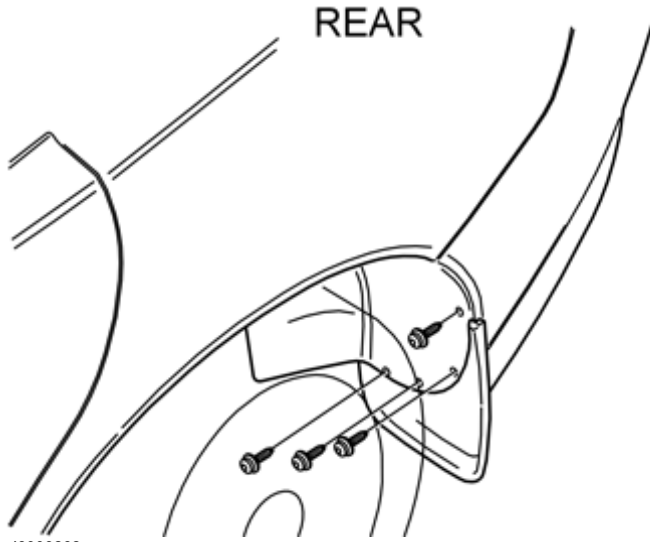
Remove the four screws holding the wing liner to the bumper cover. Place the screws to one side. New screws are supplied in the kit.



# Installation instructions, accessories

Volvo Car Corporation Gothenburg, Sweden

6



J8903262

- Clean around the screw holes in the rear edge of the wing liner
- Take the mudguard and the new screws from the kit. Tighten the mudguard to the wing liner and the bumper cover
- Repeat the above points on the other side.