



Installation instructions, accessories

Volvo Car Corporation Gothenburg, Sweden

Instruction No	Version	Part. No.
31414369	1.0	31357076

Infotainment, display upgrade

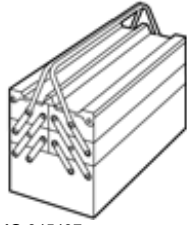


Installation instructions, accessories

Volvo Car Corporation Gothenburg, Sweden

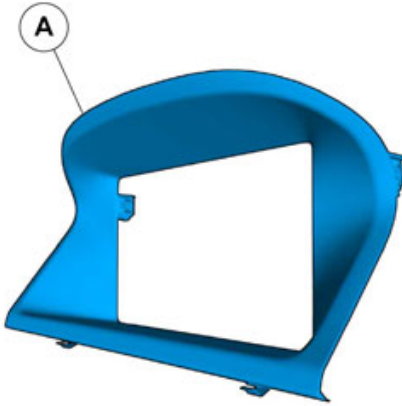
Equipment

VIDA

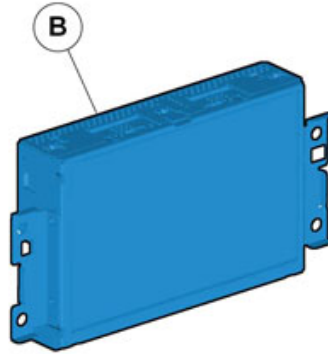


IMG-242205

IMG-345497



IMG-379206





Installation instructions, accessories

Volvo Car Corporation Gothenburg, Sweden

Information

1

Read through all of the instructions before starting installation.

Notifications and warning texts are for your safety and to minimise the risk of something breaking during installation.

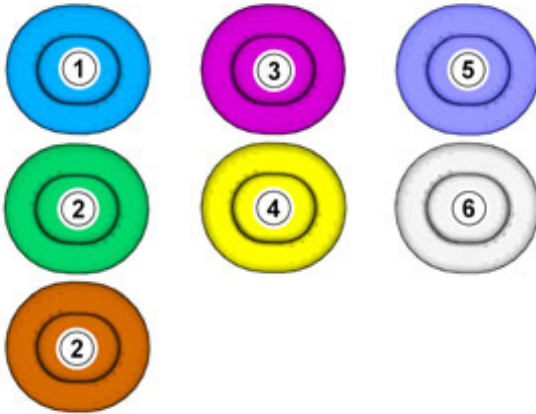
Ensure that all tools stated in the instructions are available before starting installation.

Certain steps in the instructions are only presented in the form of images. Explanatory text is also given for more complicated steps.

In the event of any problems with the instructions or the accessory, contact your local Volvo dealer.

Color symbols

2



Note!

This colour chart displays (in colour print and electronic version) the importance of the different colours used in the images of the method steps.

1. Used for focused component, the component with which you will do something.
2. Used as extra colors when you need to show or differentiate additional parts.
3. Used for attachments that are to be removed/installed. May be screws, clips, connectors, etc.
4. Used when the component is not fully removed from the vehicle but only hung to the side.
5. Used for standard tools and special tools.
6. Used as background color for vehicle components.

IMG-363036

Removal



Installation instructions, accessories

Volvo Car Corporation Gothenburg, Sweden

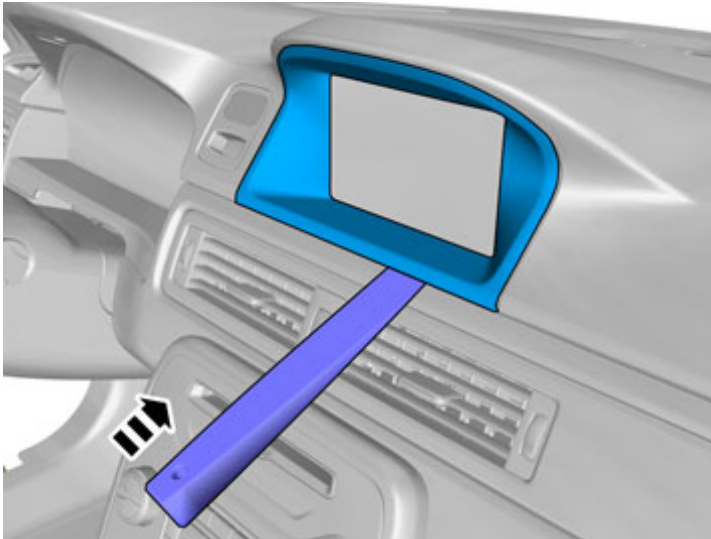
3

Set the ignition key to position 0.



IMG-332193

4



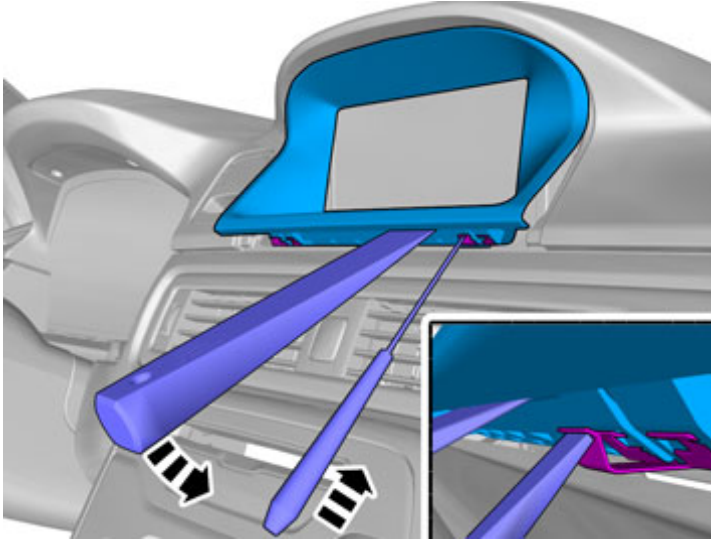
IMG-354616



Installation instructions, accessories

Volvo Car Corporation Gothenburg, Sweden

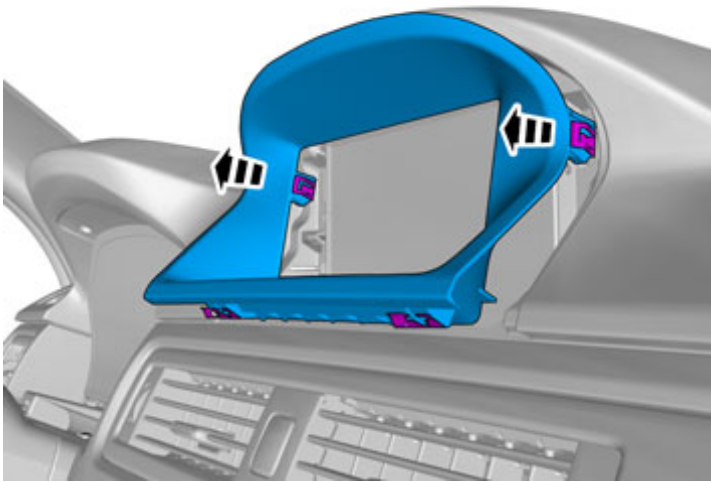
5



IMG-354618

6

Remove the panel.



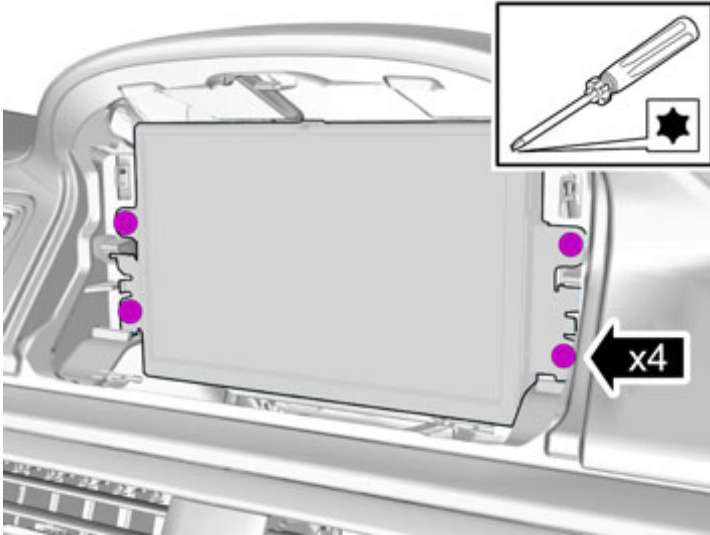
IMG-354649



Installation instructions, accessories

Volvo Car Corporation Gothenburg, Sweden

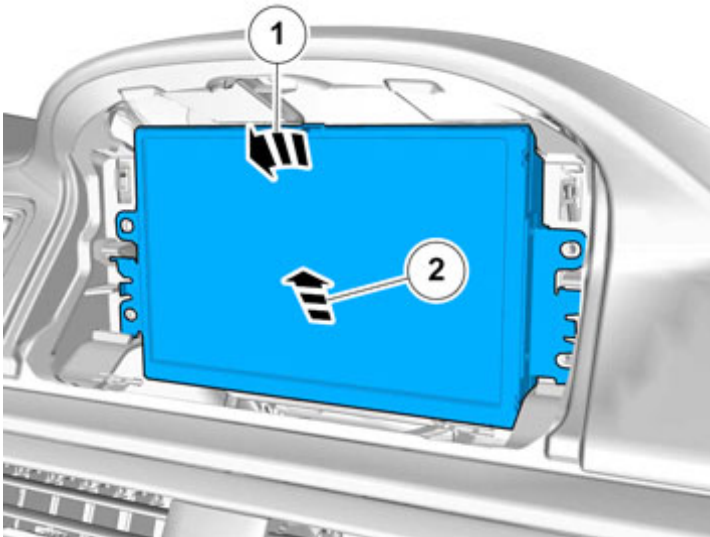
7



IMG-370585

Remove the screws.

8



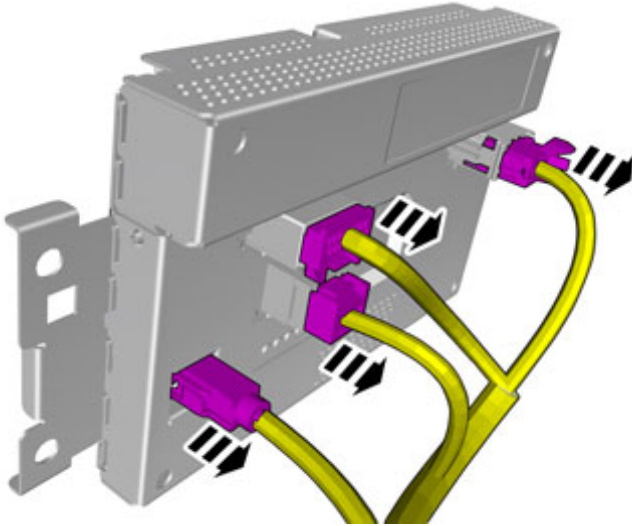
IMG-370584



Installation instructions, accessories

Volvo Car Corporation Gothenburg, Sweden

9



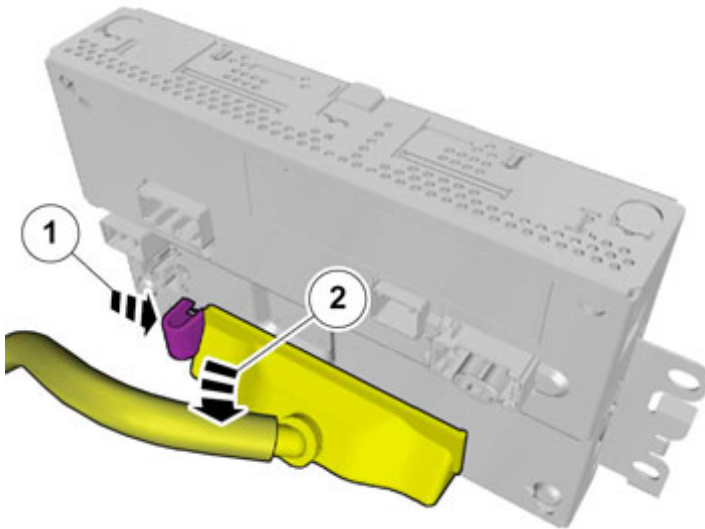
IMG-346175

Caution!

The number of connectors can vary depending on the vehicle's equipment level.

Disconnect the connectors.

10



IMG-349903

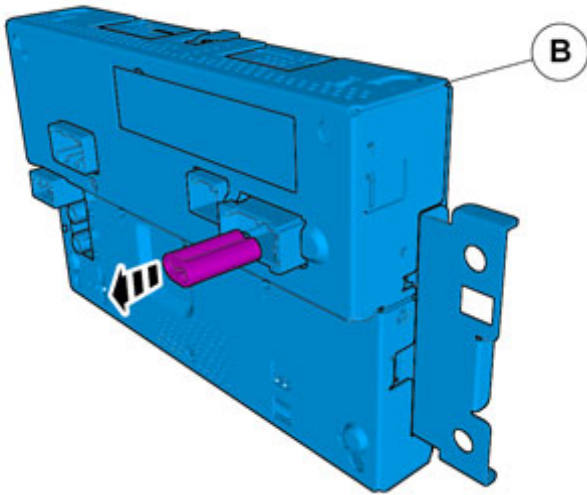
Accessory installation



Installation instructions, accessories

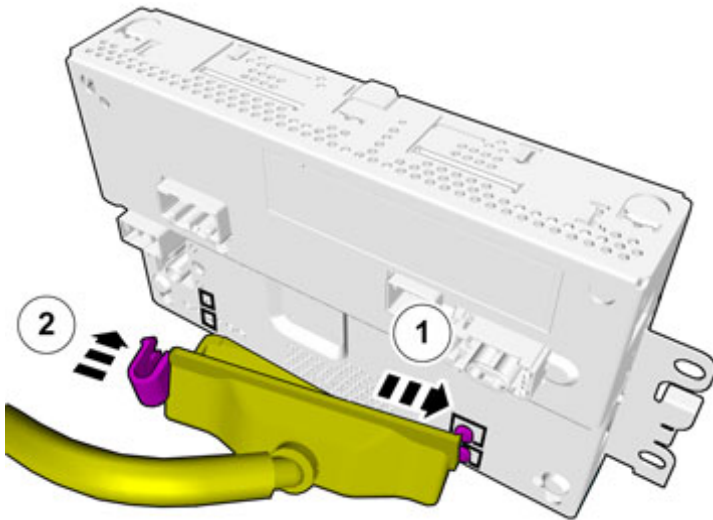
Volvo Car Corporation Gothenburg, Sweden

11



IMG-370588

12



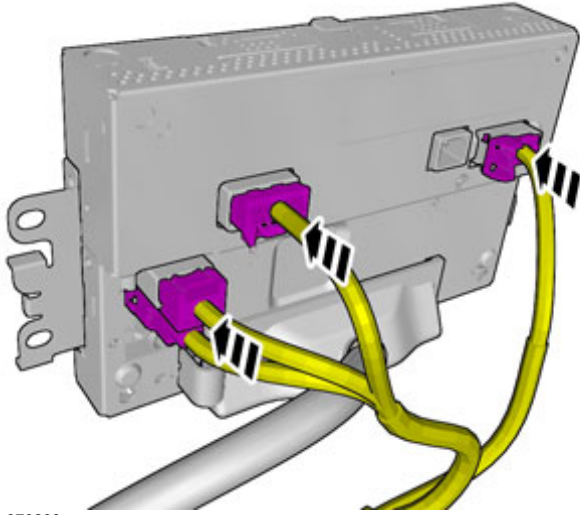
IMG-369406



Installation instructions, accessories

Volvo Car Corporation Gothenburg, Sweden

13



IMG-379208

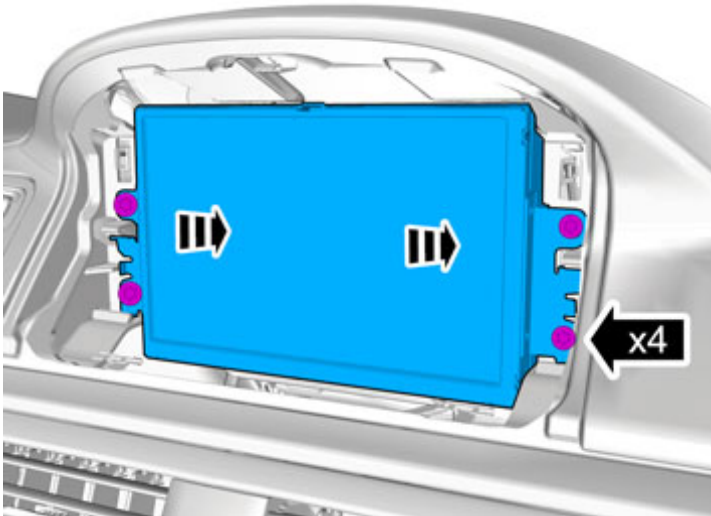
Note!

The number of connectors may vary depending on the vehicle's equipment level.

Connect the prerouted cable.

Connect the connectors.

14



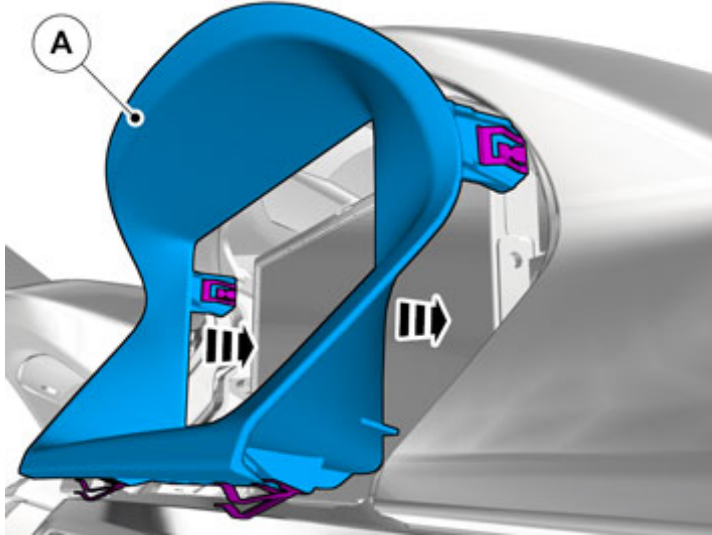
IMG-349904



Installation instructions, accessories

Volvo Car Corporation Gothenburg, Sweden

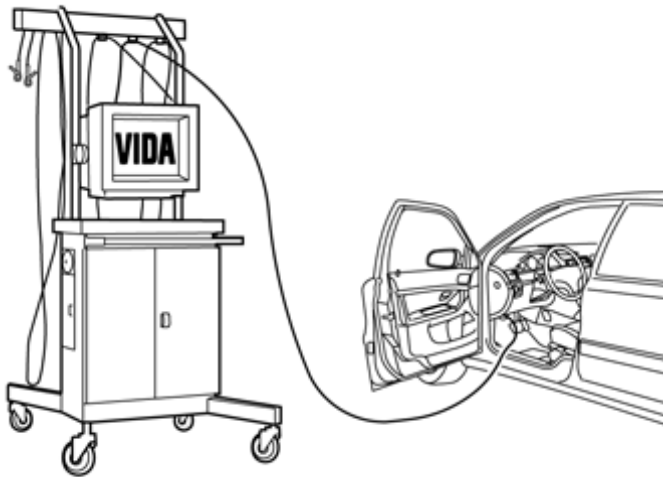
15



IMG-349906

Install component that comes with the accessory kit.

16



IMG-242268

Download software (application) for the accessory's function according to the service information in VIDA. See VIDA or the accessories catalogue for software part number.

Order and download software according to: 31339957