



# Installation instructions, accessories

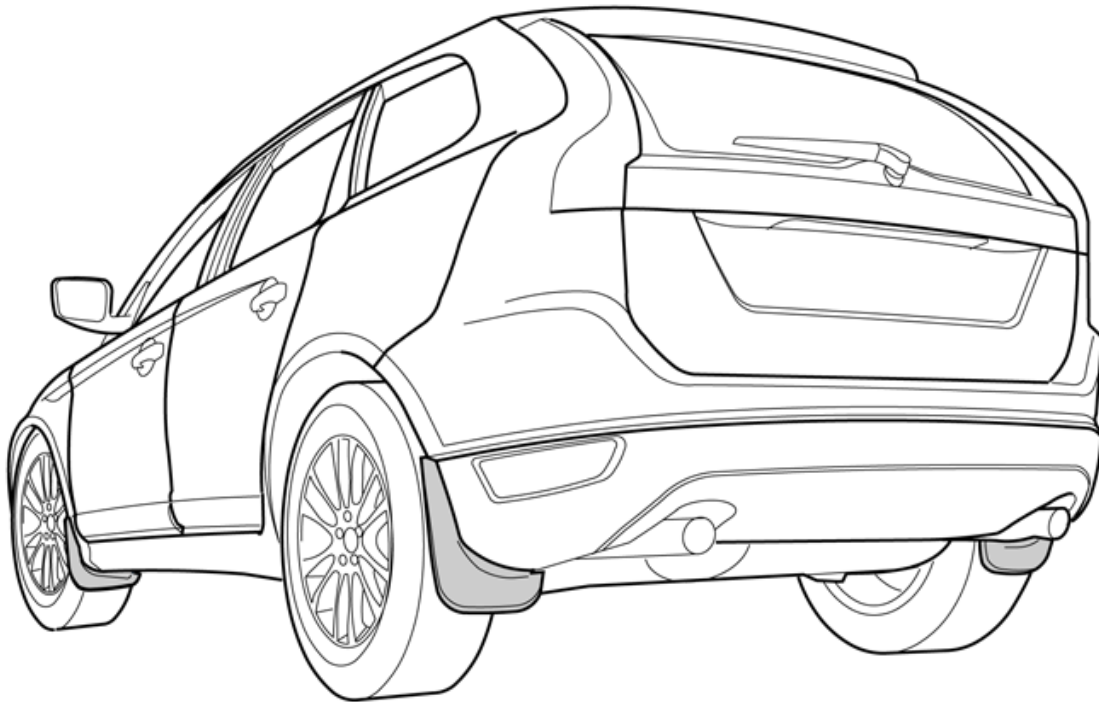
Volvo Car Corporation Gothenburg, Sweden

**Instruction No**  
31213740

**Version**  
1.4

**Part. No.**  
30779760, 30779759

## Mudflaps



IMG-281763



# Installation instructions, accessories

Volvo Car Corporation Gothenburg, Sweden

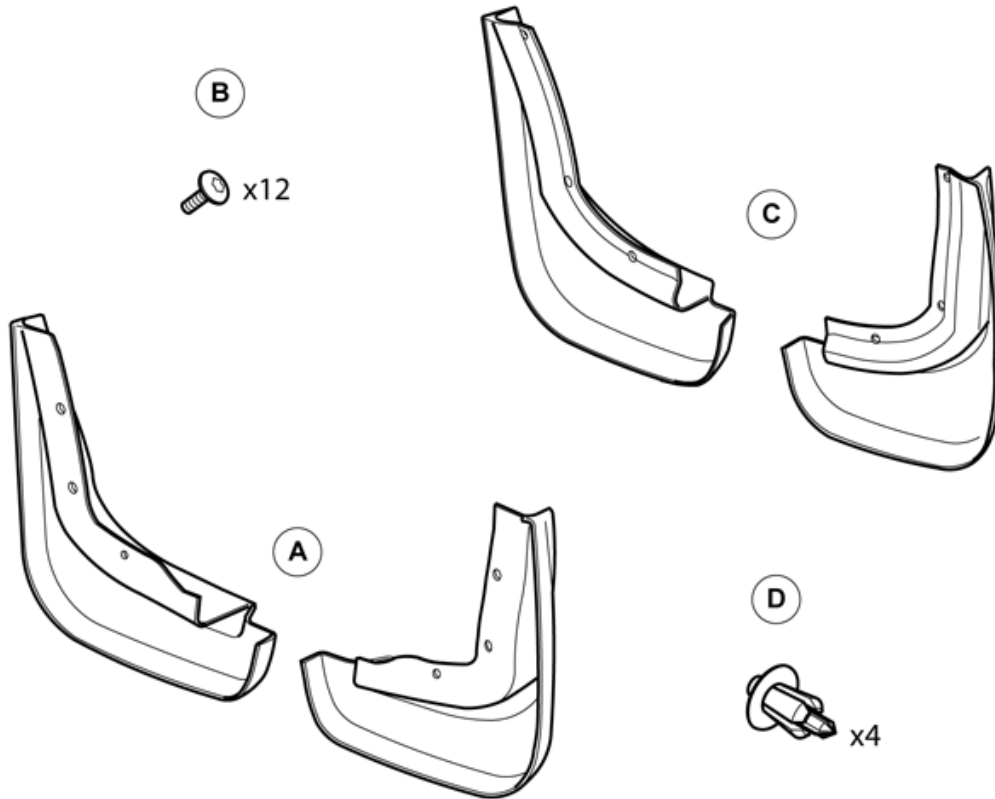
## Equipment



IMG-268803



IMG-239660



IMG-281764



# Installation instructions, accessories

Volvo Car Corporation Gothenburg, Sweden

Any comments on this publication? Please contact your nearest retailer. Thank You!

Publ.no:	Issue:	Kit no:
Comments:.....		
.....		
.....		
.....		

From:	
Address:	
Telephone:	
Telefax:	

IMG-213320



# Installation instructions, accessories

Volvo Car Corporation Gothenburg, Sweden

## INTRODUCTION

Read through all of the instructions before starting installation.

Notifications and warning texts are for your safety and to minimise the risk of something breaking during installation.

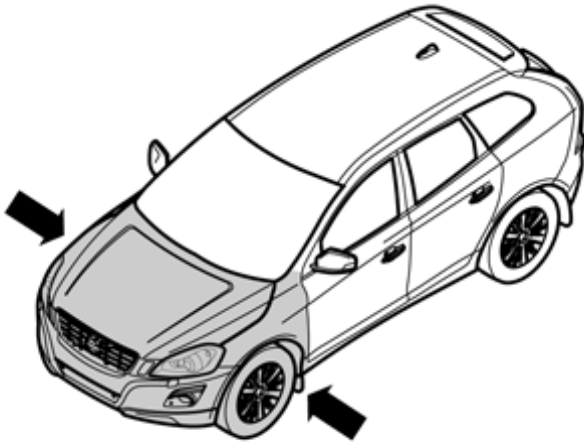
Ensure that all tools stated in the instructions are available before starting installation.

Certain steps in the instructions are only presented in the form of images. Explanatory text is also given for more complicated steps.

In the event of any problems with the instructions or the accessory, contact your local Volvo dealer.

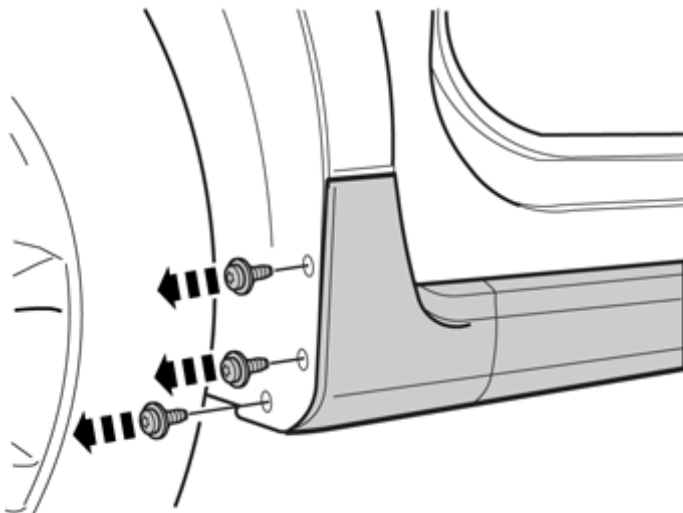
1

### Installation of front mudflaps



IMG-285504

2



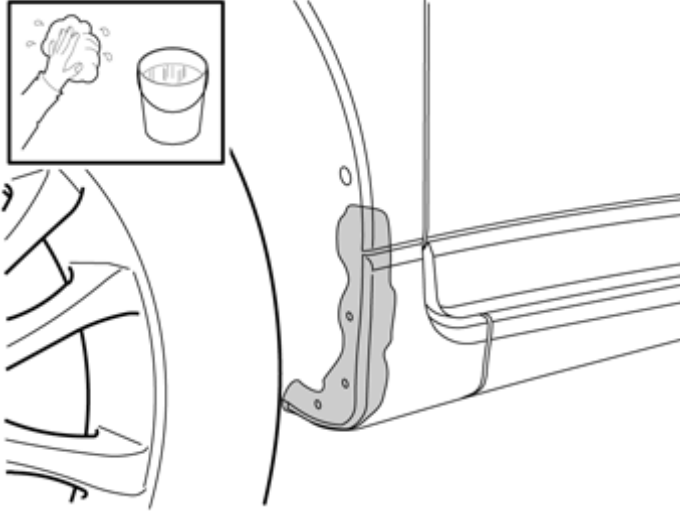
IMG-285505



# Installation instructions, accessories

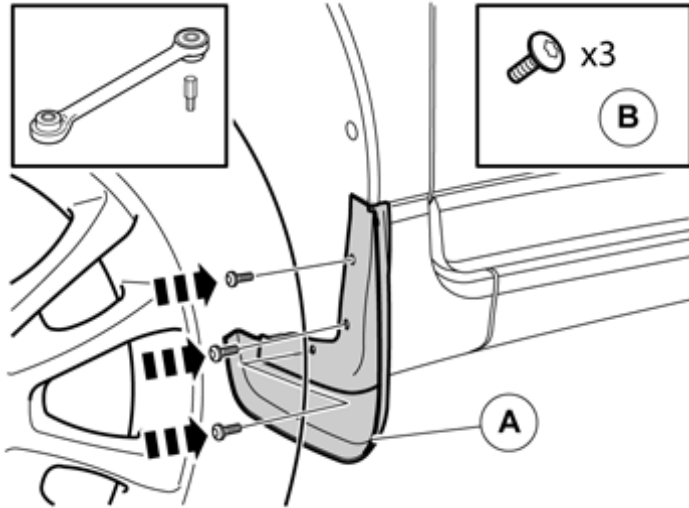
Volvo Car Corporation Gothenburg, Sweden

3



IMG-285507

4



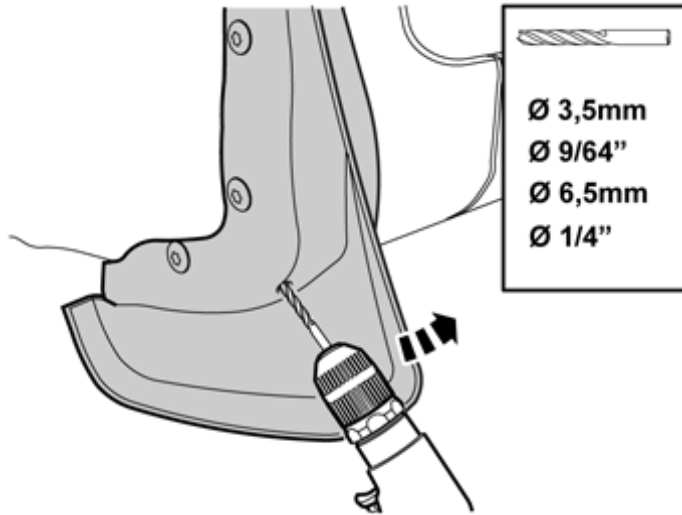
IMG-285510



# Installation instructions, accessories

Volvo Car Corporation Gothenburg, Sweden

5



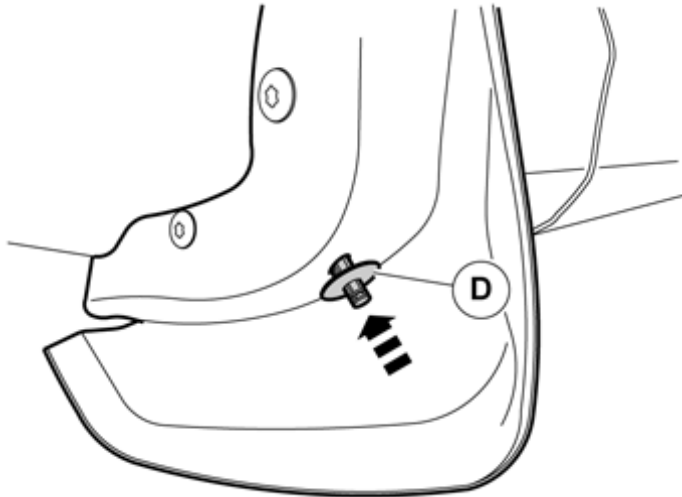
Bend the mudflap backwards and drill a 3.5 mm (9/64") hole in the marking underneath.

Drill out the hole using a 6.5 mm (1/4") drill bit.

Clean the hole edges.

IMG-290443

6



Take a clip from the kit and press into the hole.

IMG-290444



# Installation instructions, accessories

Volvo Car Corporation Gothenburg, Sweden

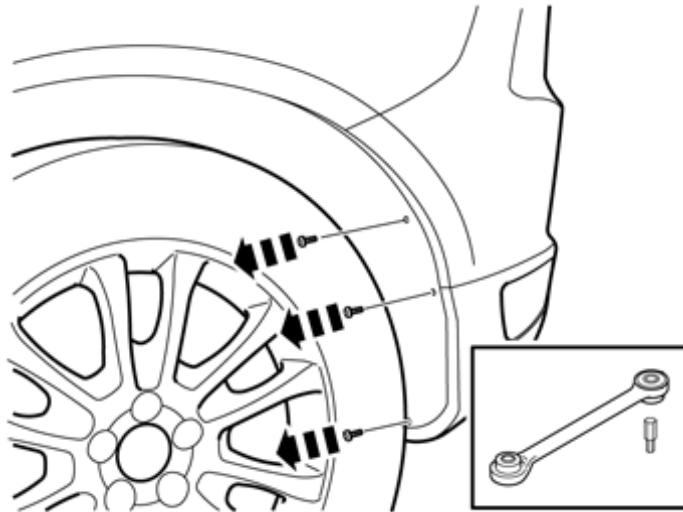
7

## Installation of rear mudflaps



IMG-281783

8



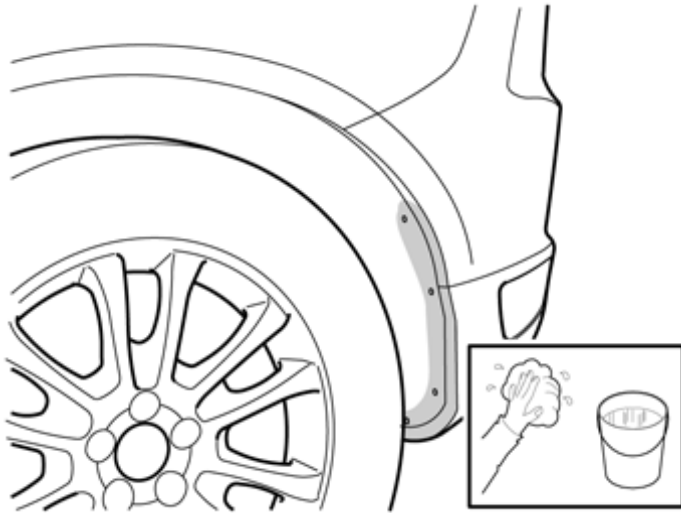
IMG-281766



# Installation instructions, accessories

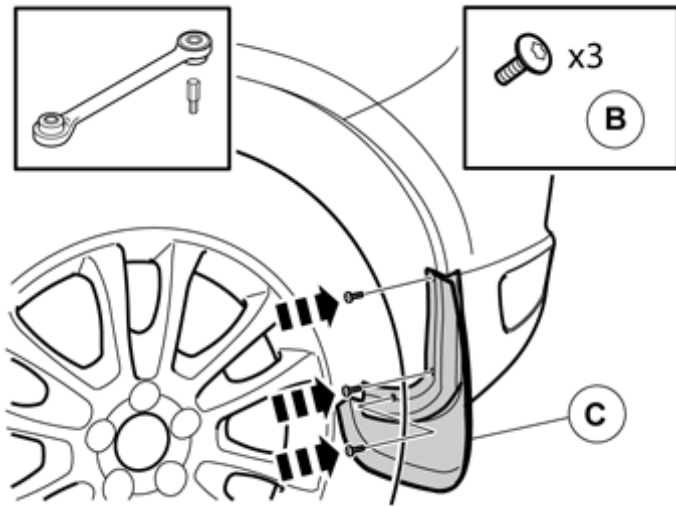
Volvo Car Corporation Gothenburg, Sweden

9



IMG-281767

10



IMG-281768

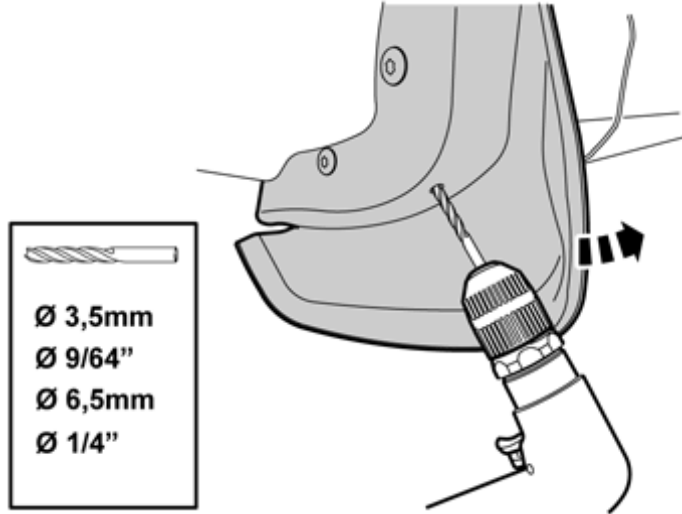




# Installation instructions, accessories

Volvo Car Corporation Gothenburg, Sweden

11



IMG-290445

Bend the mudflap backwards and drill a 3.5 mm (9/64") hole in the marking underneath.

Drill out the hole using a 6.5 mm (1/4") drill bit.

Clean the hole edges.

12



Take a clip from the kit and pull out the central pin.

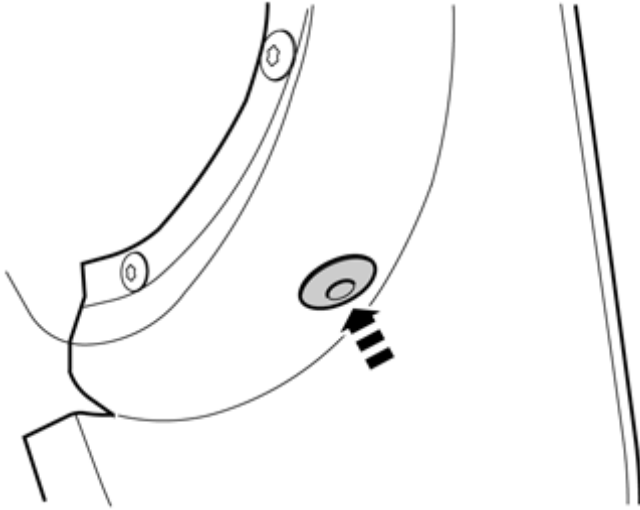
IMG-290446



# Installation instructions, accessories

Volvo Car Corporation Gothenburg, Sweden

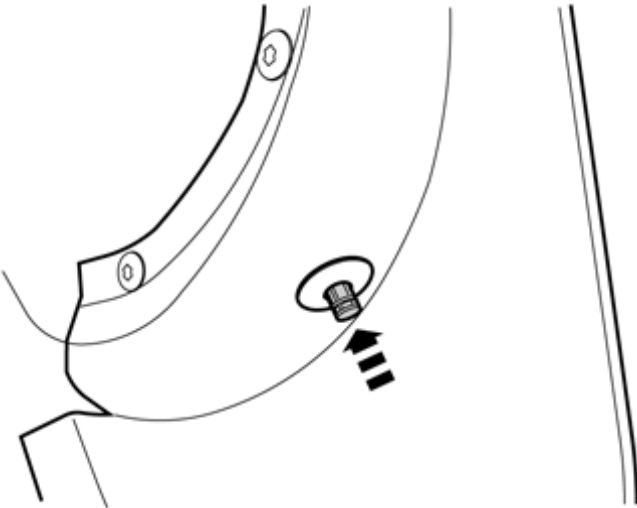
13



IMG-290447

Press the clip into the hole.

14



IMG-290449

Press the central pin into the clip.