

Installation instructions, accessories

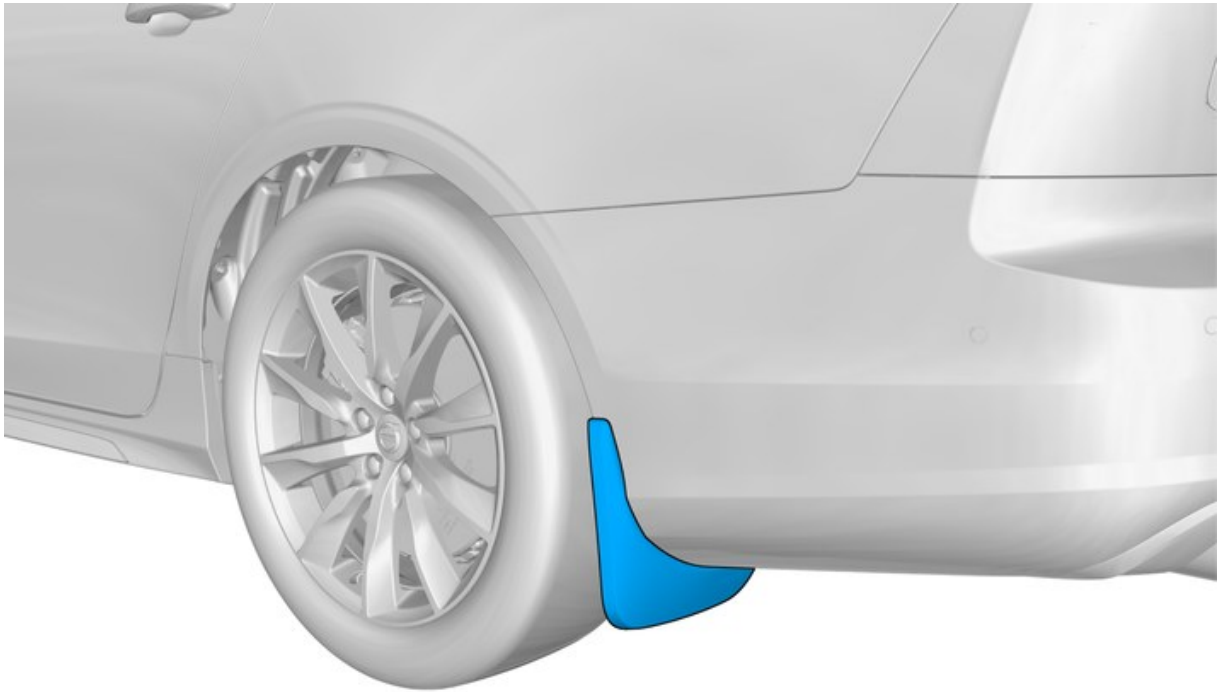
Volvo Car Corporation Gothenburg, Sweden

Instruction No
31454839

Version
1.0

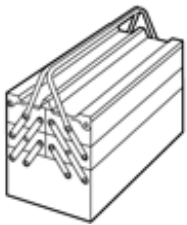
Part. No.
31439244

Mudflaps, rear



IMG-409585

Equipment



IMG-345497



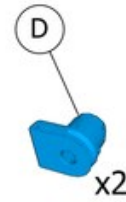
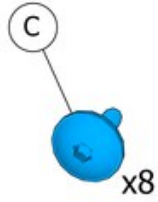
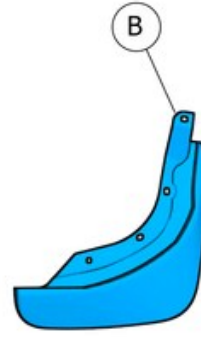
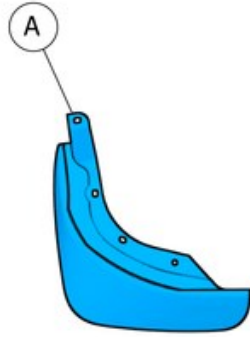
IMG-268803



IMG-239981

Installation instructions, accessories

Volvo Car Corporation Gothenburg, Sweden



IMG-409510

Installation instructions, accessories

Volvo Car Corporation Gothenburg, Sweden

Information

1

Read through all of the instructions before starting installation.

Notifications and warning texts are for your safety and to minimise the risk of something breaking during installation.

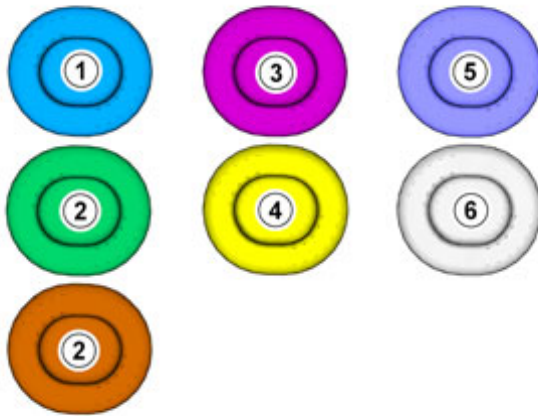
Ensure that all tools stated in the instructions are available before starting installation.

Certain steps in the instructions are only presented in the form of images. Explanatory text is also given for more complicated steps.

In the event of any problems with the instructions or the accessory, contact your local Volvo dealer.

Color symbols

2



IMG-363036

Note!

This colour chart displays (in colour print and electronic version) the importance of the different colours used in the images of the method steps.

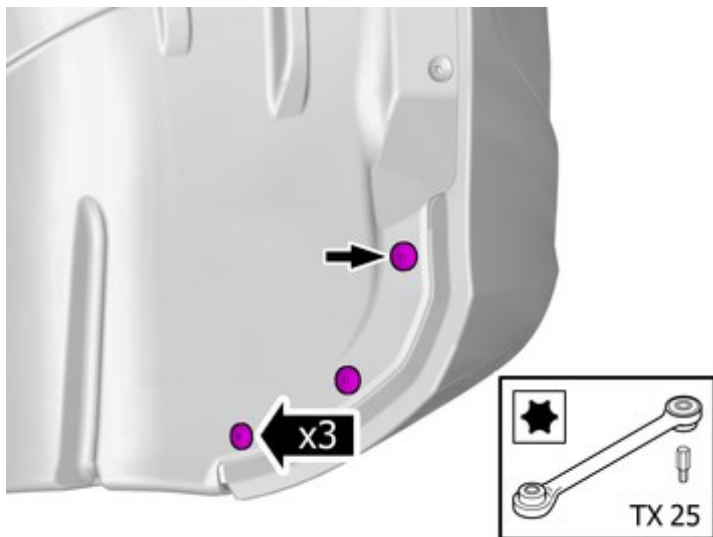
1. Used for focused component, the component with which you will do something.
 2. Used as extra colors when you need to show or differentiate additional parts.
 3. Used for attachments that are to be removed/installed. May be screws, clips, connectors, etc.
 4. Used when the component is not fully removed from the vehicle but only hung to the side.
 5. Used for standard tools and special tools.
 6. Used as background color for vehicle components.
-

Removal

Installation instructions, accessories

Volvo Car Corporation Gothenburg, Sweden

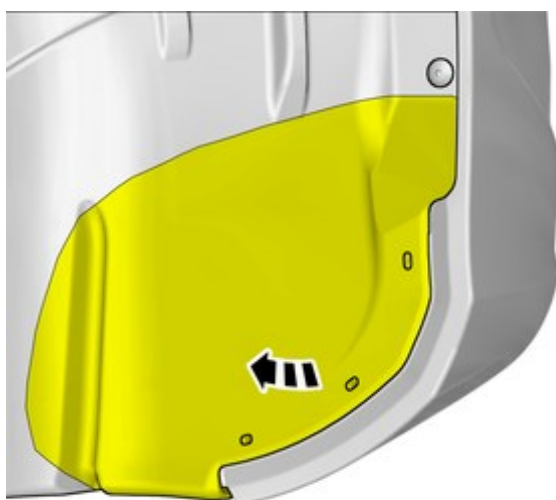
3



IMG-409505

Loosen the screws.

4



IMG-409575

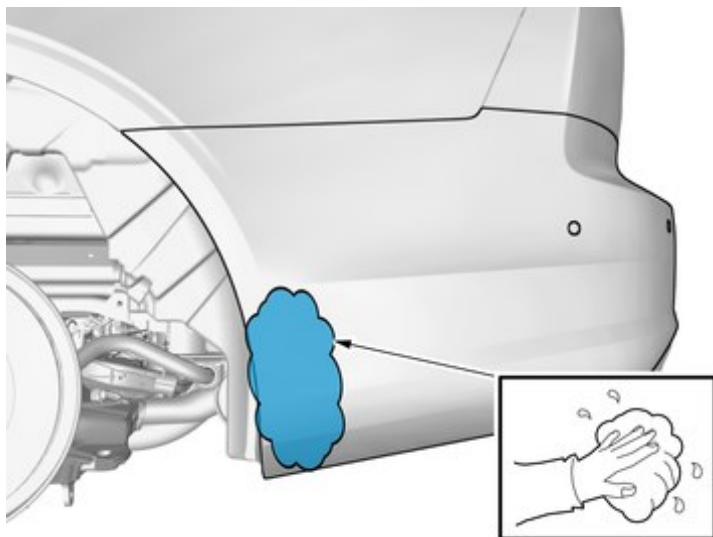
Fold the wing liner aside.

Preparation

Installation instructions, accessories

Volvo Car Corporation Gothenburg, Sweden

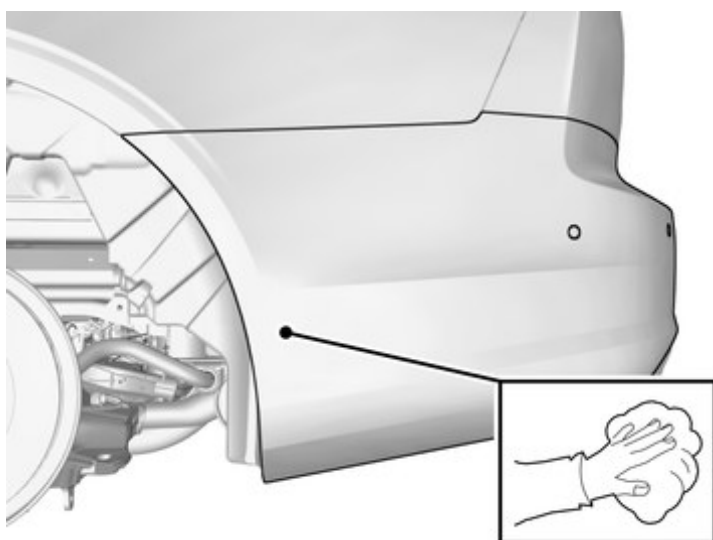
5



IMG-410400

Wipe off

6



IMG-410401

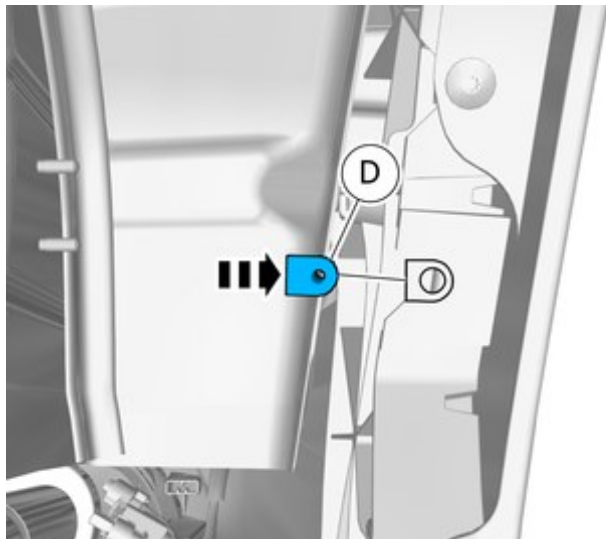
Wipe dry.

Accessory installation

Installation instructions, accessories

Volvo Car Corporation Gothenburg, Sweden

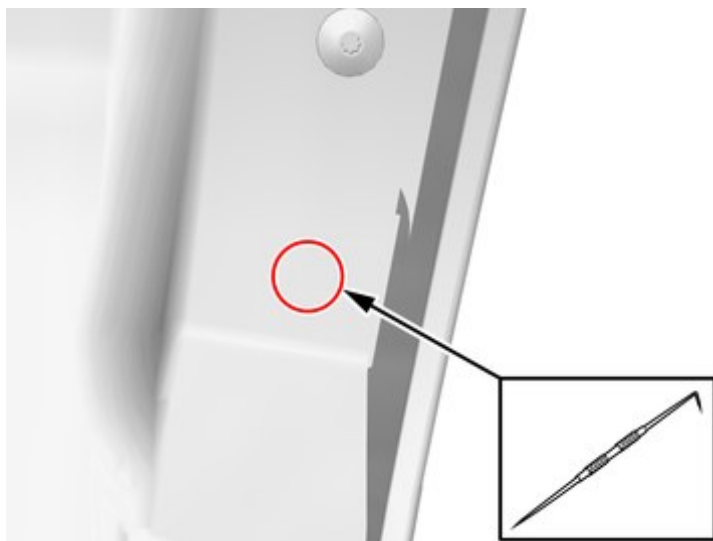
7



IMG-409580

Place the component where indicated in the graphic.

8



IMG-409581

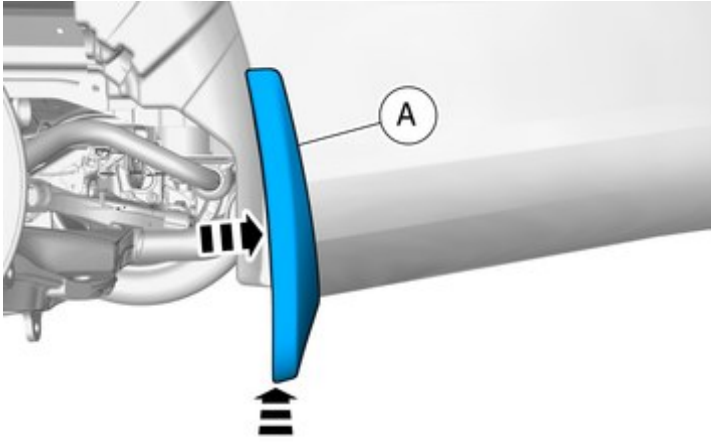
Locate the existing holes.

Make a hole, using the tool indicated.

Installation instructions, accessories

Volvo Car Corporation Gothenburg, Sweden

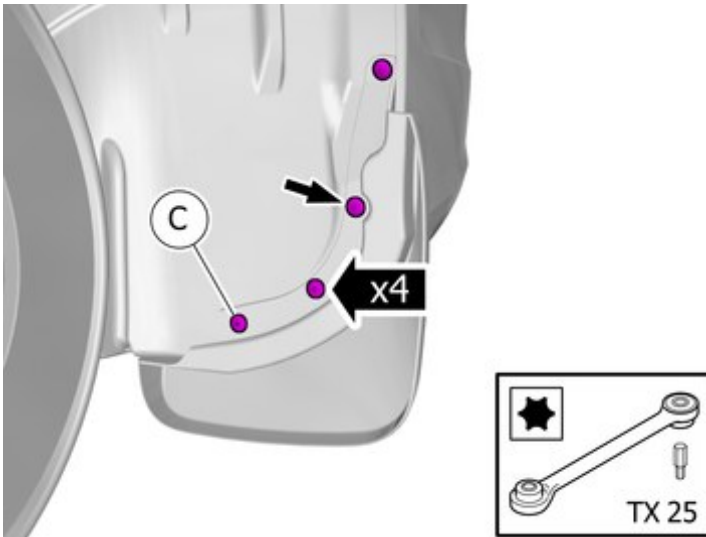
9



Place the component where indicated in the graphic.

IMG-409582

10



Install component that comes with the accessory kit.

Tighten the bolts.

IMG-409583

11

Repeat all method steps for the other side.