

Installation instructions, accessories

Volvo Car Corporation Gothenburg, Sweden

Instruction No
31373812

Version
1.1

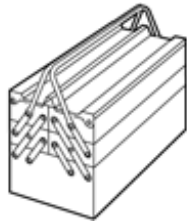
Part. No.
32204200, 32204199, 31428806, 31428805, 31428586, 31428585, 31373808, 31373807

Parking assistance, camera, rear

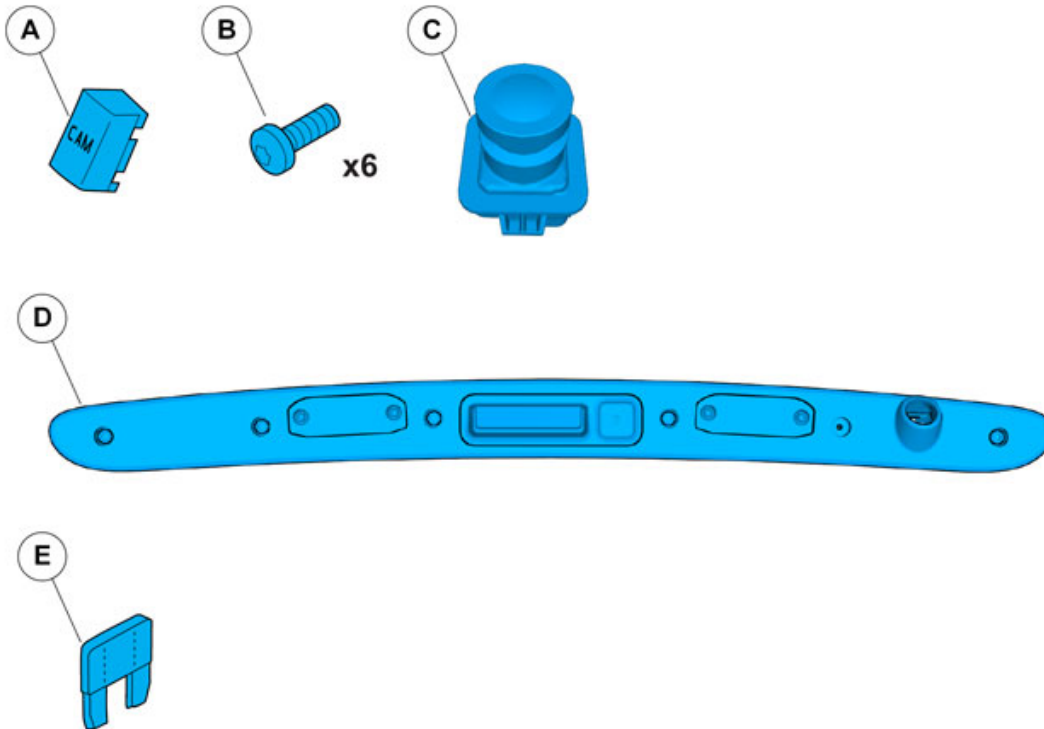
Equipment

VIDA

IMG-242205



IMG-345497



IMG-381023

Installation instructions, accessories

Volvo Car Corporation Gothenburg, Sweden

36648-2
Parking assistance, camera, rear

Information

-
- 1
- Read through all of the instructions before starting installation.
- Notifications and warning texts are for your safety and to minimise the risk of something breaking during installation.
- Ensure that all tools stated in the instructions are available before starting installation.
- Certain steps in the instructions are only presented in the form of images. Explanatory text is also given for more complicated steps.
- In the event of any problems with the instructions or the accessory, contact your local Volvo dealer.

Removal

2



IMG-332193

Installation instructions, accessories

Volvo Car Corporation Gothenburg, Sweden

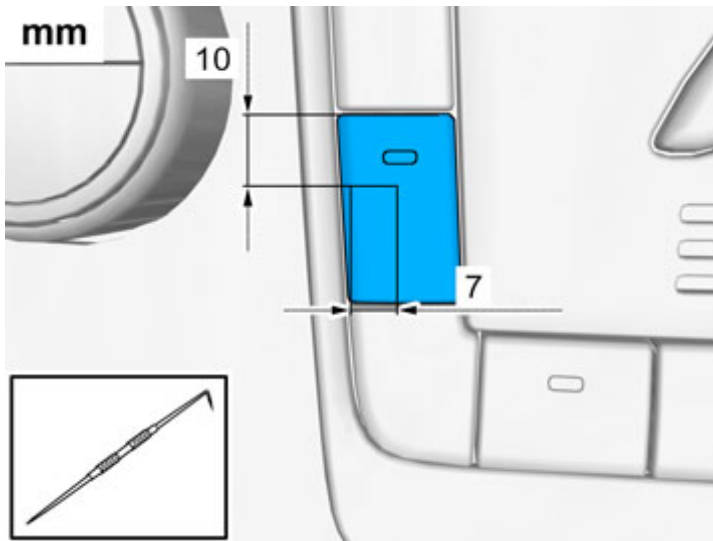
3



IMG-381021

Note!
Orientation view

4



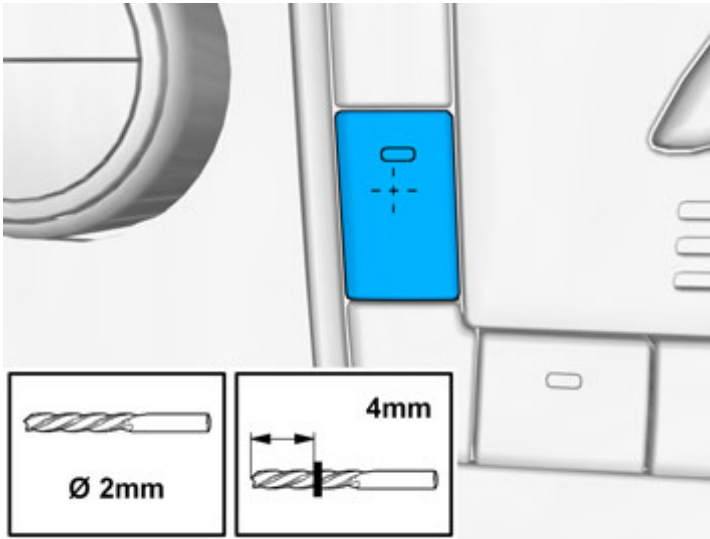
IMG-381005

Measure and mark as illustrated.

Installation instructions, accessories

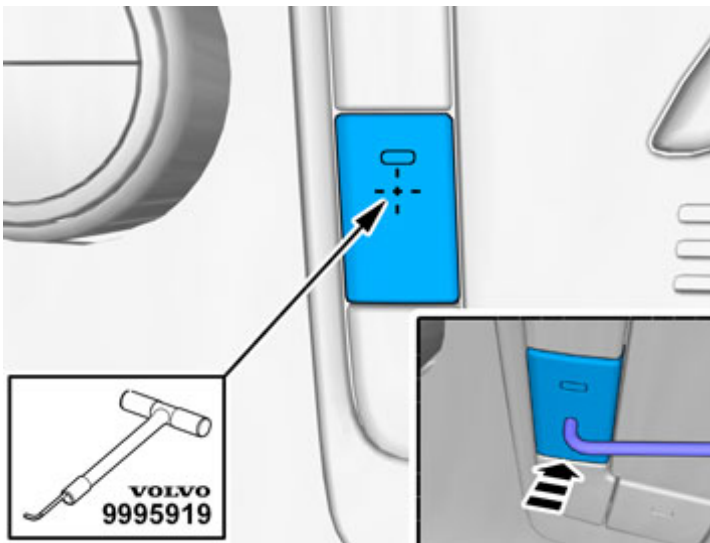
Volvo Car Corporation Gothenburg, Sweden

5



IMG-381006

6

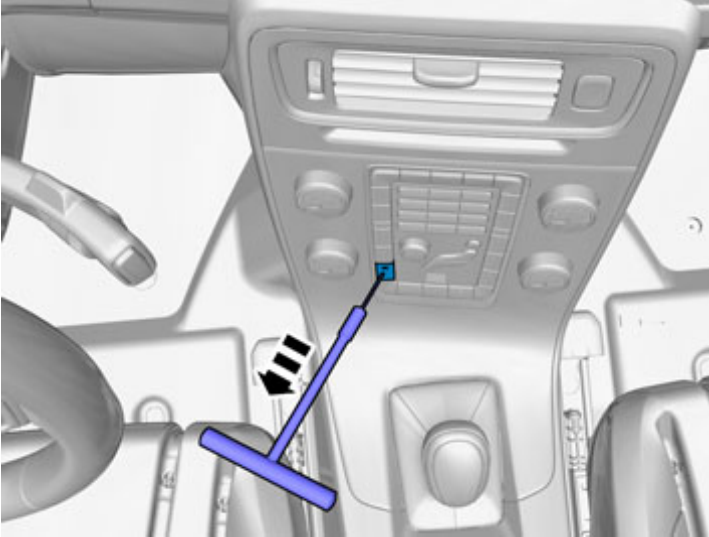


IMG-381020

Installation instructions, accessories

Volvo Car Corporation Gothenburg, Sweden

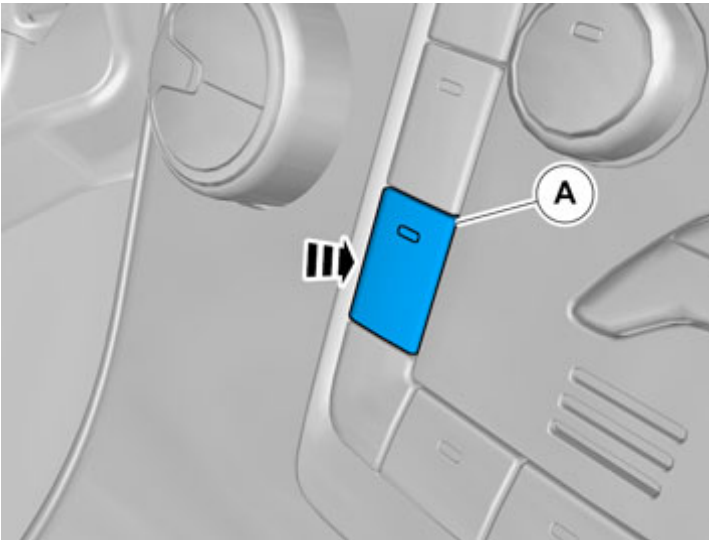
7



IMG-380996

Accessory installation

8



IMG-381003

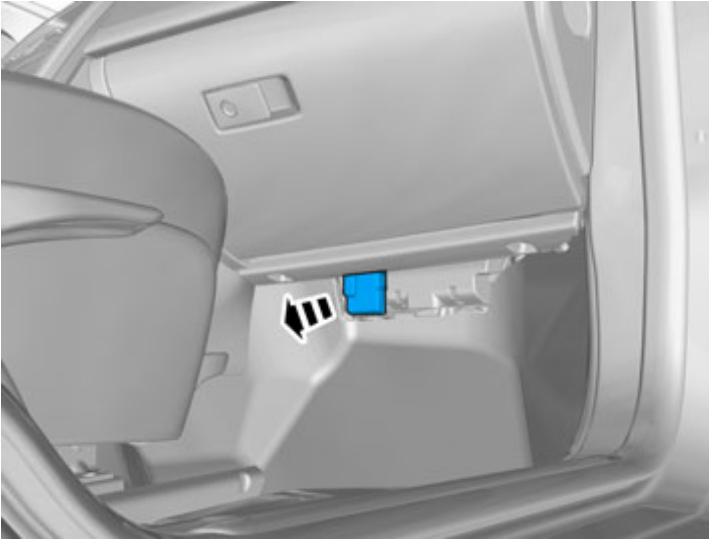
Install component that comes with the accessory kit.

Removal

Installation instructions, accessories

Volvo Car Corporation Gothenburg, Sweden

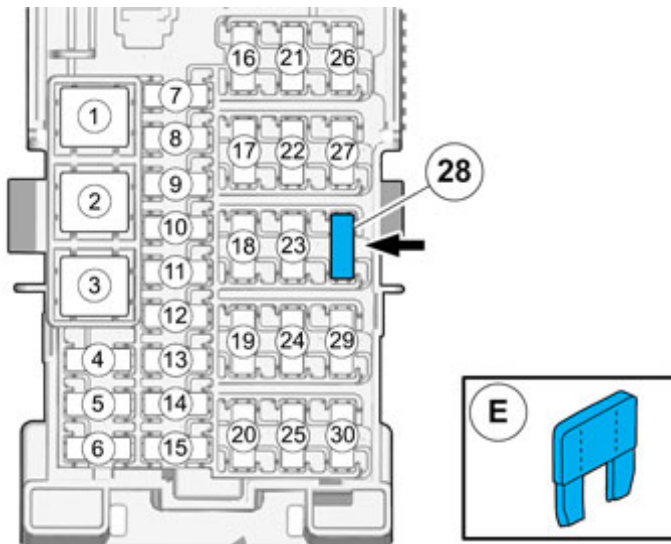
9



IMG-381919

Accessory installation

10



IMG-381920

Install component that comes with the accessory kit.

11

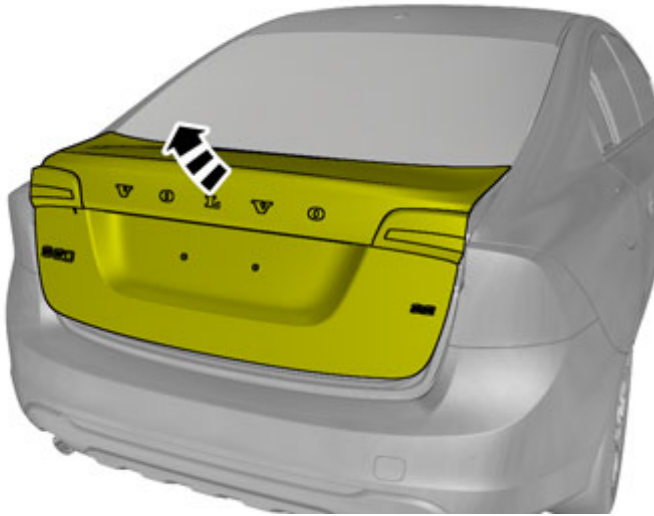
Reinstall the removed parts in reverse order.

Removal

Installation instructions, accessories

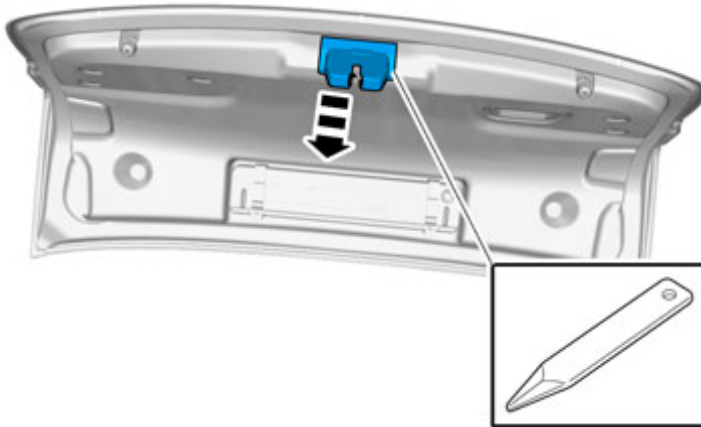
Volvo Car Corporation Gothenburg, Sweden

12



IMG-340010

13

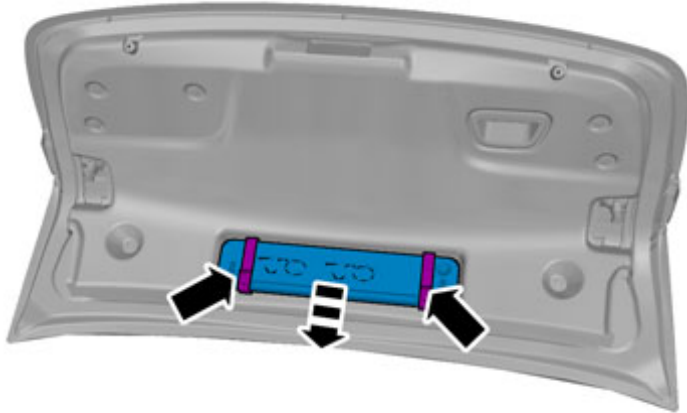


IMG-340012

Installation instructions, accessories

Volvo Car Corporation Gothenburg, Sweden

14



IMG-340016

15

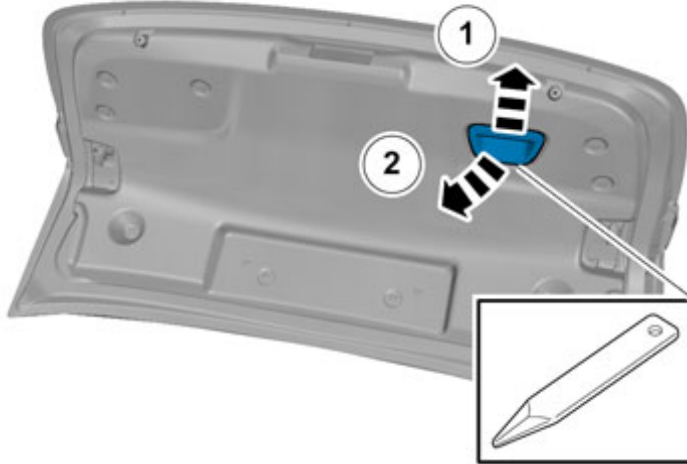


IMG-340017

Installation instructions, accessories

Volvo Car Corporation Gothenburg, Sweden

16



IMG-340018

17

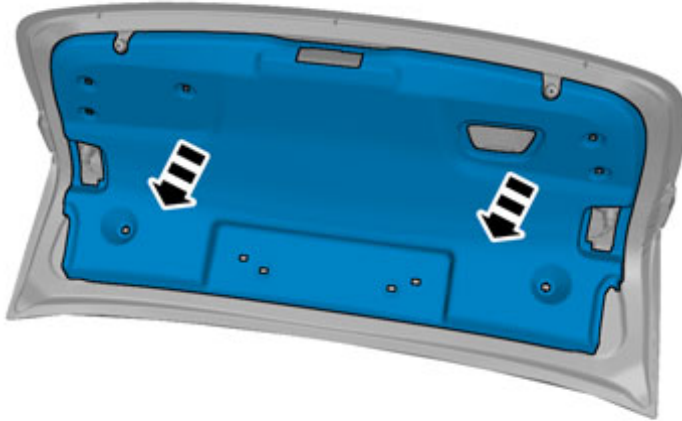


IMG-339904

Installation instructions, accessories

Volvo Car Corporation Gothenburg, Sweden

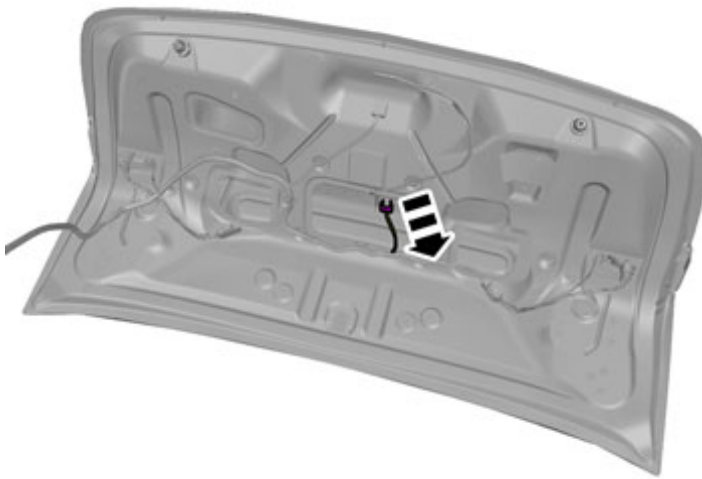
18



IMG-340019

19

Disconnect the connector.



IMG-340020

Installation instructions, accessories

Volvo Car Corporation Gothenburg, Sweden

20

Remove the screws.

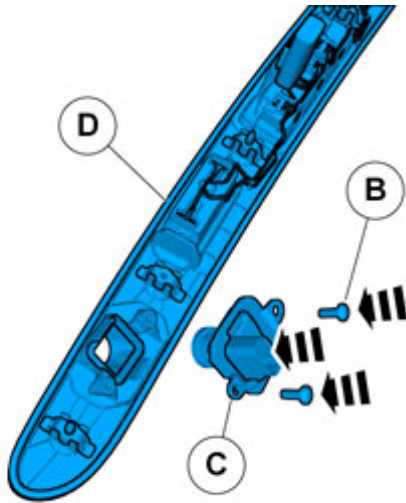
The part is not to be reused.



IMG-340021

Accessory installation

21



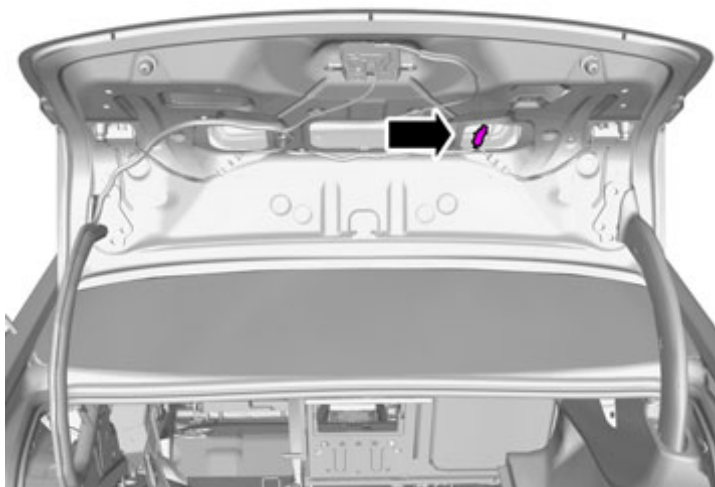
IMG-381025

Installation instructions, accessories

Volvo Car Corporation Gothenburg, Sweden

22

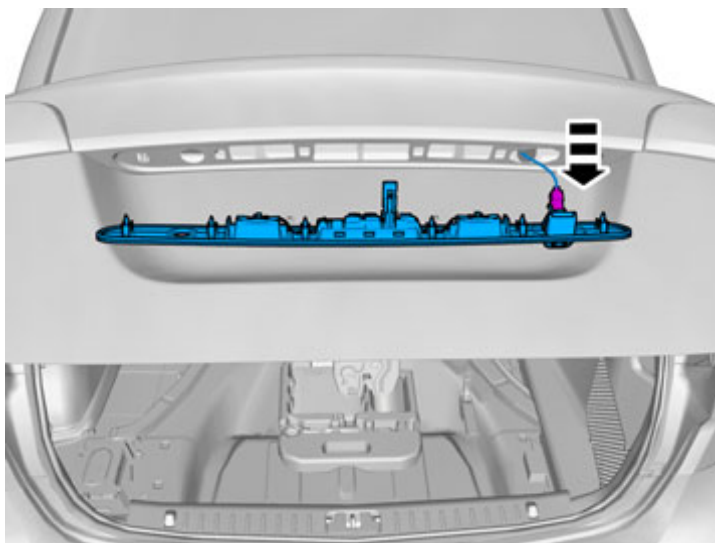
Locate the pre-routed connector.



IMG-380994

23

Connect the connector.

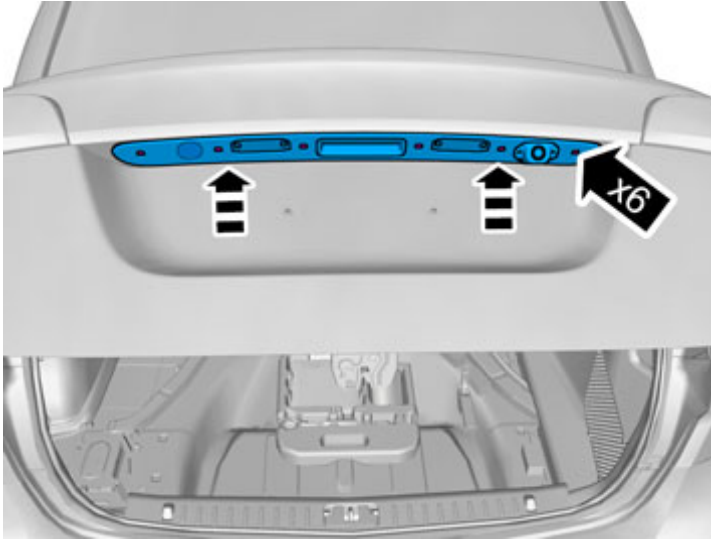


IMG-340041

Installation instructions, accessories

Volvo Car Corporation Gothenburg, Sweden

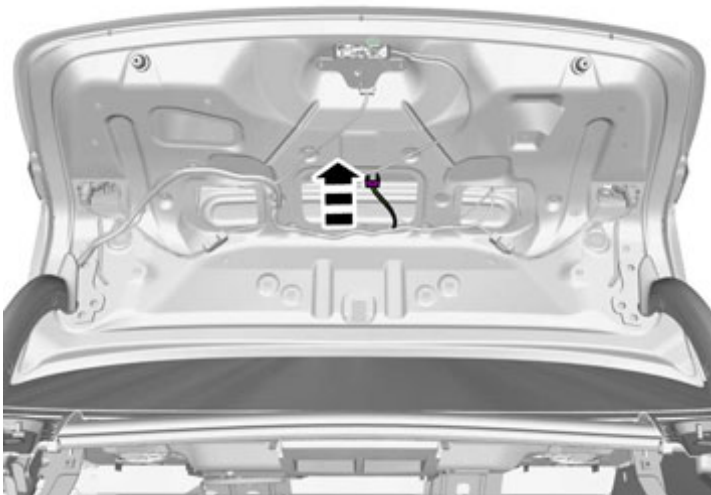
24



IMG-340057

25

Connect the connector.



IMG-339900

Installation instructions, accessories

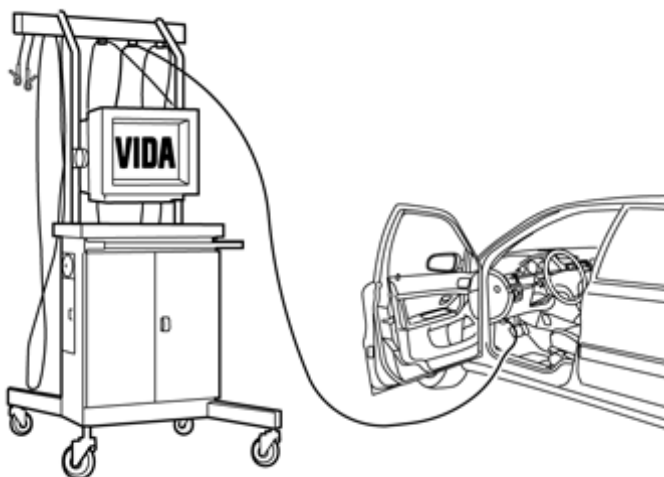
Volvo Car Corporation Gothenburg, Sweden

26

Reinstall the removed parts in reverse order.

IMG-377070

27



IMG-242268

Download software (application) for the accessory's function according to the service information in VIDA. See VIDA or the accessories catalogue for software part number.

Installation instructions, accessories

Volvo Car Corporation Gothenburg, Sweden

28

Calibrate according to: DIAGNOSTICS/VEHICLE
COMMUNICATION/Advanced/PAC

VIDA

IMG-275777
