

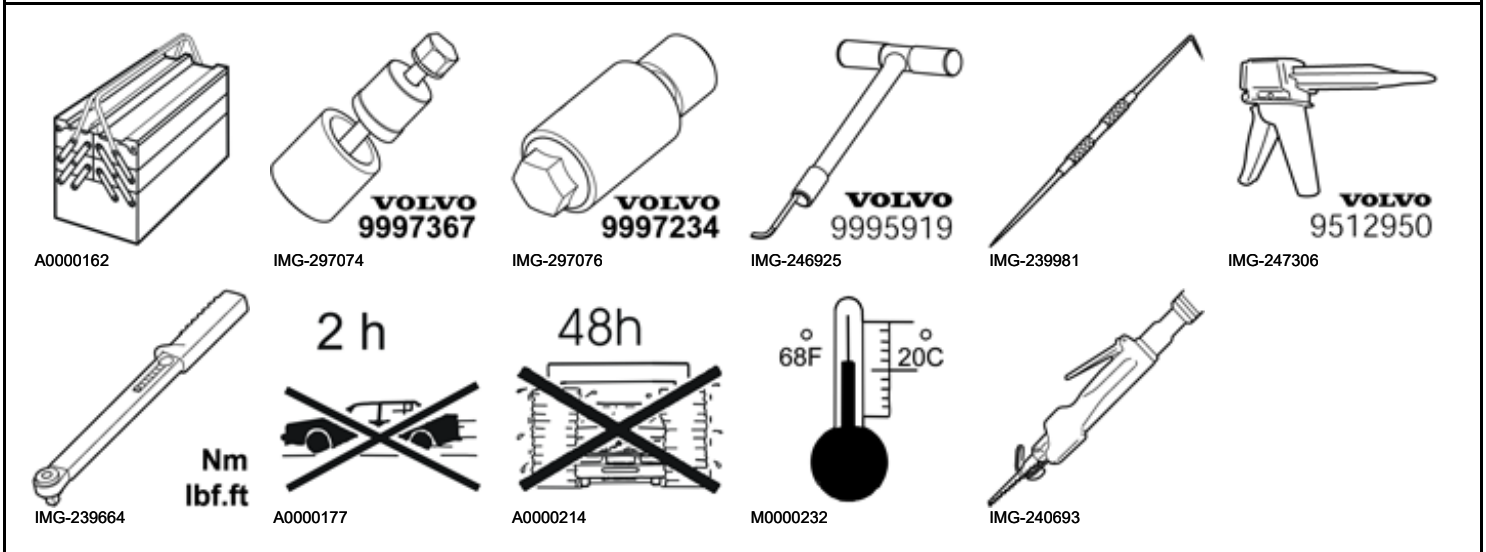
Installation instructions, accessories

Volvo Car Corporation Gothenburg, Sweden

Instruction No 31316568
Version 1.2
Part. No. 31414775, 31316358

Skid plate

Equipment



Installation instructions, accessories

Volvo Car Corporation Gothenburg, Sweden

INTRODUCTION

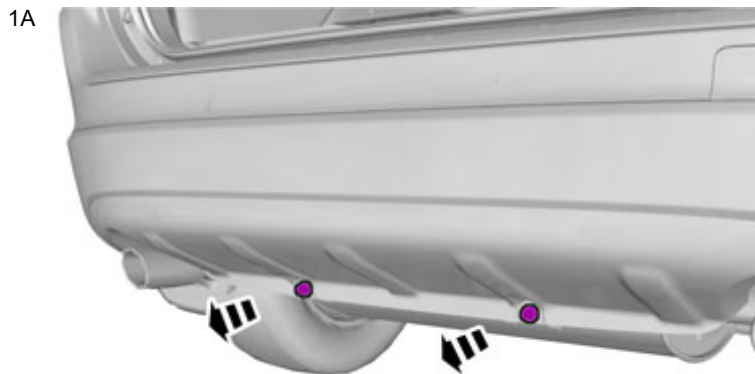
Read through all of the instructions before starting installation.

Notifications and warning texts are for your safety and to minimise the risk of something breaking during installation.

Ensure that all tools stated in the instructions are available before starting installation.

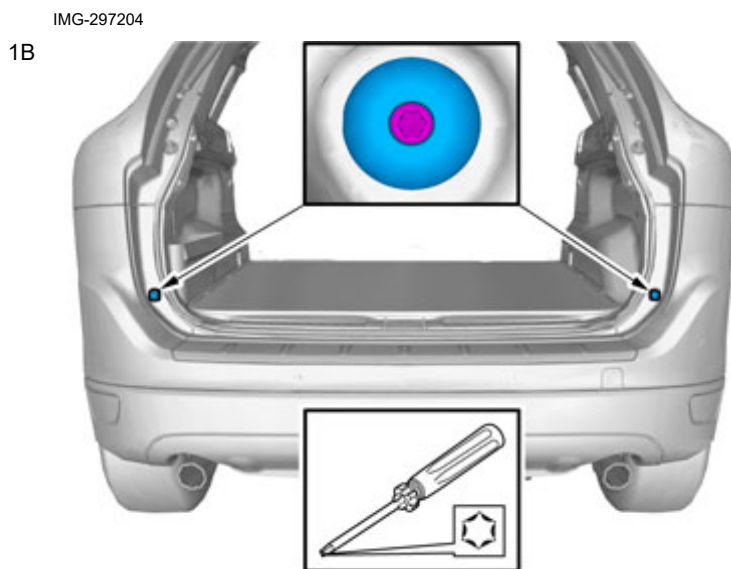
Certain steps in the instructions are only presented in the form of images. Explanatory text is also given for more complicated steps.

In the event of any problems with the instructions or the accessory, contact your local Volvo dealer.



Illustrations A and B

Slacken off the screws.

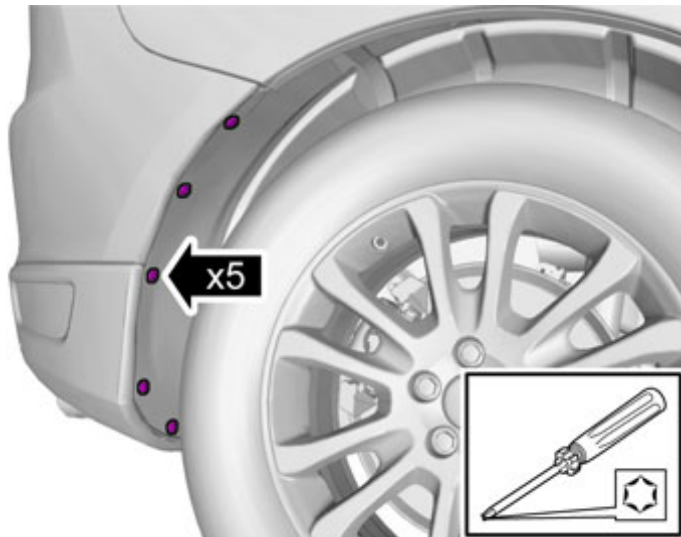


IMG-297185

Installation instructions, accessories

Volvo Car Corporation Gothenburg, Sweden

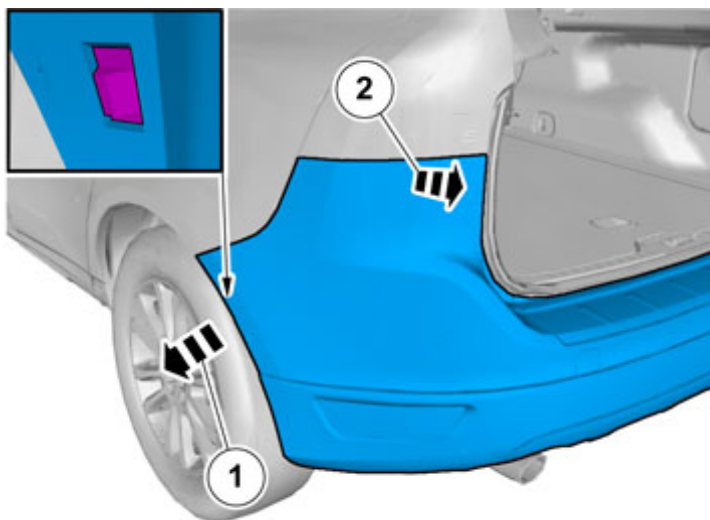
2



IMG-297503

Carry out the procedure on the other side.

3A



IMG-297504

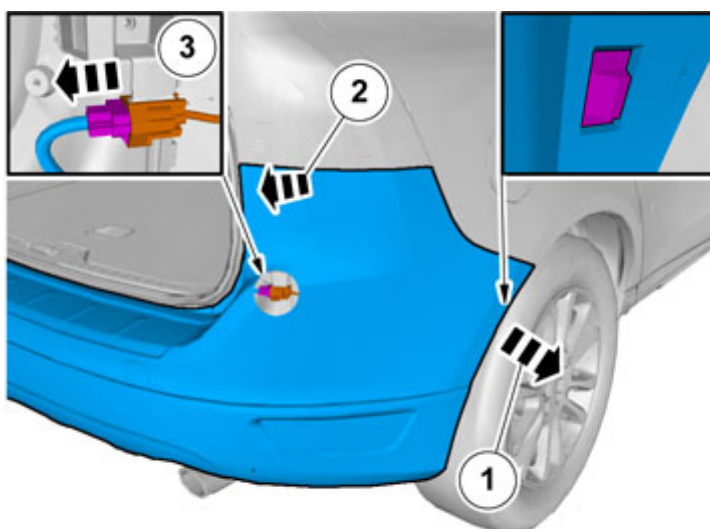
Illustrations A and B

Note!

This procedure is easier carried out by two people.

Place the bumper cover on a suitable surface.

3B

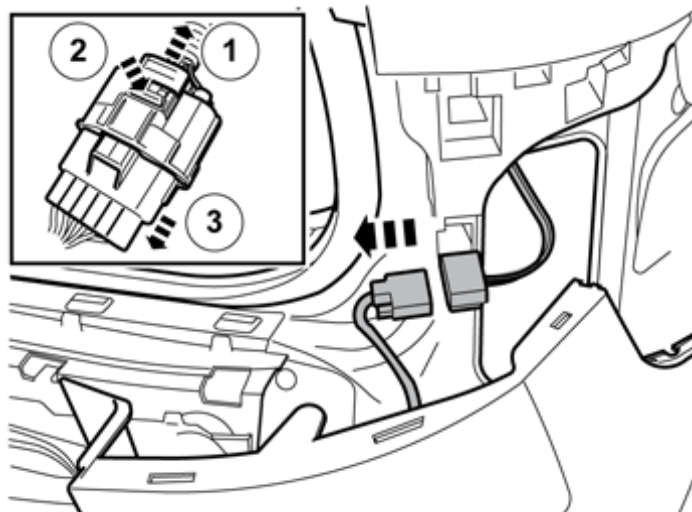


IMG-297523

Installation instructions, accessories

Volvo Car Corporation Gothenburg, Sweden

4



IMG-285054

Applies to vehicles with parking assistance

Release the connector's catch.

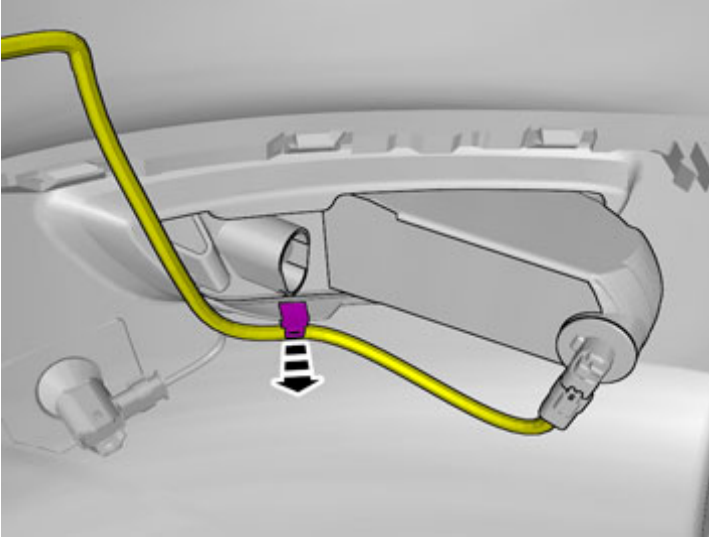
Disconnect the connector(s).

Position the bumper so that it does not become damaged.

Installation instructions, accessories

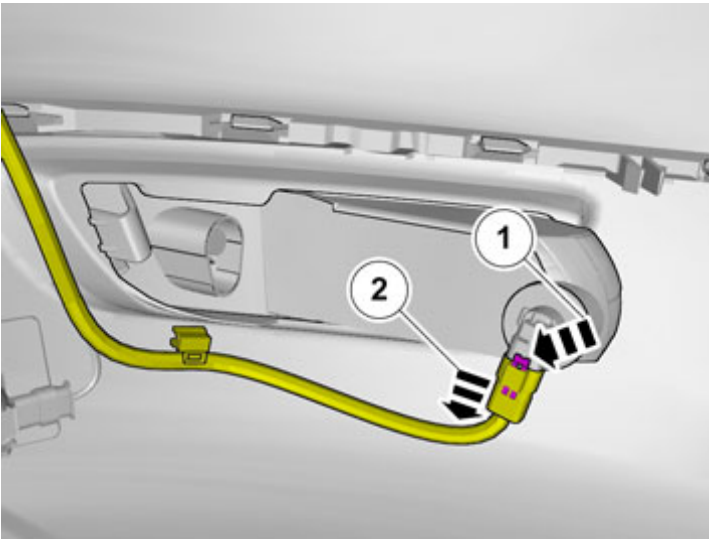
Volvo Car Corporation Gothenburg, Sweden

5A



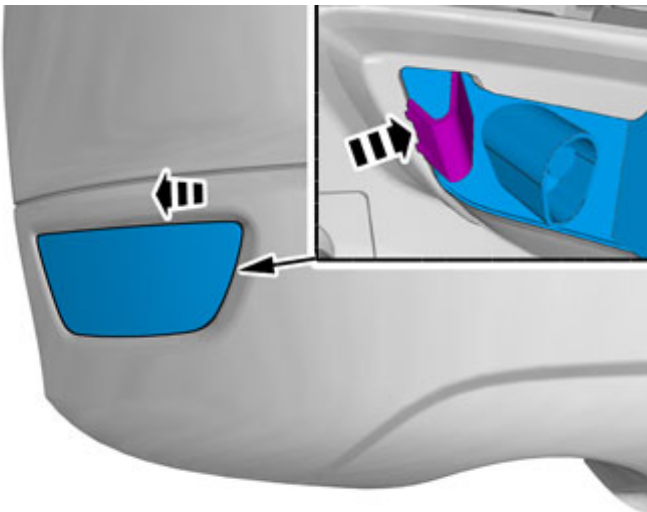
IMG-338197

5B



IMG-338198

5C



IMG-338199

Applies to all models

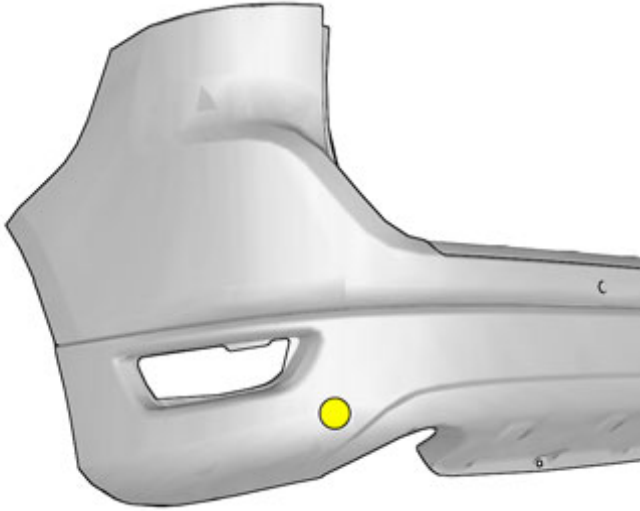
Illustrations A, B and C

Carry out the procedure steps on the other side.

Installation instructions, accessories

Volvo Car Corporation Gothenburg, Sweden

6A



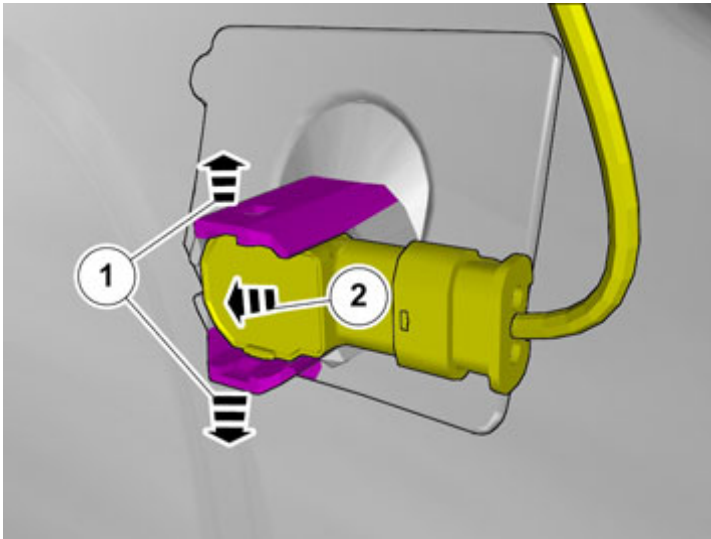
Applies to vehicles with parking assistance

Illustrations A and B

Carry out the procedure steps on the other side.

IMG-338200

6B

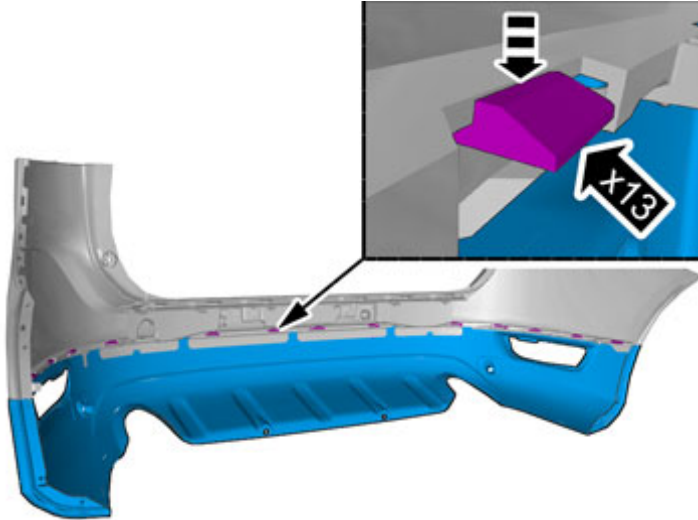


IMG-338201

Installation instructions, accessories

Volvo Car Corporation Gothenburg, Sweden

7A

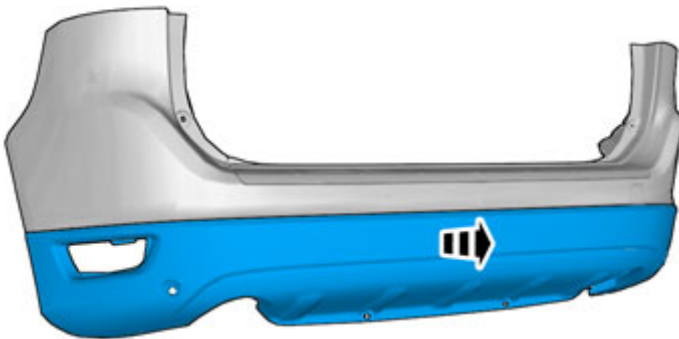


IMG-338202

Illustrations A and B

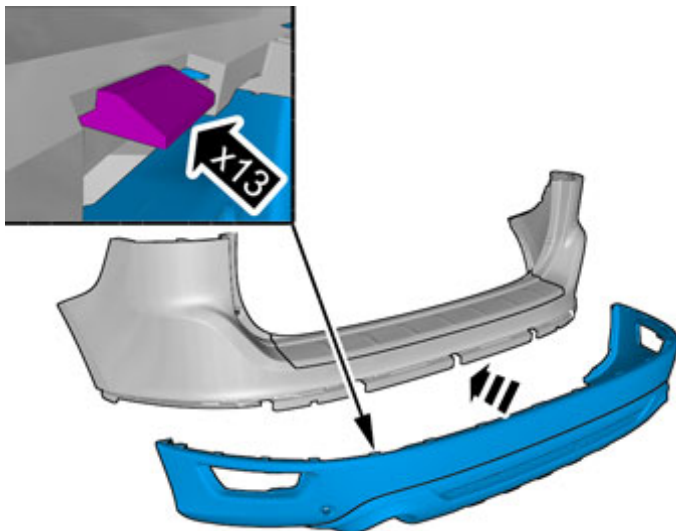
Release the hooks.

7B



IMG-338203

8



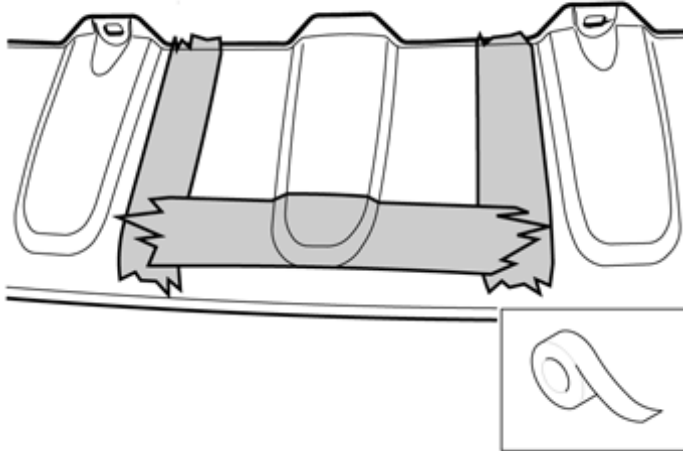
IMG-337641

Installation instructions, accessories

Volvo Car Corporation Gothenburg, Sweden

9

Applies to vehicles with a towbar

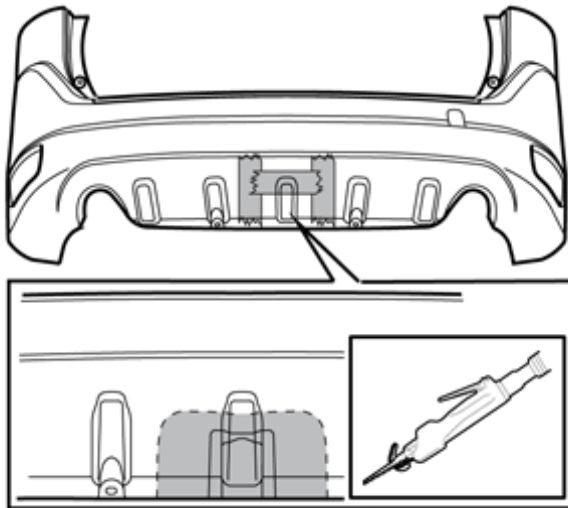


IMG-285095

Tape the skid plate on the outside opposite where it is to be sawed to prevent the saw foot from damaging the surface.

10

Applies to vehicles with a detachable towbar

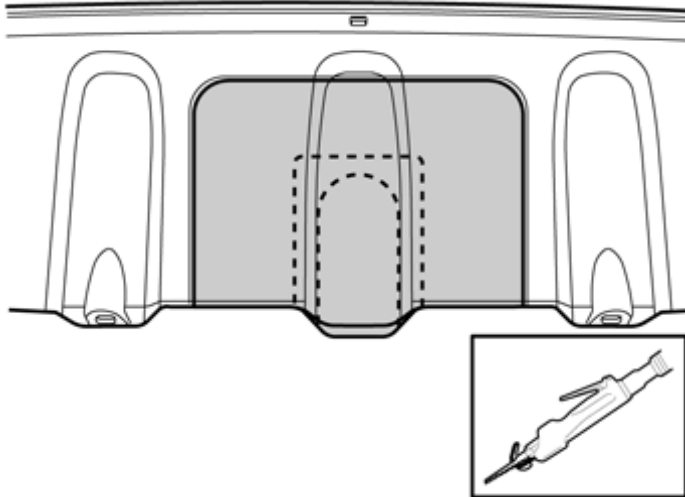


IMG-285512

Installation instructions, accessories

Volvo Car Corporation Gothenburg, Sweden

11



IMG-285513

Applies to vehicles with a detachable towbar

Saw out according to the markings. The shaded surface is to be removed.

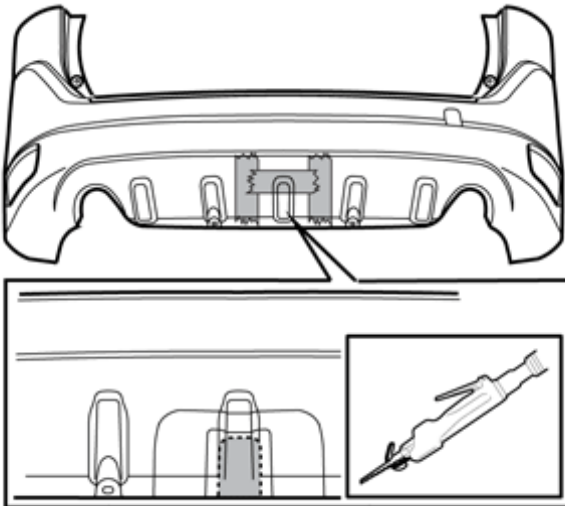
Remove the tape.

Smooth off the sawn edges with a fine toothed file.

Note!

Do not damage the surface of the skid plate. Cut so that the raised edge on the inside remains. The raised edge marks the cut-out.

12



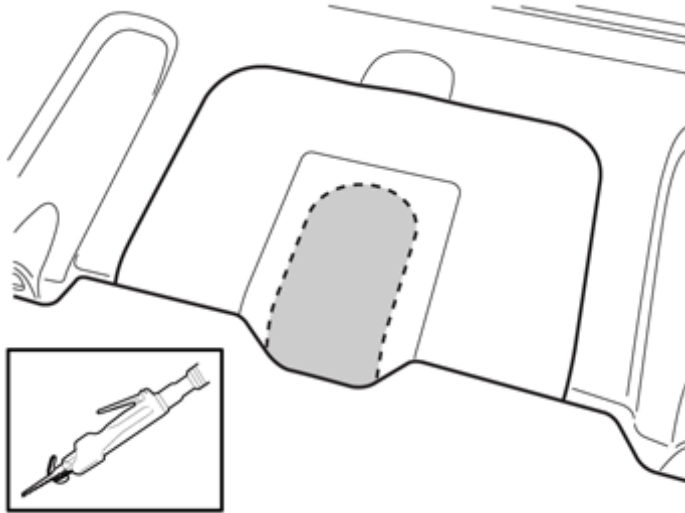
IMG-295363

Applies to vehicles with a fixed towbar

Installation instructions, accessories

Volvo Car Corporation Gothenburg, Sweden

13



IMG-285096

Applies to vehicles with a fixed towbar

Saw out according to the markings. The shaded surface is to be removed.

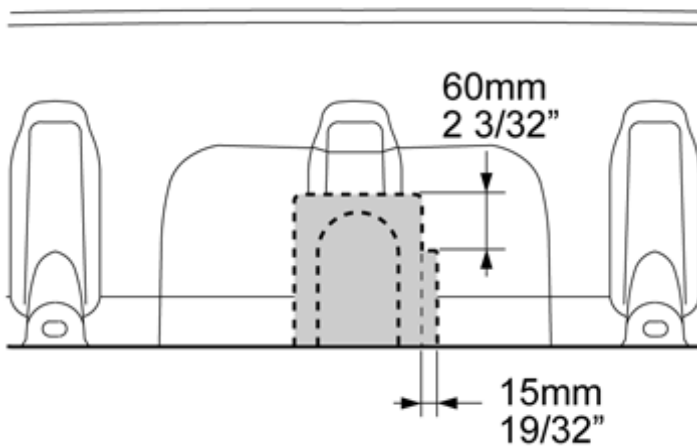
Remove the tape.

Smooth off the sawn edges with a fine toothed file.

Note!

Do not damage the surface of the skid plate. Cut so that the raised edge on the inside remains. The raised edge marks the cut-out.

14



IMG-295746

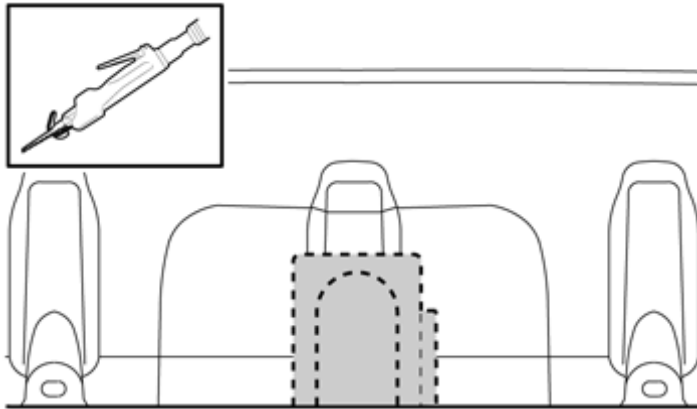
Applies to vehicles with a towbar hitch

Measure and mark up for a cut-out for the tow hitch wiring.

Installation instructions, accessories

Volvo Car Corporation Gothenburg, Sweden

15



Applies to vehicles with a towbar hitch

Saw out according to the markings. The shaded surface is to be removed.

Remove the tape.

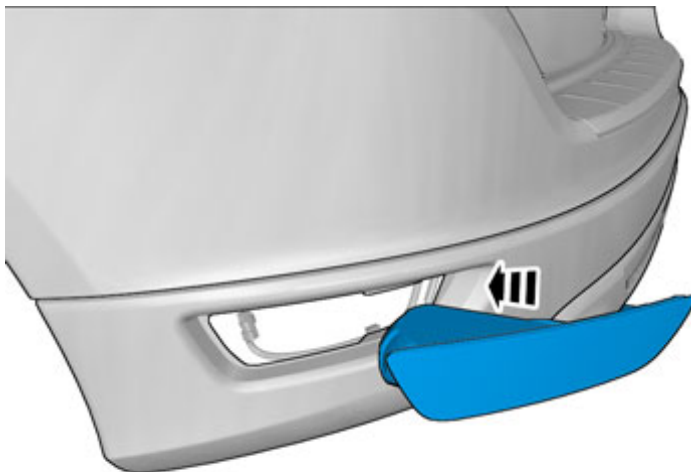
Smooth off the sawn edges with a fine toothed file.

Note!

Do not damage the surface of the skid plate. Cut so that the raised edge on the inside remains. The raised edge marks the cut-out.

IMG-295747

16



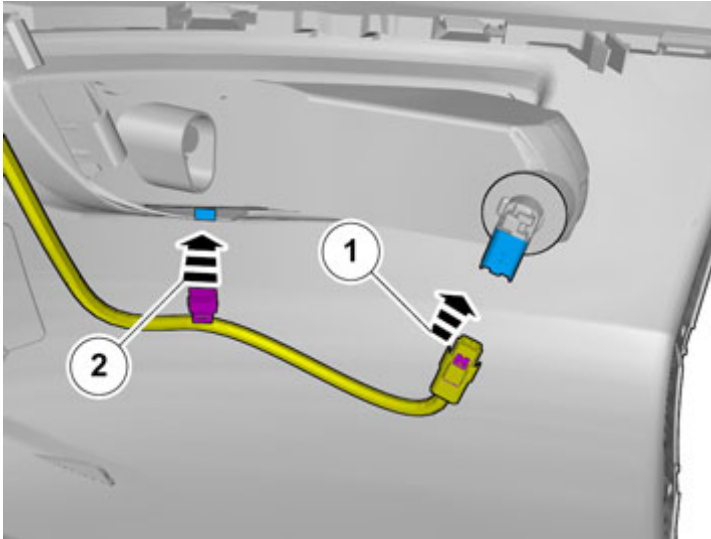
Applies to all models

IMG-337680

Installation instructions, accessories

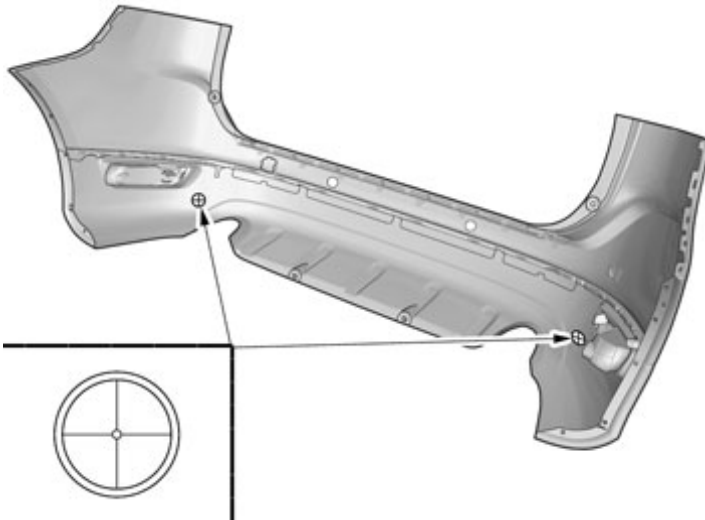
Volvo Car Corporation Gothenburg, Sweden

17



IMG-337682

18



IMG-331352

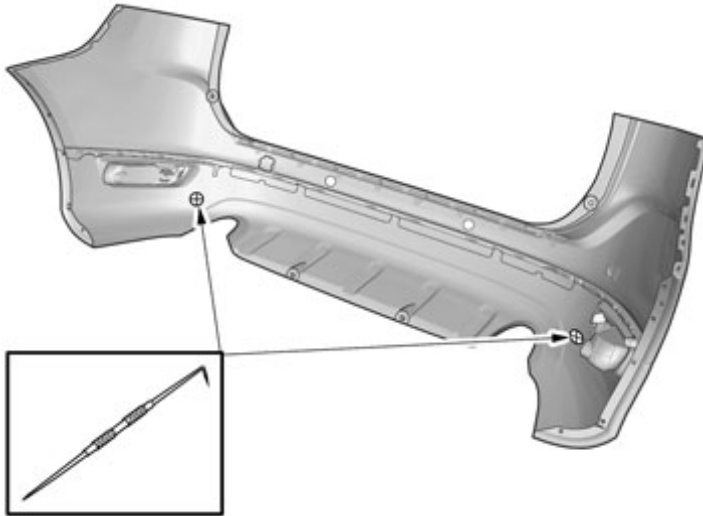
Applies to vehicles with parking assistance

Locate the two markings at the lower edge of the bumper cover.

Installation instructions, accessories

Volvo Car Corporation Gothenburg, Sweden

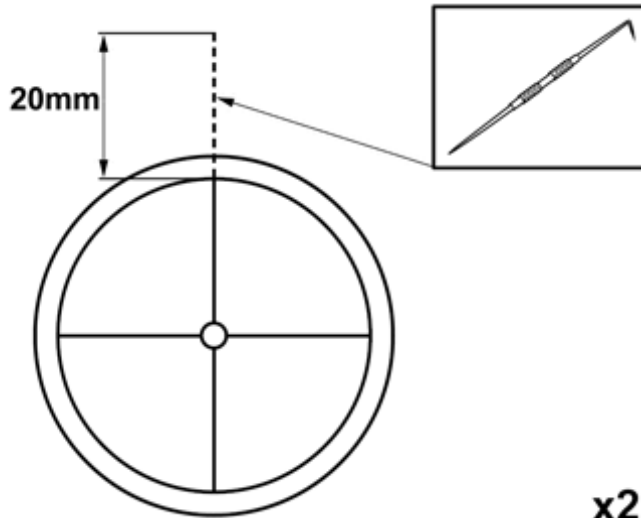
19



IMG-331358

Mark the centre, use a scriber.

20



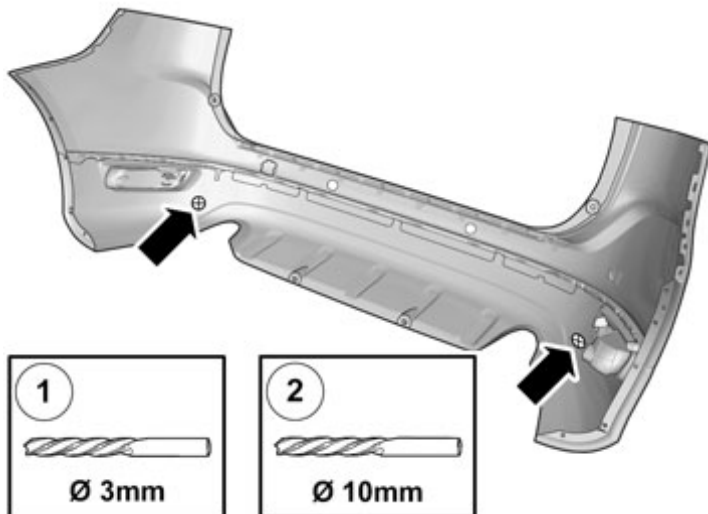
IMG-331359

Extend the marking's vertical line using a scriber. This is to be used as a reference line for punching holes.

Installation instructions, accessories

Volvo Car Corporation Gothenburg, Sweden

21A



IMG-331350

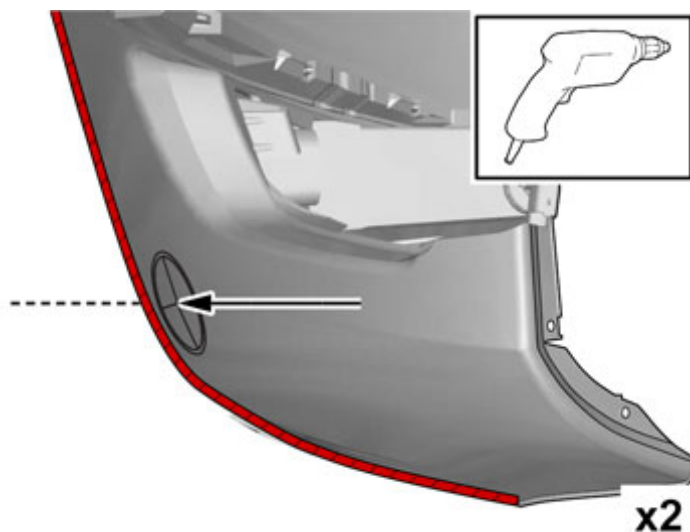
Illustrations A and B

1. Ø 3 mm (7/64")
2. Ø 10 mm (25/64")

Caution!

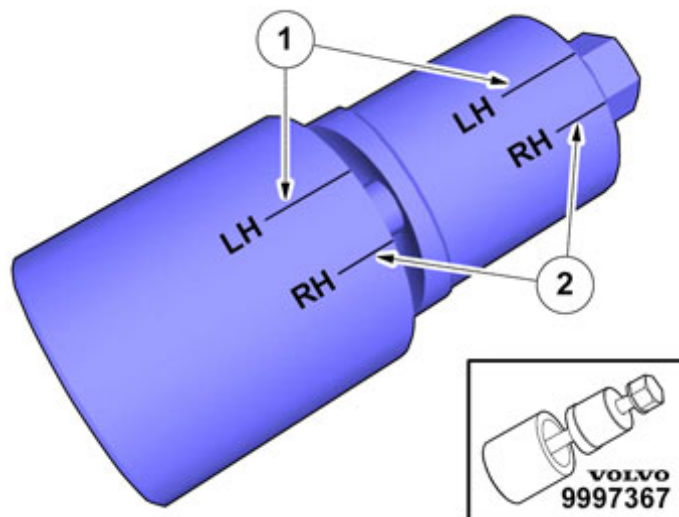
Drill horizontally through the bumper cover.

21B



IMG-331348

22



IMG-331360

Use: 9997367 Hole tool

Ensure that the markings, 1 and 2, are opposite each other when making holes.

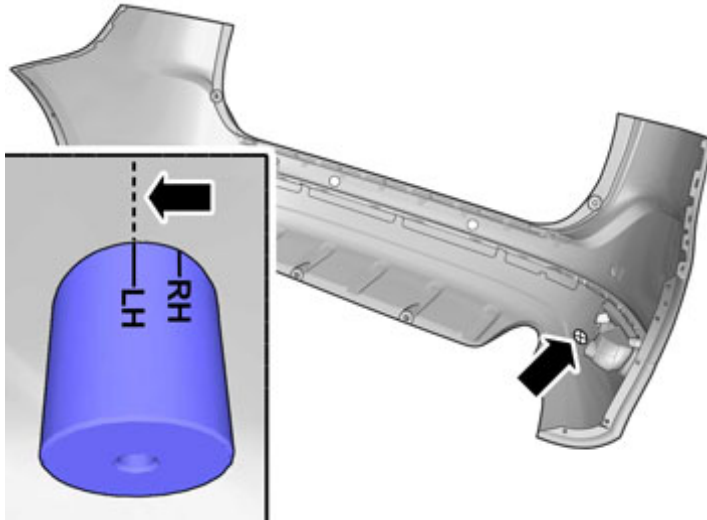
Caution!

Place the hole tool's support sleeve on the inside, and the cutting part on the outside of the bumper casing.

Installation instructions, accessories

Volvo Car Corporation Gothenburg, Sweden

23



IMG-331355

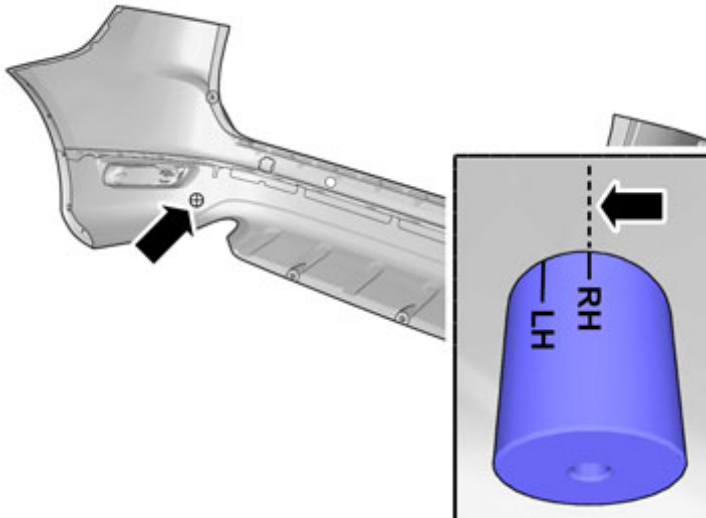
Applies to the left-hand side

Ensure that the marking on the hole tool (LH) and the marking that was made on the bumper cover are opposite each other.

Note!

Ensure that the support sleeve does not turn when the screw is tightened.

24



IMG-331356

Applies to the right-hand side

Ensure that the marking on the hole tool (RH) and the marking that was made on the bumper cover are opposite each other.

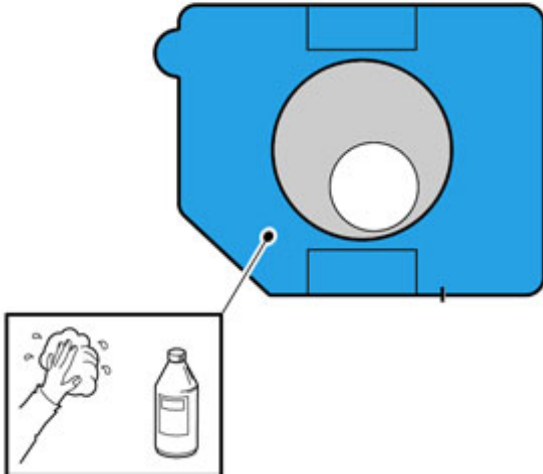
Note!

Ensure that the support sleeve does not turn when the screw is tightened.

Installation instructions, accessories

Volvo Car Corporation Gothenburg, Sweden

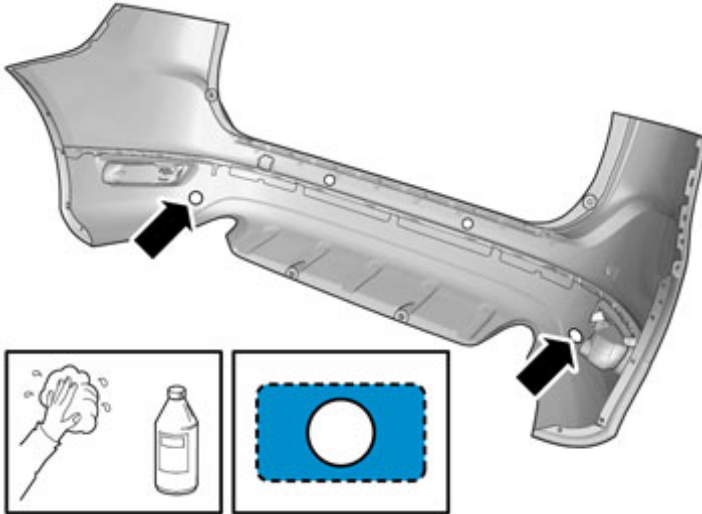
25



IMG-338106

Clean using isopropanol.

26



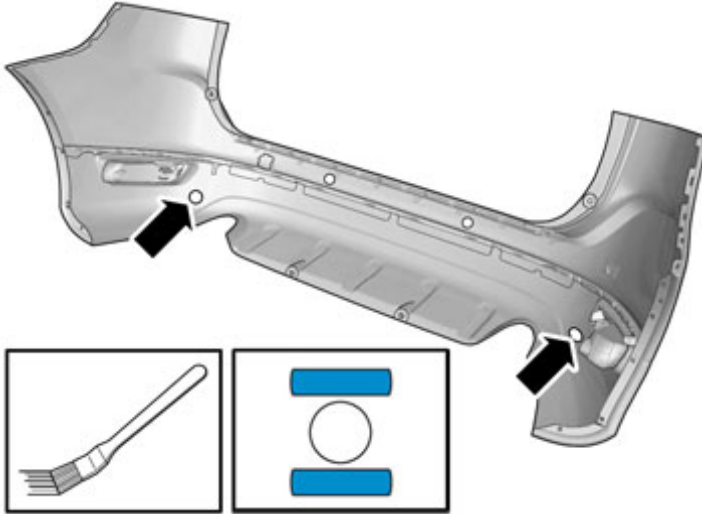
IMG-338108

Clean using isopropanol.

Installation instructions, accessories

Volvo Car Corporation Gothenburg, Sweden

27

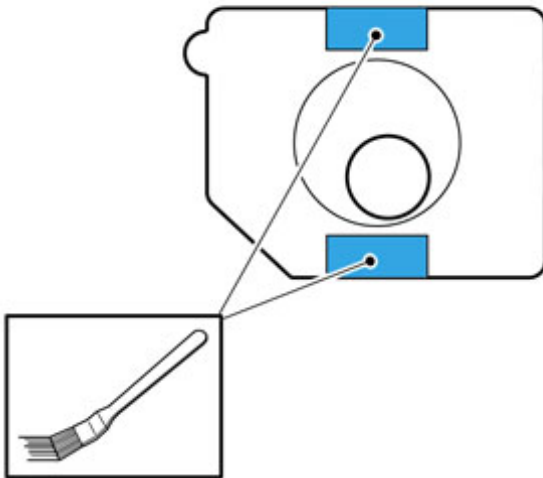


IMG-339321

Apply a thin and even layer of activator. Allow to dry for at least 10 minutes.

Use: 8637076 Activator.

28



IMG-338111

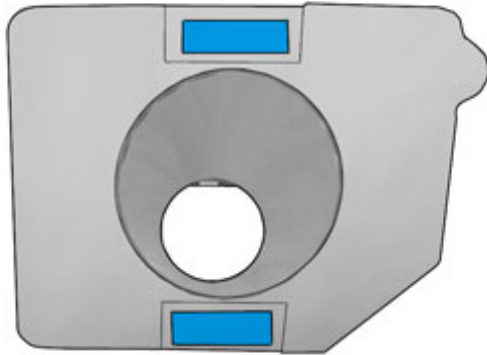
Apply a thin and even layer of activator. Allow to dry for at least 10 minutes.

Use: 8637076 Activator.

Installation instructions, accessories

Volvo Car Corporation Gothenburg, Sweden

29



Apply two pieces of tape.

Use: 8637076 Activator.

IMG-338136

30



Apply a thin and even layer of adhesive. The adhesive must be above the tape level.

Use: 9512950 Adhesive gun, 1161730 Mixing pipe and 9511027 Adhesive.

Caution!

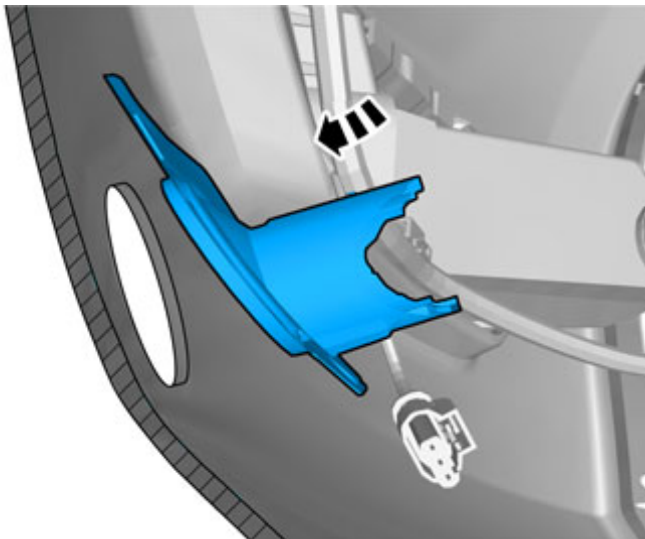
The adhesive must not come into contact with the tape.

IMG-338148

Installation instructions, accessories

Volvo Car Corporation Gothenburg, Sweden

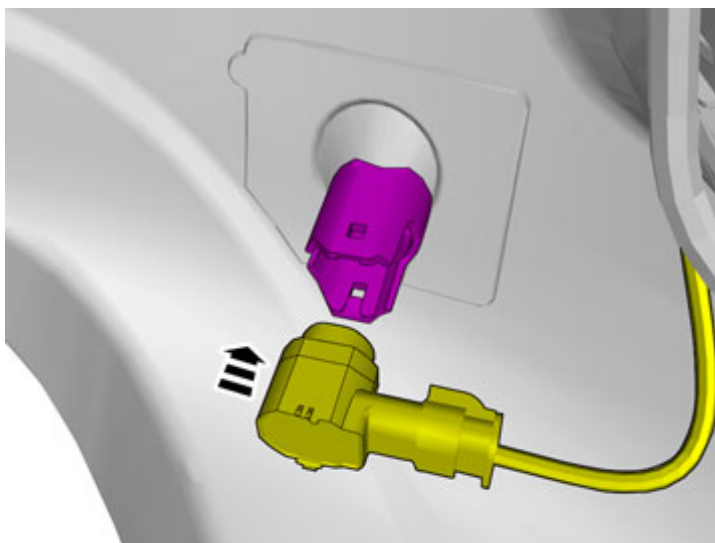
31



IMG-297576

Repeat the method steps on the other cradle.

32

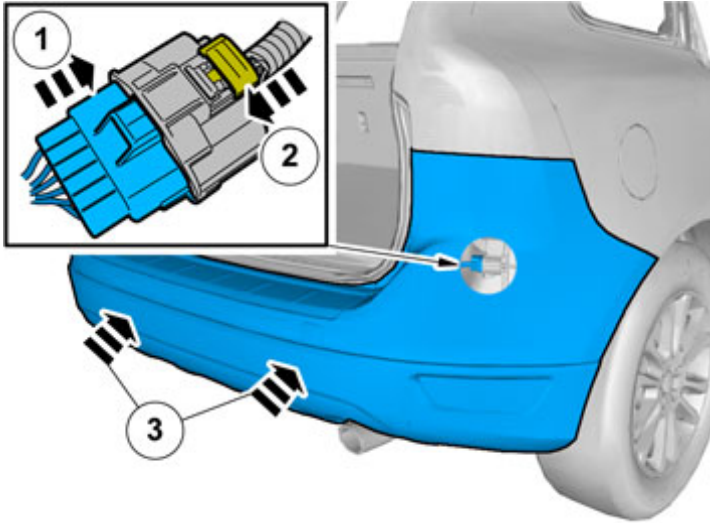


IMG-337687

Installation instructions, accessories

Volvo Car Corporation Gothenburg, Sweden

33

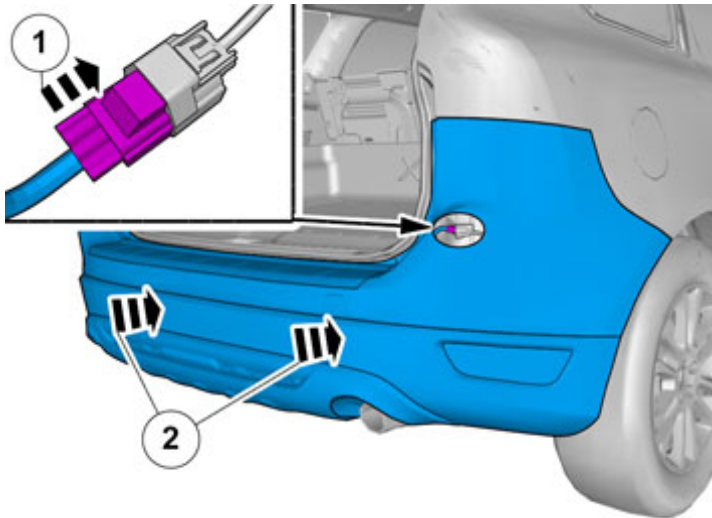


IMG-297604

Applies to vehicles with parking assistance

Reinstall the detached components in reverse order

34



IMG-338196

Applies to vehicles without parking assistance

Reinstall the detached components in reverse order