



Installation instructions, accessories

Volvo Car Corporation Gothenburg, Sweden

Instruction No	Version	Part. No.
31414626	1.0	31470889

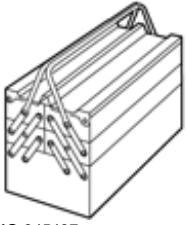
Child seat, mounting eyelets



Installation instructions, accessories

Volvo Car Corporation Gothenburg, Sweden

Equipment

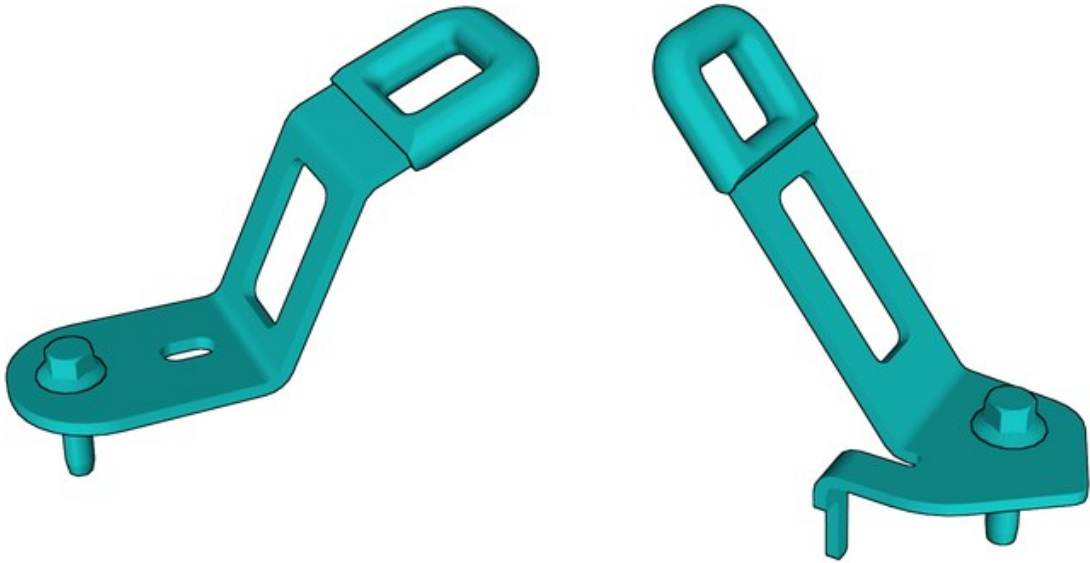


IMG-345497



IMG-239664

Nm
lbf.ft



IMG-450377



Installation instructions, accessories

Volvo Car Corporation Gothenburg, Sweden

Information

1

Read through all of the instructions before starting installation.

Notifications and warning texts are for your safety and to minimise the risk of something breaking during installation.

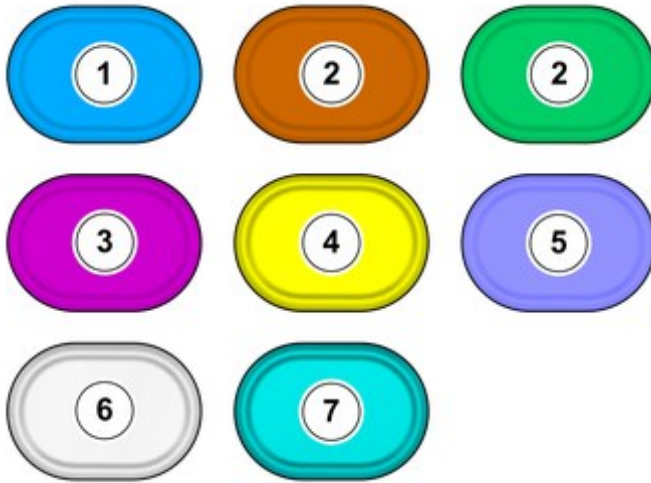
Ensure that all tools stated in the instructions are available before starting installation.

Certain steps in the instructions are only presented in the form of images. Explanatory text is also given for more complicated steps.

In the event of any problems with the instructions or the accessory, contact your local Volvo dealer.

Color symbols

2



IMG-400010

Note!

This colour chart displays (in colour print and electronic version) the importance of the different colours used in the images of the method steps.

1. Used for focused component, the component with which you will do something.
2. Used as extra colors when you need to show or differentiate additional parts.
3. Used for attachments that are to be removed/installed. May be screws, clips, connectors, etc.
4. Used when the component is not fully removed from the vehicle but only hung to the side.
5. Used for standard tools and special tools.
6. Used as background color for vehicle components.
7. Used for accessory components.

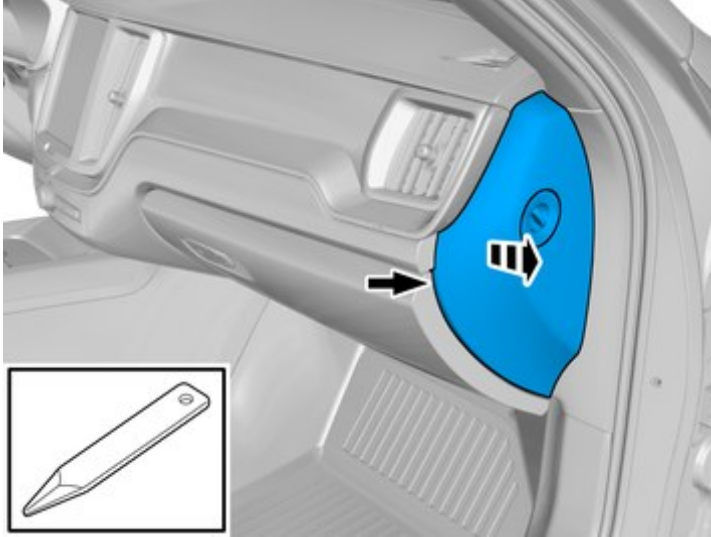
Removal



Installation instructions, accessories

Volvo Car Corporation Gothenburg, Sweden

3

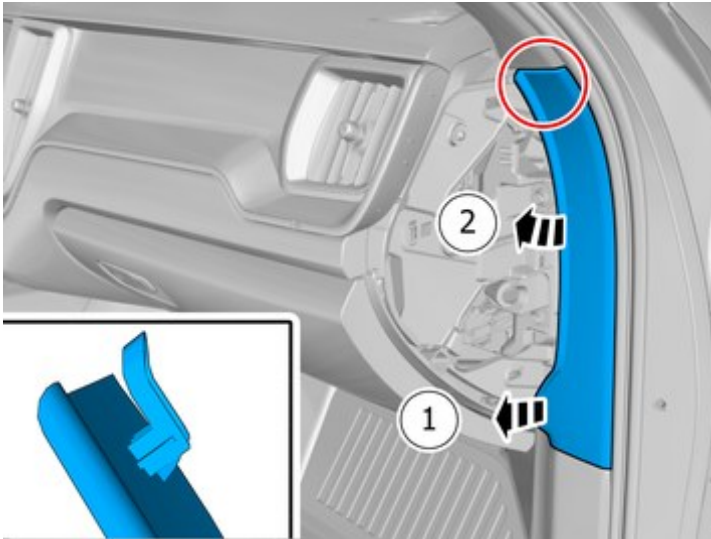


IMG-456041

Remove the panel.

Disconnect the connector, if applicable.

4



IMG-456044

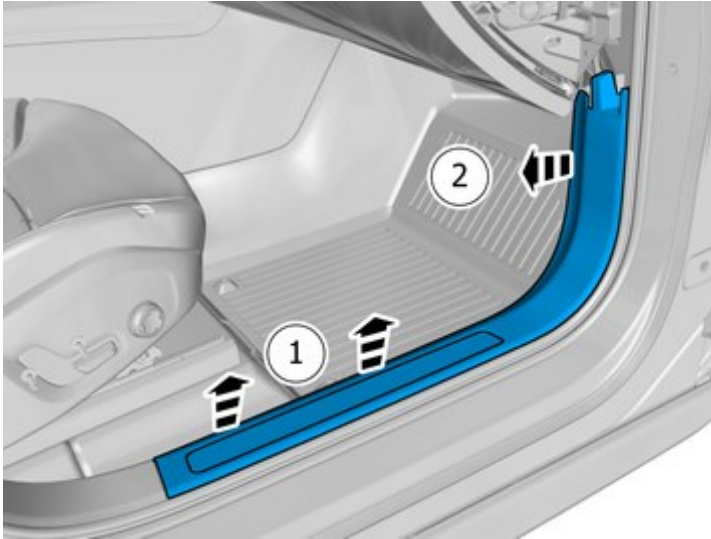
Remove the panel.



Installation instructions, accessories

Volvo Car Corporation Gothenburg, Sweden

5

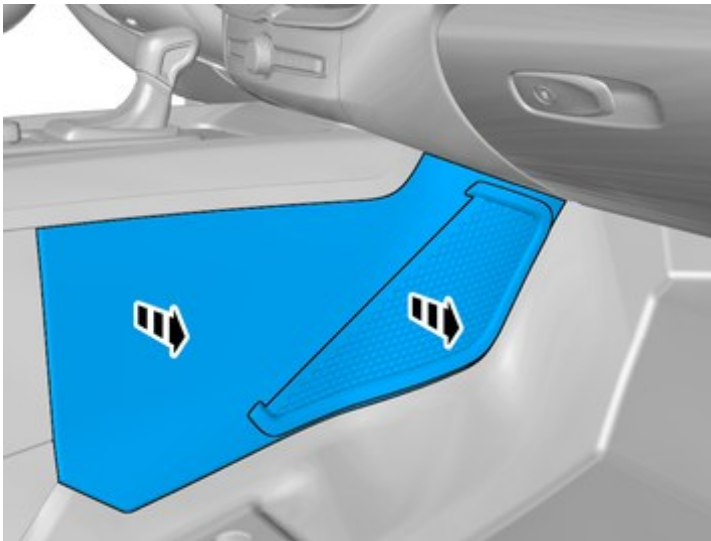


IMG-456046

Remove the panel.

Disconnect the connector, if applicable.

6



IMG-432262

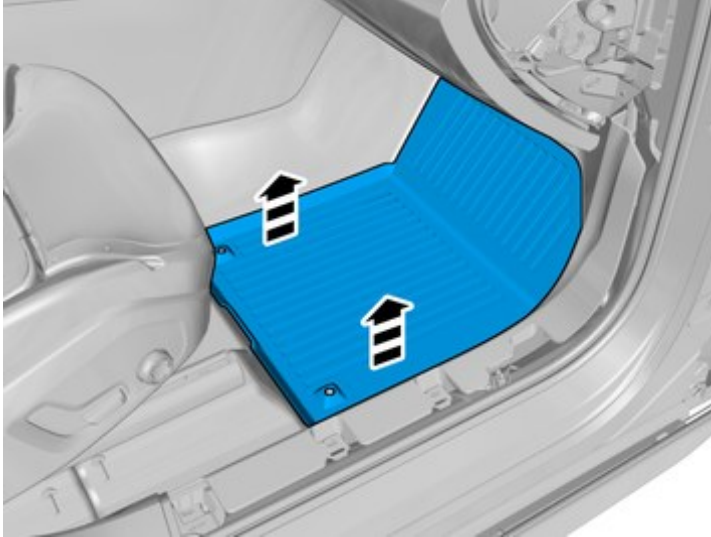
Remove the panel.



Installation instructions, accessories

Volvo Car Corporation Gothenburg, Sweden

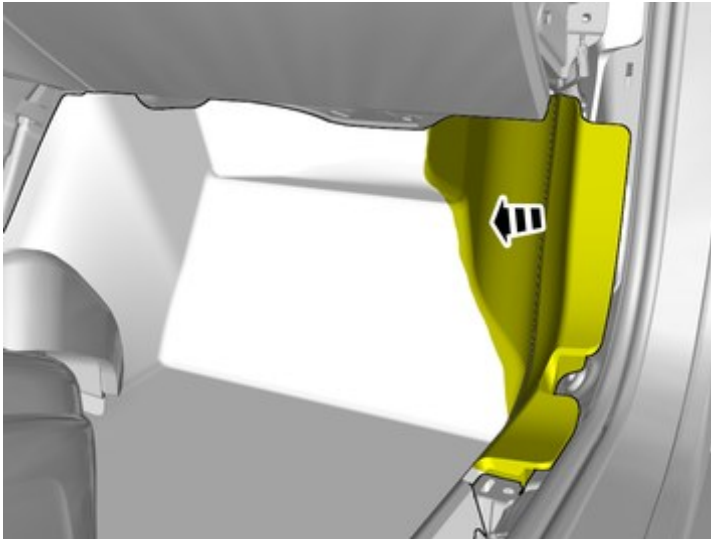
7



IMG-456047

Remove the marked part.

8



IMG-455984

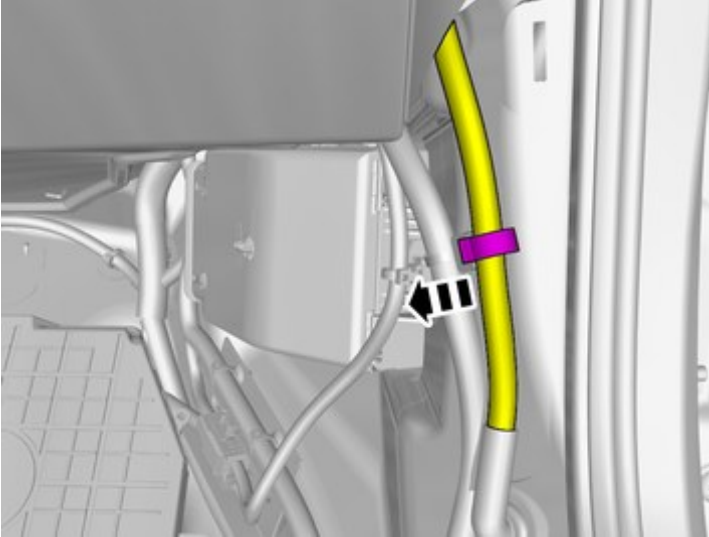
Fold the carpet aside.



Installation instructions, accessories

Volvo Car Corporation Gothenburg, Sweden

9



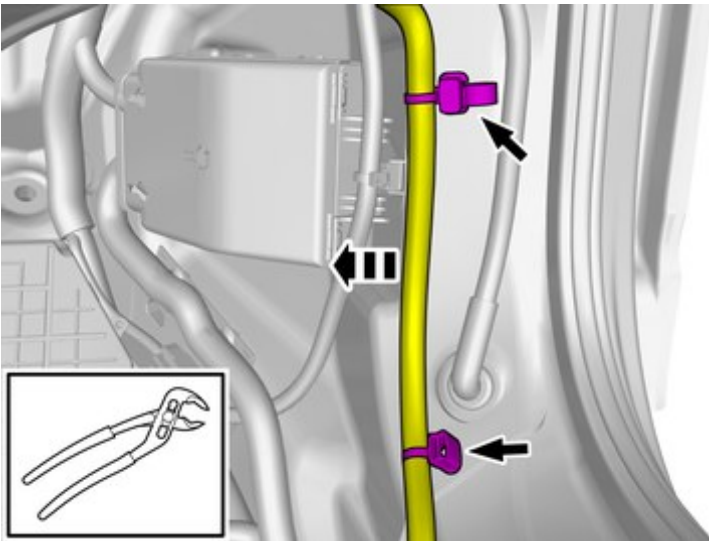
IMG-450393

Caution!

Do not pull the drain hose. A detached hose will cause water leakage.

Loosen the component indicated. Do not remove it.

10



IMG-456075

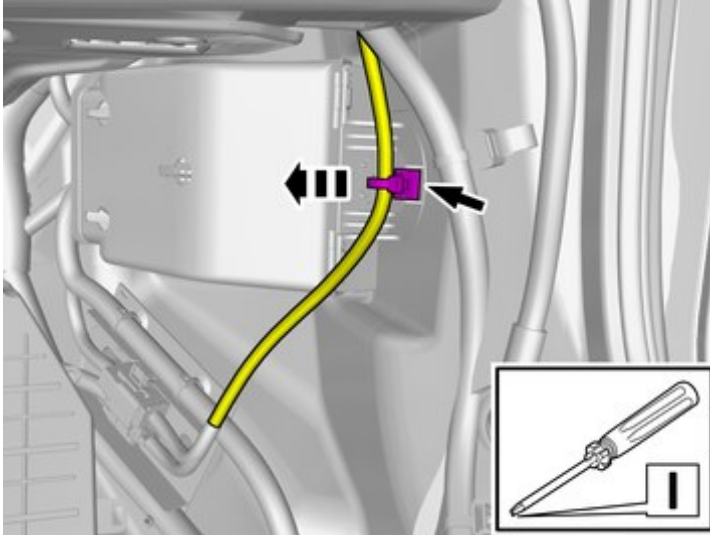
Remove the cable harness clips.



Installation instructions, accessories

Volvo Car Corporation Gothenburg, Sweden

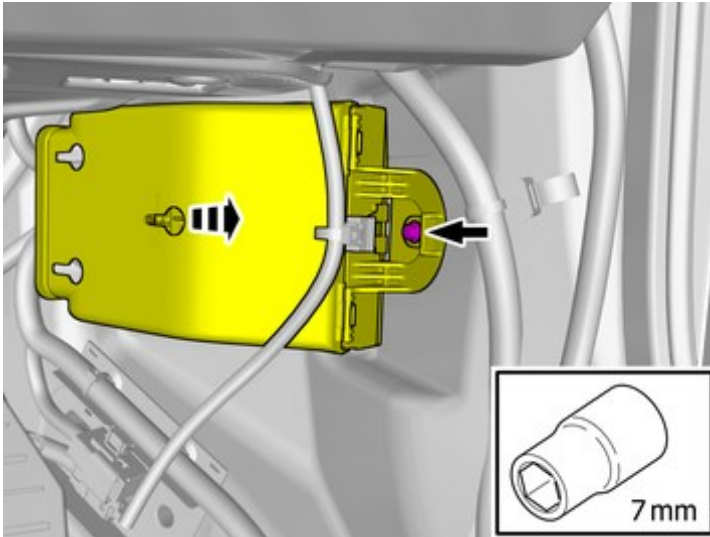
11



IMG-450396

Remove the cable harness clips.

12



IMG-450397

Remove the screw.

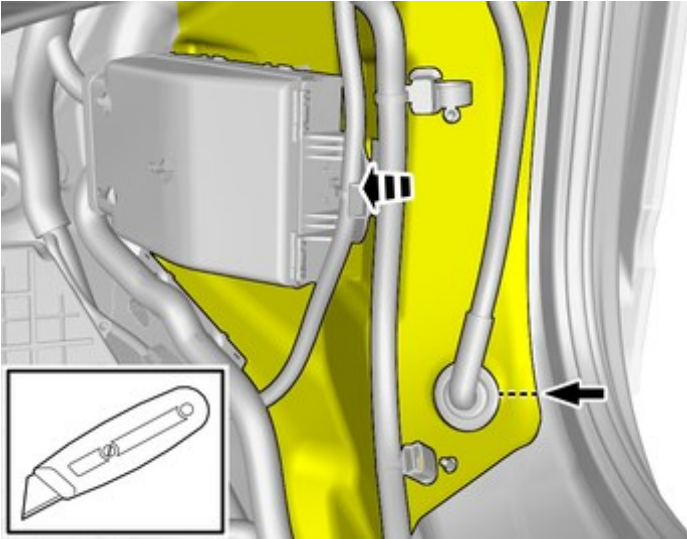
Loosen the component indicated. Do not remove it.



Installation instructions, accessories

Volvo Car Corporation Gothenburg, Sweden

13

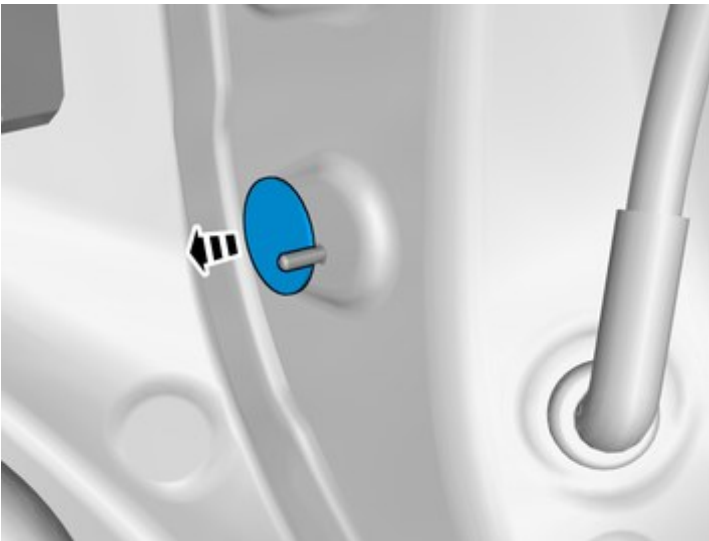


IMG-456079

Make a cut in the insulation.

Fold the insulation aside.

14



IMG-456080

Remove the marked part.

Remove any traces of glue.

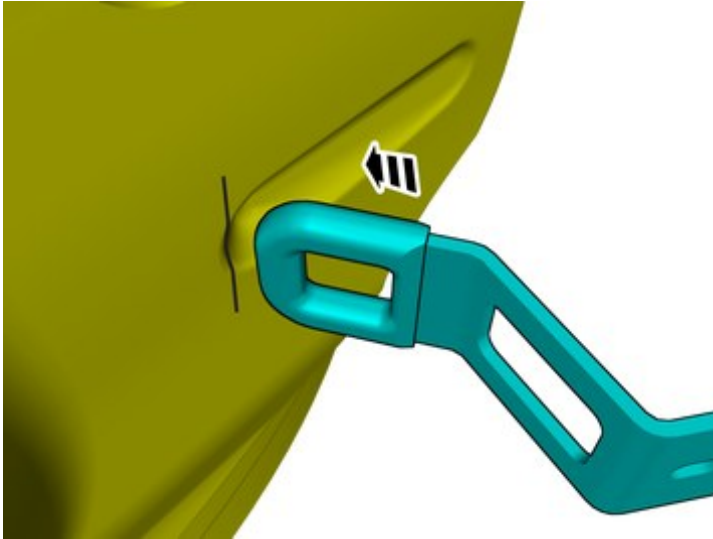
Accessory installation



Installation instructions, accessories

Volvo Car Corporation Gothenburg, Sweden

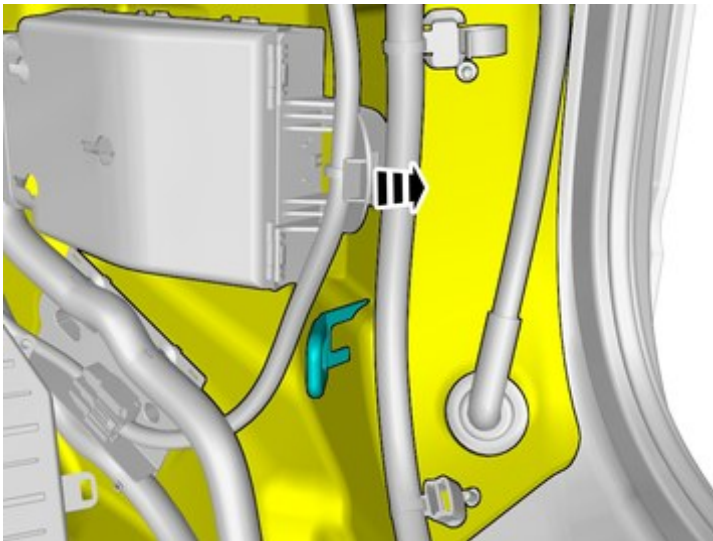
15



IMG-450401

Install component that comes with the accessory kit.

16



IMG-456081

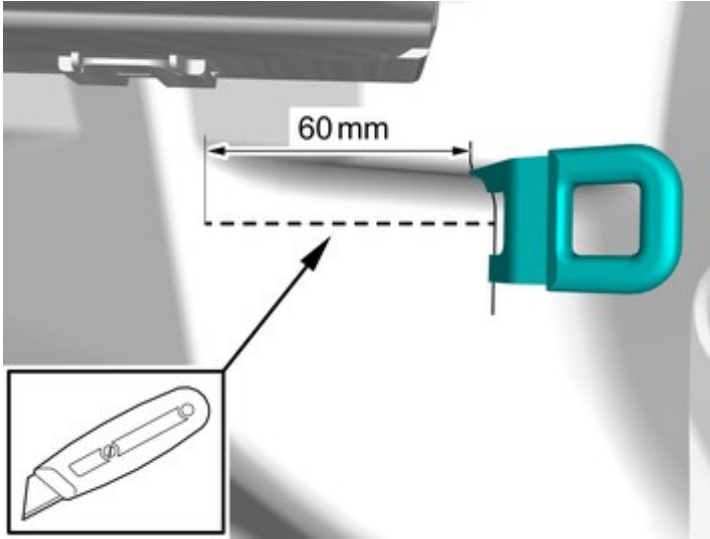
Refit the insulation.



Installation instructions, accessories

Volvo Car Corporation Gothenburg, Sweden

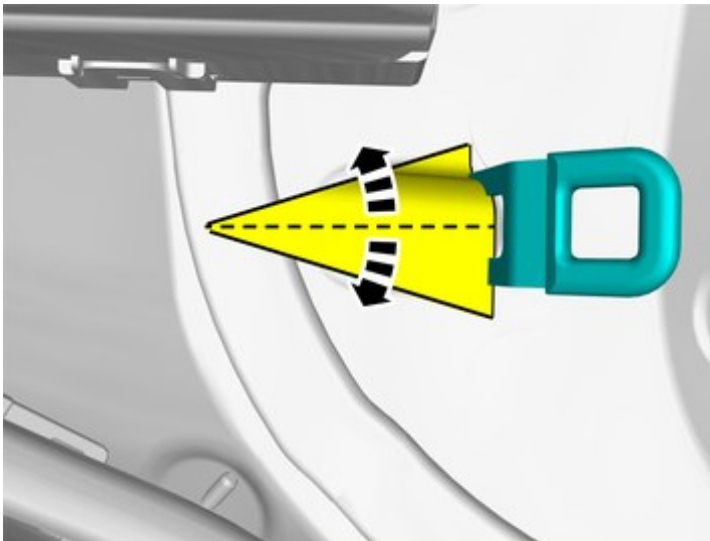
17



IMG-455982

Make a cut in the insulation.

18



IMG-450405

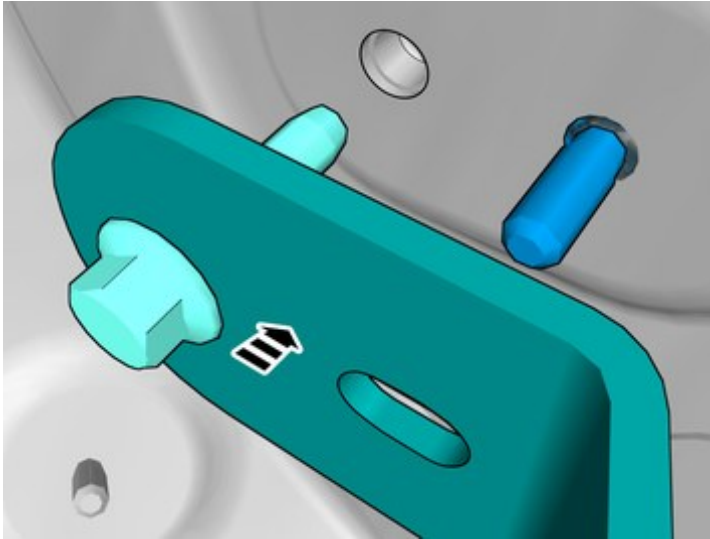
Fold the insulation aside.



Installation instructions, accessories

Volvo Car Corporation Gothenburg, Sweden

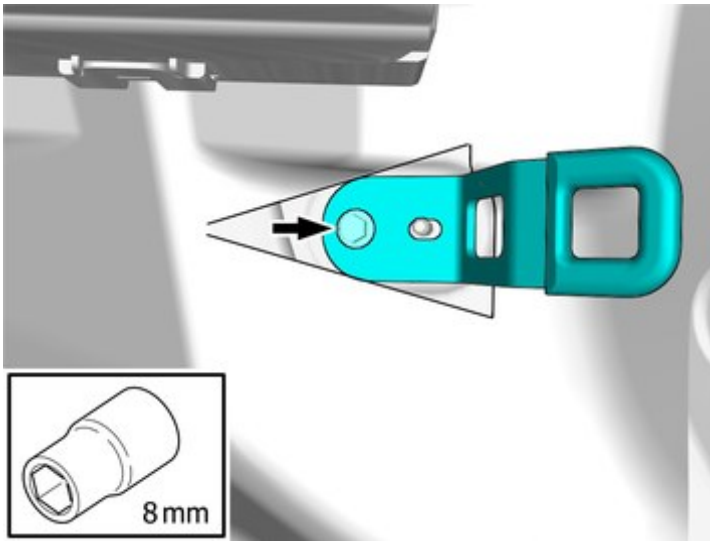
19



IMG-455980

Place the component where indicated in the graphic.

20



IMG-455981

Tighten the screw.

Tightening torque: Child seat mounting eyelet, outer , 7 Nm

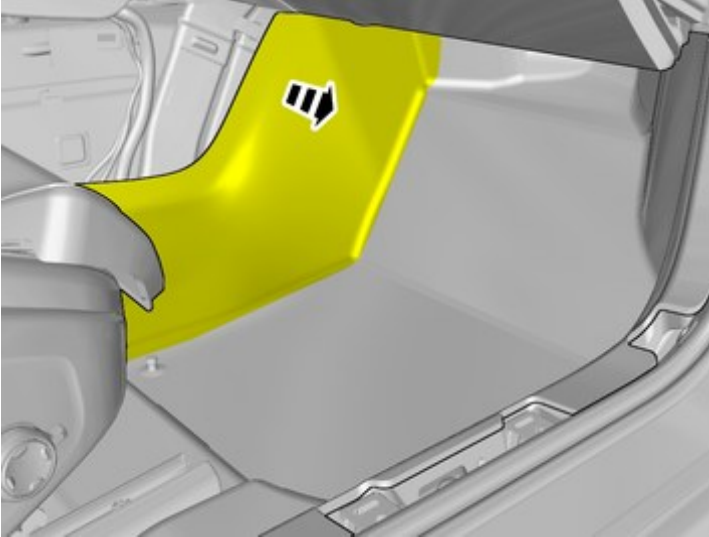
Removal



Installation instructions, accessories

Volvo Car Corporation Gothenburg, Sweden

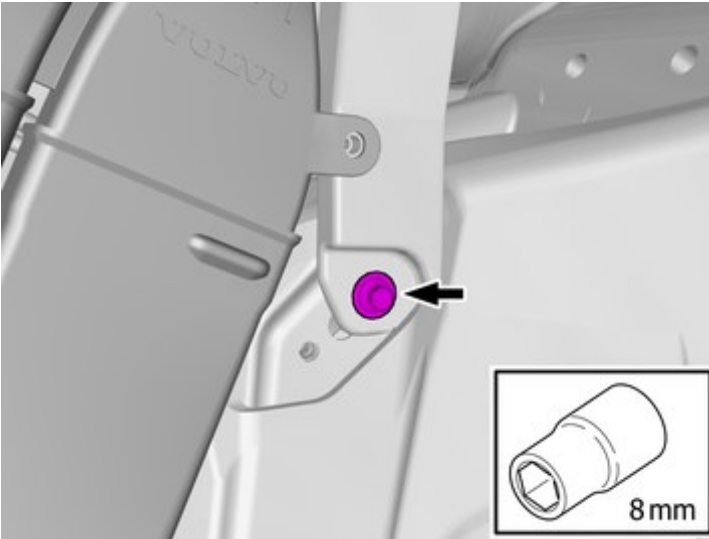
21



IMG-456003

Fold the carpet aside.

22



IMG-456082

Remove the screw.

The item is not to be reused.

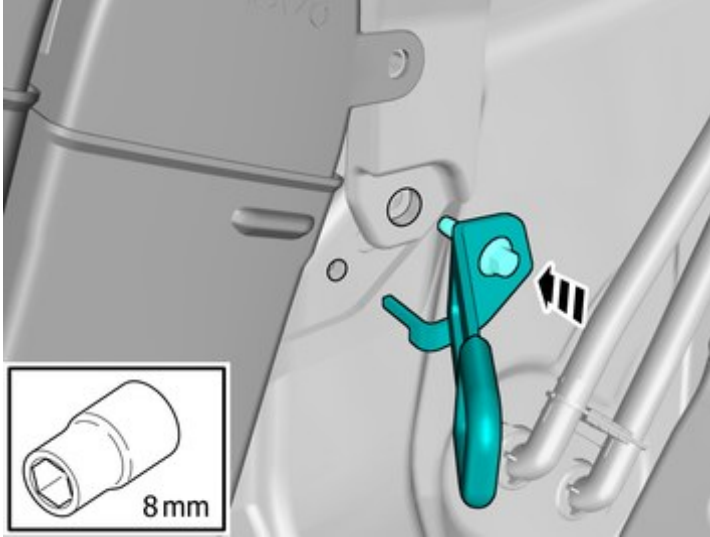
Accessory installation



Installation instructions, accessories

Volvo Car Corporation Gothenburg, Sweden

23



Install component that comes with the accessory kit.

Tighten the screw.

Tightening torque: Child seat mounting eyelet, inner , 13 Nm

Installation

24

Reinstall the removed parts in reverse order.