



# Installation instructions, accessories

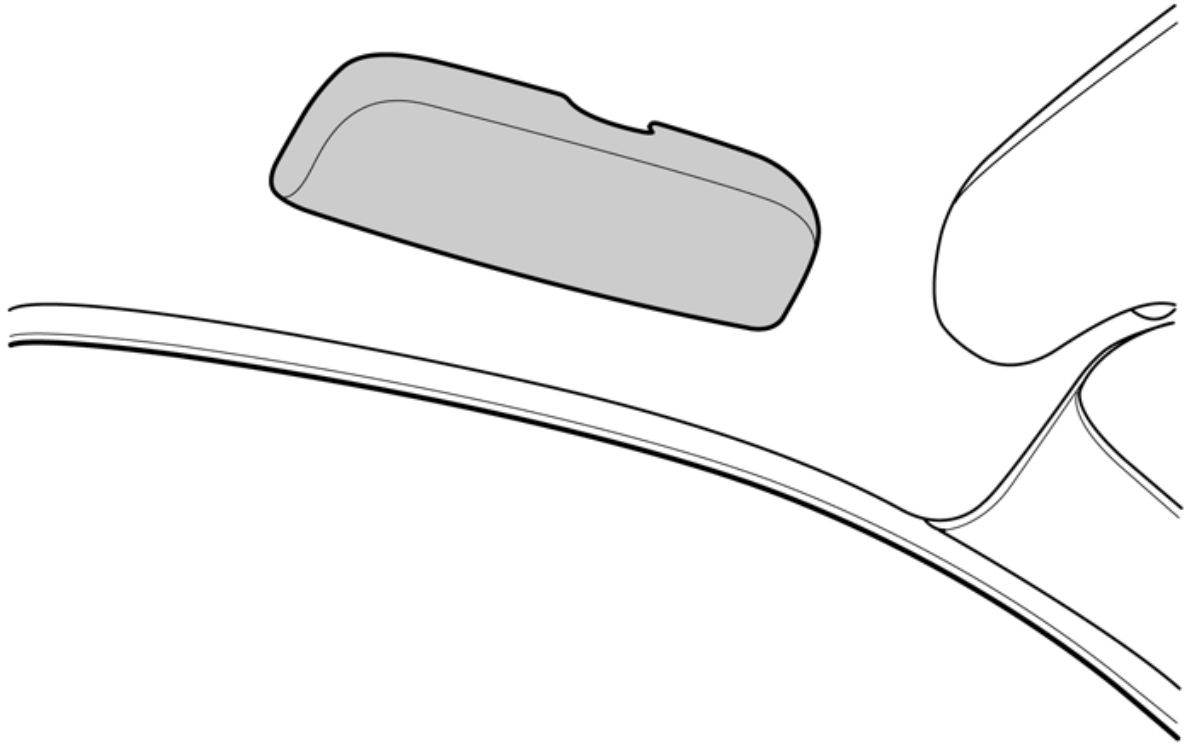
Volvo Car Corporation Gothenburg, Sweden

**Instruction No**  
30758109

**Version**  
1.1

**Part. No.**  
30740417, 30715737, 31403479

## Glasses holder, entry handle



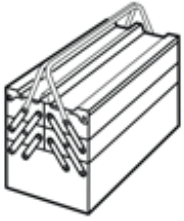
IMG-242360



# Installation instructions, accessories

Volvo Car Corporation Gothenburg, Sweden

## Equipment

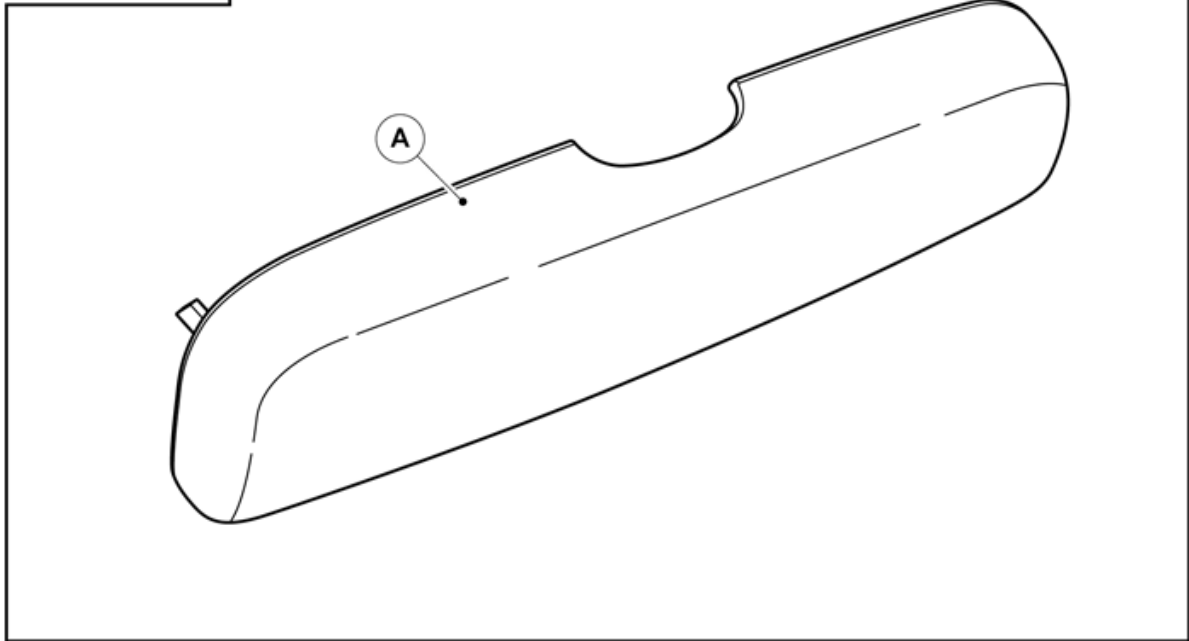


A0000162



IMG-239664

**Nm**  
**lbf.ft**



IMG-339492



# Installation instructions, accessories

Volvo Car Corporation Gothenburg, Sweden

## INTRODUCTION

Read through all of the instructions before starting installation.

Notifications and warning texts are for your safety and to minimise the risk of something breaking during installation.

Ensure that all tools stated in the instructions are available before starting installation.

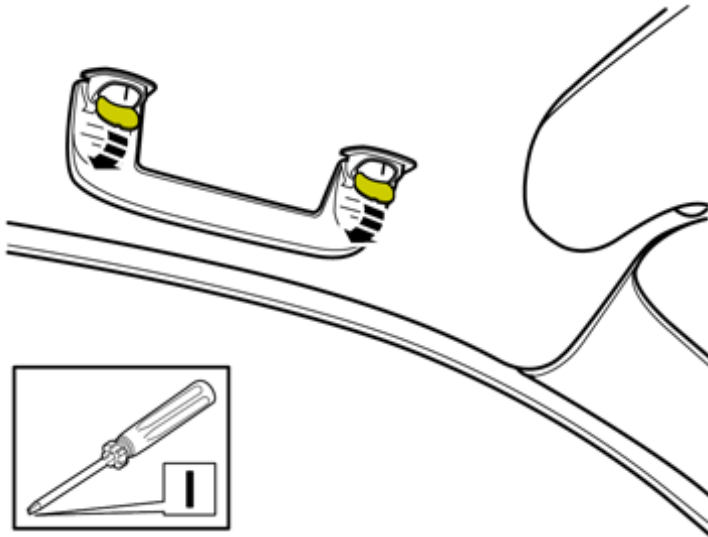
Certain steps in the instructions are only presented in the form of images. Explanatory text is also given for more complicated steps.

In the event of any problems with the instructions or the accessory, contact your local Volvo dealer.

### Note!

Some steps in these installation instructions are presented with illustration only.

1



IMG-339485

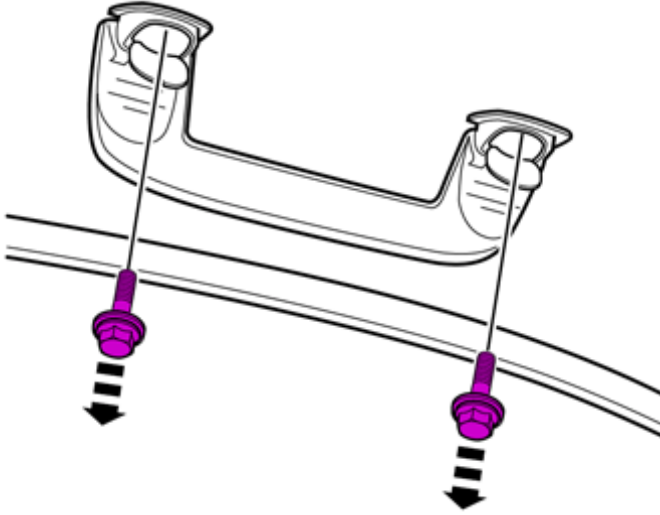
Use: Electrician's screwdriver



# Installation instructions, accessories

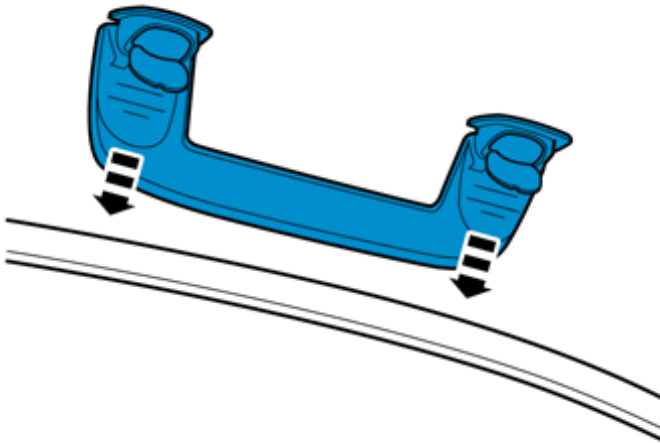
Volvo Car Corporation Gothenburg, Sweden

2



IMG-339493

3



This will not be reused.

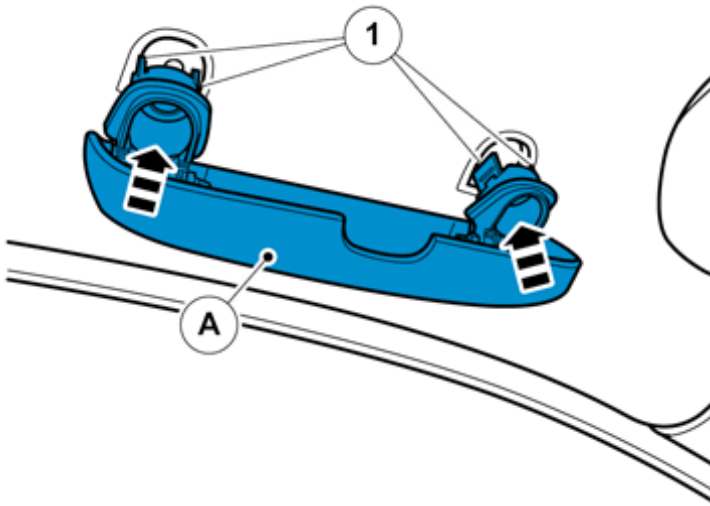
IMG-339482



# Installation instructions, accessories

Volvo Car Corporation Gothenburg, Sweden

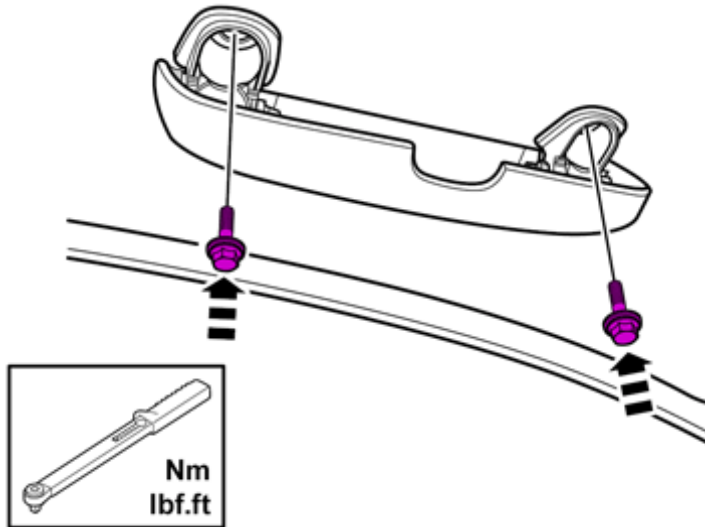
4



Make sure that the four retaining plates (1) sit on each side of the nut plates where the glasses holder will be fastened. If there is not enough room for the plate, it can be broken off and discarded.

IMG-339483

5



Torque tighten the screws to 8Nm (6 lbf.ft.)

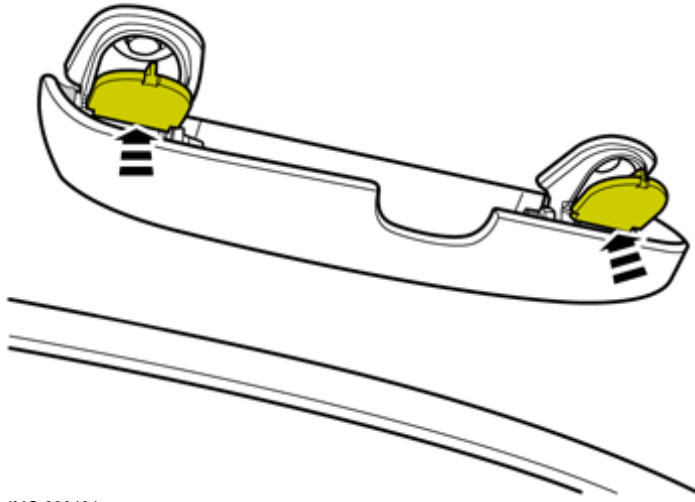
IMG-339494



# Installation instructions, accessories

Volvo Car Corporation Gothenburg, Sweden

6



IMG-339484