

Installation instructions, accessories

Volvo Car Corporation Gothenburg, Sweden

Instruction No 31399112 **Version** 1.0 **Part. No.** 32270876, 32270877

Digital radio, DAB (Plug-in Hybrid)

Special tools

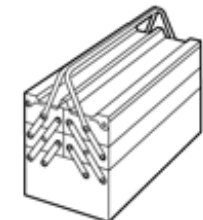
999 5919 PULLER (SEAL-PINION,CAM-CRANKSHAFT)B200-6304

Tool number:999 5919

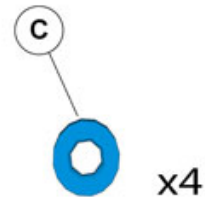
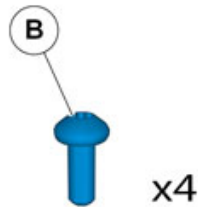
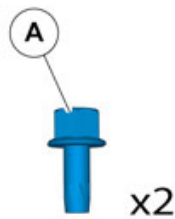
Tool description:PULLER (SEAL-PINION,CAM-CRANKSHAFT)B200-6304

Tool boards:46

Equipment



Nm
lbf.ft



IMG-373976

Installation instructions, accessories

Volvo Car Corporation Gothenburg, Sweden

Installation instructions, accessories

Volvo Car Corporation Gothenburg, Sweden

Information

1

Read through all of the instructions before starting installation.

Notifications and warning texts are for your safety and to minimise the risk of something breaking during installation.

Ensure that all tools stated in the instructions are available before starting installation.

Certain steps in the instructions are only presented in the form of images. Explanatory text is also given for more complicated steps.

In the event of any problems with the instructions or the accessory, contact your local Volvo dealer.

2



IMG-373194

Warning!

Observe caution when working near the high voltage system.

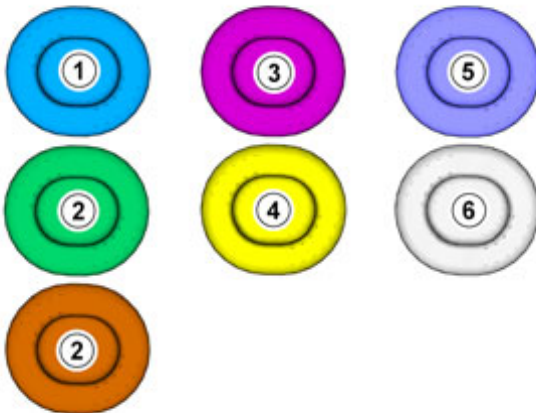
This car is equipped with a high voltage type electrical system.

Components in the high voltage system work with dangerous voltages.

These components are connected with orange wires.

Color symbols

3



IMG-363036

Note!

This colour chart displays (in colour print and electronic version) the importance of the different colours used in the images of the method steps.

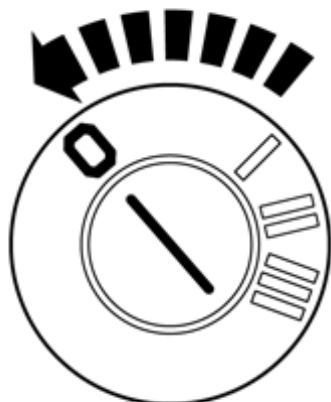
1. Used for focused component, the component with which you will do something.
2. Used as extra colors when you need to show or differentiate additional parts.
3. Used for attachments that are to be removed/installed. May be screws, clips, connectors, etc.
4. Used when the component is not fully removed from the vehicle but only hung to the side.
5. Used for standard tools and special tools.
6. Used as background color for vehicle components.

Installation instructions, accessories

Volvo Car Corporation Gothenburg, Sweden

4

Set the ignition key to position 0.



IMG-332193

Removal

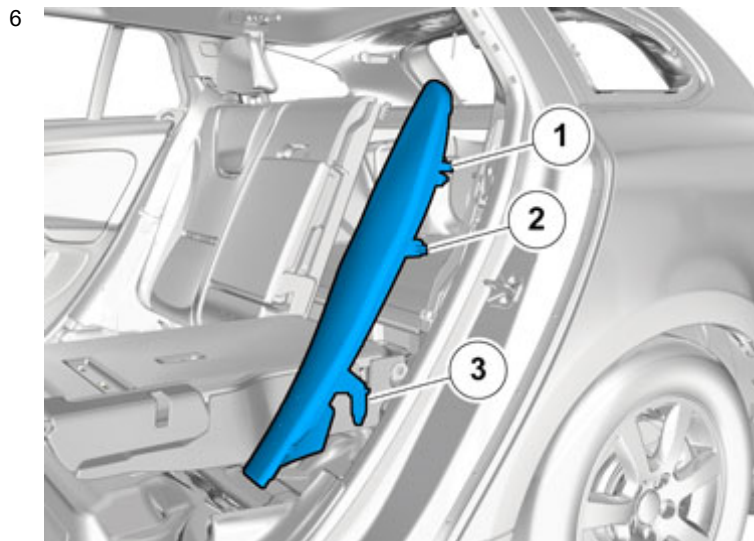
5



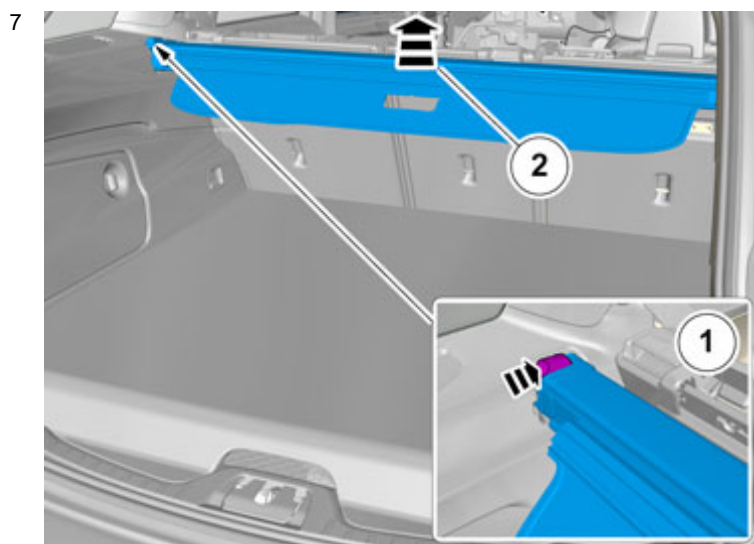
IMG-343672

Installation instructions, accessories

Volvo Car Corporation Gothenburg, Sweden



IMG-343673

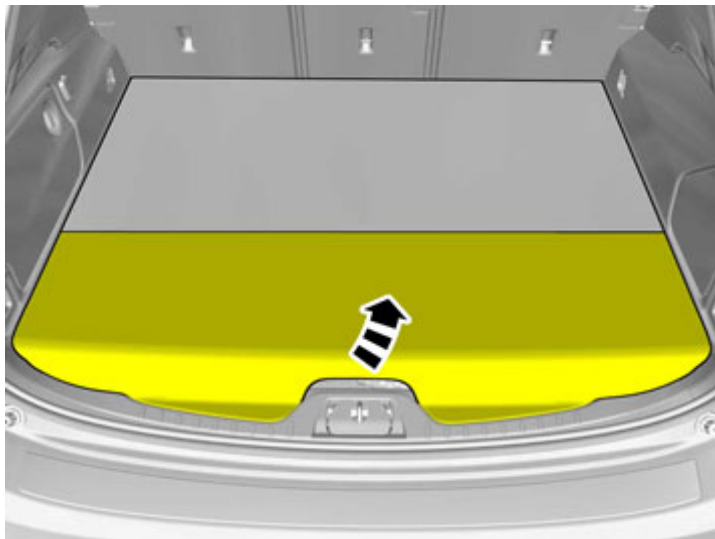


IMG-372430

Installation instructions, accessories

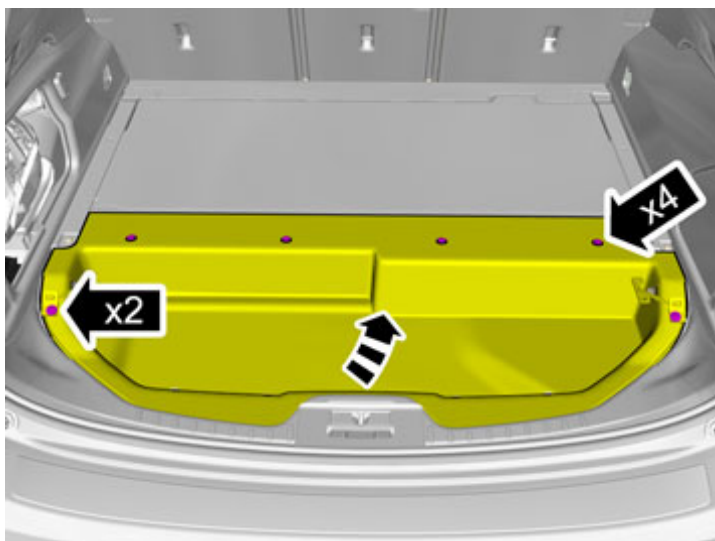
Volvo Car Corporation Gothenburg, Sweden

8



IMG-372058

9



IMG-372060

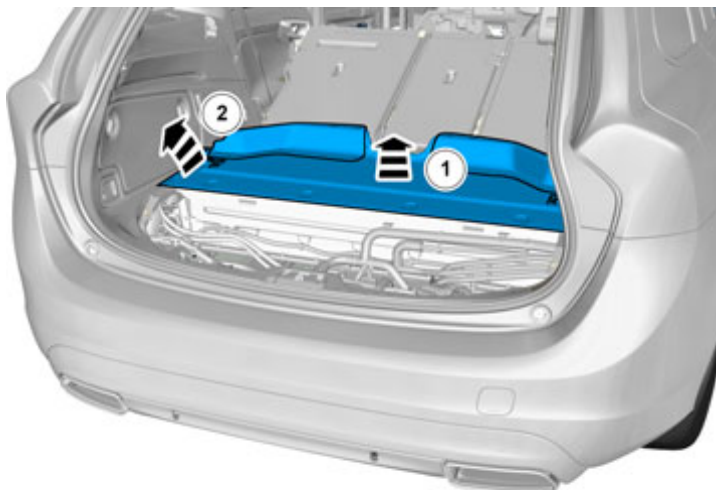
Remove the clips.

Remove the screws.

Installation instructions, accessories

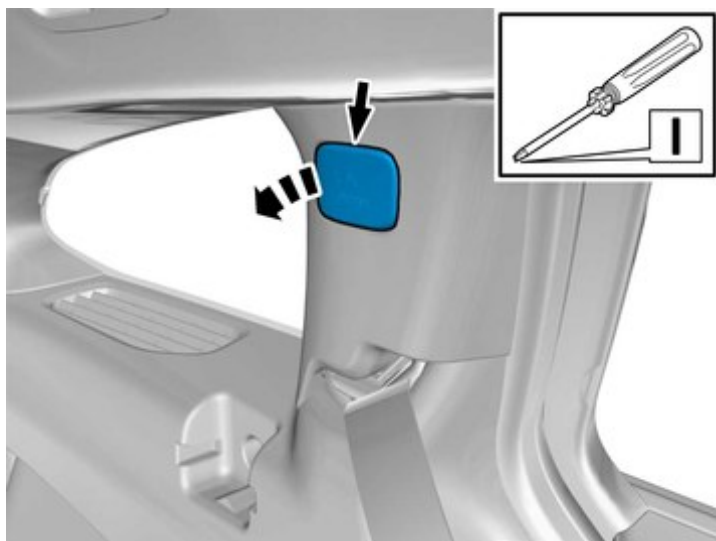
Volvo Car Corporation Gothenburg, Sweden

10



IMG-372428

11



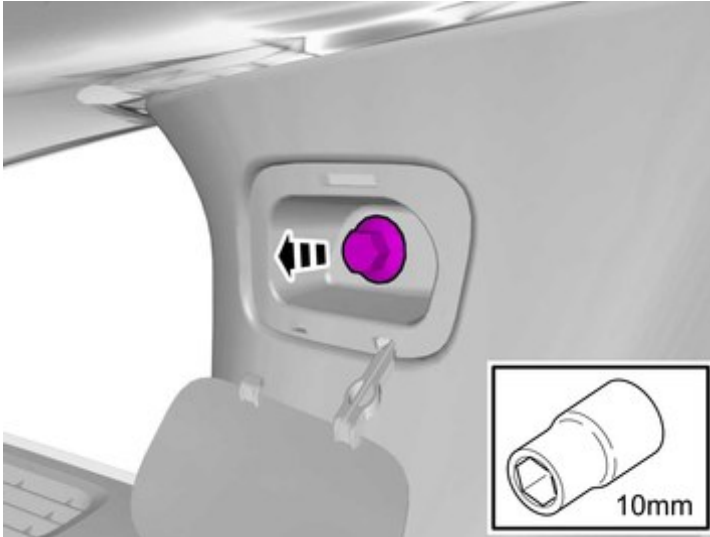
Remove the panel.

IMG-343676

Installation instructions, accessories

Volvo Car Corporation Gothenburg, Sweden

12



IMG-343677

Remove the screw.

13



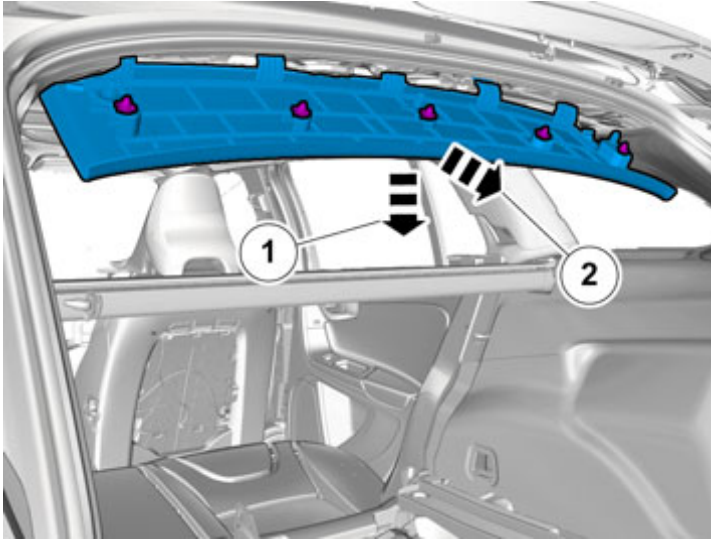
IMG-343678

Remove the panel.

Installation instructions, accessories

Volvo Car Corporation Gothenburg, Sweden

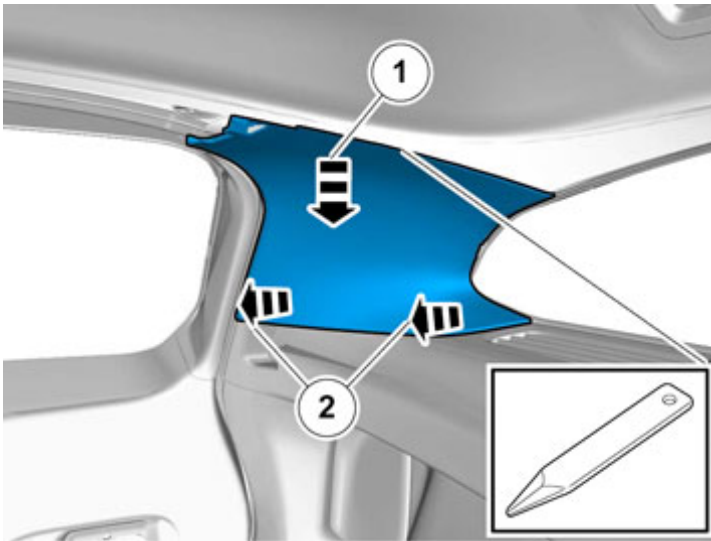
14



IMG-343420

Remove the panel.

15



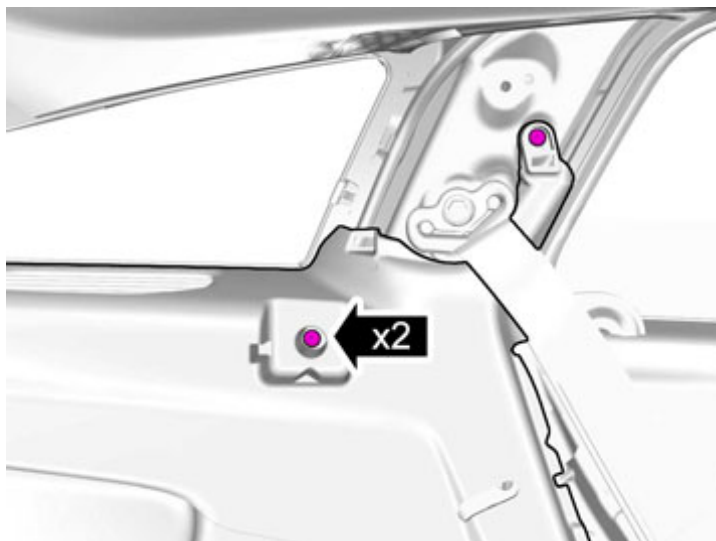
IMG-343679

Remove the panel.

Installation instructions, accessories

Volvo Car Corporation Gothenburg, Sweden

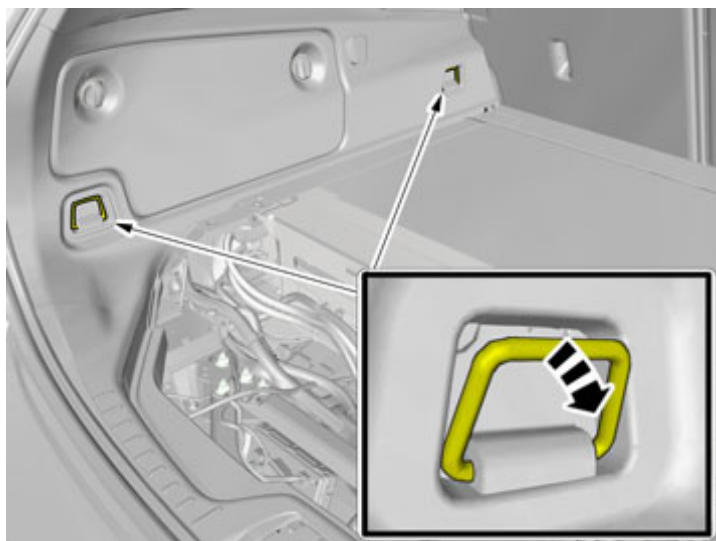
16



IMG-343680

Remove the screws.

17

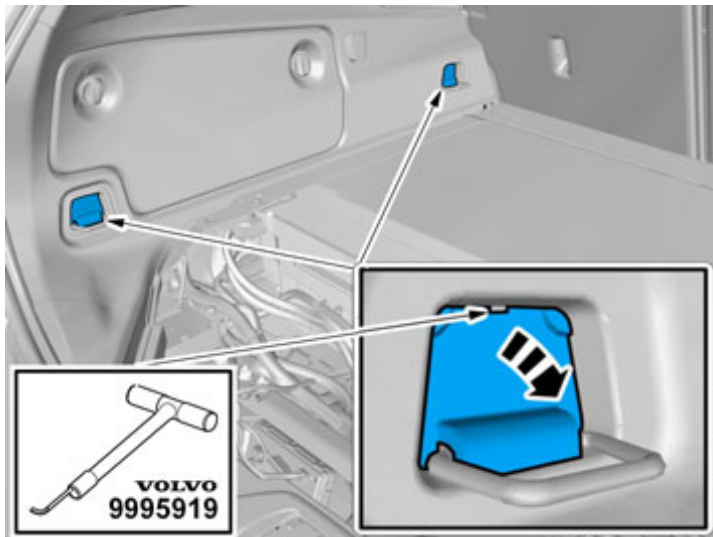


IMG-372498

Installation instructions, accessories

Volvo Car Corporation Gothenburg, Sweden

18



IMG-372446

Remove the panel.

Use special tool: T9995919, PULLER (SEAL-PINION,CAM-CRANKSHAFT)B200-6304

Tightening torque: M6 , 10 Nm

19



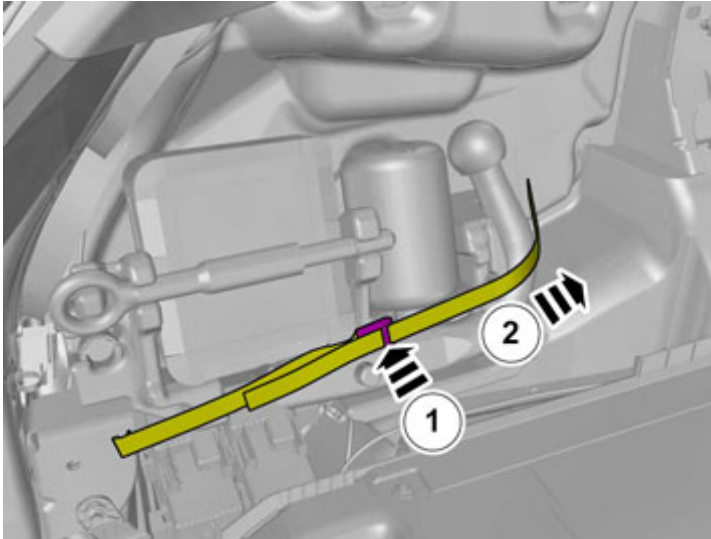
IMG-372447

Remove the panel.

Installation instructions, accessories

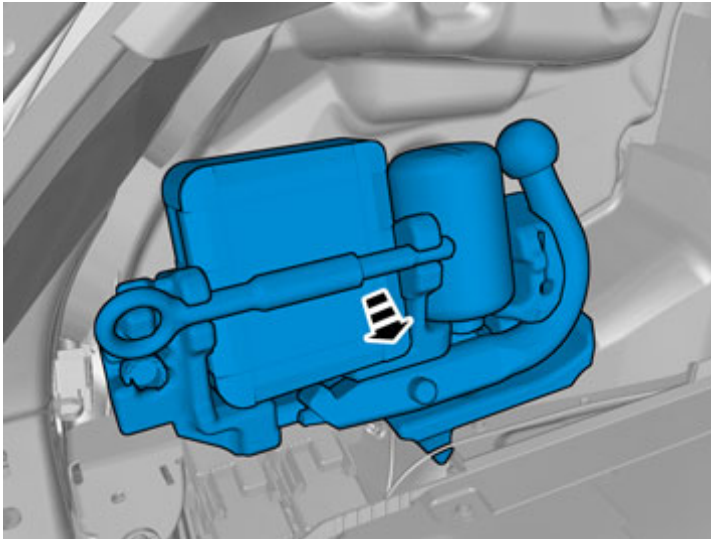
Volvo Car Corporation Gothenburg, Sweden

20



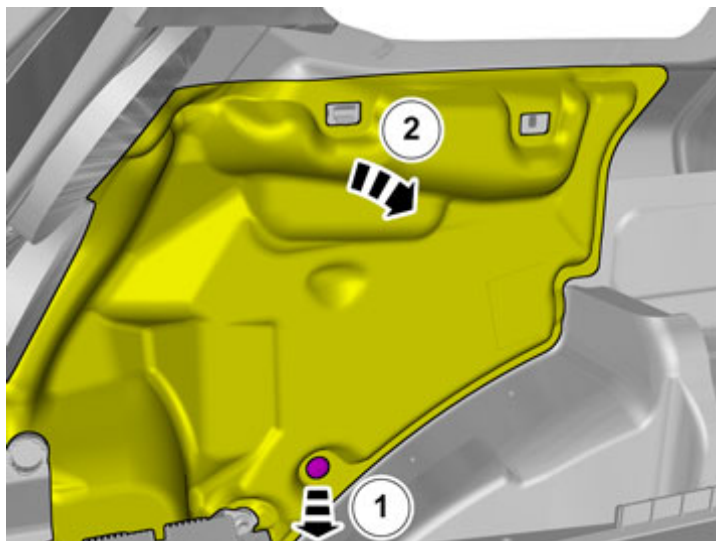
IMG-374603

21



IMG-374604

22



IMG-374602

Accessory installation

Vehicles with TV-receiver

23



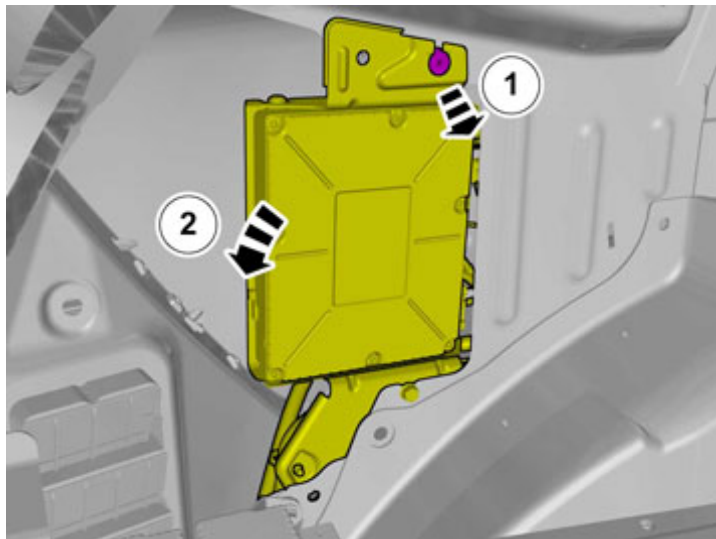
IMG-374639

1. Remove the screws.
2. Loosen the screws.

Installation instructions, accessories

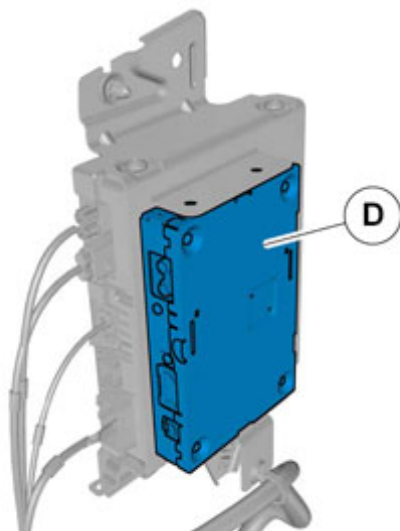
Volvo Car Corporation Gothenburg, Sweden

24



IMG-375734

25

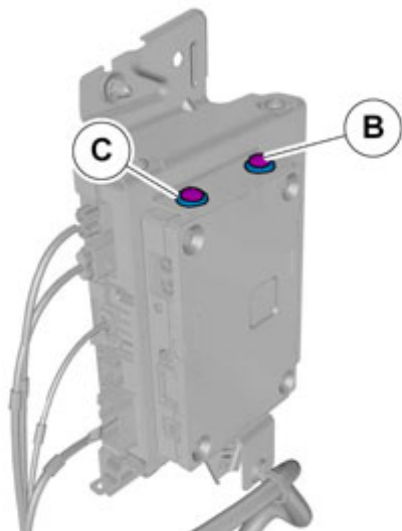


IMG-375749

Installation instructions, accessories

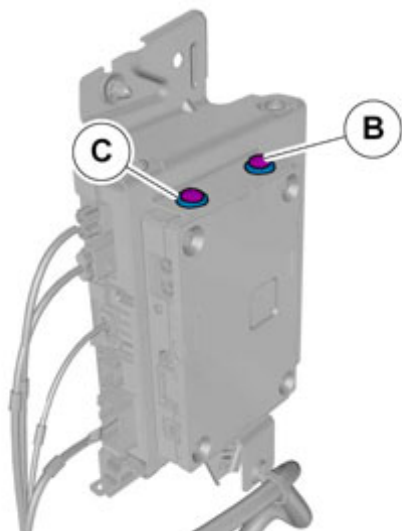
Volvo Car Corporation Gothenburg, Sweden

26



IMG-375750

27



IMG-375750

28

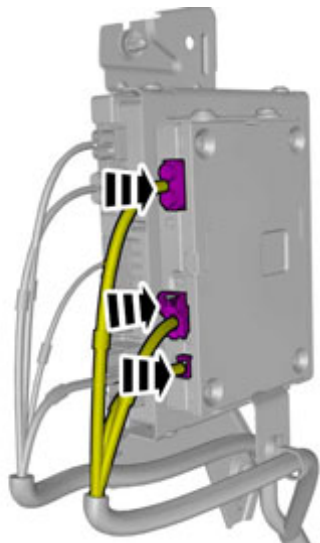
Locate the pre-routed connectors.

Installation instructions, accessories

Volvo Car Corporation Gothenburg, Sweden

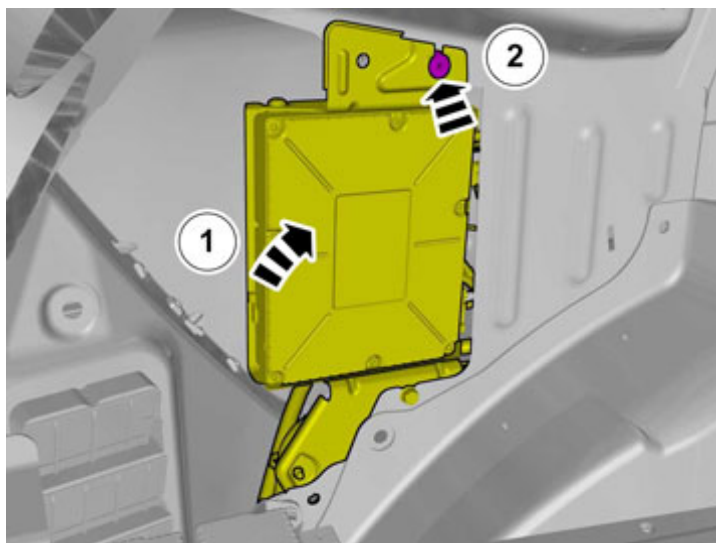
29

Connect the prerouted cables.



IMG-375772

30

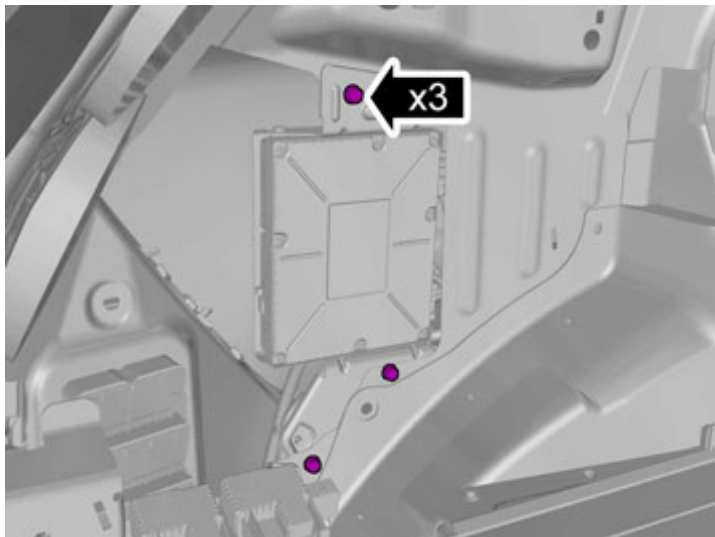


IMG-375773

Installation instructions, accessories

Volvo Car Corporation Gothenburg, Sweden

31

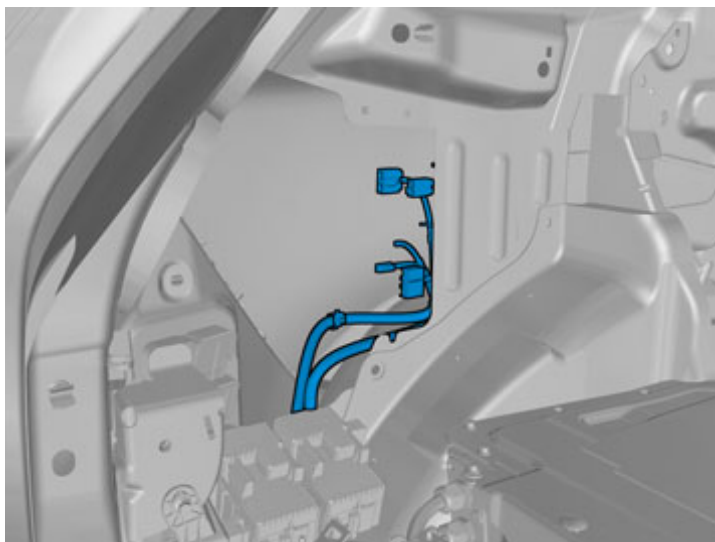


IMG-375774

Tightening torque: M6 , 10 Nm

Vehicles with TV-receiver

32



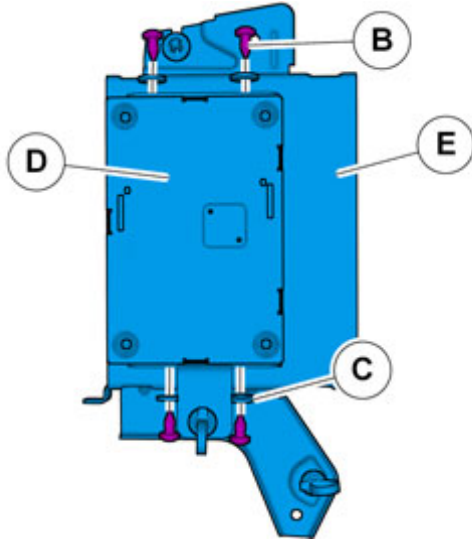
IMG-375786

Locate the pre-routed connectors.

Installation instructions, accessories

Volvo Car Corporation Gothenburg, Sweden

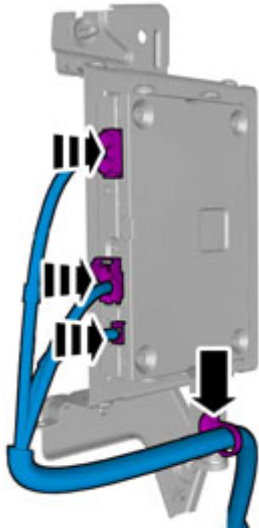
33



IMG-375785

34

Connect the connectors.

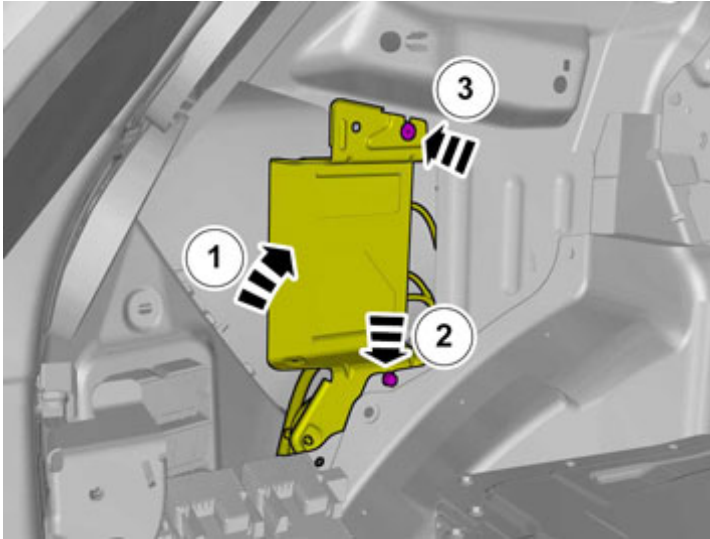


IMG-375790

Installation instructions, accessories

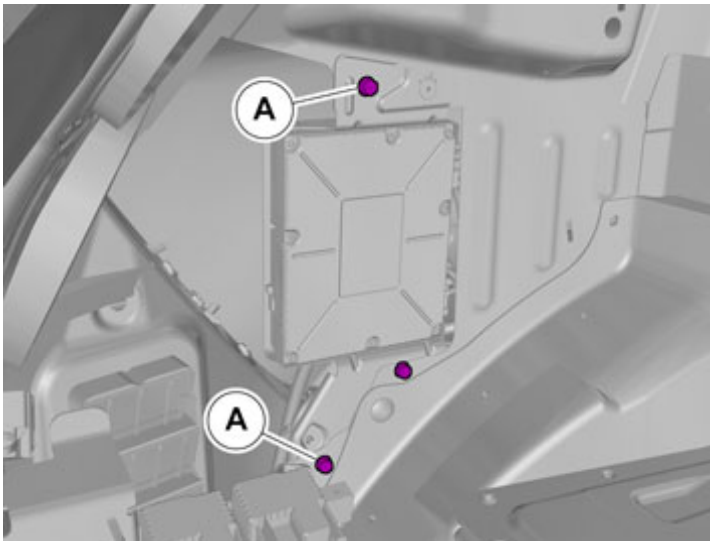
Volvo Car Corporation Gothenburg, Sweden

35



IMG-375792

36



IMG-375793

Tightening torque: M6 , 10 Nm

Installation

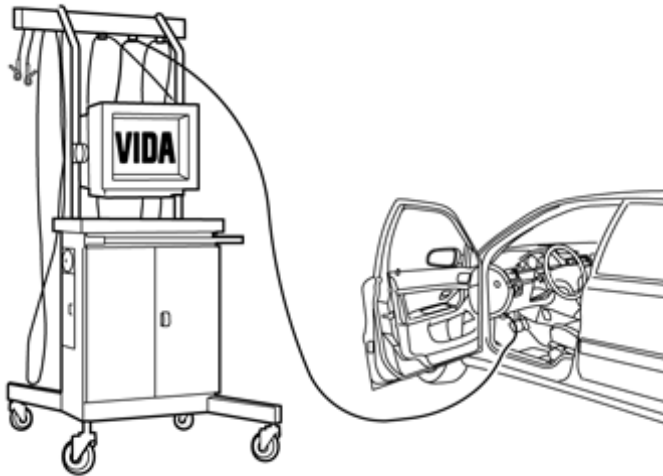
37

Reinstall the removed parts in reverse order.

Installation instructions, accessories

Volvo Car Corporation Gothenburg, Sweden

38



IMG-242268

Download software (application) for the accessory's function according to the service information in VIDA. See VIDA or the accessories catalogue for software part number.