



# Installation instructions, accessories

Volvo Car Corporation Gothenburg, Sweden

**Instruction No**  
30756550

**Version**  
1.4

**Part. No.**  
31408842, 30756551

## Towbar, fixed



IMG-355027



# Installation instructions, accessories

Volvo Car Corporation Gothenburg, Sweden

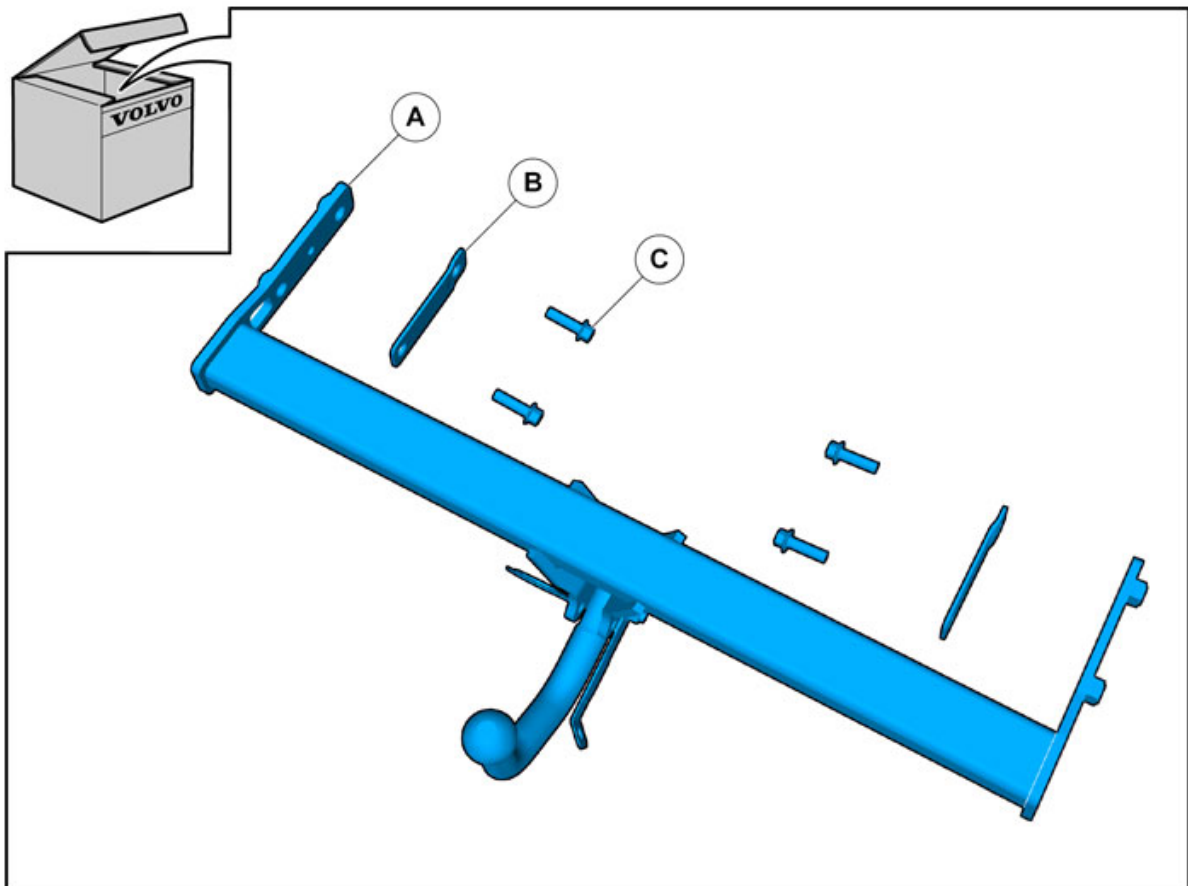
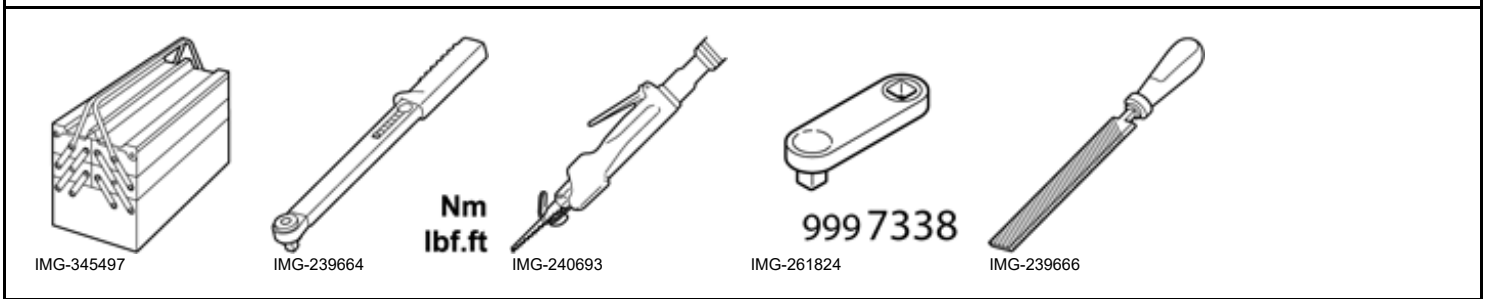
## Special tools

	999 7338 Extension rod Tool number:999 7338 Tool description:Extension rod Tool boards:80
--	--

## Materials

Designation	Part number
Rust inhibitor, low viscosity	
Rust inhibitor	

## Equipment



IMG-355047



# Installation instructions, accessories

Volvo Car Corporation Gothenburg, Sweden



# Installation instructions, accessories

Volvo Car Corporation Gothenburg, Sweden

## Information

1

Read through all of the instructions before starting installation.

Notifications and warning texts are for your safety and to minimise the risk of something breaking during installation.

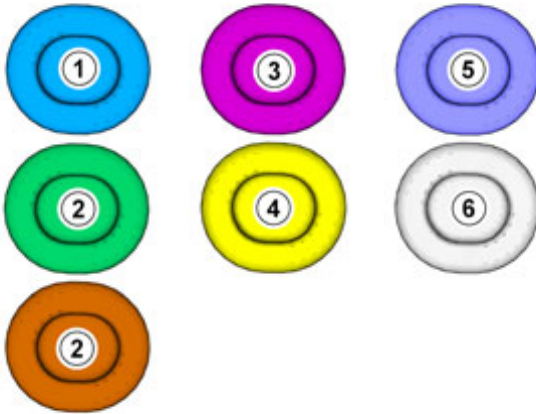
Ensure that all tools stated in the instructions are available before starting installation.

Certain steps in the instructions are only presented in the form of images. Explanatory text is also given for more complicated steps.

In the event of any problems with the instructions or the accessory, contact your local Volvo dealer.

## Color symbols

2



### Note!

This colour chart displays (in colour print and electronic version) the importance of the different colours used in the images of the method steps.

1. Used for focused component, the component with which you will do something.
2. Used as extra colors when you need to show or differentiate additional parts.
3. Used for attachments that are to be removed/installed. May be screws, clips, connectors, etc.
4. Used when the component is not fully removed from the vehicle but only hung to the side.
5. Used for standard tools and special tools.
6. Used as background color for vehicle components.

IMG-363036

## Removal



# Installation instructions, accessories

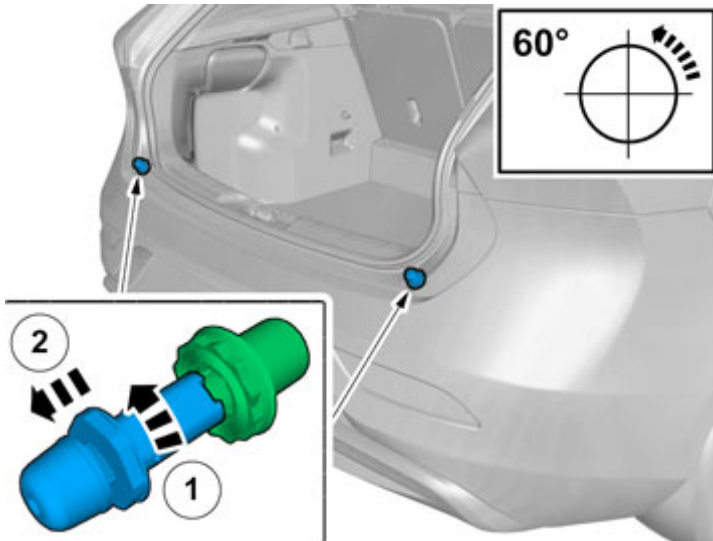
Volvo Car Corporation Gothenburg, Sweden

3



IMG-354413

4



Note position of components.

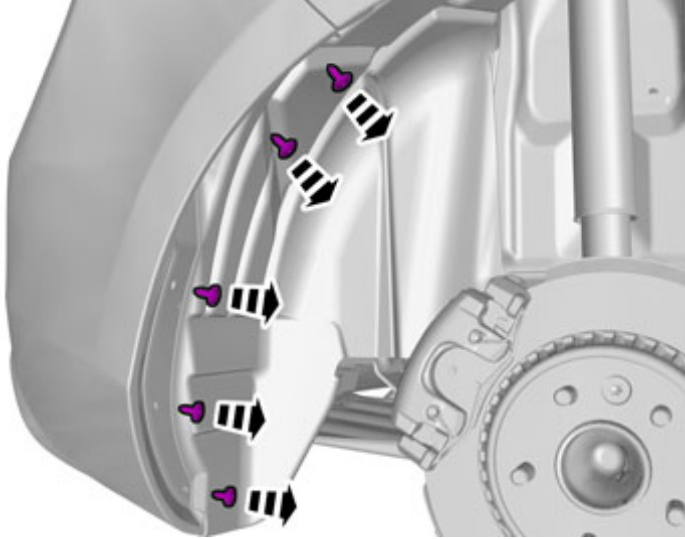
IMG-355063



# Installation instructions, accessories

Volvo Car Corporation Gothenburg, Sweden

5

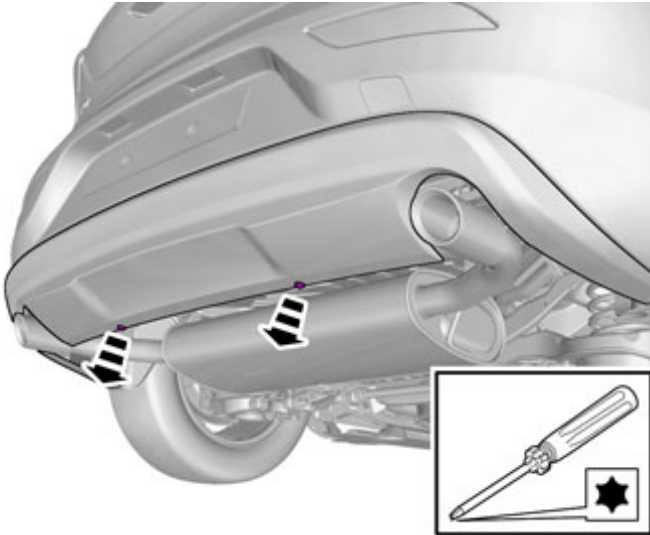


IMG-355068

Remove the screws.

Repeat on the other side.

6



IMG-374150

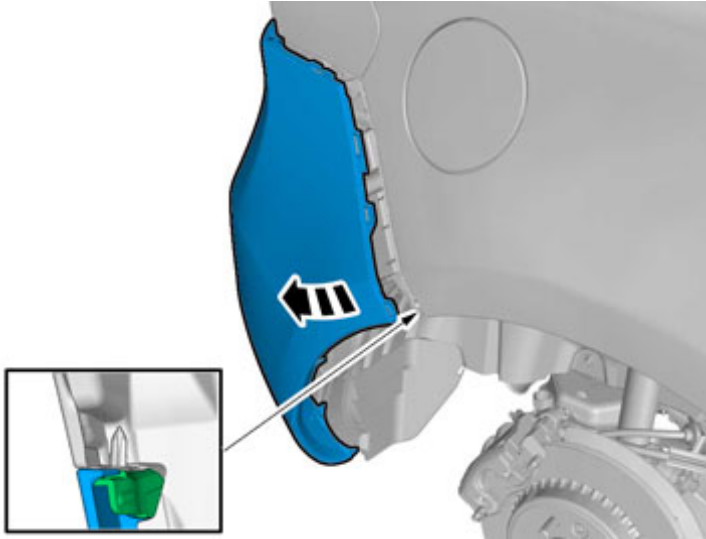
Remove the screws.



# Installation instructions, accessories

Volvo Car Corporation Gothenburg, Sweden

7

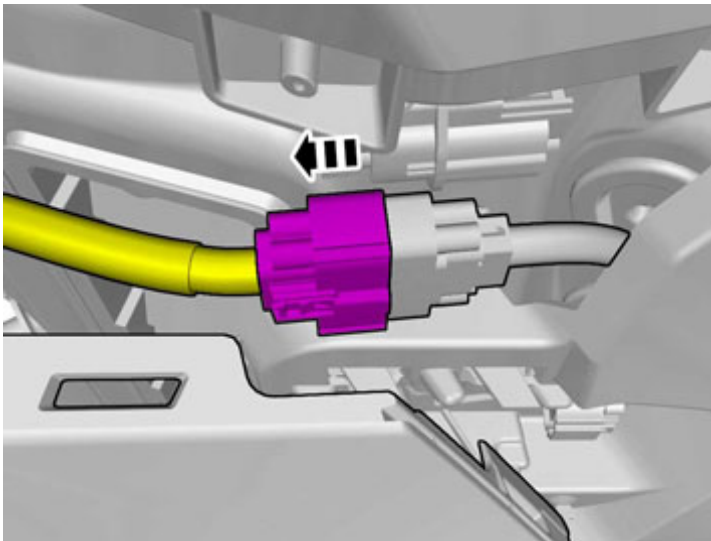


IMG-355092

**Note!**  
Note the position.

Repeat on the other side.

8



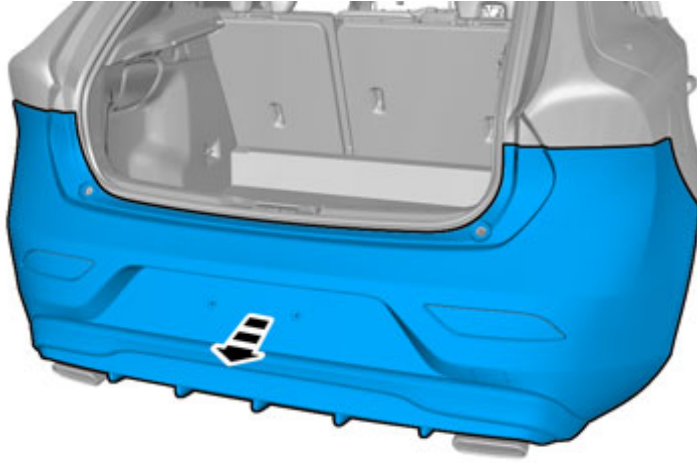
IMG-355184



# Installation instructions, accessories

Volvo Car Corporation Gothenburg, Sweden

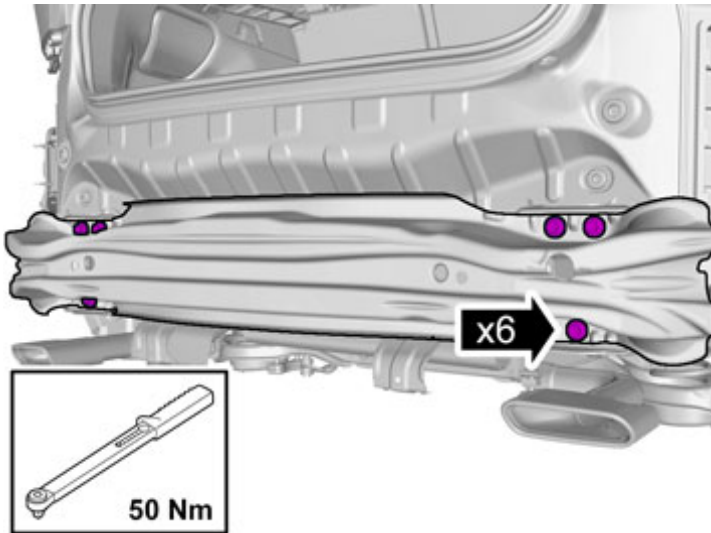
9



Request the aid of a colleague for this procedure.

IMG-355166

10



**Note!**

The screws are to be reused.

Remove the screws.

**Tightening torque:** M10 , 50 Nm

IMG-355191

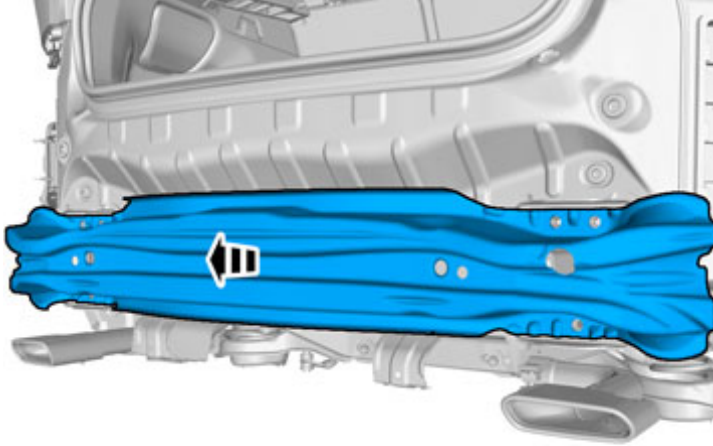




# Installation instructions, accessories

Volvo Car Corporation Gothenburg, Sweden

11

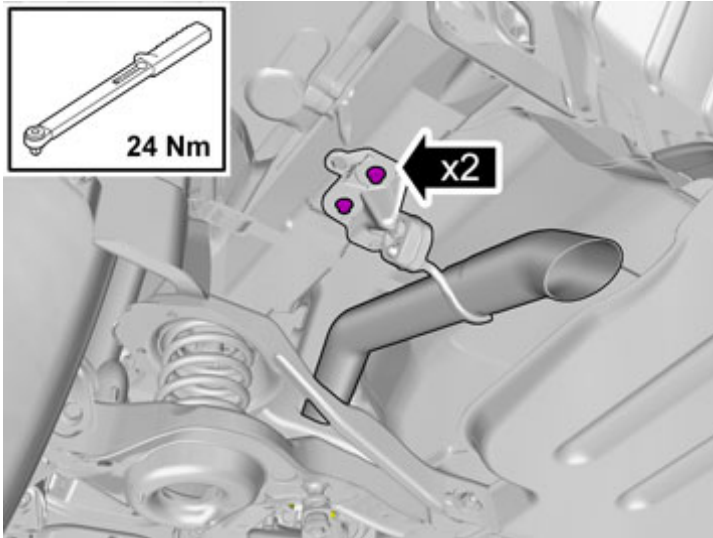


**Caution!**  
The part is to be reused.

IMG-365913

**Applies to vehicles with single end pipe**

12



Remove the screws.

**Tightening torque: M8 , 24 Nm**

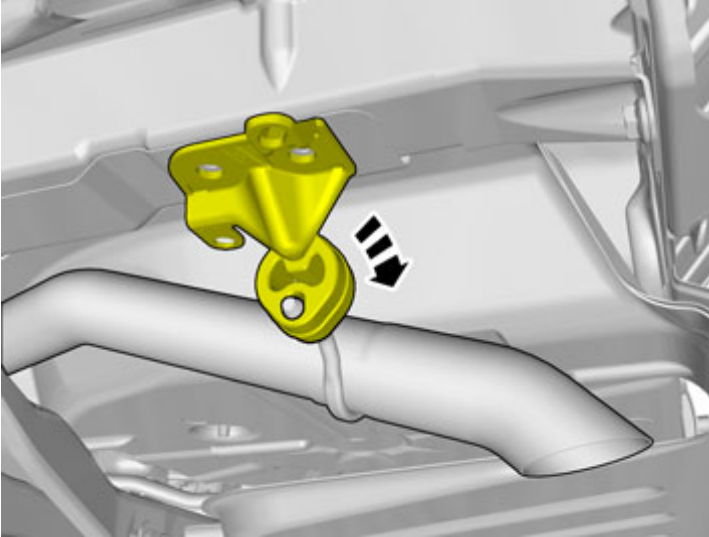
IMG-365832



# Installation instructions, accessories

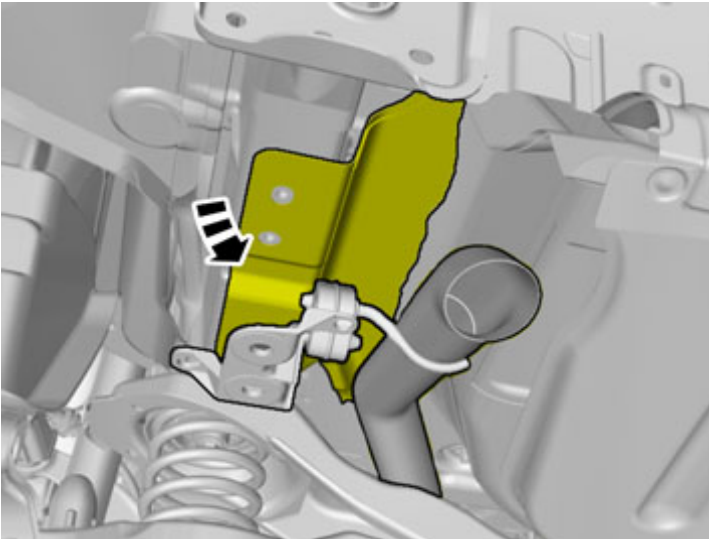
Volvo Car Corporation Gothenburg, Sweden

13



IMG-365833

14



IMG-365834

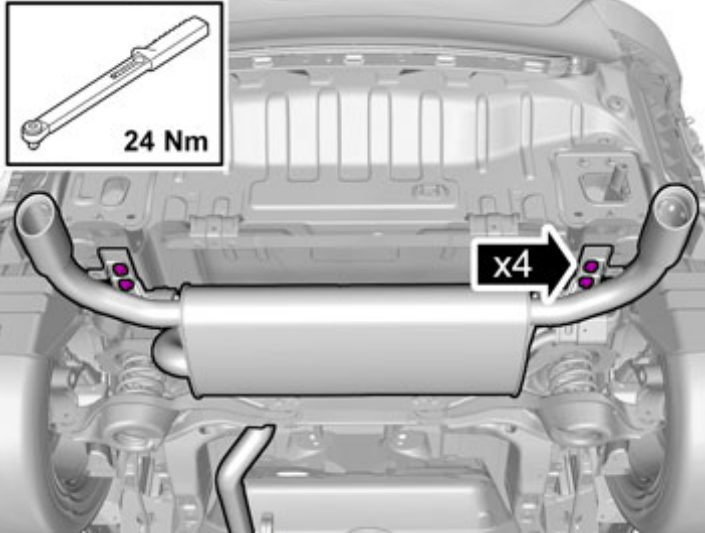
**Applies to vehicles with double end pipe**



# Installation instructions, accessories

Volvo Car Corporation Gothenburg, Sweden

15

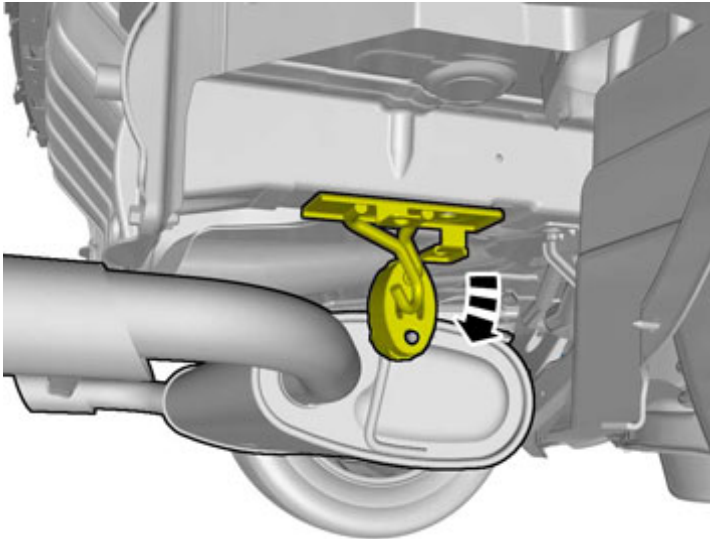


IMG-355199

Remove the screws.

**Tightening torque: M8 , 24 Nm**

16



IMG-355341

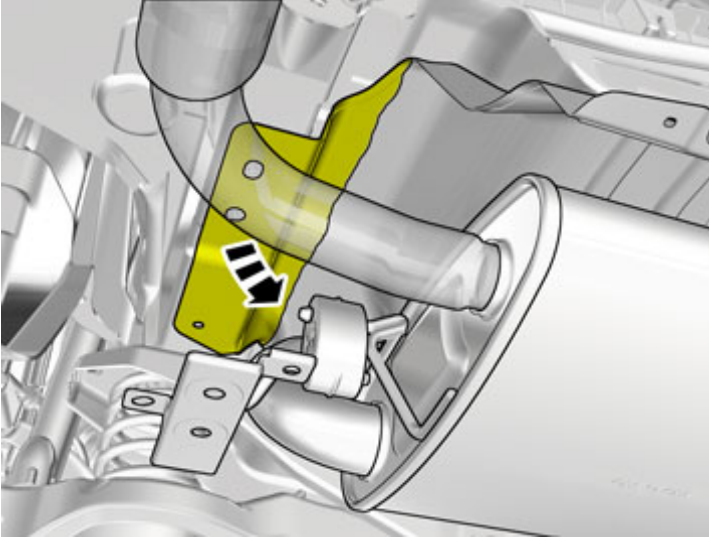
Repeat on the other side.



# Installation instructions, accessories

Volvo Car Corporation Gothenburg, Sweden

17

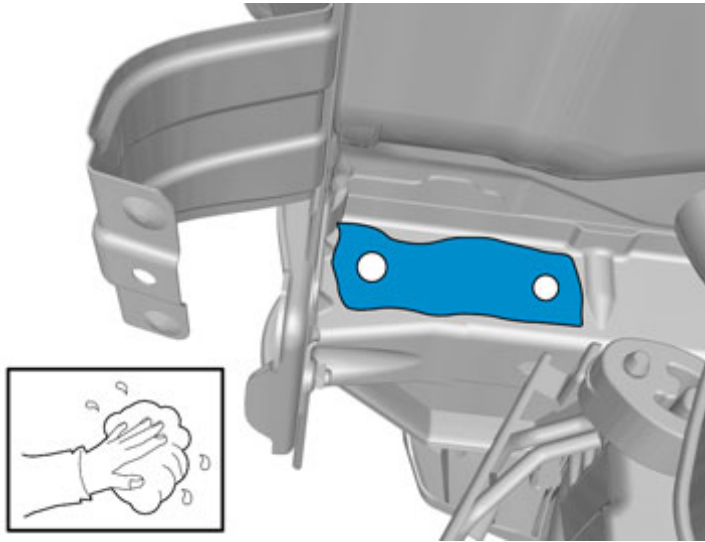


IMG-355472

Repeat on the other side.

## All vehicles

18



IMG-355344

Scrape off all sealant from the flat surface.

Clean the surface.

Repeat on the other side.

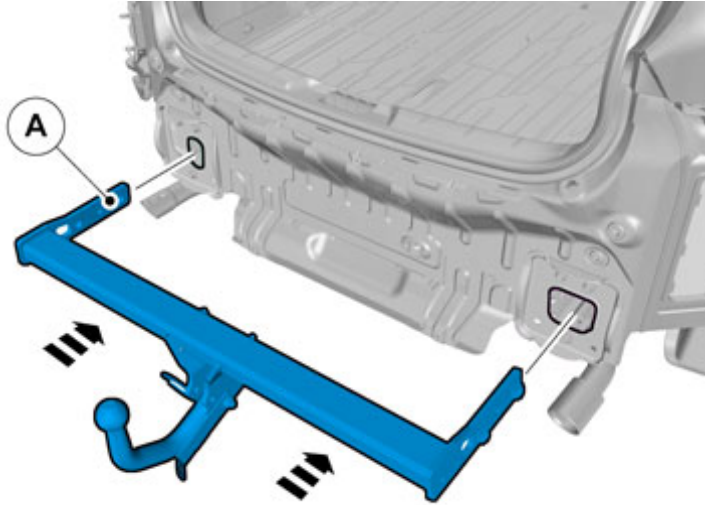
## Accessory installation



# Installation instructions, accessories

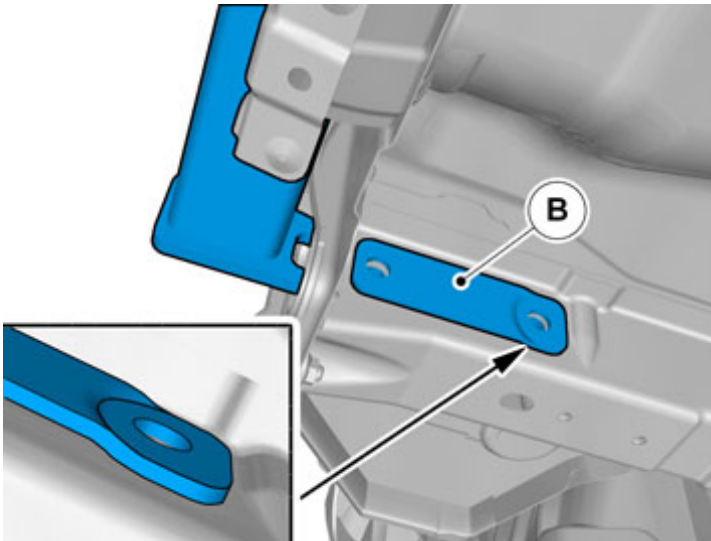
Volvo Car Corporation Gothenburg, Sweden

19



IMG-355325

20



IMG-355355

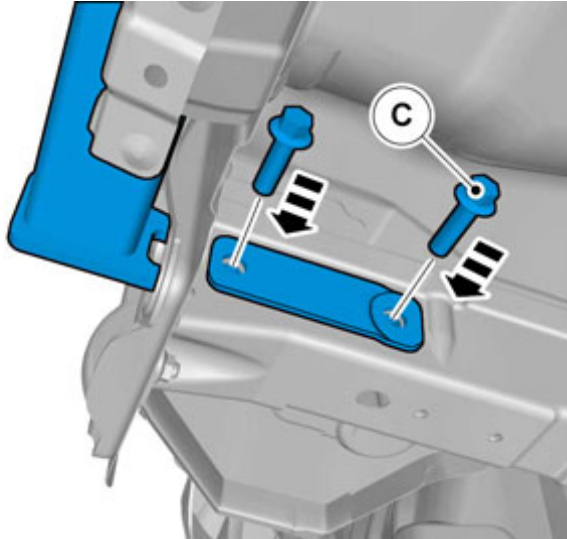
**Note!**  
Note the position.



# Installation instructions, accessories

Volvo Car Corporation Gothenburg, Sweden

21

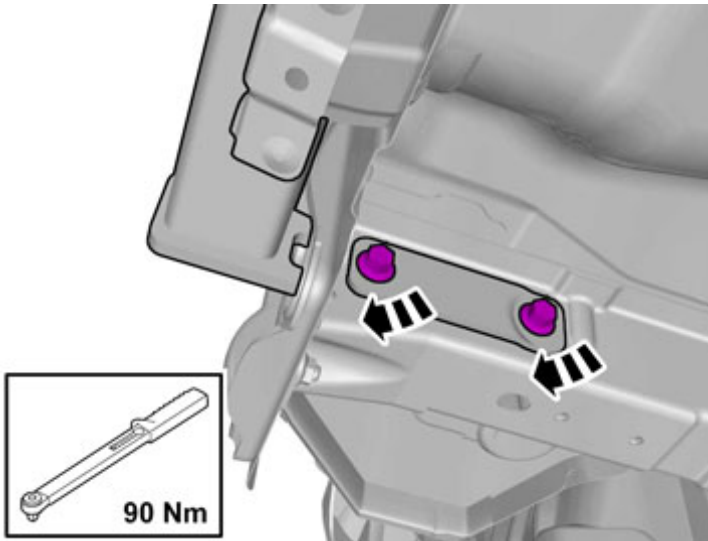


Install the screws.

Repeat on the other side.

IMG-355356

22



Repeat on the other side.

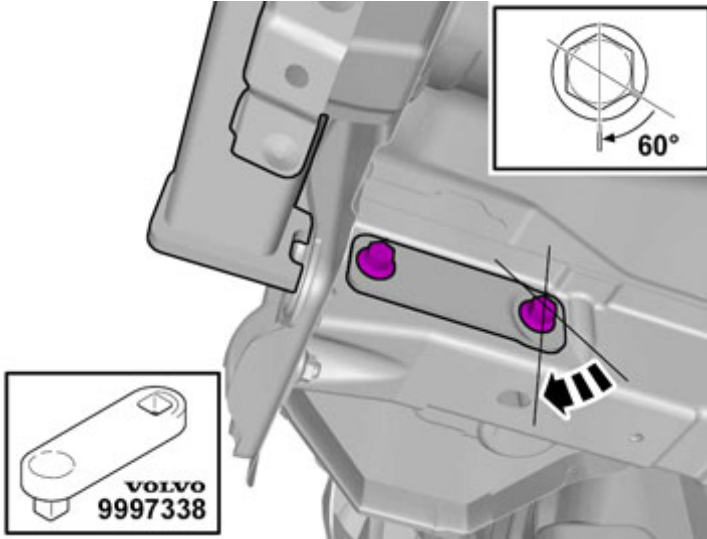
IMG-365812



# Installation instructions, accessories

Volvo Car Corporation Gothenburg, Sweden

23



IMG-355359

Repeat on the other side.

**Use special tool:** T9997338, Extension rod

24

Install tow bar connector and wiring harness according to installation instruction: Towbar, Wiring and Control Unit.

IMG-356971

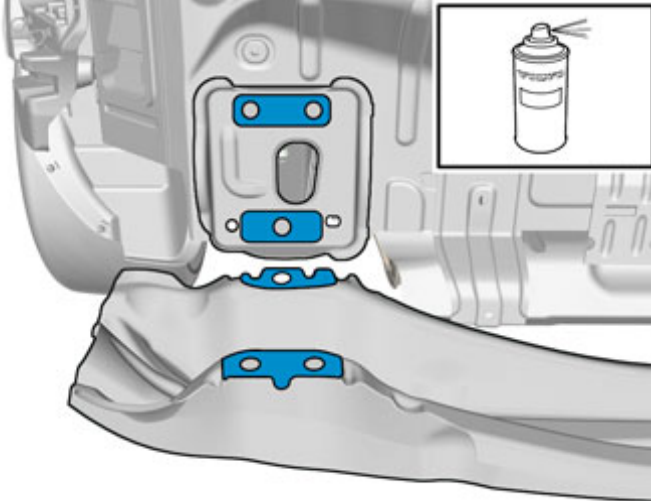




# Installation instructions, accessories

Volvo Car Corporation Gothenburg, Sweden

25

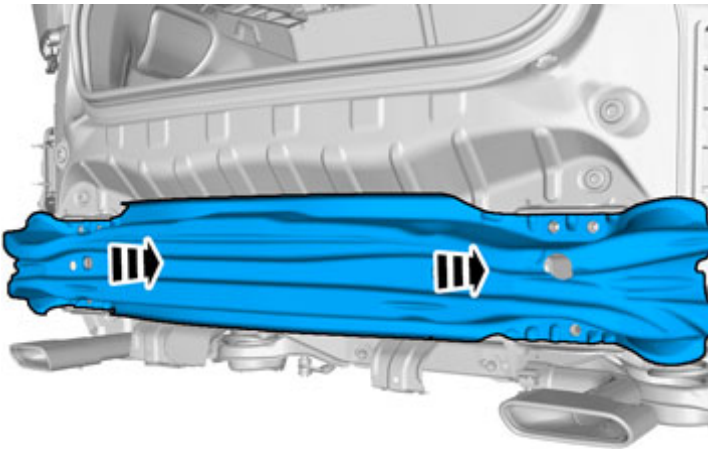


**Use:** , Rust inhibitor, low viscosity

Repeat on the other side.

IMG-367201

26



Reinstall the removed part.

IMG-367202

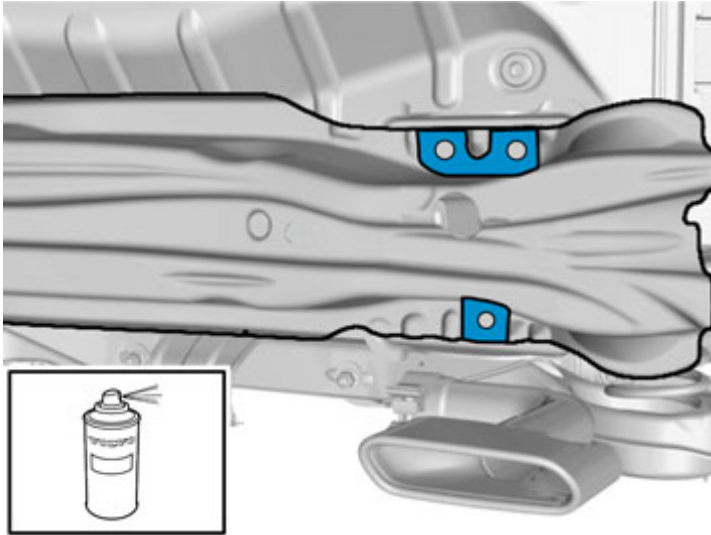




# Installation instructions, accessories

Volvo Car Corporation Gothenburg, Sweden

27

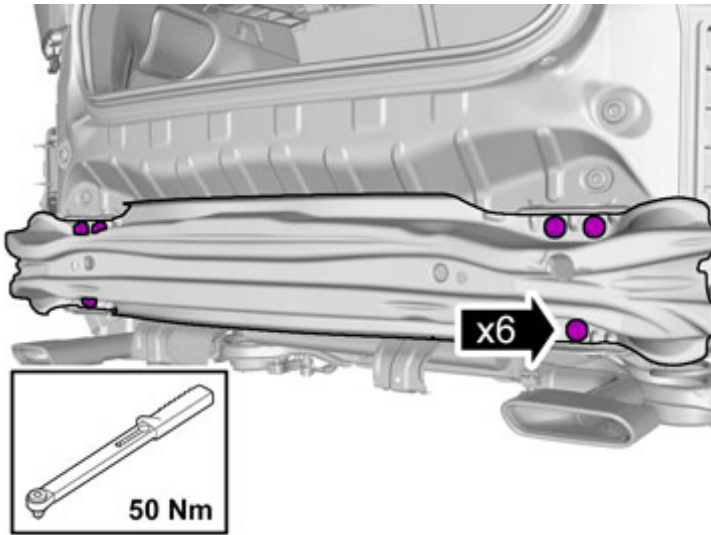


IMG-367329

**Use:** , Rust inhibitor

Repeat on the other side.

28



IMG-355191

Install the screws.

**Tightening torque:** M10 , 50 Nm

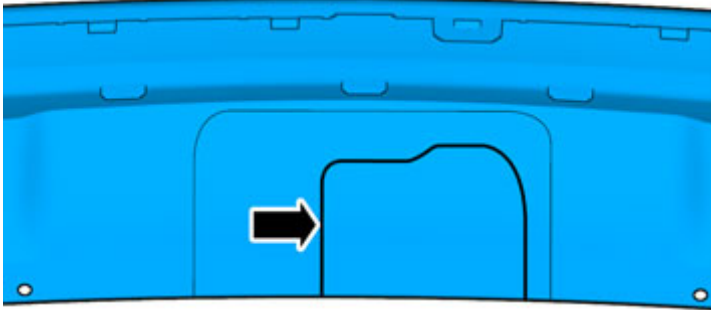


# Installation instructions, accessories

Volvo Car Corporation Gothenburg, Sweden

29

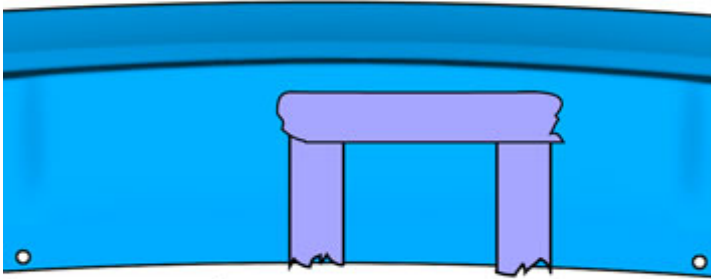
Locate relevant marking.



IMG-365846

30

Apply tape to the other side, opposite the marking lines.



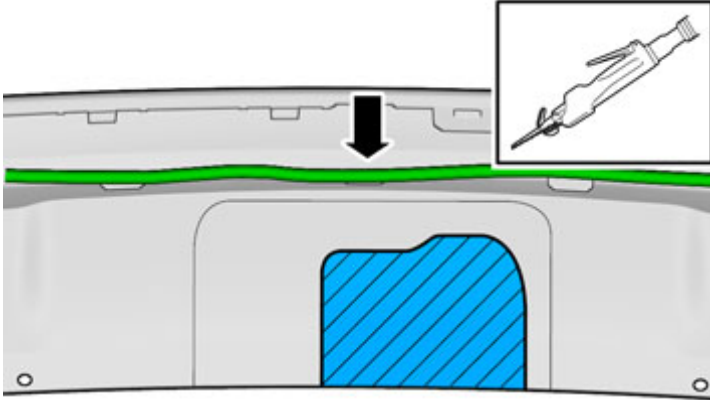
IMG-367022



# Installation instructions, accessories

Volvo Car Corporation Gothenburg, Sweden

31

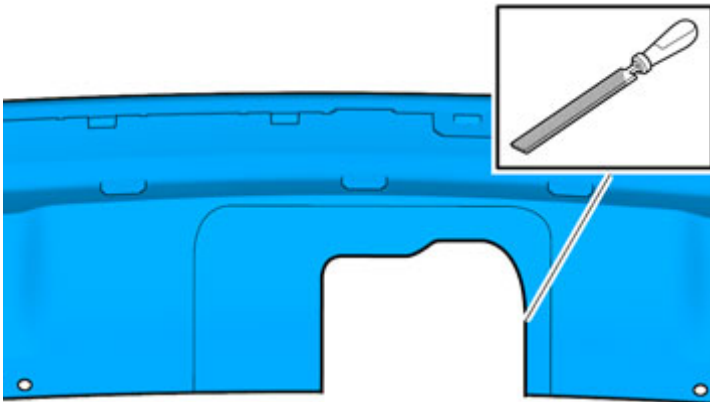


**Caution!**

Take extra care not to damage the wiring harnesses.

IMG-355362

32



Deburr edges

IMG-367029

**Vehicles with Diffuser**

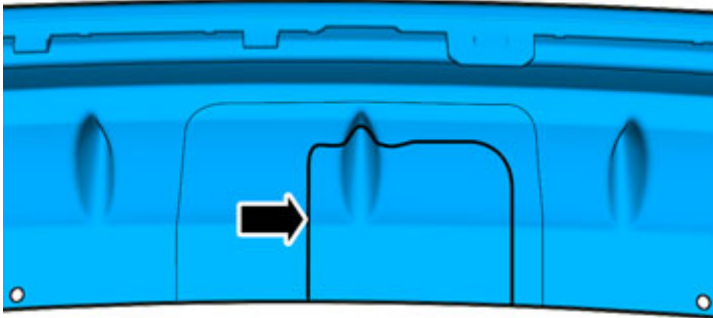


# Installation instructions, accessories

Volvo Car Corporation Gothenburg, Sweden

33

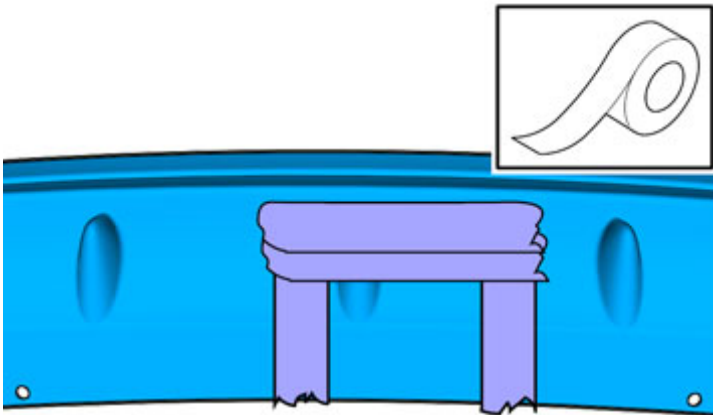
Locate relevant marking.



IMG-367030

34

Apply tape to the other side, opposite the marking lines.



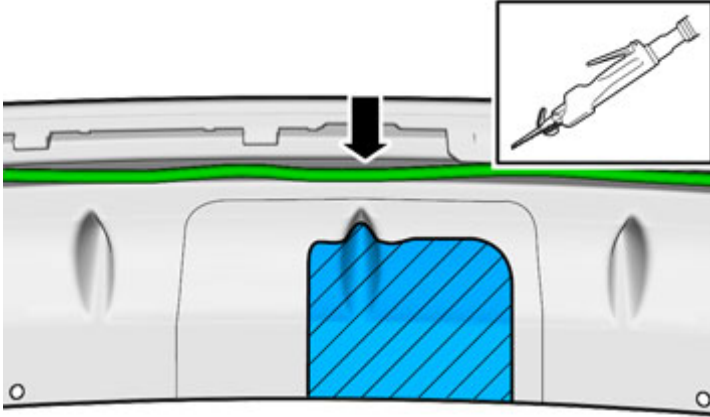
IMG-367031



# Installation instructions, accessories

Volvo Car Corporation Gothenburg, Sweden

35

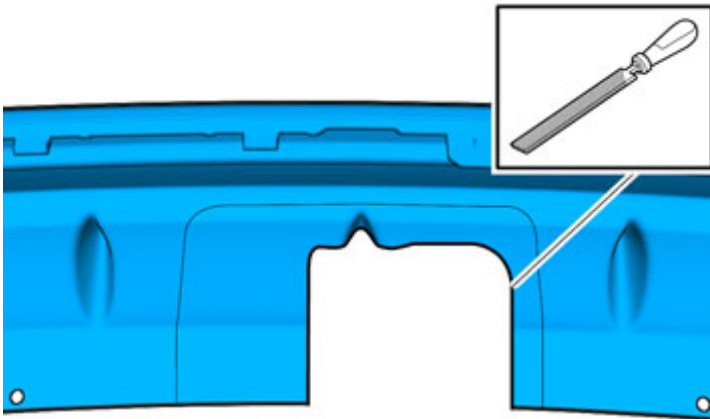


**Caution!**

Take extra care not to damage the wiring harnesses.

IMG-367037

36



Deburr edges

IMG-367057

37

Reinstall the removed parts in reverse order.