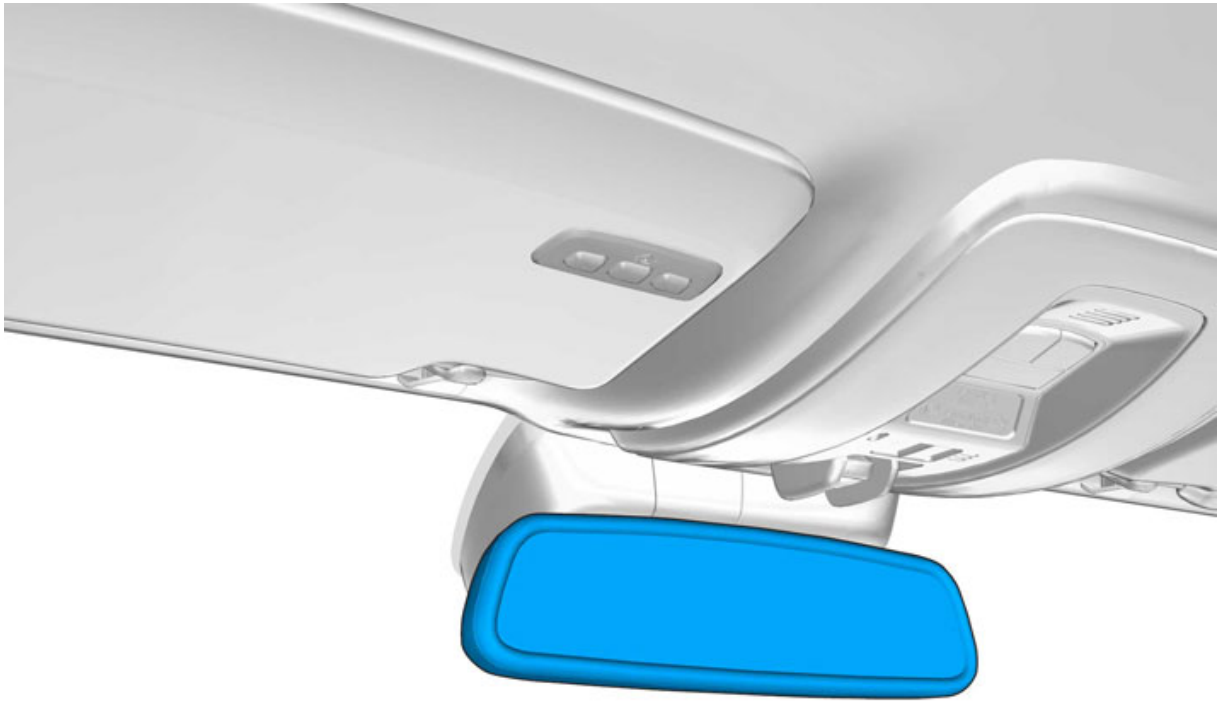


# Installation instructions, accessories

Volvo Car Corporation Gothenburg, Sweden

**Instruction No** 31316437    **Version** 1.1    **Part. No.** 31402730, 31352951, 30799046

## Mirror, rearview, autodimming

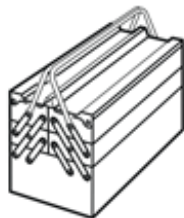


IMG-338611

### Equipment

**VIDA**

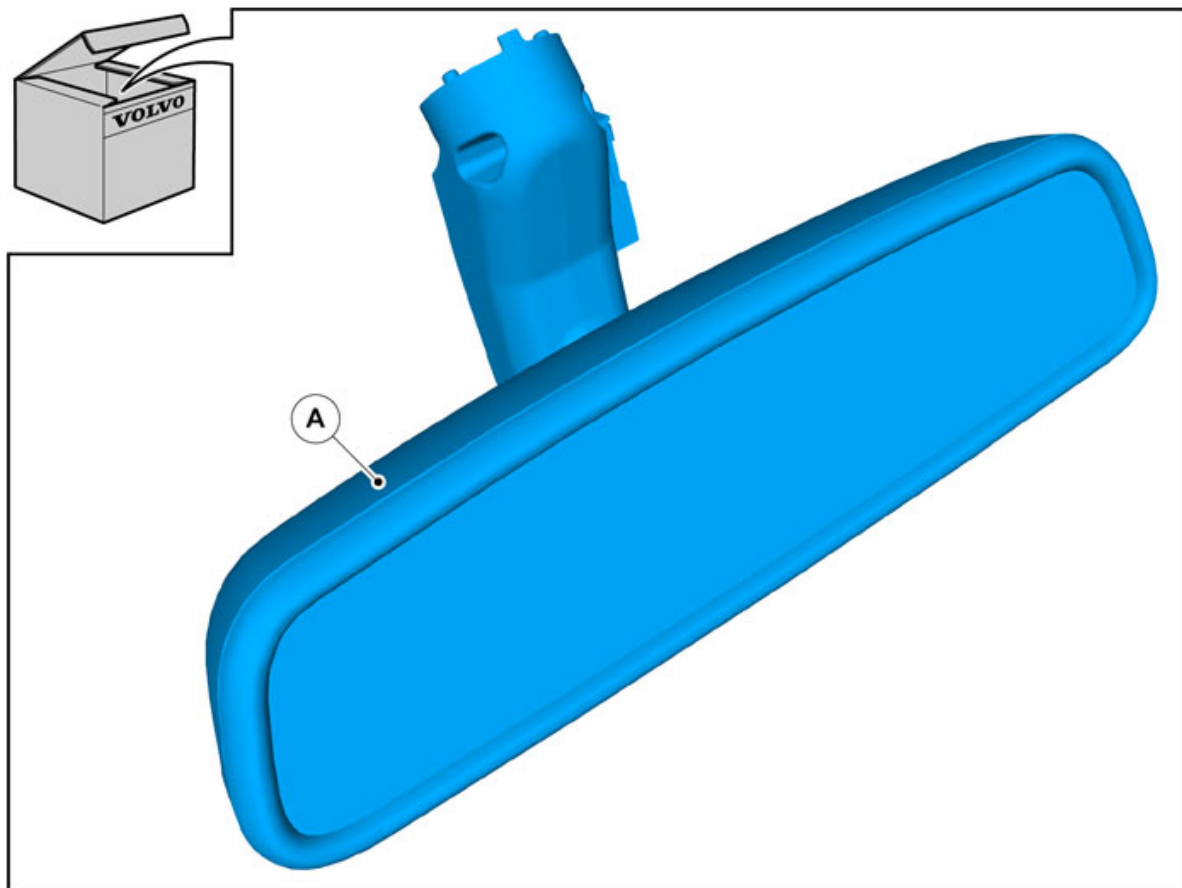
IMG-242205



A0000162

# Installation instructions, accessories

Volvo Car Corporation Gothenburg, Sweden



IMG-338612

# Installation instructions, accessories

Volvo Car Corporation Gothenburg, Sweden

---

## Information

---

1

Read through all of the instructions before starting installation.

Notifications and warning texts are for your safety and to minimise the risk of something breaking during installation.

Ensure that all tools stated in the instructions are available before starting installation.

Certain steps in the instructions are only presented in the form of images. Explanatory text is also given for more complicated steps.

In the event of any problems with the instructions or the accessory, contact your local Volvo dealer.

---

## Conditions

---

2

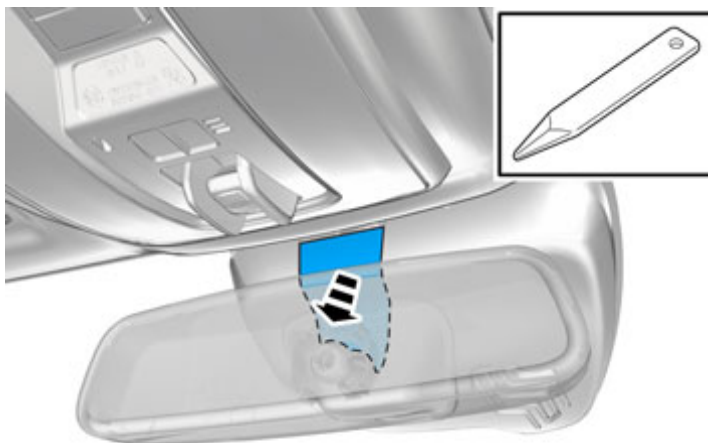
Set the ignition key to position 0.



IMG-332193

---

3



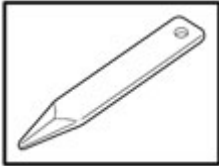
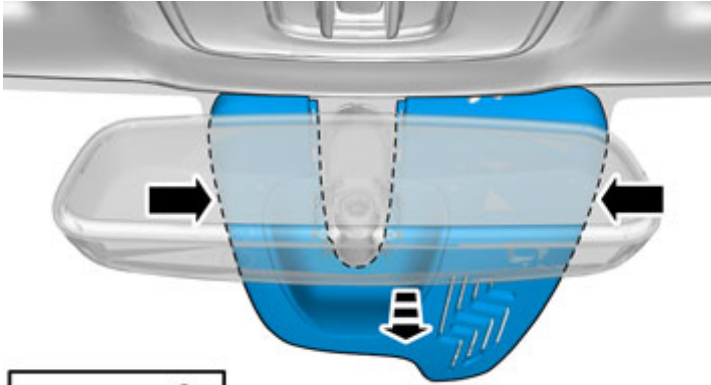
IMG-338613

---

# Installation instructions, accessories

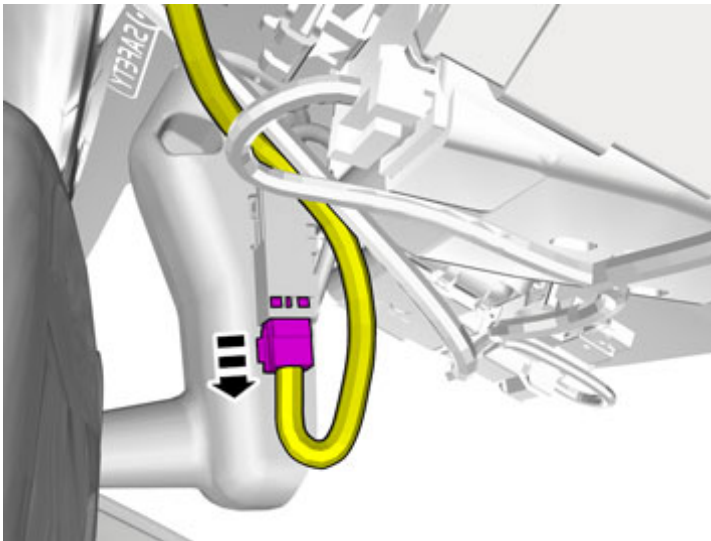
Volvo Car Corporation Gothenburg, Sweden

4



IMG-338614

5



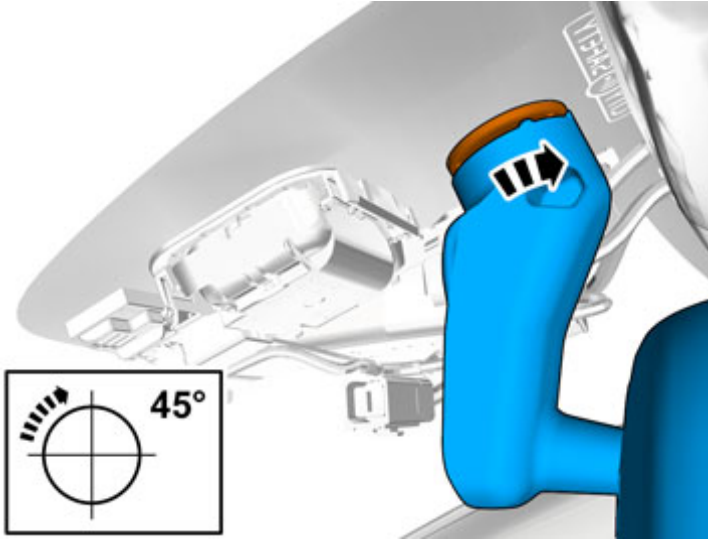
IMG-338615

Disconnect any connector(s).

# Installation instructions, accessories

Volvo Car Corporation Gothenburg, Sweden

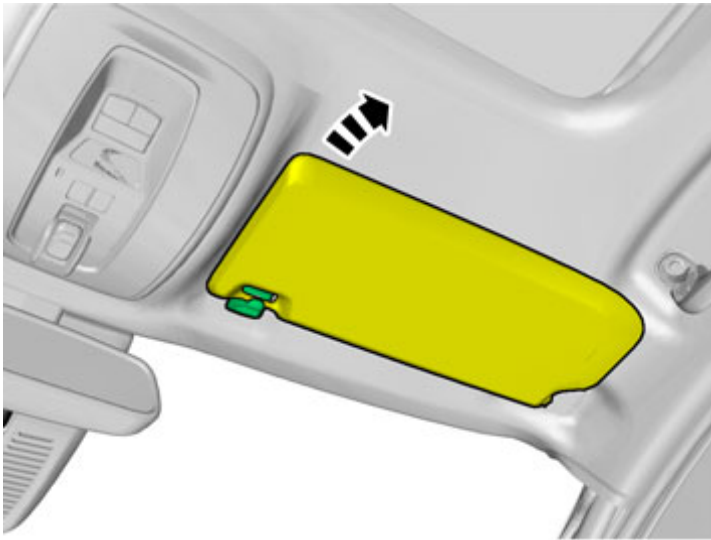
6



IMG-338616

Vehicles with manual dimming interior mirror

7

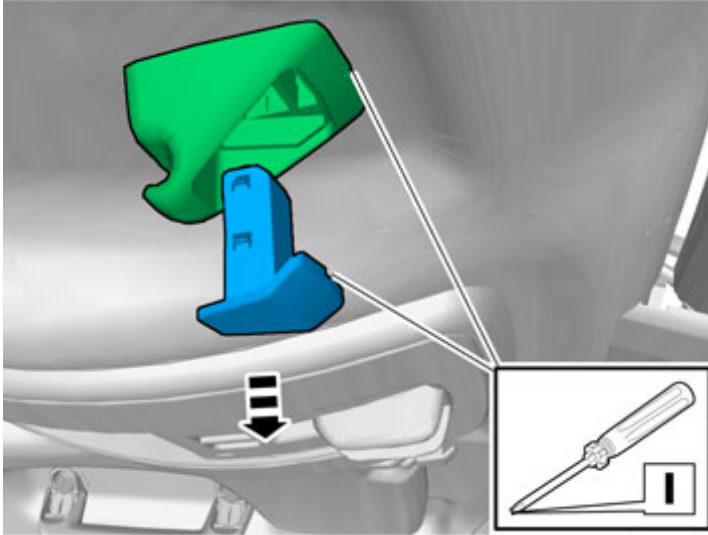


IMG-304689

# Installation instructions, accessories

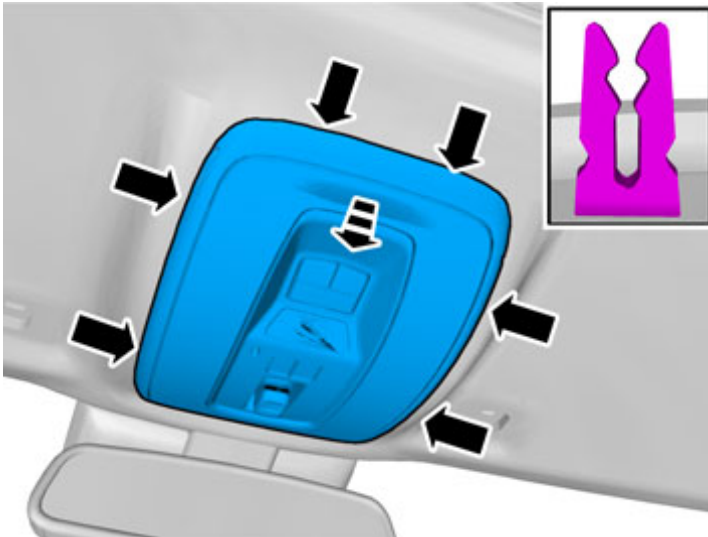
Volvo Car Corporation Gothenburg, Sweden

8



IMG-304690

9

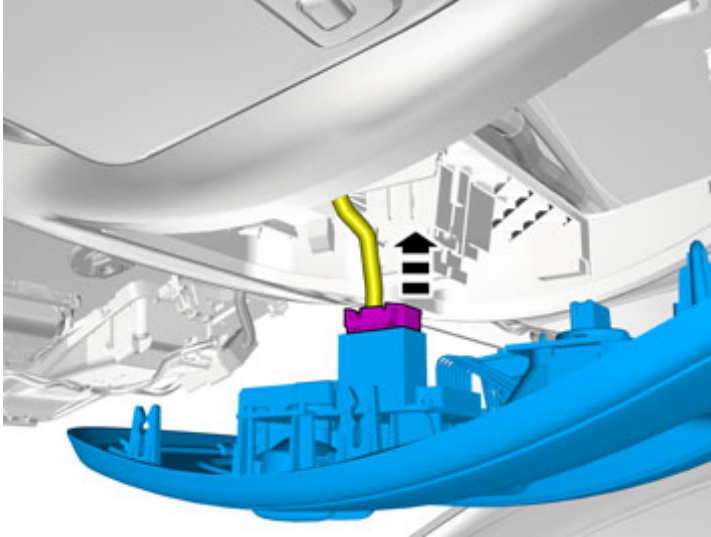


IMG-304691

# Installation instructions, accessories

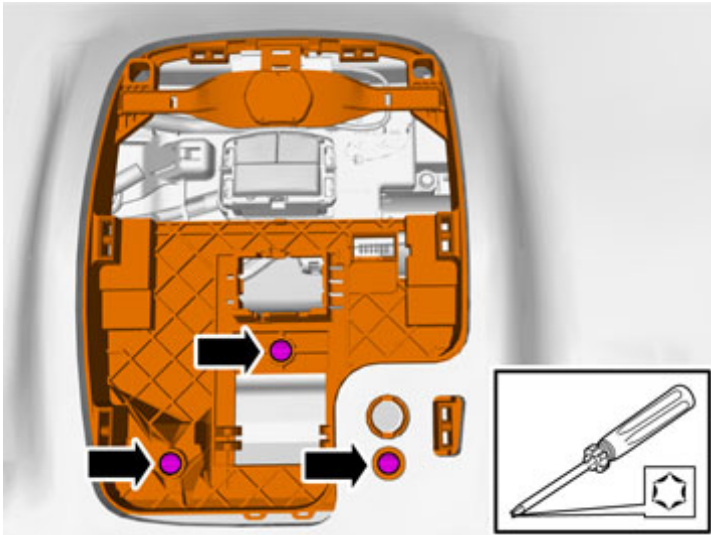
Volvo Car Corporation Gothenburg, Sweden

10



IMG-338621

11

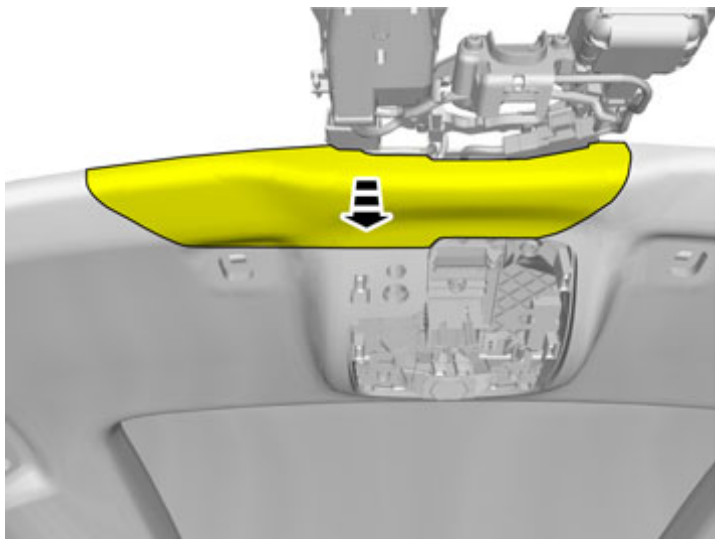


IMG-304692

# Installation instructions, accessories

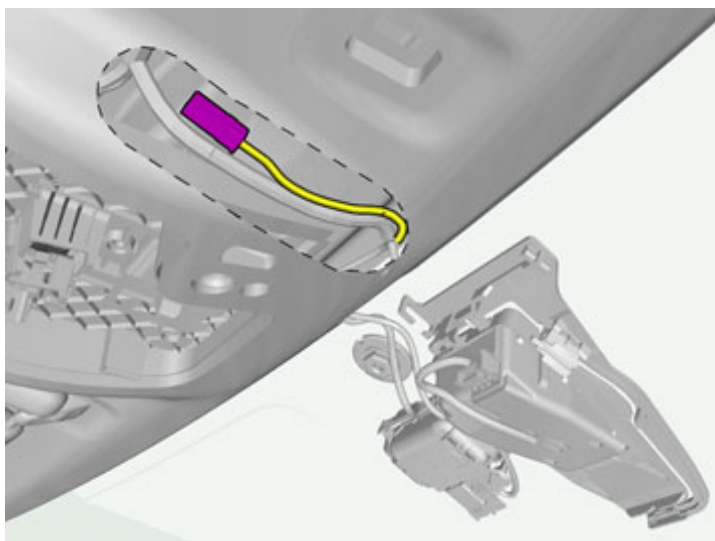
Volvo Car Corporation Gothenburg, Sweden

12



IMG-304693

13



IMG-350152

Locate the pre-routed connector.

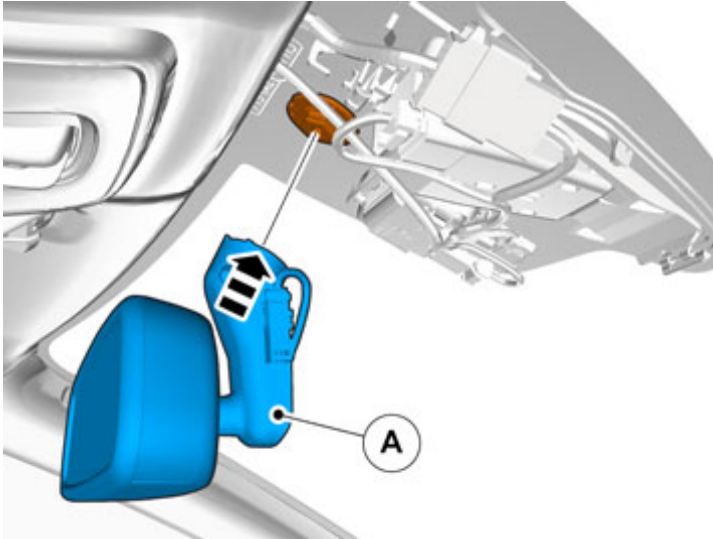
**All vehicles**



# Installation instructions, accessories

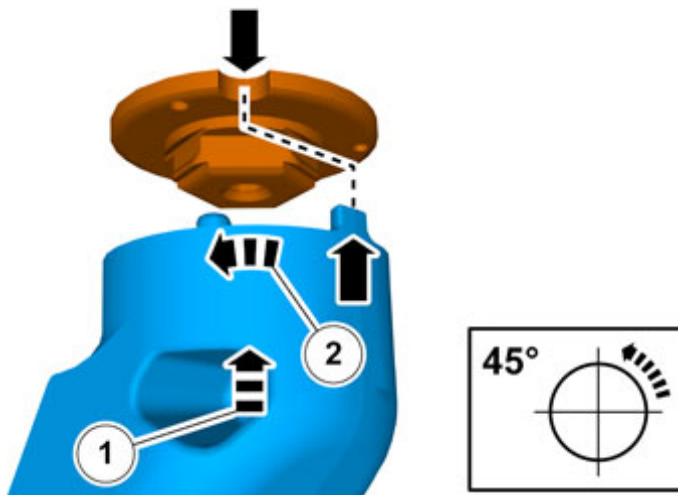
Volvo Car Corporation Gothenburg, Sweden

14



IMG-338617

15

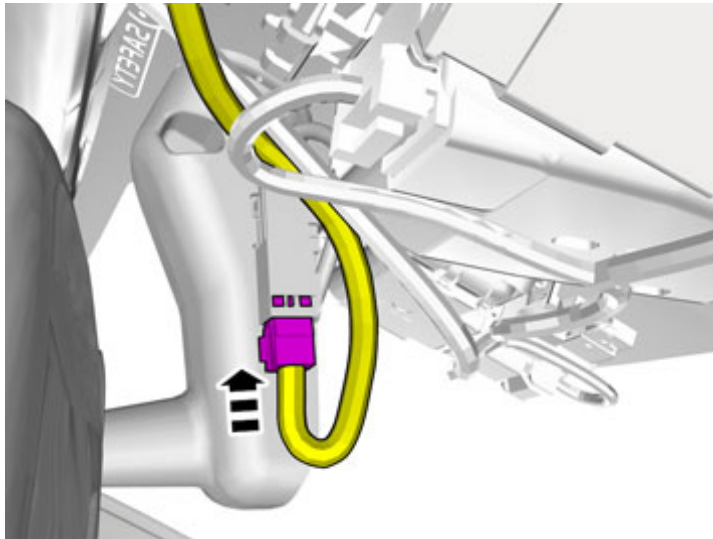


IMG-338619

# Installation instructions, accessories

Volvo Car Corporation Gothenburg, Sweden

16

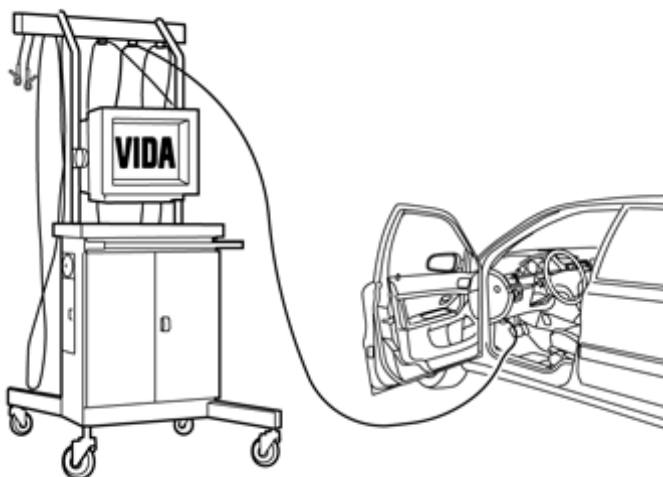


IMG-338620

Connect the connector.

Reinstall the removed parts in reverse order.

17



IMG-242268

Download software (application) for the accessory's function according to the service information in VIDA. See VIDA or the accessories catalogue for software part number.