



# Installation instructions, accessories

Volvo Car Corporation Gothenburg, Sweden

**Instruction No**  
31346080

**Version**  
1.0

**Part. No.**  
31407107, 31350479

## Towbar, control module (TRM)



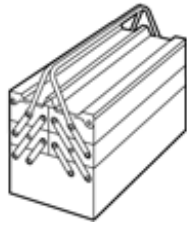
# Installation instructions, accessories

Volvo Car Corporation Gothenburg, Sweden

## Equipment

# VIDA

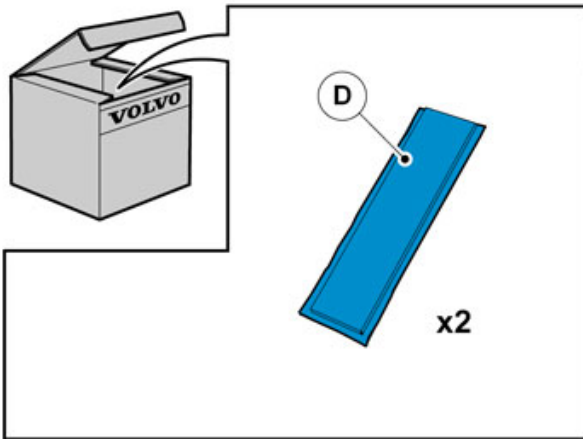
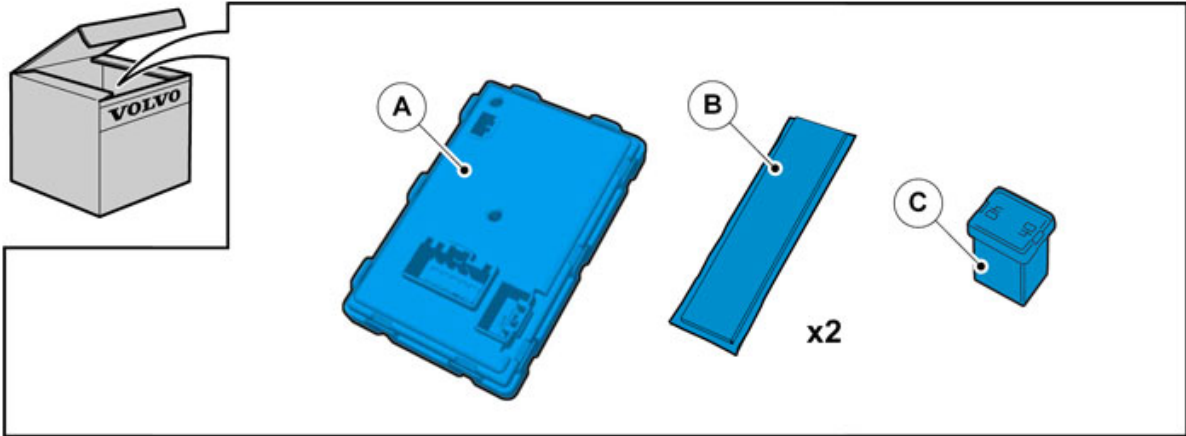
IMG-242205



IMG-345497



IMG-332314



IMG-361617



# Installation instructions, accessories

Volvo Car Corporation Gothenburg, Sweden

## INTRODUCTION

Read through all of the instructions before starting installation.

Notifications and warning texts are for your safety and to minimise the risk of something breaking during installation.

Ensure that all tools stated in the instructions are available before starting installation.

Certain steps in the instructions are only presented in the form of images. Explanatory text is also given for more complicated steps.

In the event of any problems with the instructions or the accessory, contact your local Volvo dealer.

1



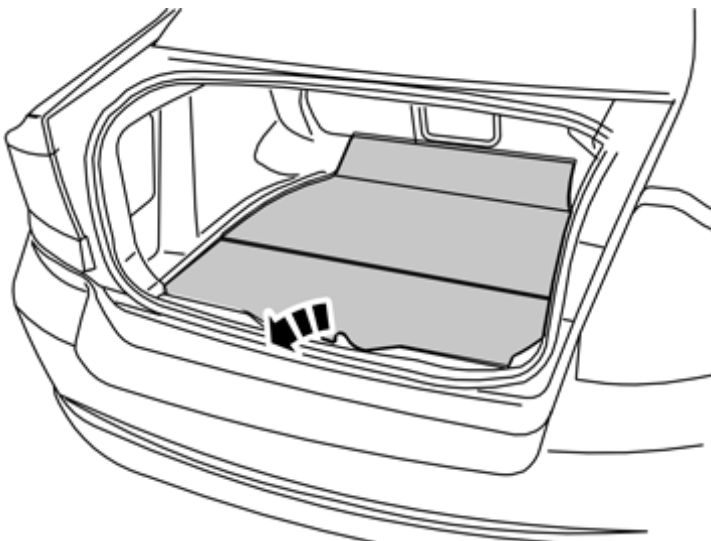
Set the ignition key to position 0.

### Note!

Wait at least one minute before unplugging the connectors or removing other electrical equipment.

IMG-245980

2



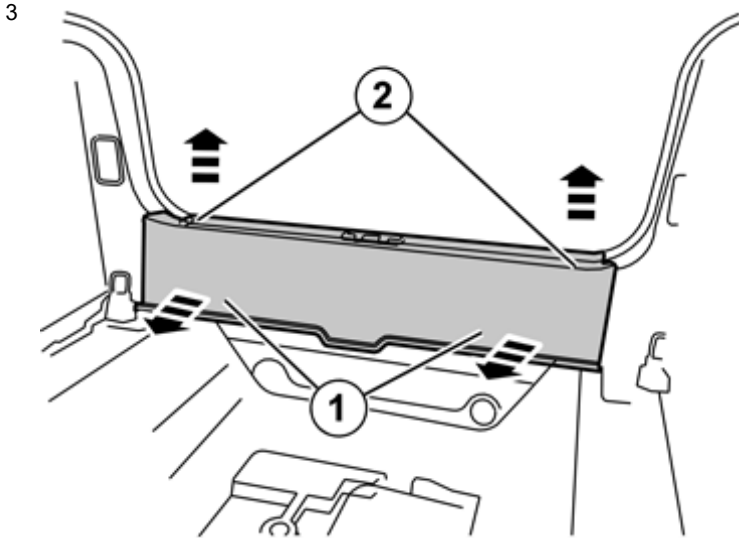
Lift out the cargo compartment carpet.

IMG-226720



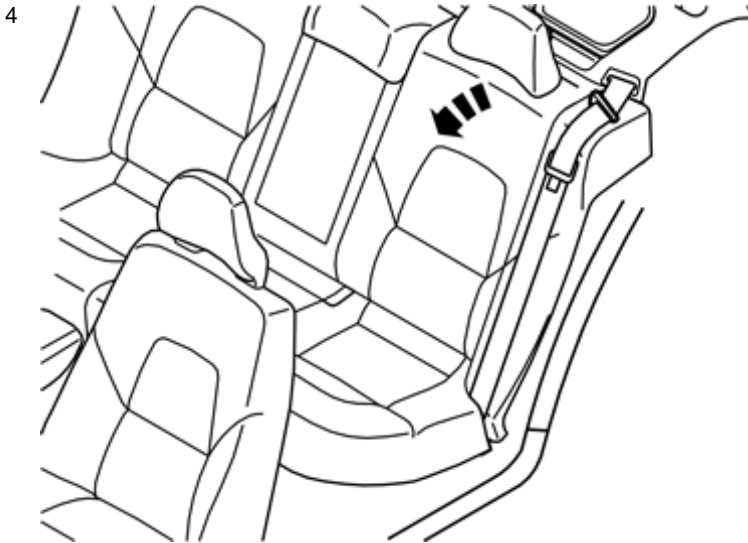
# Installation instructions, accessories

Volvo Car Corporation Gothenburg, Sweden



Remove the sill trim panel by first pulling it forward until the two clips in the front edge release. Then pull it upward until the two clips in the top edge release.

IMG-226722



Fold the left-hand rear seat backrest forward.

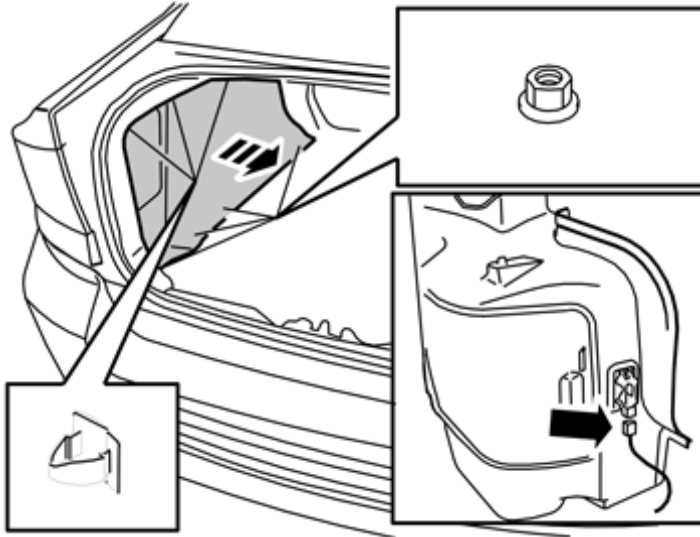
IMG-226723



# Installation instructions, accessories

Volvo Car Corporation Gothenburg, Sweden

5

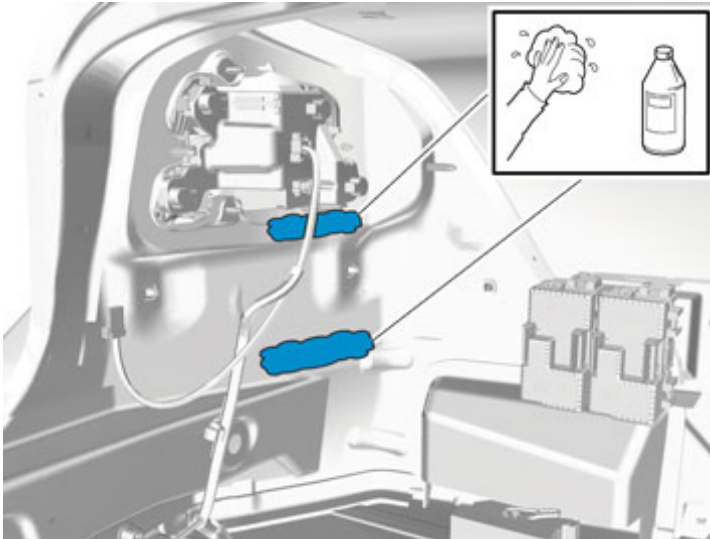


IMG-226724

## Remove:

- the three clips in the top edge of the side panel
  - the four plastic nuts in the lower edge of the side panel
  - the connector to the cargo compartment lighting
- Lift out the side panel.

6



IMG-360485

Use: Isopropanol, 1161721.

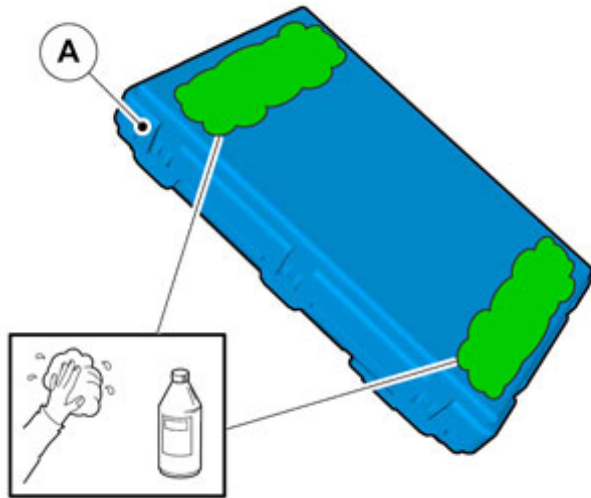
Wipe dry.



# Installation instructions, accessories

Volvo Car Corporation Gothenburg, Sweden

7

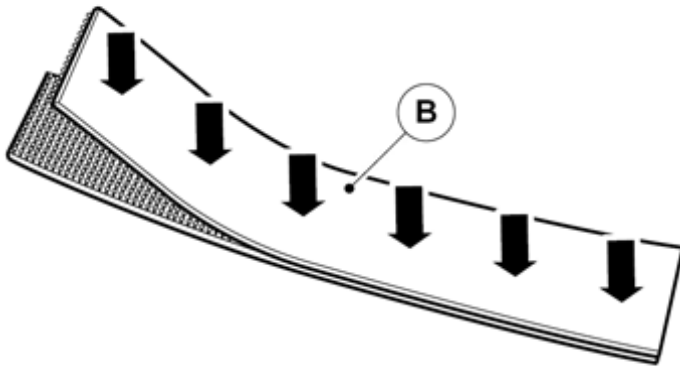


IMG-360486

Use: Isopropanol, 1161721.

Wipe dry.

8



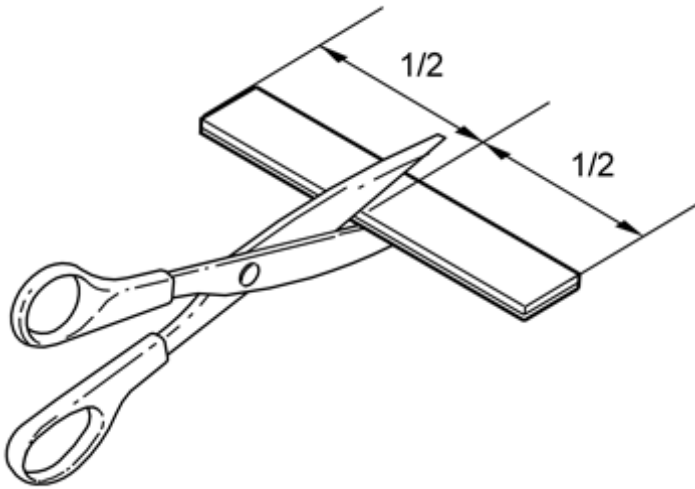
IMG-356181



# Installation instructions, accessories

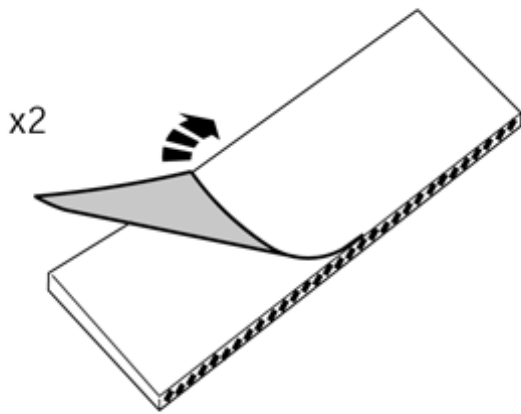
Volvo Car Corporation Gothenburg, Sweden

9



IMG-222282

10



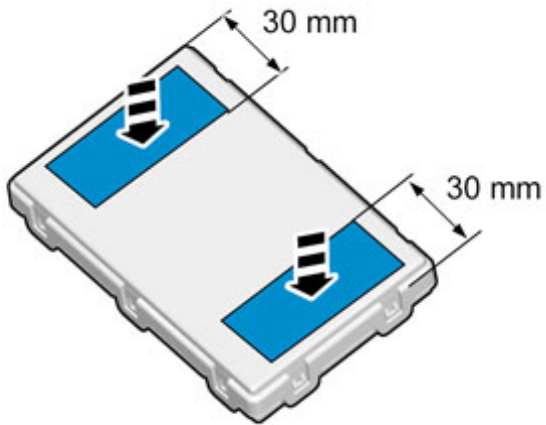
IMG-241925



# Installation instructions, accessories

Volvo Car Corporation Gothenburg, Sweden

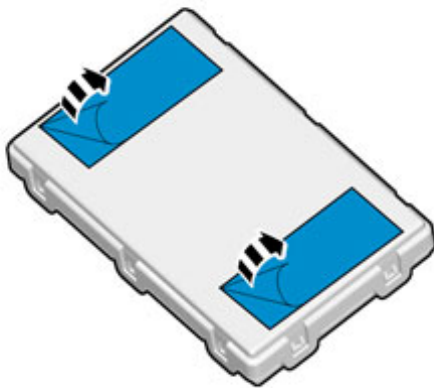
11



When installing Velcro tape the surface must maintain a temperature of at least +20 °C (68° F).

IMG-360498

12



IMG-360492

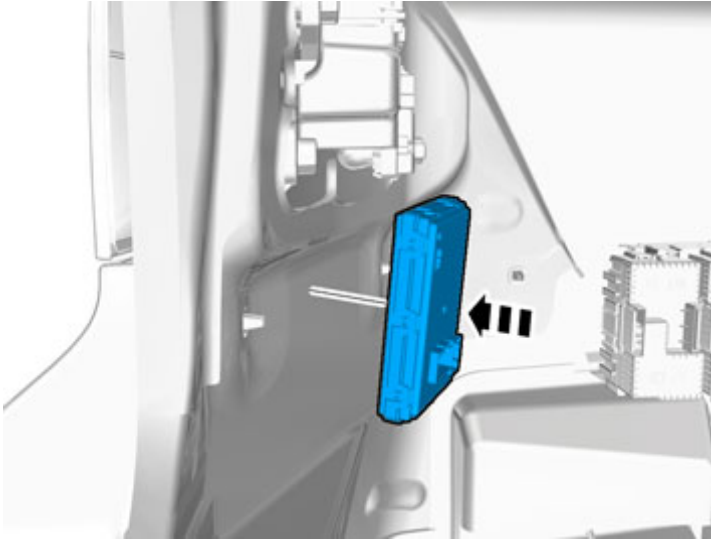




# Installation instructions, accessories

Volvo Car Corporation Gothenburg, Sweden

13

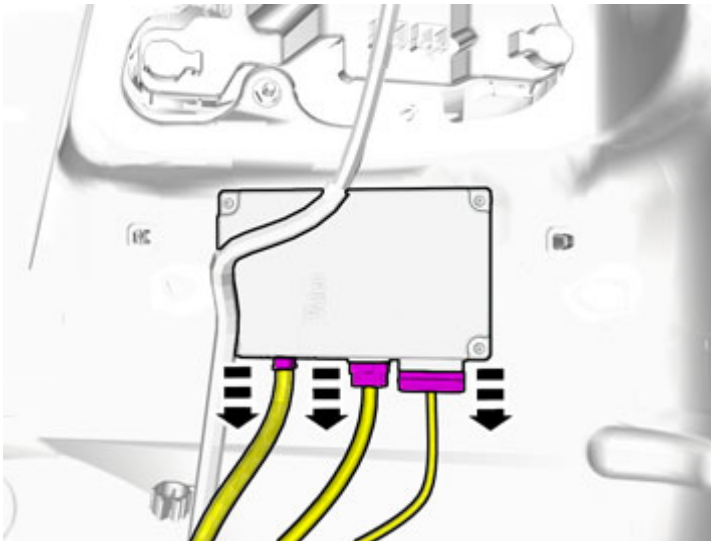


IMG-360501

When installing Velcro tape the surface must maintain a temperature of at least +20 °C (68° F).

Press the control module into place properly.

14



IMG-360526

**Applies to cars with rear parking cameras**

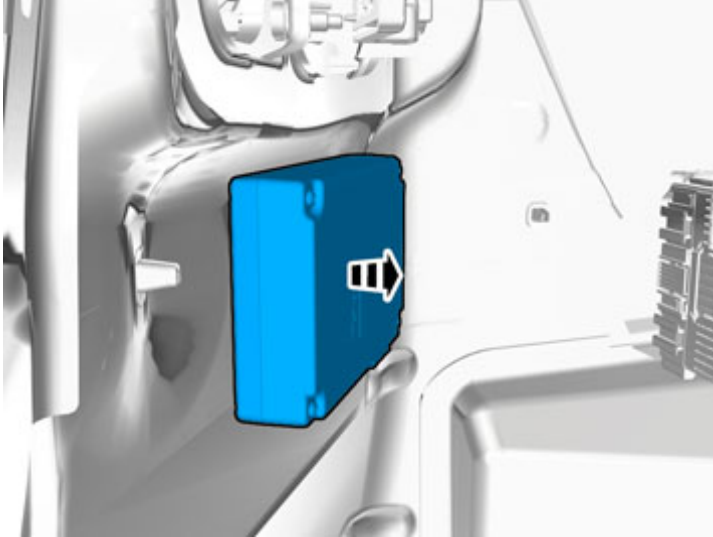
Unplug the connectors.



# Installation instructions, accessories

Volvo Car Corporation Gothenburg, Sweden

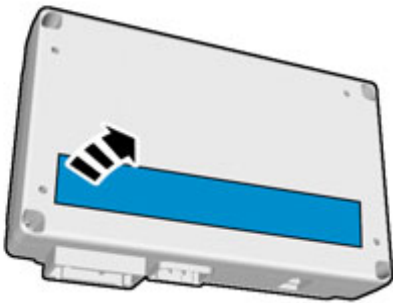
15



IMG-360527

Remove the control module. It is secured with a Velcro strip.

16



IMG-360528

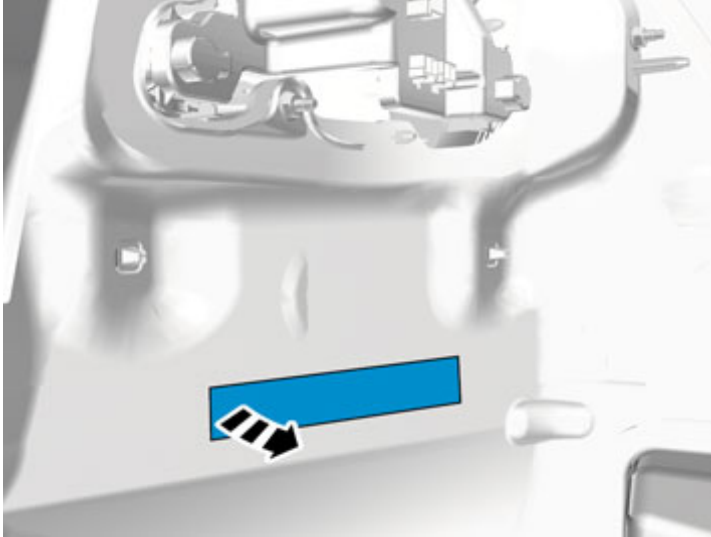
Remove the Velcro strip on the reverse of the control module.



# Installation instructions, accessories

Volvo Car Corporation Gothenburg, Sweden

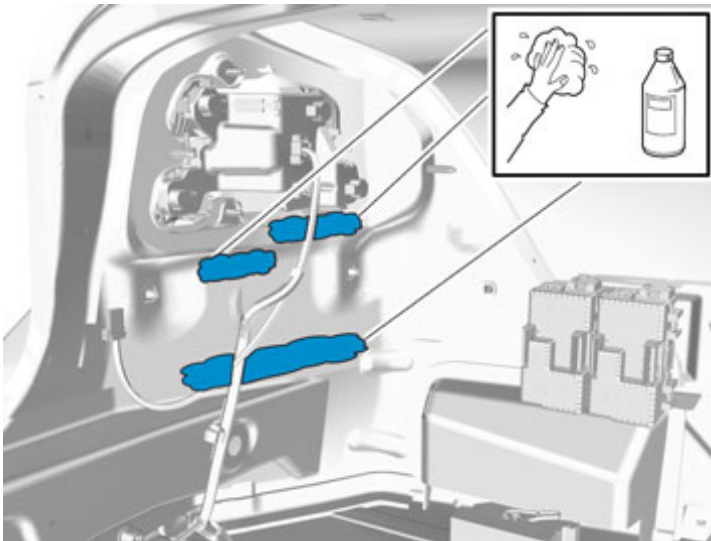
17



IMG-360529

Remove the Velcro strip.

18



IMG-360548

Remove adhesive residue and clean.

Use: Isopropanol, 1161721.

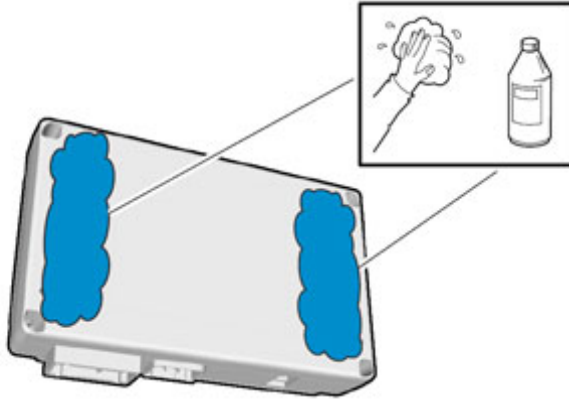
Wipe dry.



# Installation instructions, accessories

Volvo Car Corporation Gothenburg, Sweden

19

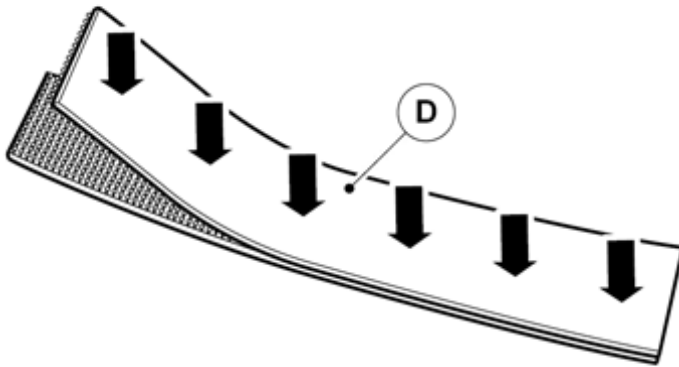


Use: Isopropanol, 1161721.

Wipe dry.

IMG-360549

20



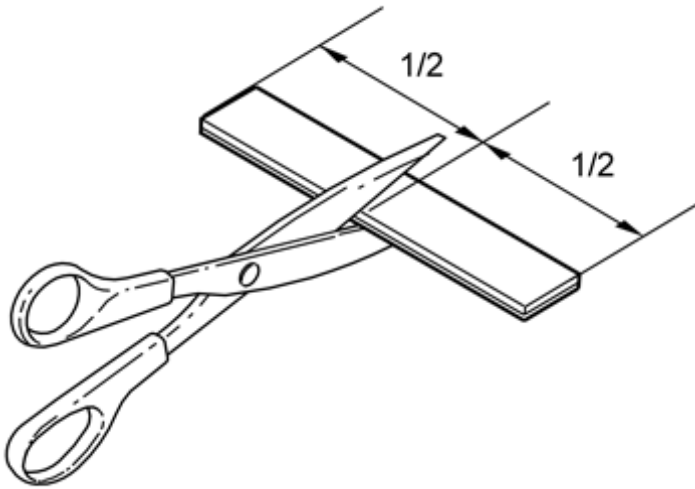
IMG-361618



# Installation instructions, accessories

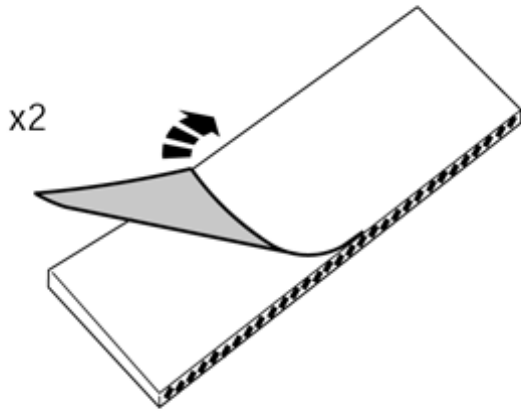
Volvo Car Corporation Gothenburg, Sweden

21



IMG-222282

22



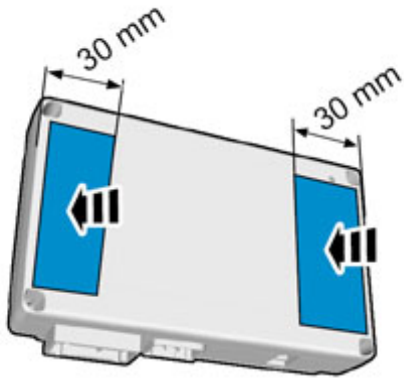
IMG-241925



# Installation instructions, accessories

Volvo Car Corporation Gothenburg, Sweden

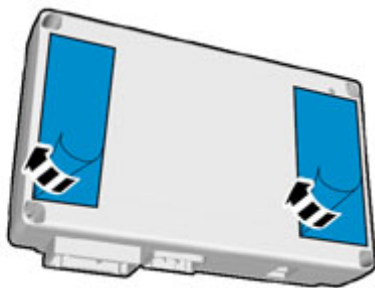
23



When installing Velcro tape the surface must maintain a temperature of at least +20 °C (68° F).

IMG-360550

24



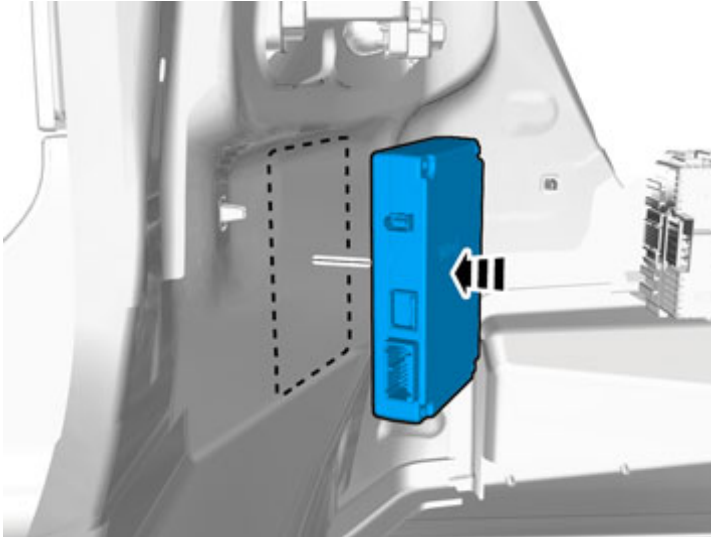
IMG-360551



# Installation instructions, accessories

Volvo Car Corporation Gothenburg, Sweden

25

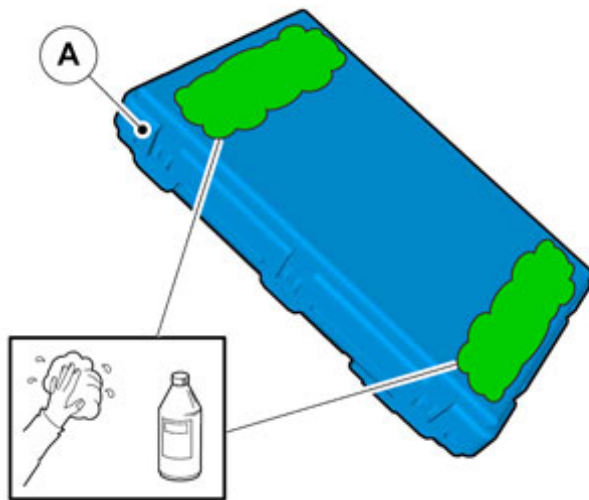


IMG-360552

When installing Velcro tape the surface must maintain a temperature of at least +20 °C (68° F).

Press the control module into place properly.

26



IMG-360486

Use: Isopropanol, 1161721.

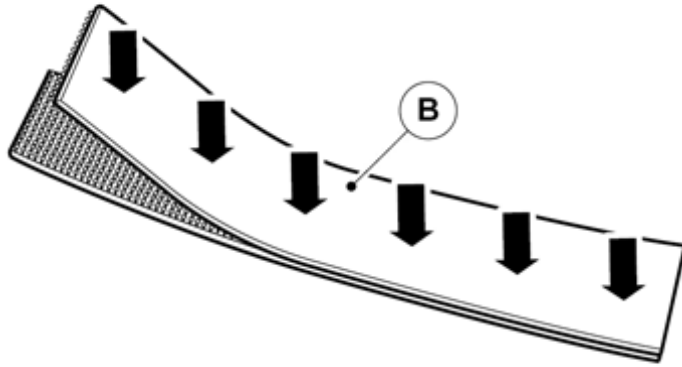
Wipe dry.



# Installation instructions, accessories

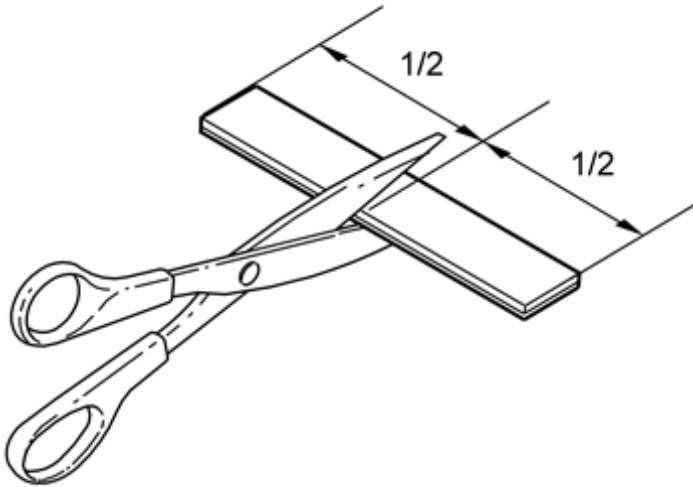
Volvo Car Corporation Gothenburg, Sweden

27



IMG-356181

28



IMG-222282

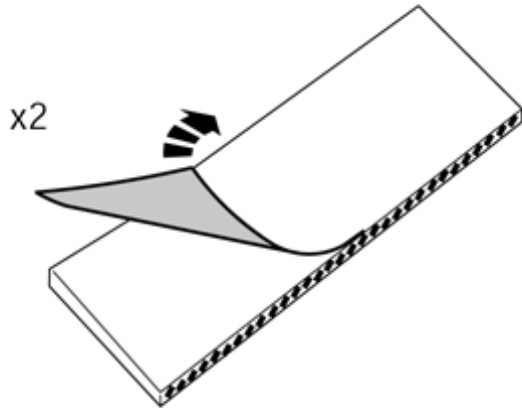




# Installation instructions, accessories

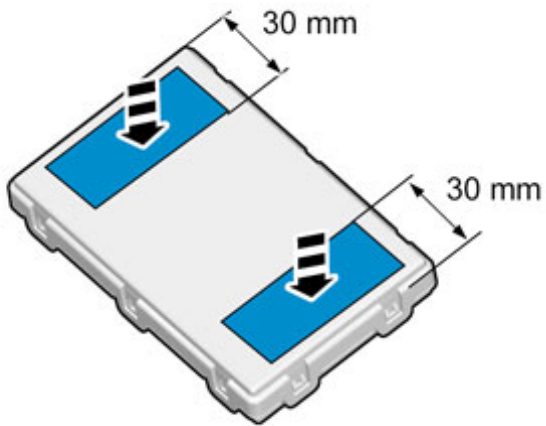
Volvo Car Corporation Gothenburg, Sweden

29



IMG-241925

30



When installing Velcro tape the surface must maintain a temperature of at least +20 °C (68° F).

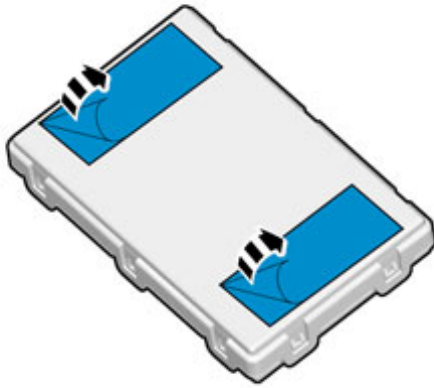
IMG-360498



# Installation instructions, accessories

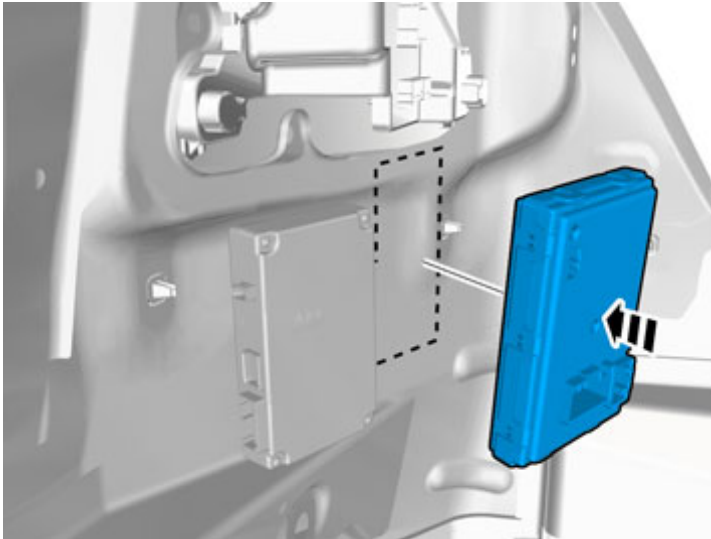
Volvo Car Corporation Gothenburg, Sweden

31



IMG-360492

32



IMG-360577

When installing Velcro tape the surface must maintain a temperature of at least +20 °C (68° F).

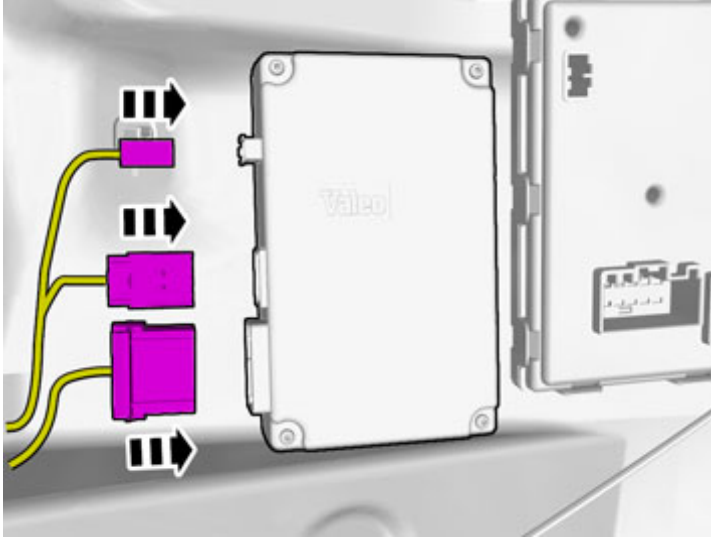
Press the control module into place properly.



# Installation instructions, accessories

Volvo Car Corporation Gothenburg, Sweden

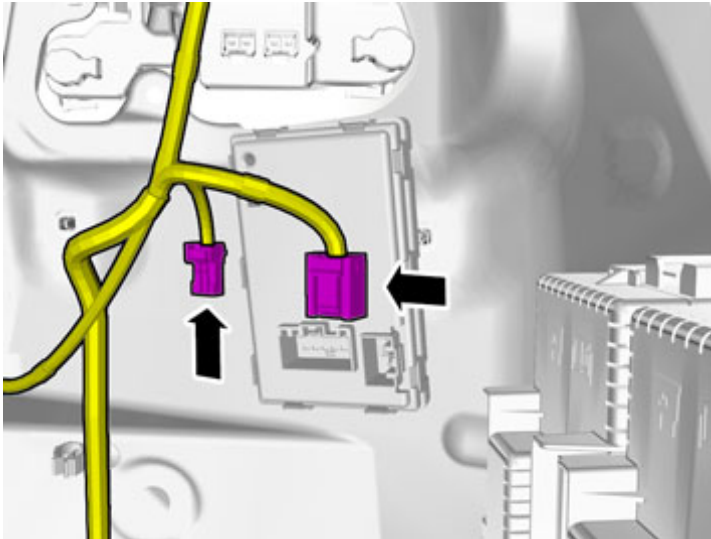
33



IMG-360576

Connect the connectors to the control module.

34



IMG-360508

**Applies to all models**

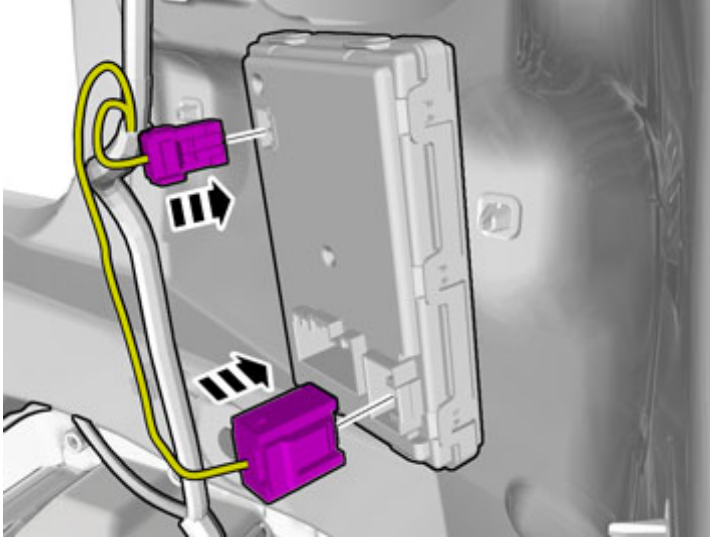
Locate the connectors in the car's cable harness.



# Installation instructions, accessories

Volvo Car Corporation Gothenburg, Sweden

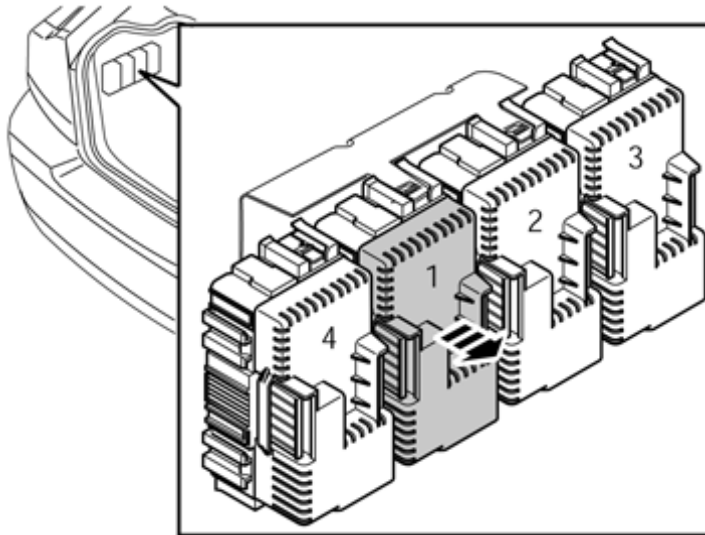
35



IMG-360521

Connect the connectors to the control module.

36



IMG-241926

**Applies to vehicles with chassis numbers up to and including -122408**

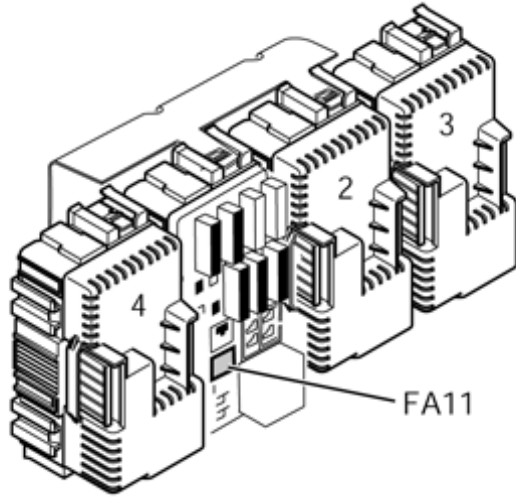
Press in the catches on the black cover on the fuse holder and remove it.



# Installation instructions, accessories

Volvo Car Corporation Gothenburg, Sweden

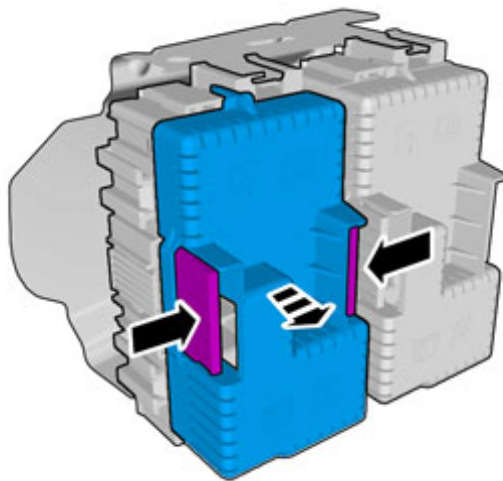
37



Fit a 40A fuse in position FA11.

IMG-241927

38



**Applies to vehicles with chassis numbers up to and including -122409**

Press in the catches on the black cover on the fuse holder and remove it.

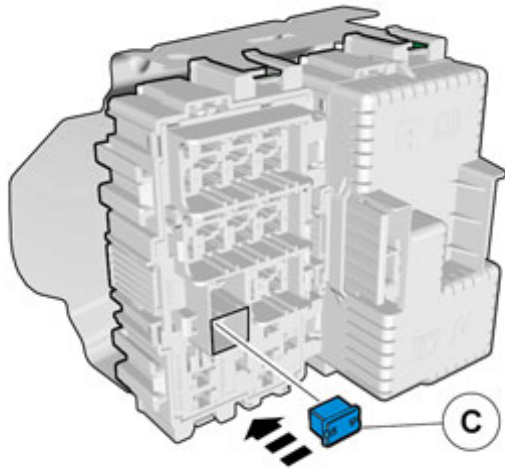
IMG-360159



# Installation instructions, accessories

Volvo Car Corporation Gothenburg, Sweden

39



Fit a 40A fuse in position FA11.

Reinstall the cover.

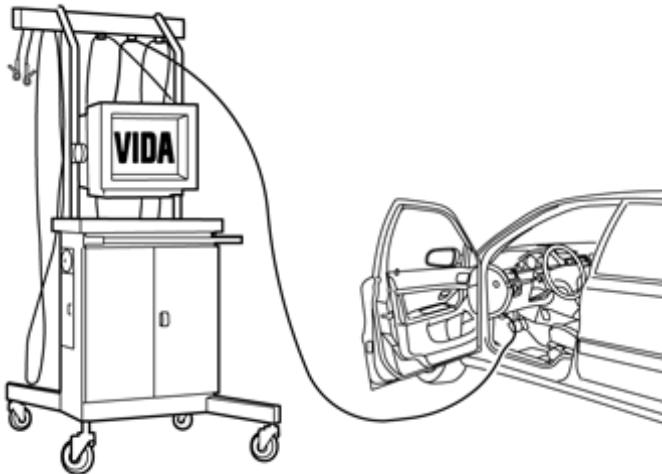
IMG-360188

40

**Applies to all models**

Reinstall the detached components in reverse order.

41



Download the software (application) for the accessory's function following the service information in VIDA.

See VIDA or the accessories catalogue for software part number.

IMG-242268