



Installation instructions, accessories

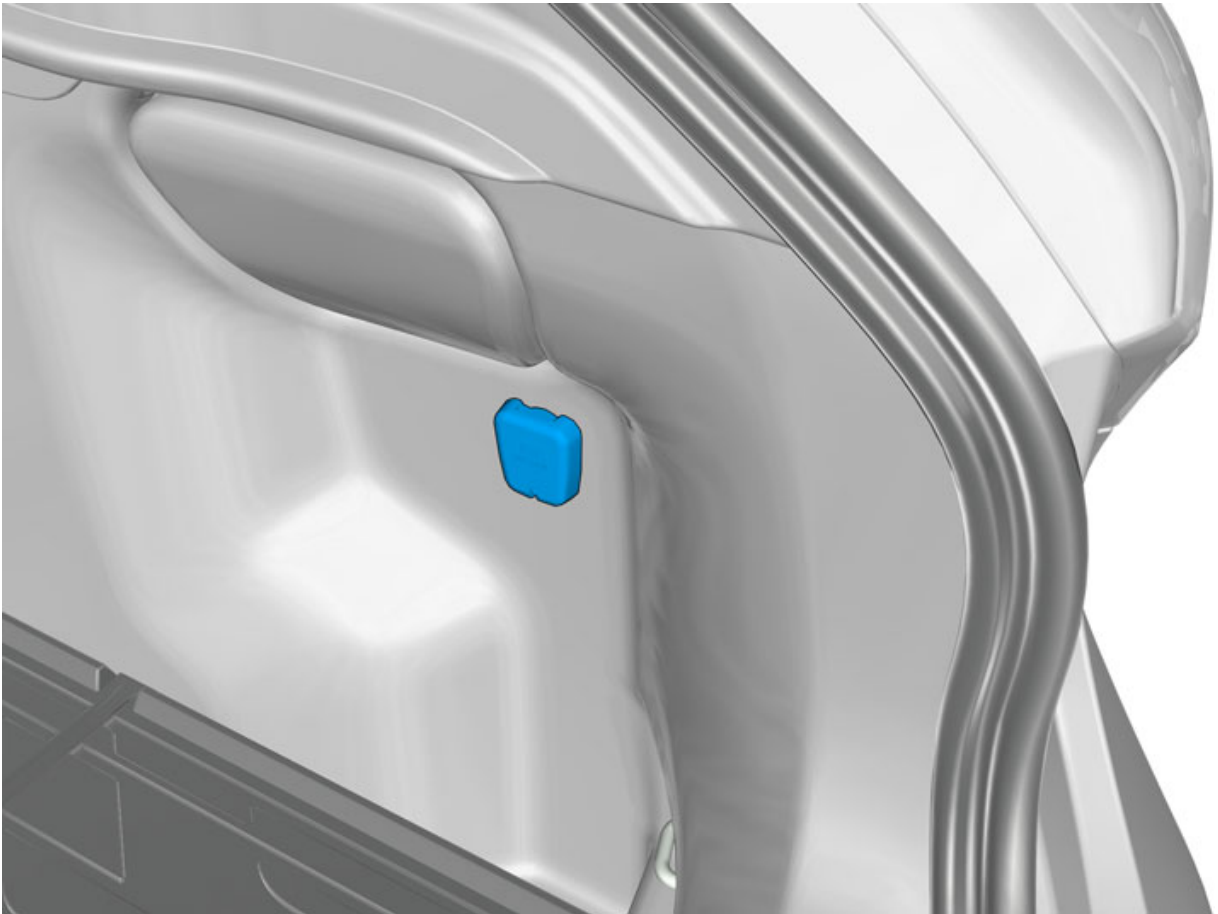
Volvo Car Corporation Gothenburg, Sweden

Instruction No
31439218

Version
1.3

Part. No.
31435603, 31439122, 31363053

Electrical socket, load compartment



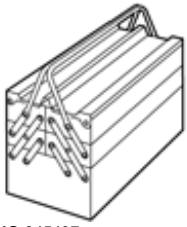
IMG-369092



Installation instructions, accessories

Volvo Car Corporation Gothenburg, Sweden

Equipment



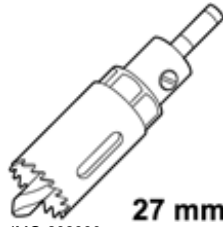
IMG-345497



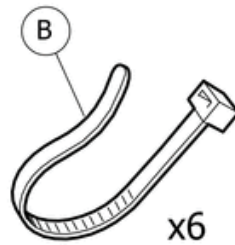
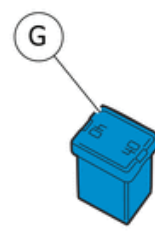
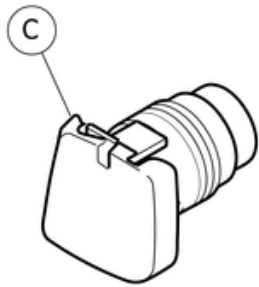
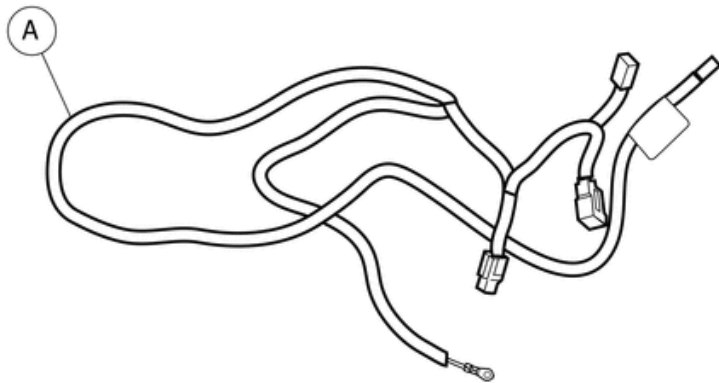
IMG-239660



IMG-239681



27 mm
IMG-282889



IMG-390556



Installation instructions, accessories

Volvo Car Corporation Gothenburg, Sweden

Information

1

Read through all of the instructions before starting installation.

Notifications and warning texts are for your safety and to minimise the risk of something breaking during installation.

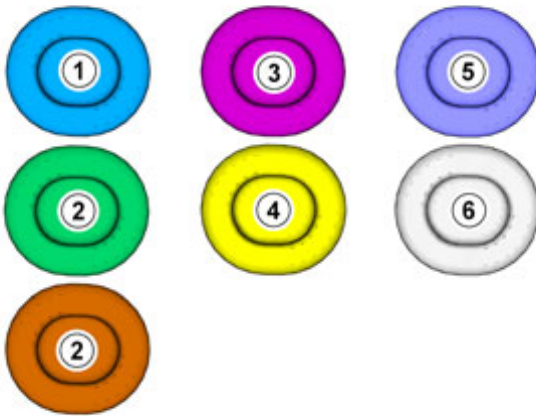
Ensure that all tools stated in the instructions are available before starting installation.

Certain steps in the instructions are only presented in the form of images. Explanatory text is also given for more complicated steps.

In the event of any problems with the instructions or the accessory, contact your local Volvo dealer.

Color symbols

2



Note!

This colour chart displays (in colour print and electronic version) the importance of the different colours used in the images of the method steps.

1. Used for focused component, the component with which you will do something.
2. Used as extra colors when you need to show or differentiate additional parts.
3. Used for attachments that are to be removed/installed. May be screws, clips, connectors, etc.
4. Used when the component is not fully removed from the vehicle but only hung to the side.
5. Used for standard tools and special tools.
6. Used as background color for vehicle components.

IMG-363036

Removal



Installation instructions, accessories

Volvo Car Corporation Gothenburg, Sweden

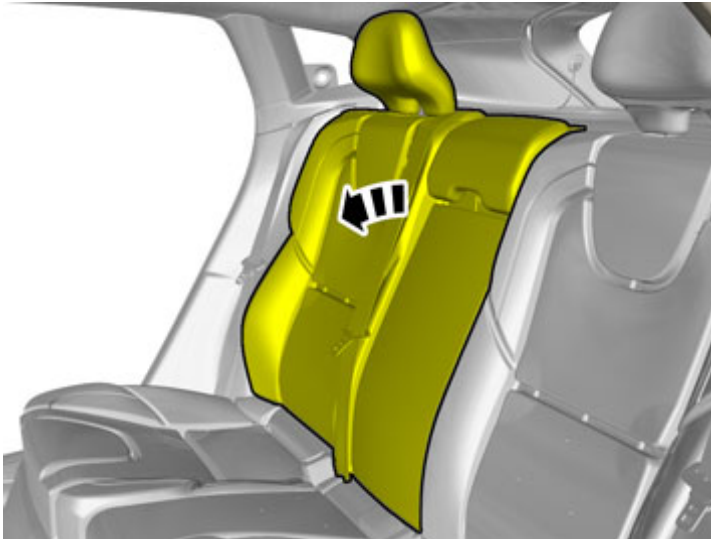
3

Set the ignition key to position 0.



IMG-332193

4



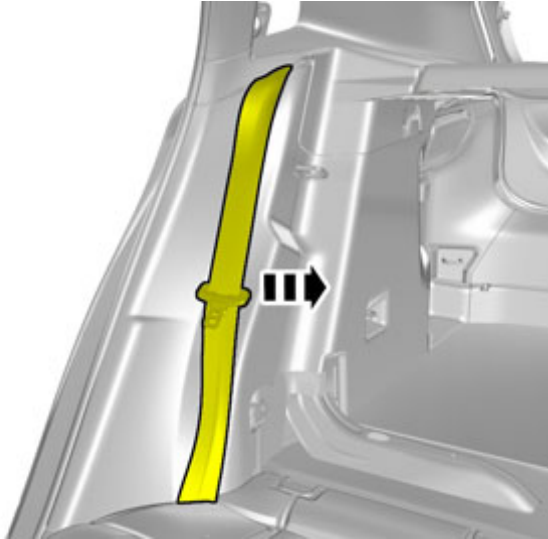
IMG-355927



Installation instructions, accessories

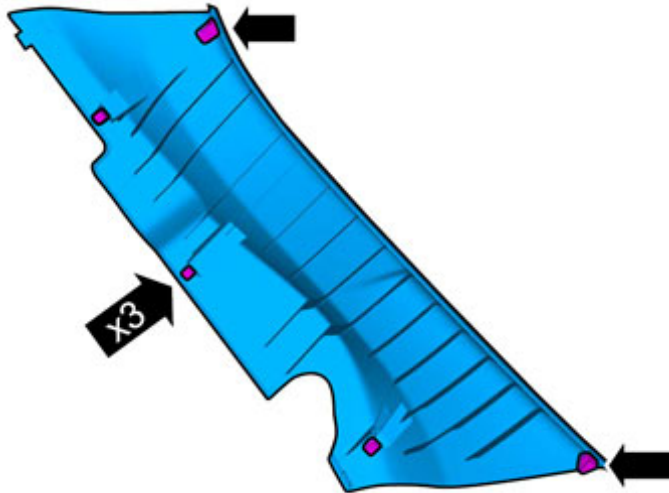
Volvo Car Corporation Gothenburg, Sweden

5



IMG-355932

6



IMG-372962

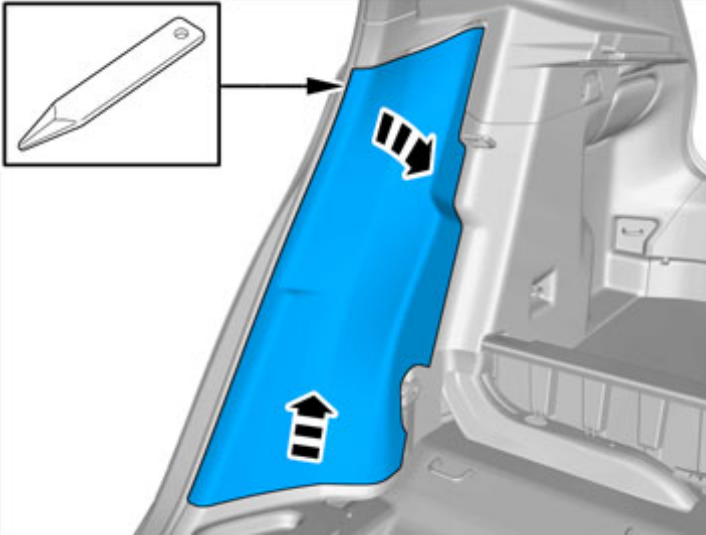
Note!
The graphic shows the back of the component before removal.



Installation instructions, accessories

Volvo Car Corporation Gothenburg, Sweden

7



IMG-372961

Remove the panel.

8



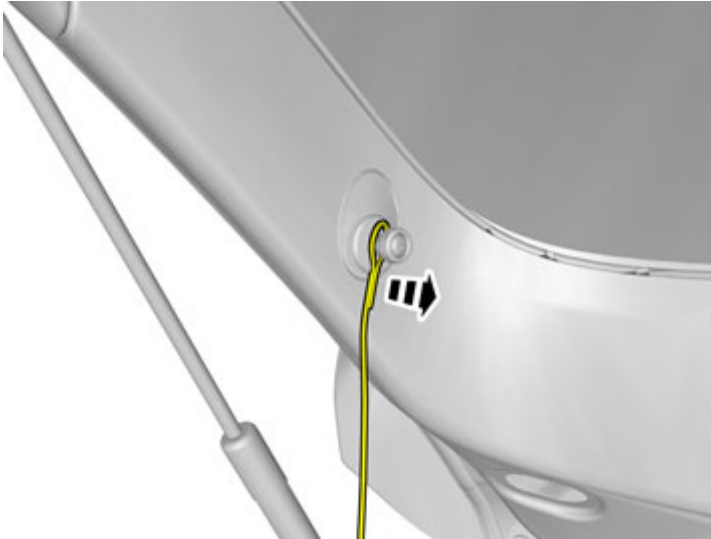
IMG-354413



Installation instructions, accessories

Volvo Car Corporation Gothenburg, Sweden

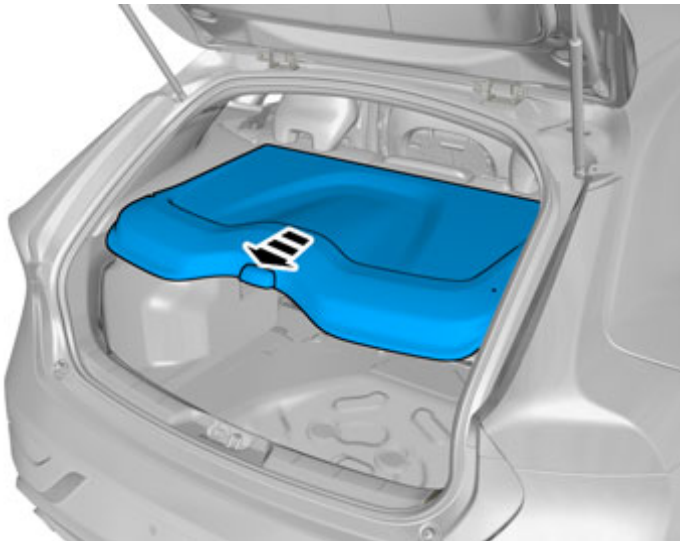
9



Repeat on the other side.

IMG-360944

10



IMG-360951



Installation instructions, accessories

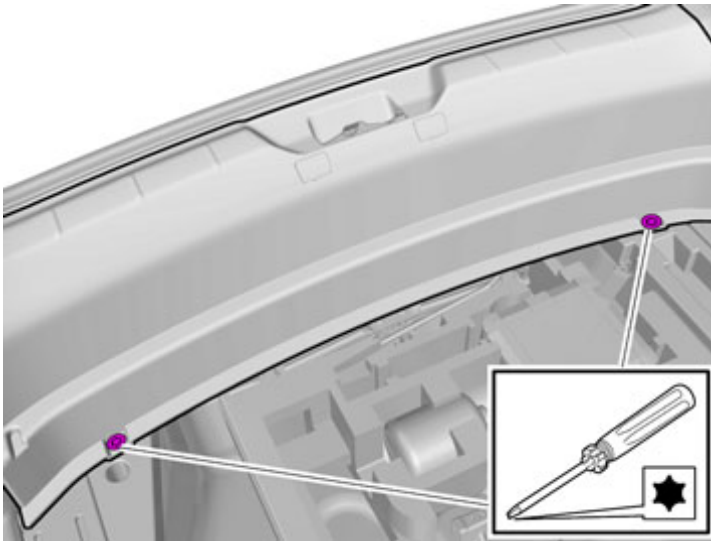
Volvo Car Corporation Gothenburg, Sweden

11



IMG-366366

12



IMG-355946

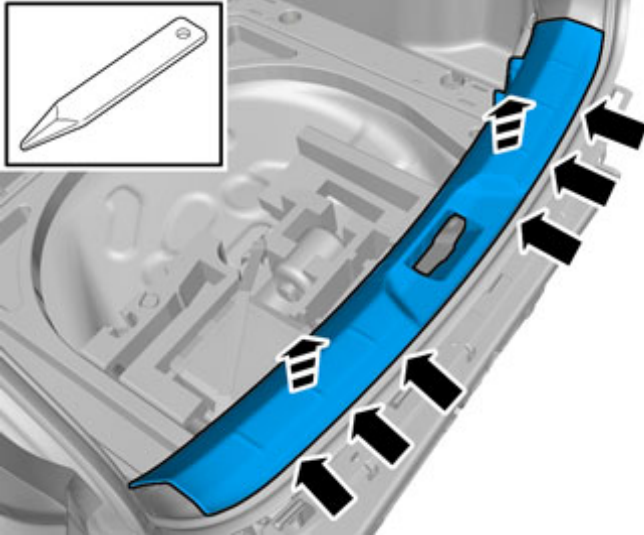
Remove the screws.



Installation instructions, accessories

Volvo Car Corporation Gothenburg, Sweden

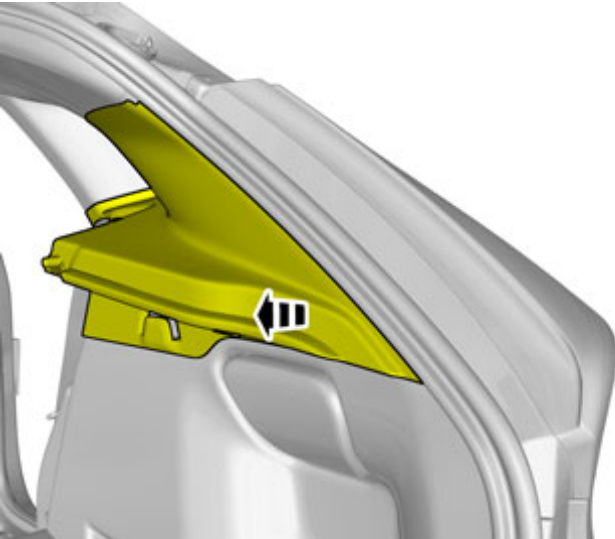
13



IMG-356006

Remove the panel.

14



IMG-373665

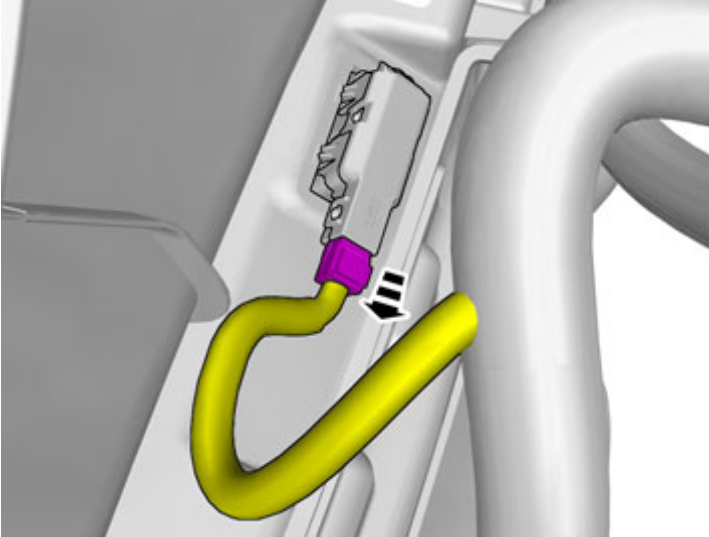
Detach the panel.



Installation instructions, accessories

Volvo Car Corporation Gothenburg, Sweden

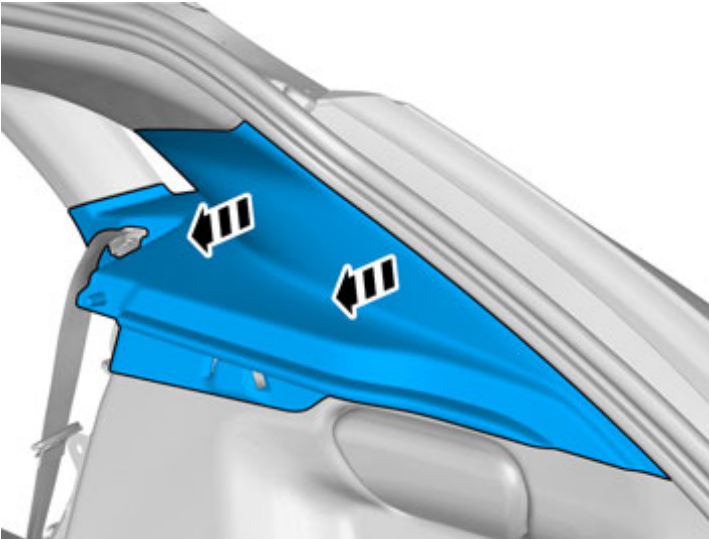
15



IMG-373664

Disconnect the connector, if applicable.

16



IMG-355942

Remove the panel.



Installation instructions, accessories

Volvo Car Corporation Gothenburg, Sweden

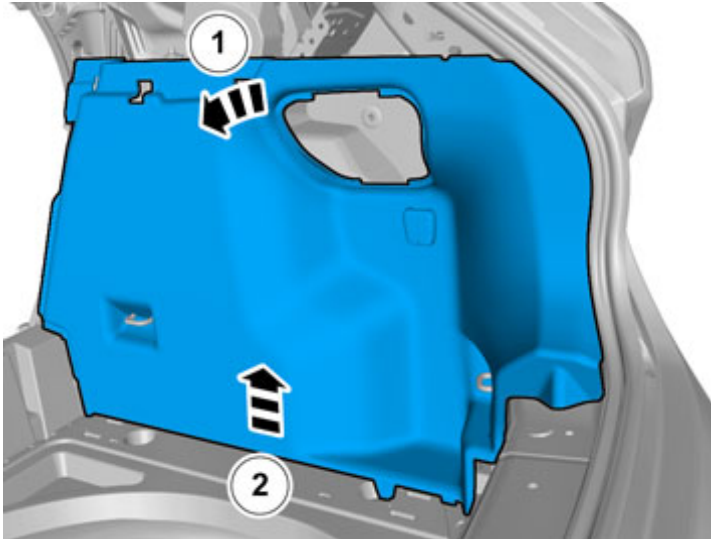
17



IMG-356008

Remove the panel.

18



IMG-356007

Remove the panel.

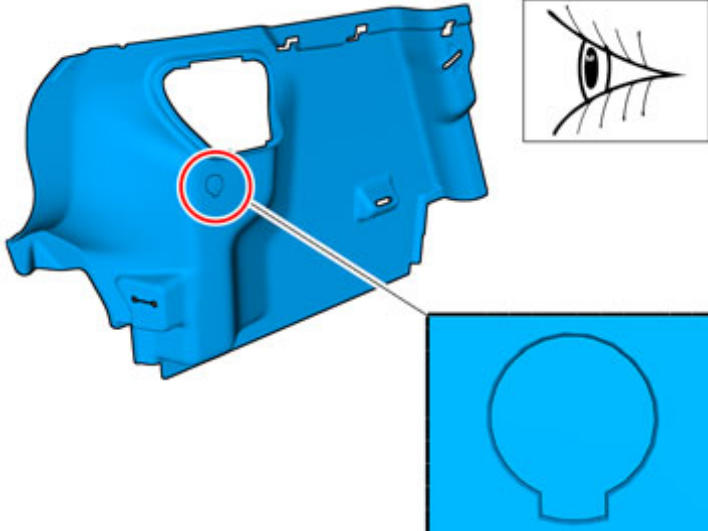
Accessory installation



Installation instructions, accessories

Volvo Car Corporation Gothenburg, Sweden

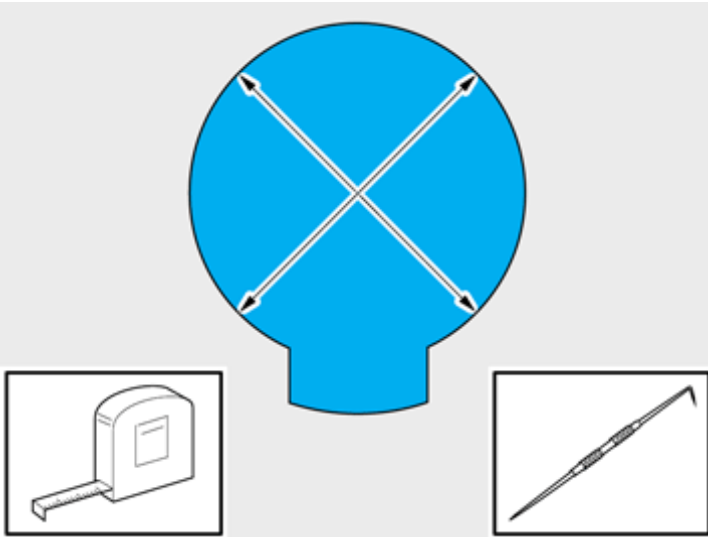
19



Locate relevant marking.

IMG-369099

20



Measure and mark out the centre.

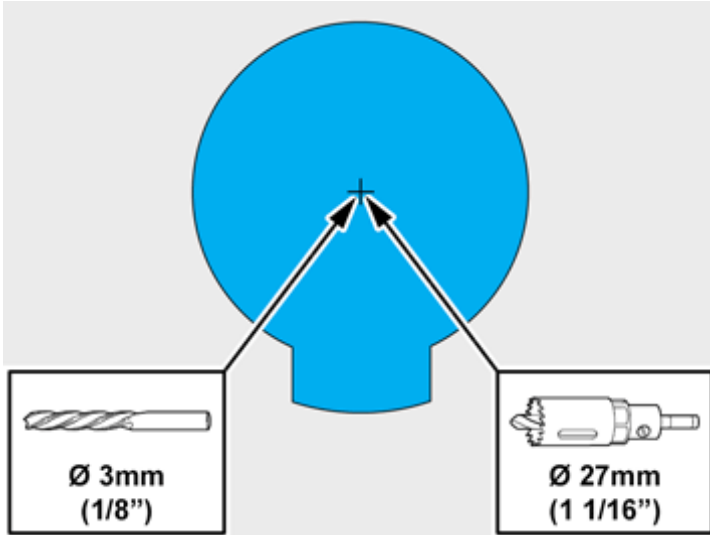
IMG-373730



Installation instructions, accessories

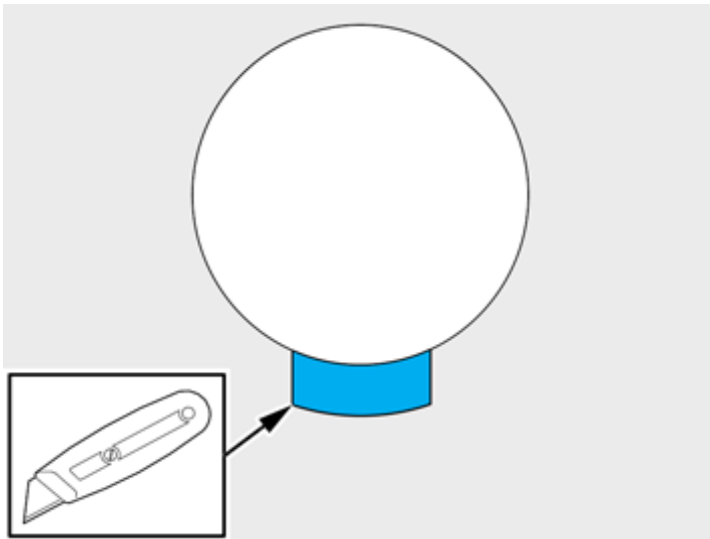
Volvo Car Corporation Gothenburg, Sweden

21



IMG-373731

22



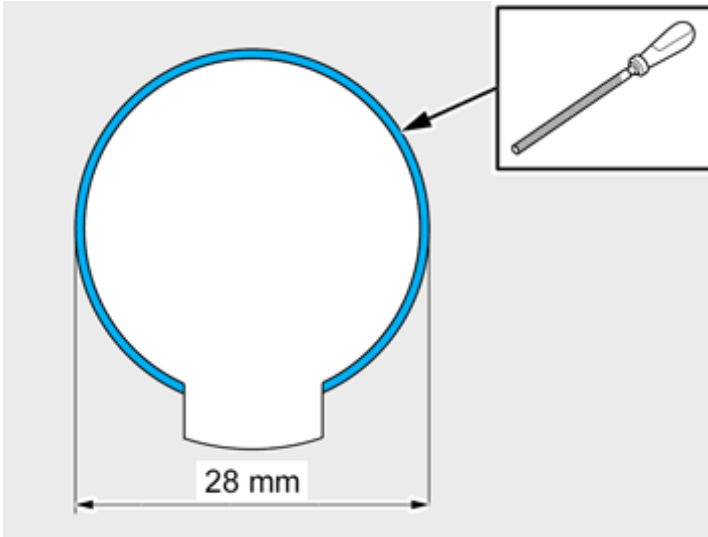
IMG-373732



Installation instructions, accessories

Volvo Car Corporation Gothenburg, Sweden

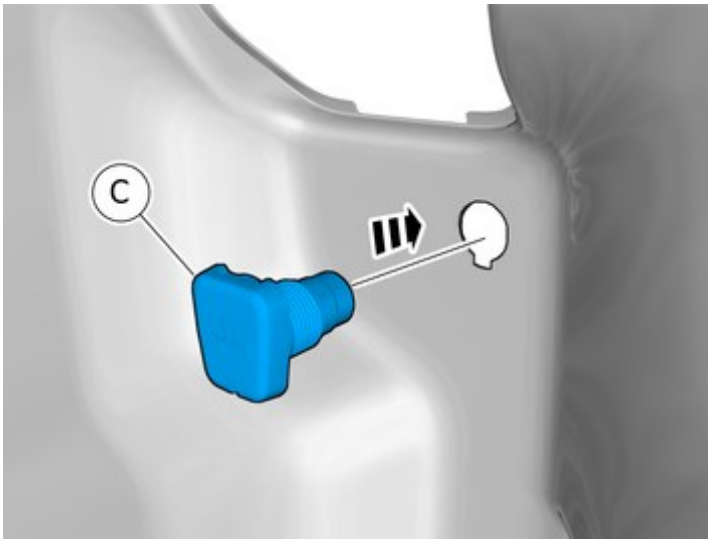
23



IMG-373733

Prepare the hole diameter.

24



IMG-391127

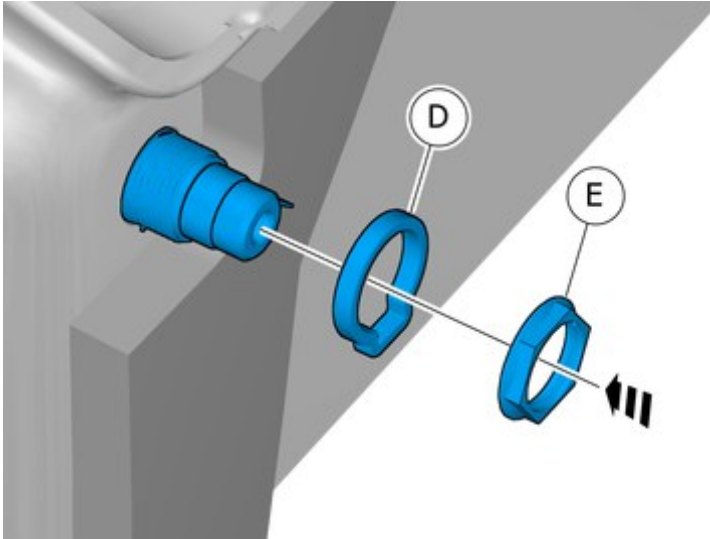
Install component that comes with the accessory kit.



Installation instructions, accessories

Volvo Car Corporation Gothenburg, Sweden

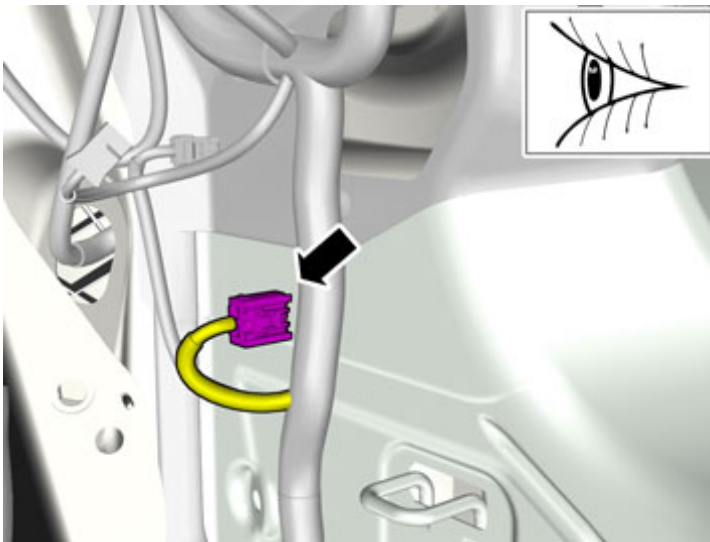
25



IMG-391146

Vehicles without tow hitch.

26



IMG-369484

Locate and disconnect the 2-pin connector that is taped to the car's cable harness.



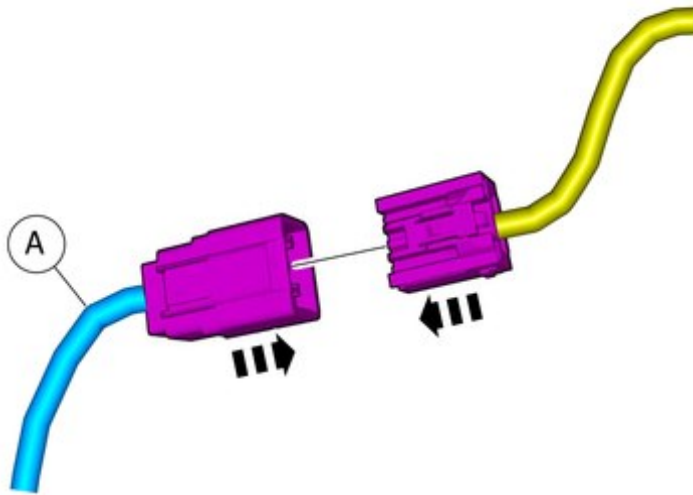
Installation instructions, accessories

Volvo Car Corporation Gothenburg, Sweden

27

Install component that comes with the accessory kit.

Connect the connector.

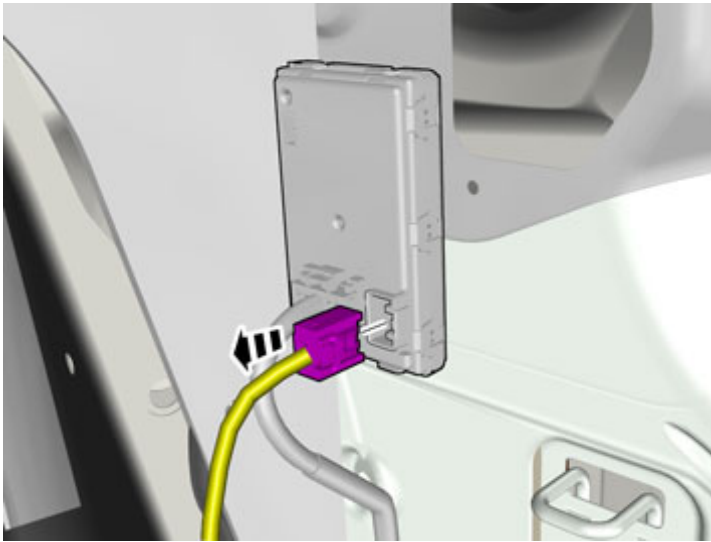


IMG-391136

Vehicles with towbar

28

Disconnect the connector.



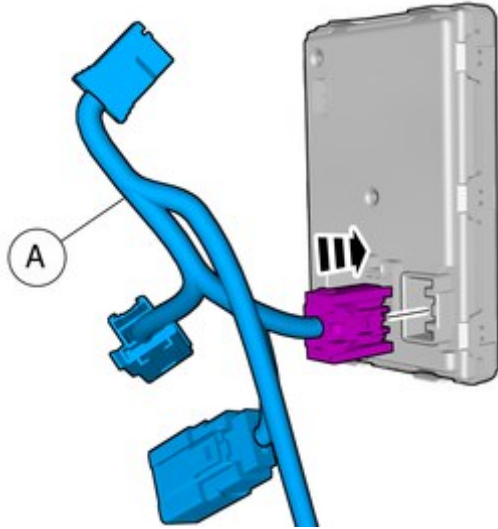
IMG-369299



Installation instructions, accessories

Volvo Car Corporation Gothenburg, Sweden

29

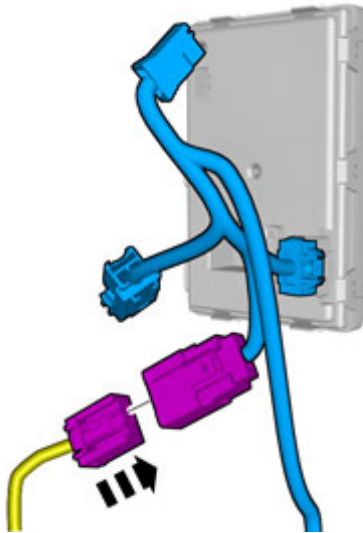


IMG-391141

Install component that comes with the accessory kit.

Connect the connector.

30



IMG-369308

Connect the connector.

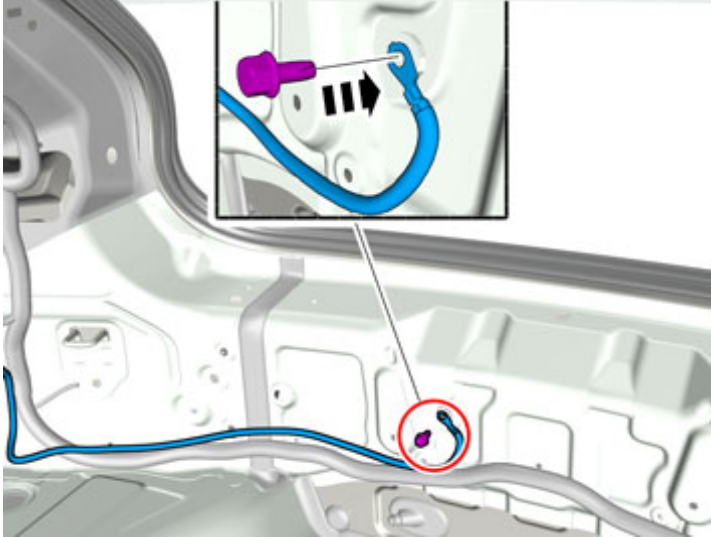
All vehicles



Installation instructions, accessories

Volvo Car Corporation Gothenburg, Sweden

31



IMG-369493

Route the cable harness to the existing cable harness.

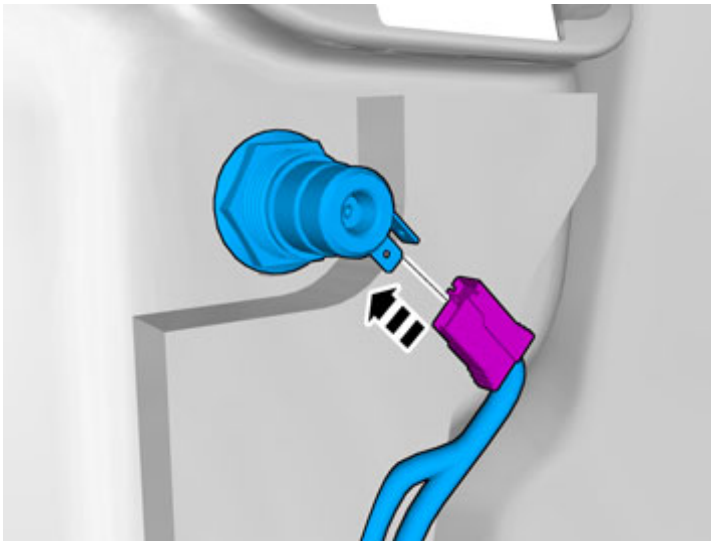
Connect the cable.

Install component that comes with the accessory kit.

Tightening torque: M6 , 10 Nm

Install the cable.

32



IMG-369144

Note!

Extra cable length must be secured using cable ties.

Connect the connector.

Clamp the cables and connectors to the existing cables to prevent noise.

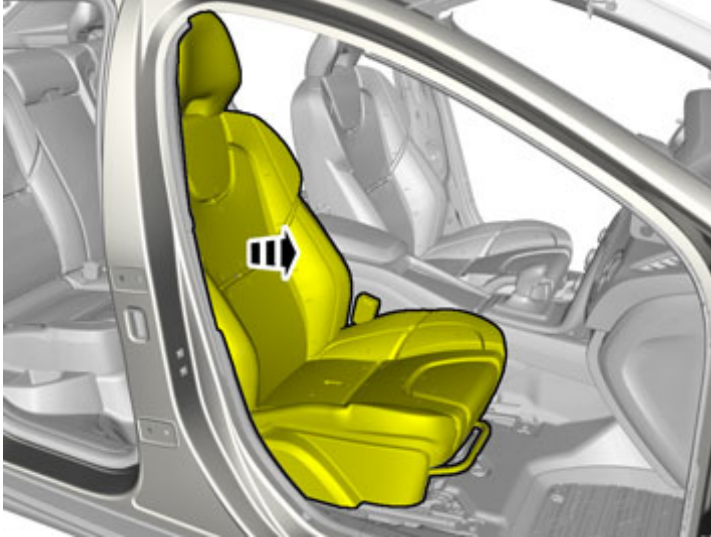
Vehicles without tow hitch.



Installation instructions, accessories

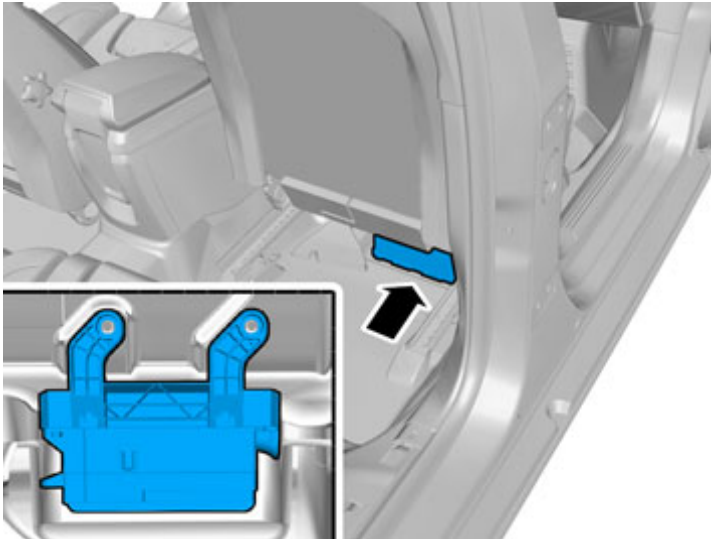
Volvo Car Corporation Gothenburg, Sweden

33



IMG-356526

34



IMG-356597

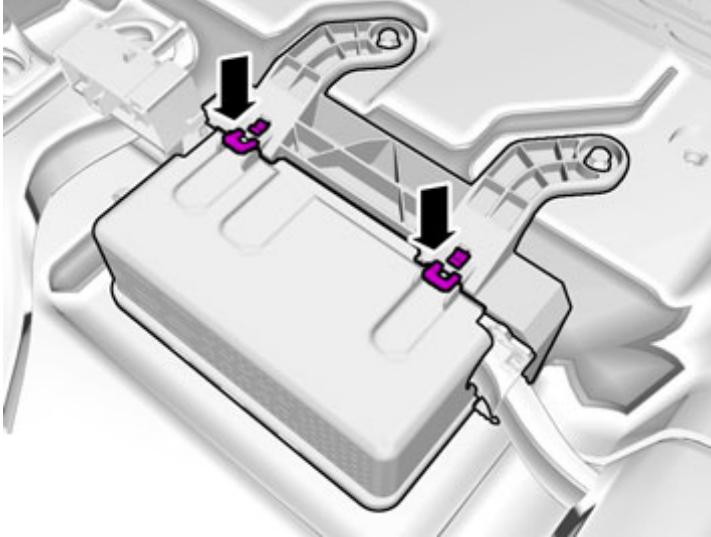
Note!
Orientation view



Installation instructions, accessories

Volvo Car Corporation Gothenburg, Sweden

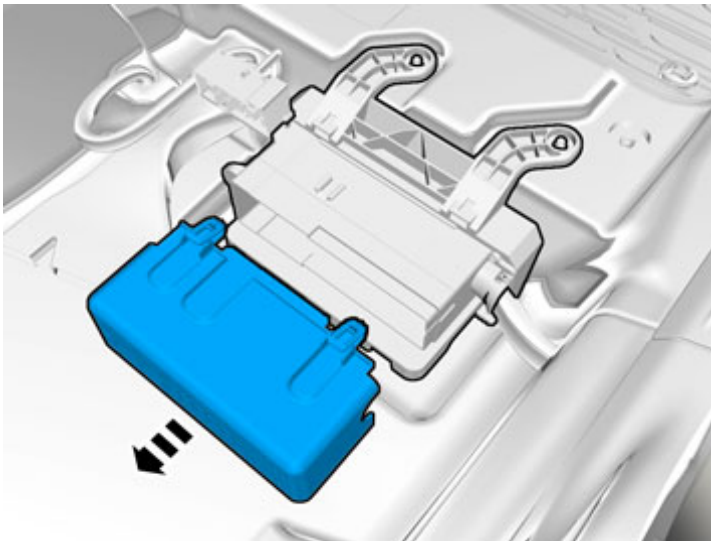
35



Release the locks.

IMG-356582

36



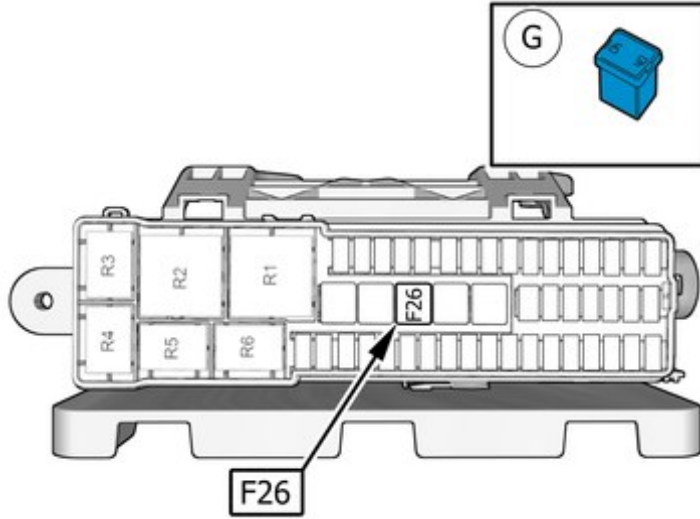
IMG-366013



Installation instructions, accessories

Volvo Car Corporation Gothenburg, Sweden

37

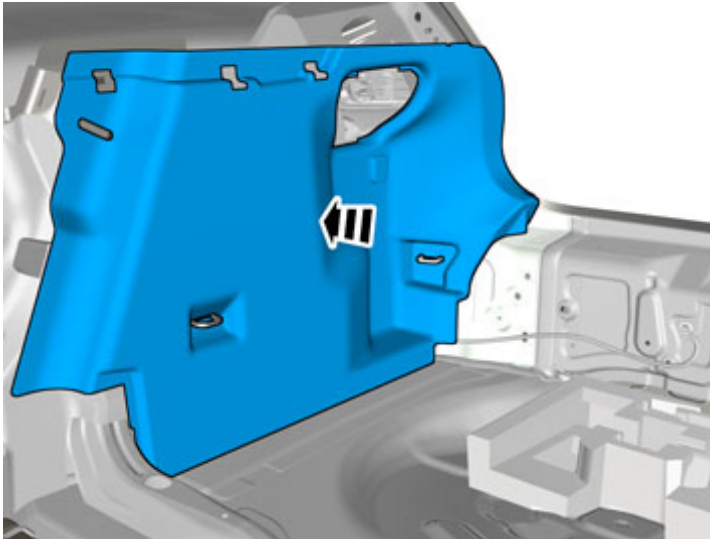


IMG-401071

All vehicles

Installation

38



IMG-369145

Install the panel.

39

Reinstall the removed parts in reverse order.