



# Installation instructions, accessories

Volvo Car Corporation Gothenburg, Sweden

**Instruction No**  
31359392

**Version**  
1.4

**Part. No.**  
31373770, 31373462, 31338929, 31338931, 31338930, 31373461, 31373460, 31373459

## Diffuser



IMG-374989



# Installation instructions, accessories

Volvo Car Corporation Gothenburg, Sweden

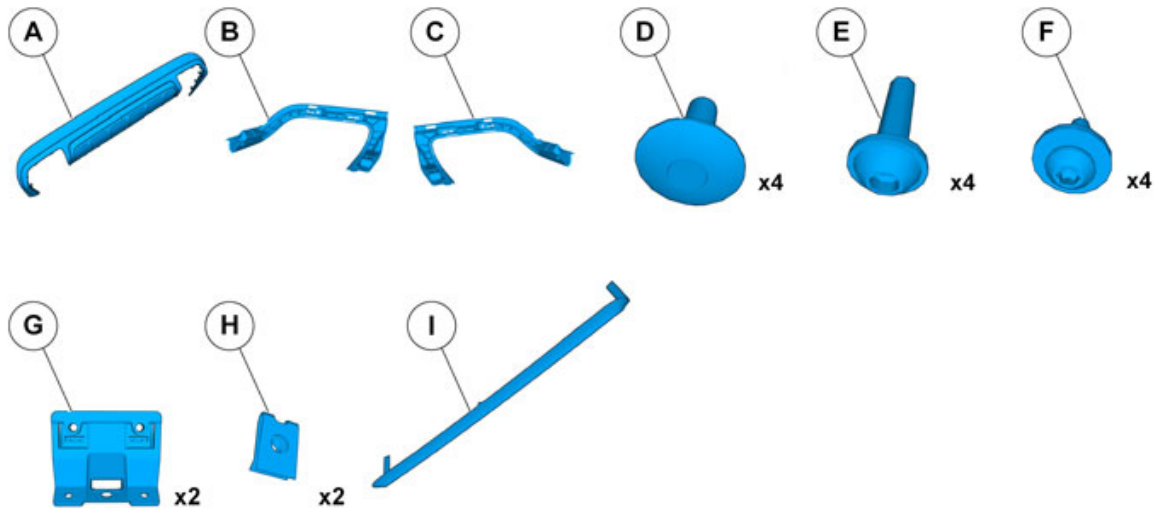
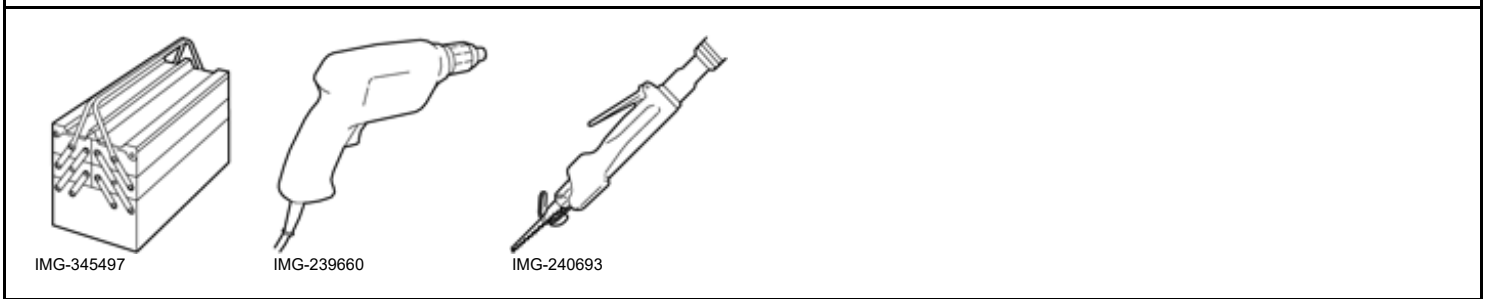
## Special tools

	999 7234 Hole stamp Tool number:999 7234 Tool description:Hole stamp Tool boards:80
--	--

## Materials

Designation	Part number
Isopropanol	1161721
Activator	8637076

## Equipment



IMG-375101



# Installation instructions, accessories

Volvo Car Corporation Gothenburg, Sweden



# Installation instructions, accessories

Volvo Car Corporation Gothenburg, Sweden

## Information

1

Read through all of the instructions before starting installation.

Notifications and warning texts are for your safety and to minimise the risk of something breaking during installation.

Ensure that all tools stated in the instructions are available before starting installation.

Certain steps in the instructions are only presented in the form of images. Explanatory text is also given for more complicated steps.

In the event of any problems with the instructions or the accessory, contact your local Volvo dealer.

## Further information

2

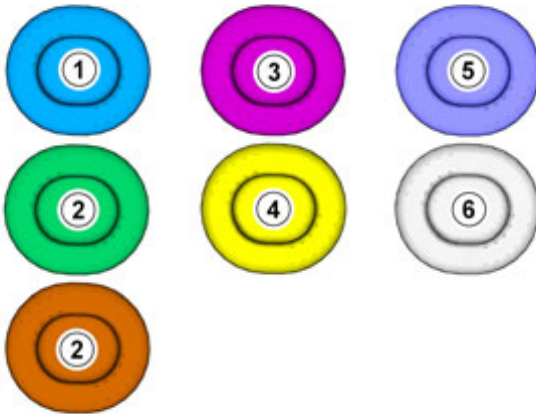
When installing, the car must retain a temperature of 20 degrees C.

After installation, the car must not be washed for 48 hours

There may be parts in the accessories kit that are not needed for this installation.

## Color symbols

3



IMG-363036

### Note!

This colour chart displays (in colour print and electronic version) the importance of the different colours used in the images of the method steps.

1. Used for focused component, the component with which you will do something.
2. Used as extra colors when you need to show or differentiate additional parts.
3. Used for attachments that are to be removed/installed. May be screws, clips, connectors, etc.
4. Used when the component is not fully removed from the vehicle but only hung to the side.
5. Used for standard tools and special tools.
6. Used as background color for vehicle components.

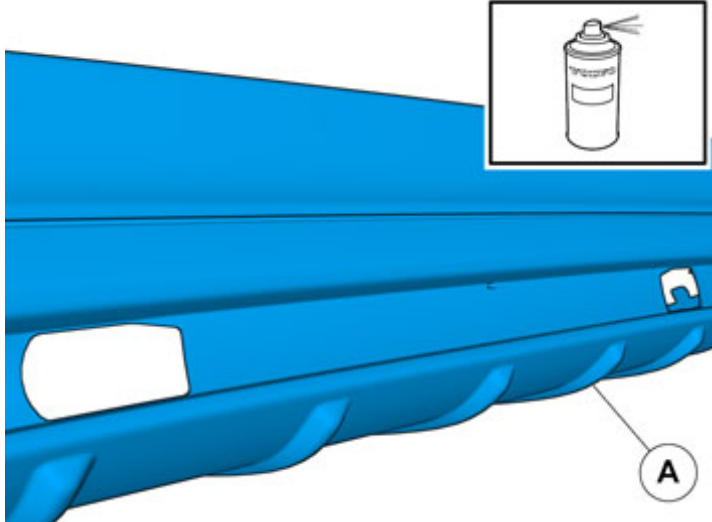
## Applies to unpainted component



# Installation instructions, accessories

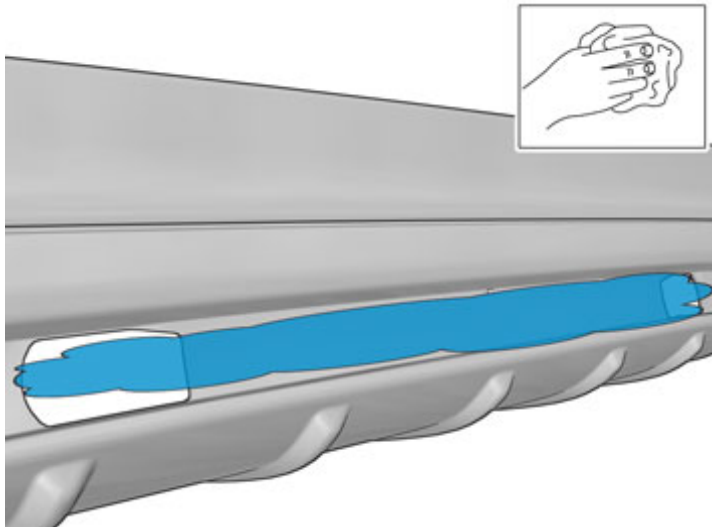
Volvo Car Corporation Gothenburg, Sweden

4



IMG-377406

5



IMG-377315

**Caution!**  
First the paint must dry after painting.

Clean the surface.

**Use:** 1161721, Isopropanol

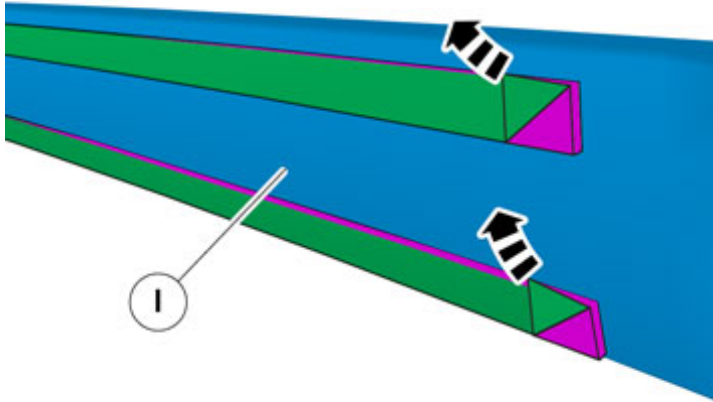


# Installation instructions, accessories

Volvo Car Corporation Gothenburg, Sweden

6

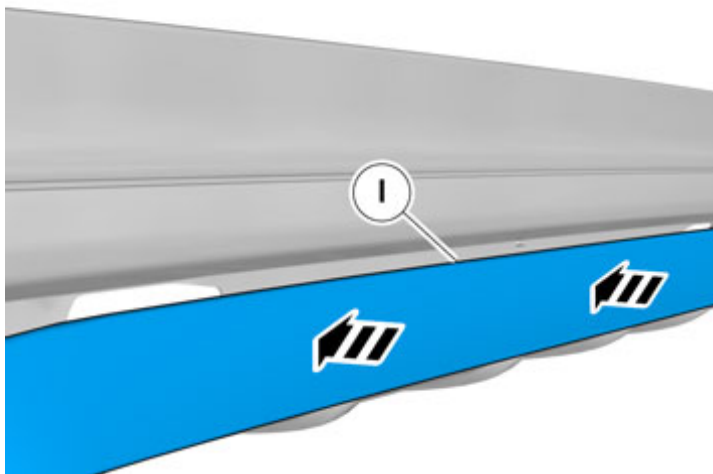
Remove the protective film.



IMG-377404

7

Install component that comes with the accessory kit.



IMG-377405

All vehicles

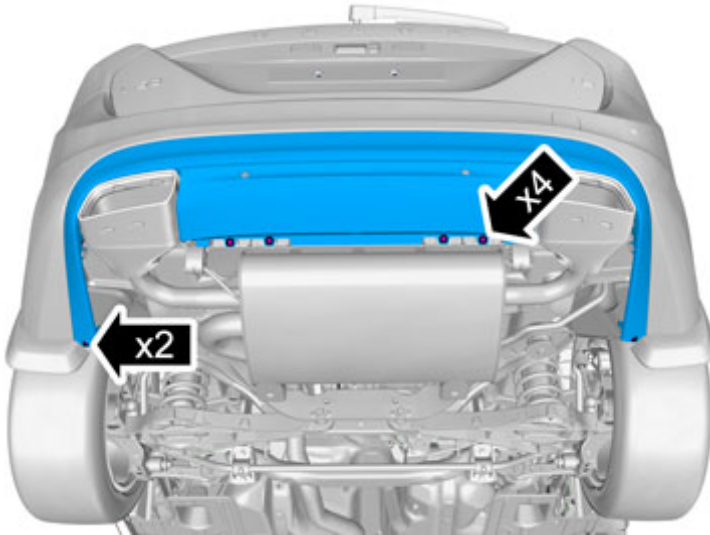
Removal



# Installation instructions, accessories

Volvo Car Corporation Gothenburg, Sweden

8

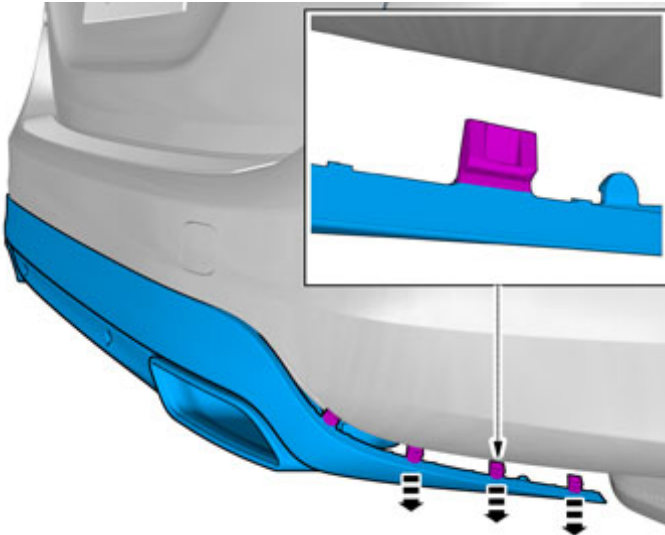


IMG-374993

Remove the screws.

Remove the clips.

9



IMG-374999

Detach the panel.

On both sides.

**Use:** Interior trim remover

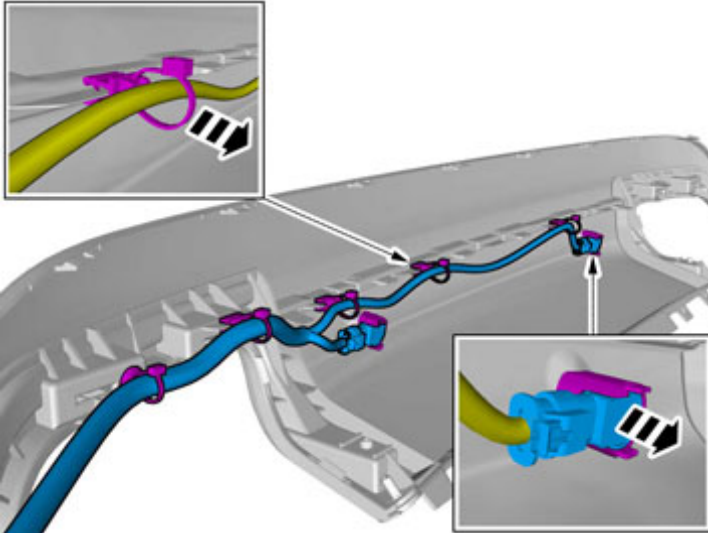
**Vehicles with parking assistance**



# Installation instructions, accessories

Volvo Car Corporation Gothenburg, Sweden

10



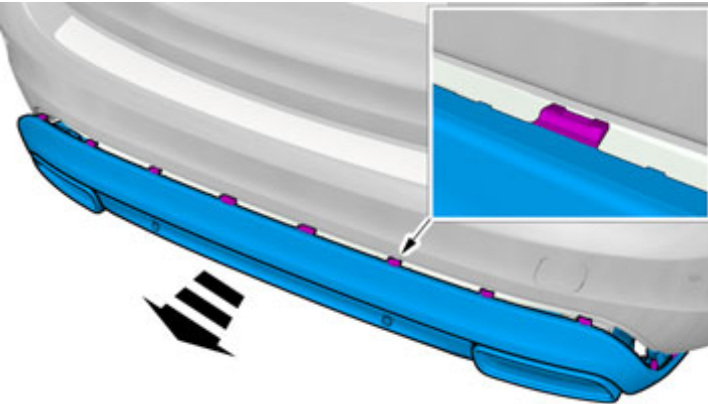
IMG-375029

**Note!**

The graphic shows the back of the component before removal.

The part is to be reused.

11



IMG-375009

Remove the panel.

## Accessory installation

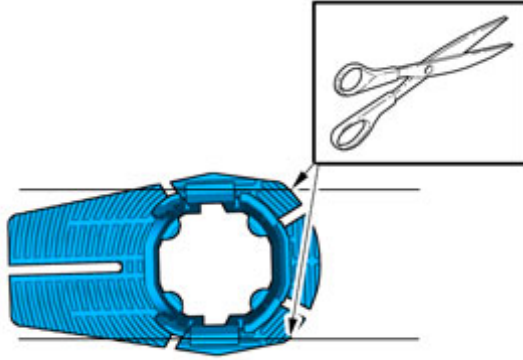




# Installation instructions, accessories

Volvo Car Corporation Gothenburg, Sweden

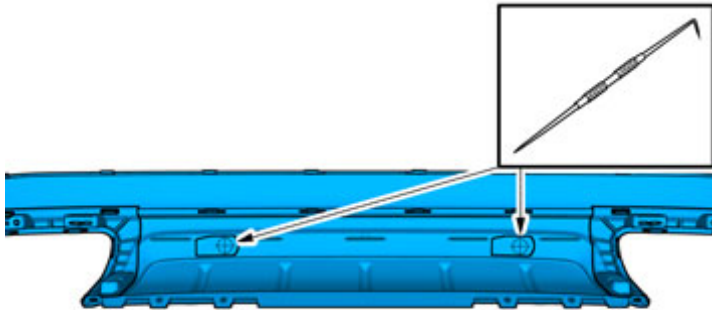
12



x2

IMG-375359

13



Locate relevant marking.

Measure and mark as illustrated.

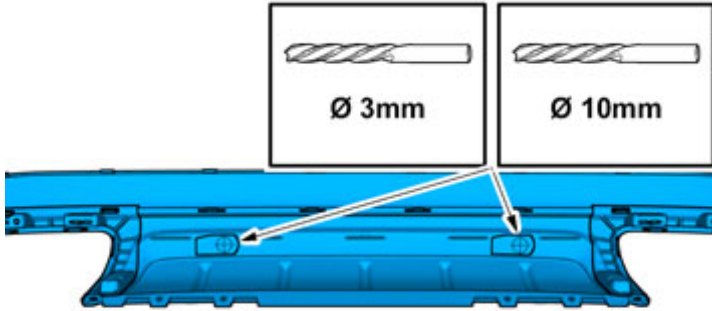
IMG-375357



# Installation instructions, accessories

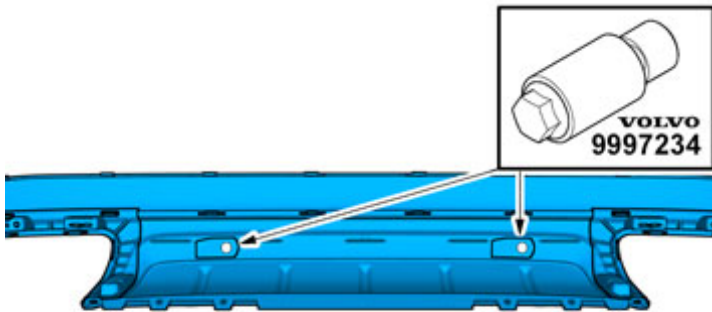
Volvo Car Corporation Gothenburg, Sweden

14



IMG-375364

15



**Use special tool:** T9997234, Hole stamp

Remove the swarf.

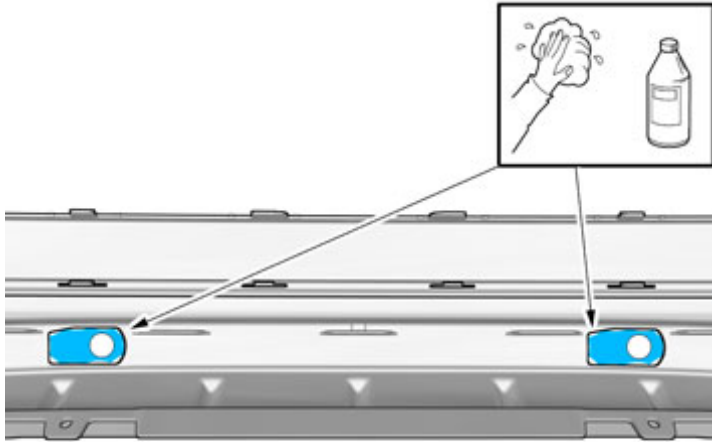
IMG-375369



# Installation instructions, accessories

Volvo Car Corporation Gothenburg, Sweden

16



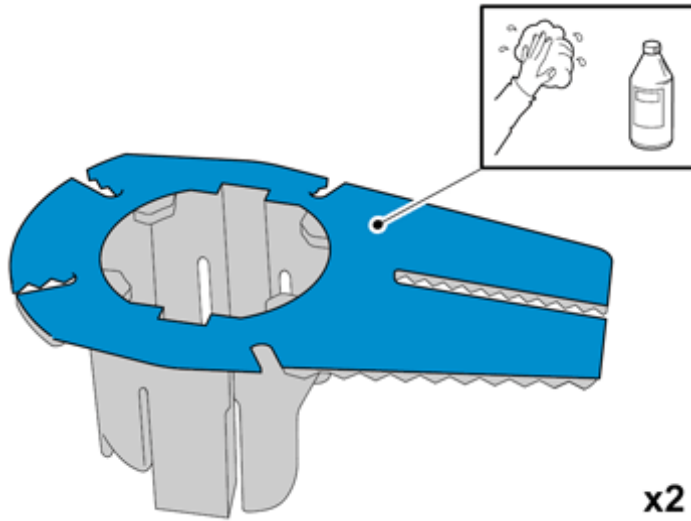
Clean the surfaces.

Allow to dry.

**Use:** 1161721, Isopropanol

IMG-375376

17



Clean the surfaces.

**Use:** 1161721, Isopropanol

Allow to dry.

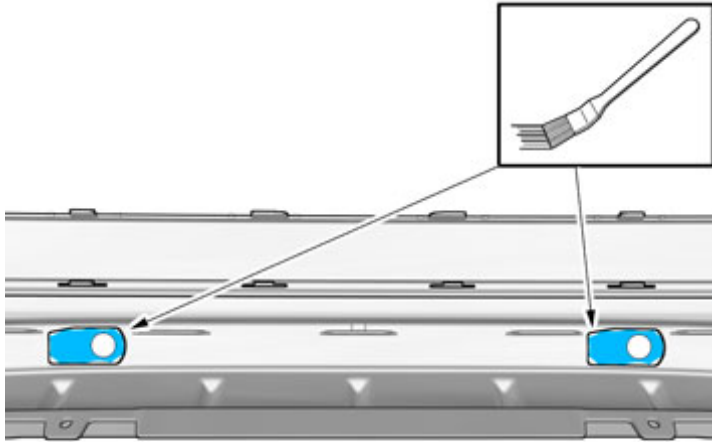
IMG-353519



# Installation instructions, accessories

Volvo Car Corporation Gothenburg, Sweden

18



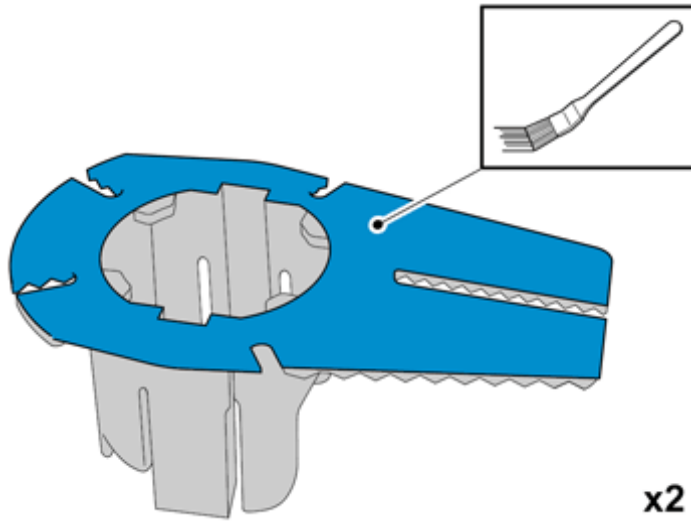
IMG-375378

Apply a thin and even layer.

**Use:** 8637076, Activator

Allow to dry for at least 10 minutes.

19



IMG-353518

Apply a thin and even layer.

**Use:** 8637076, Activator

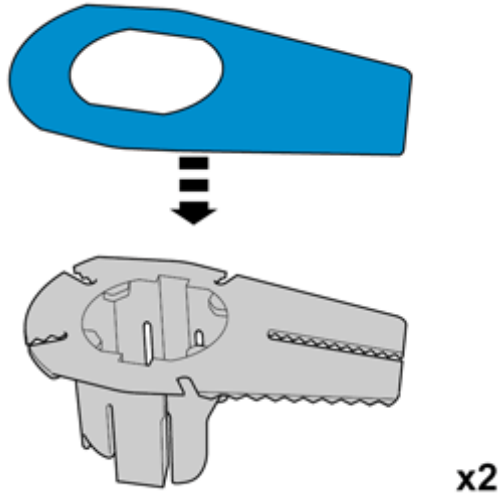
Allow to dry for at least 10 minutes.



# Installation instructions, accessories

Volvo Car Corporation Gothenburg, Sweden

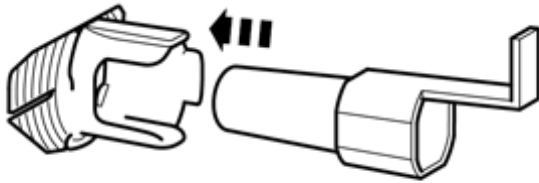
20



IMG-353515

21

**Note!**  
Prepare and install one holder at a time.



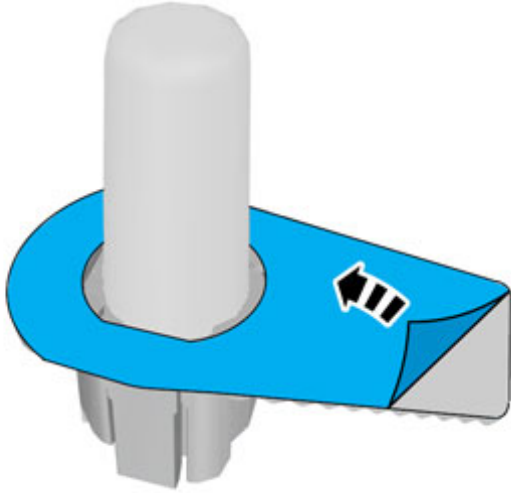
IMG-340202



# Installation instructions, accessories

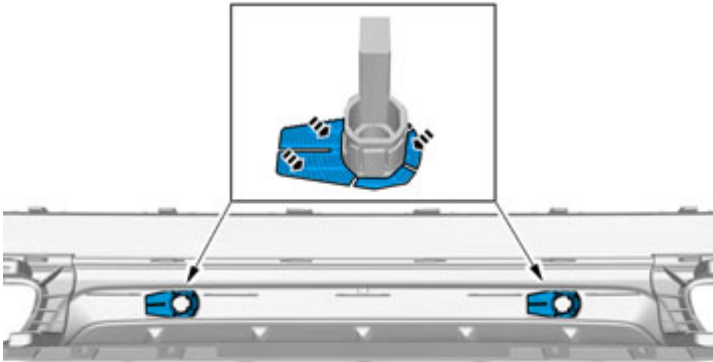
Volvo Car Corporation Gothenburg, Sweden

22



IMG-340690

23



**Note!**

Ensure that the tape is fixed to the surface.

IMG-375400

## Removal



# Installation instructions, accessories

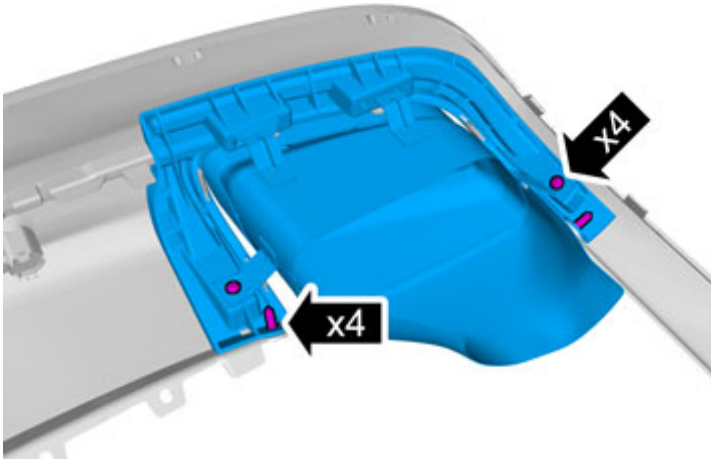
Volvo Car Corporation Gothenburg, Sweden

24

Remove the screws.

Remove the clips.

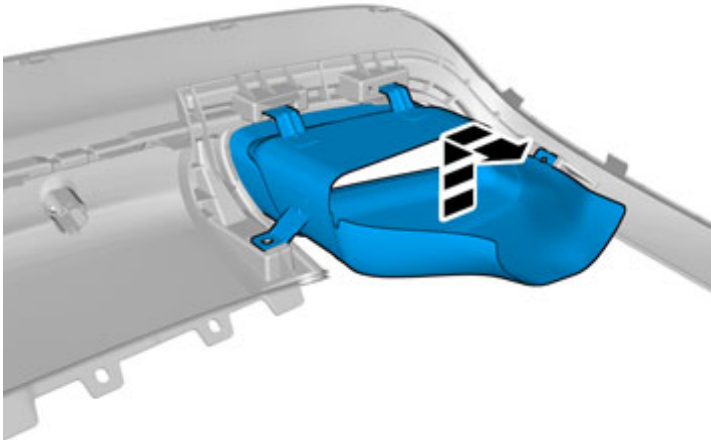
On both sides.



IMG-375013

25

The part is to be reused.



IMG-375034

**Accessory installation**



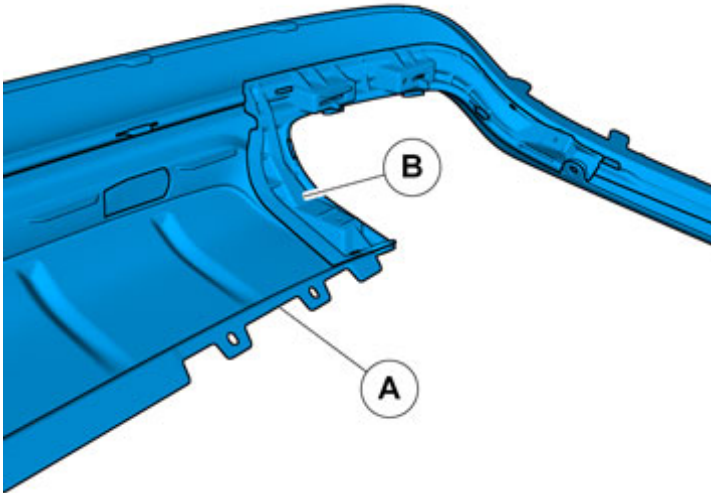
# Installation instructions, accessories

Volvo Car Corporation Gothenburg, Sweden

26

Install component that comes with the accessory kit.

On both sides.



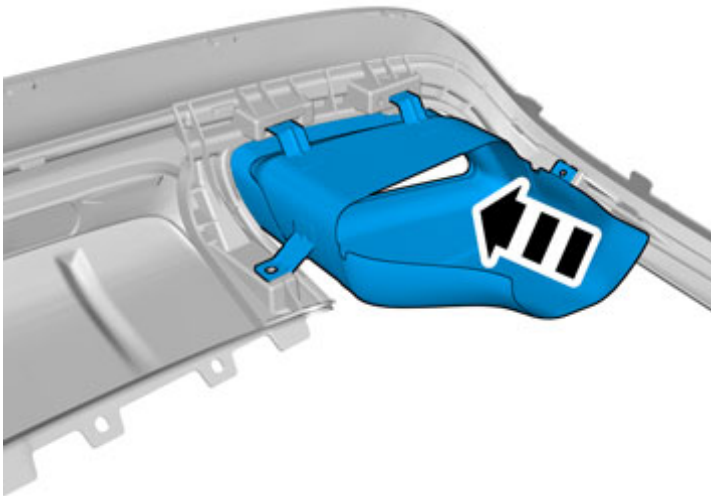
IMG-375019

## Installation

27

Reinstall the removed part.

On both sides.



IMG-375039

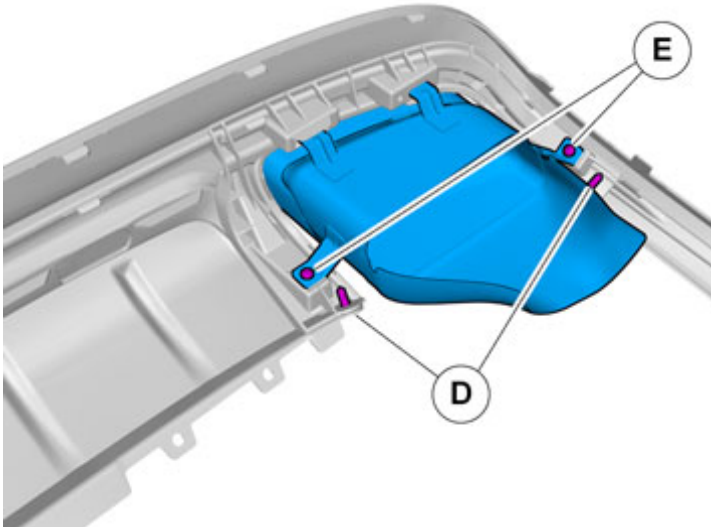




# Installation instructions, accessories

Volvo Car Corporation Gothenburg, Sweden

28



IMG-375061

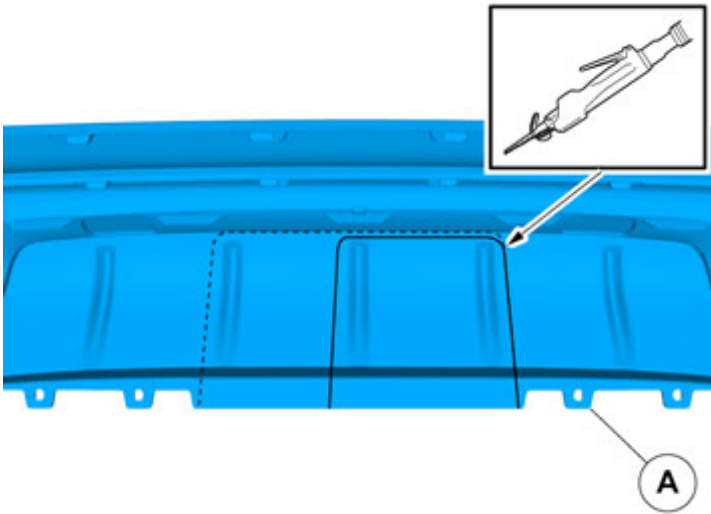
Install the screws.

Install the clip(s).

On both sides.

## Vehicles with fixed towbar

29



IMG-376088

Locate relevant marking.

**Use:** Air-powered keyhole saw

Remove the swarf.

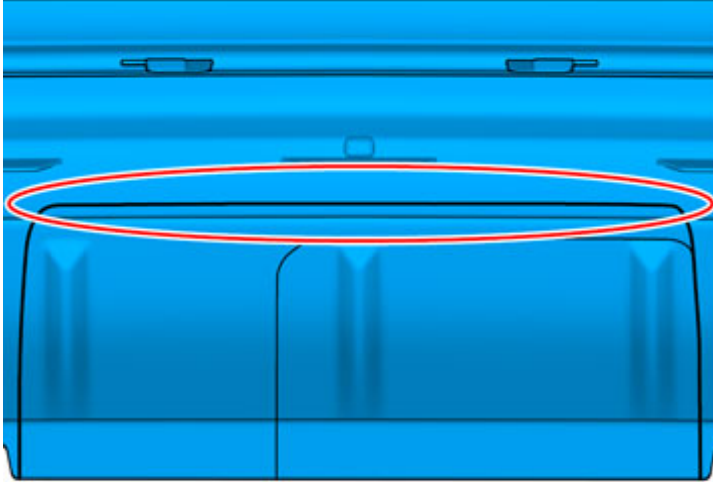
## Vehicles with detachable towbar



# Installation instructions, accessories

Volvo Car Corporation Gothenburg, Sweden

30



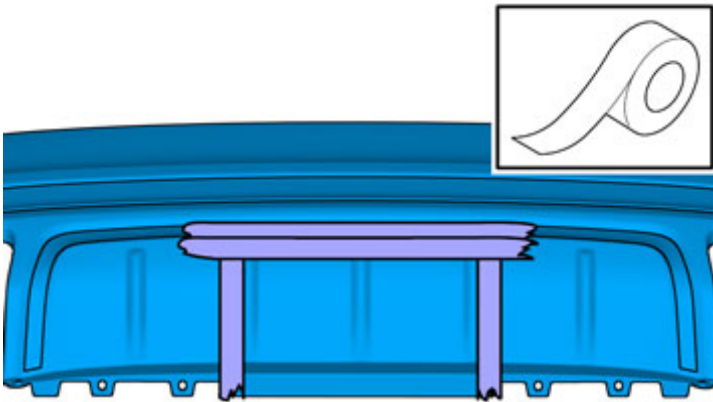
**Note!**

Do not use the uppermost line of the actual markings.

Locate relevant marking.

IMG-377003

31



Apply tape to the other side, opposite the marking lines.

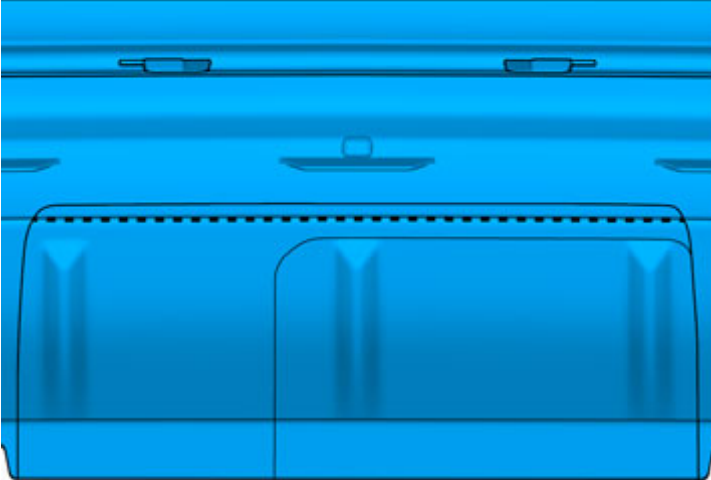
IMG-376820



# Installation instructions, accessories

Volvo Car Corporation Gothenburg, Sweden

32

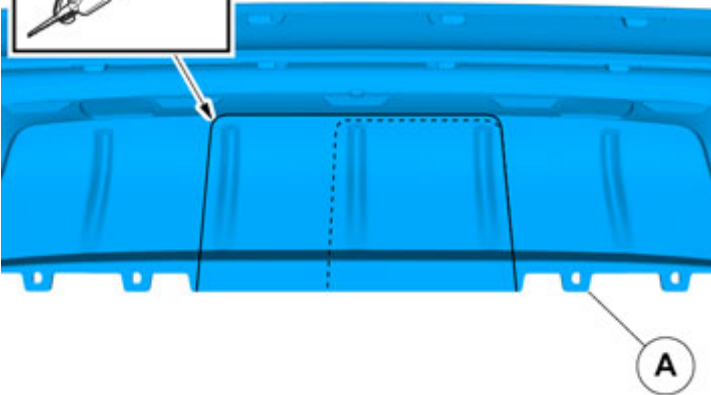


IMG-376938

**Note!**

Saw in the radius between the existing marking lines.

33



IMG-376090

**Caution!**

Be extra careful when removing or installing this component.

**Use:** Air-powered keyhole saw

Remove the swarf.

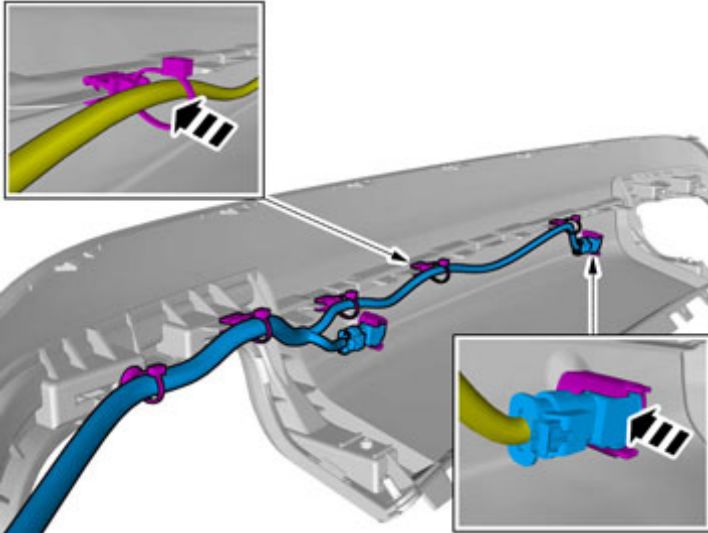
**Vehicles with parking assistance**



# Installation instructions, accessories

Volvo Car Corporation Gothenburg, Sweden

34

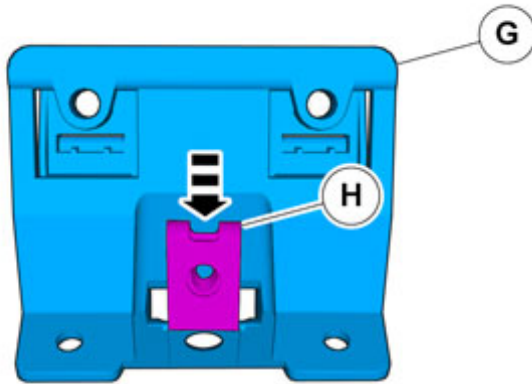


IMG-375066

Accessory installation

Vehicles without Integrated Exhaust End Pipes

35



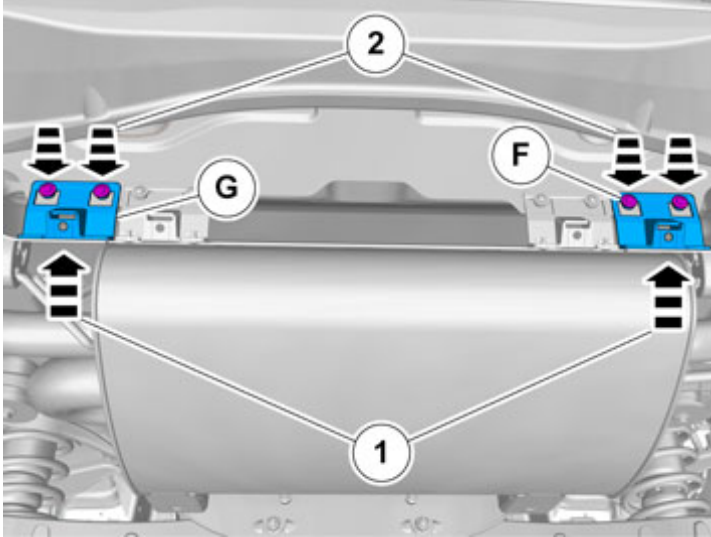
IMG-376790



# Installation instructions, accessories

Volvo Car Corporation Gothenburg, Sweden

36



IMG-376782

All vehicles

37



IMG-375059

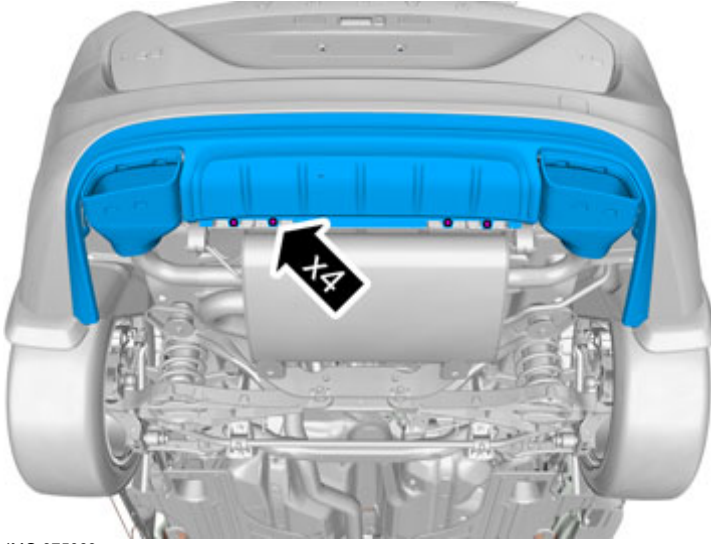


# Installation instructions, accessories

Volvo Car Corporation Gothenburg, Sweden

38

Reinstall the screws.



IMG-375063