



# Installation instructions, accessories

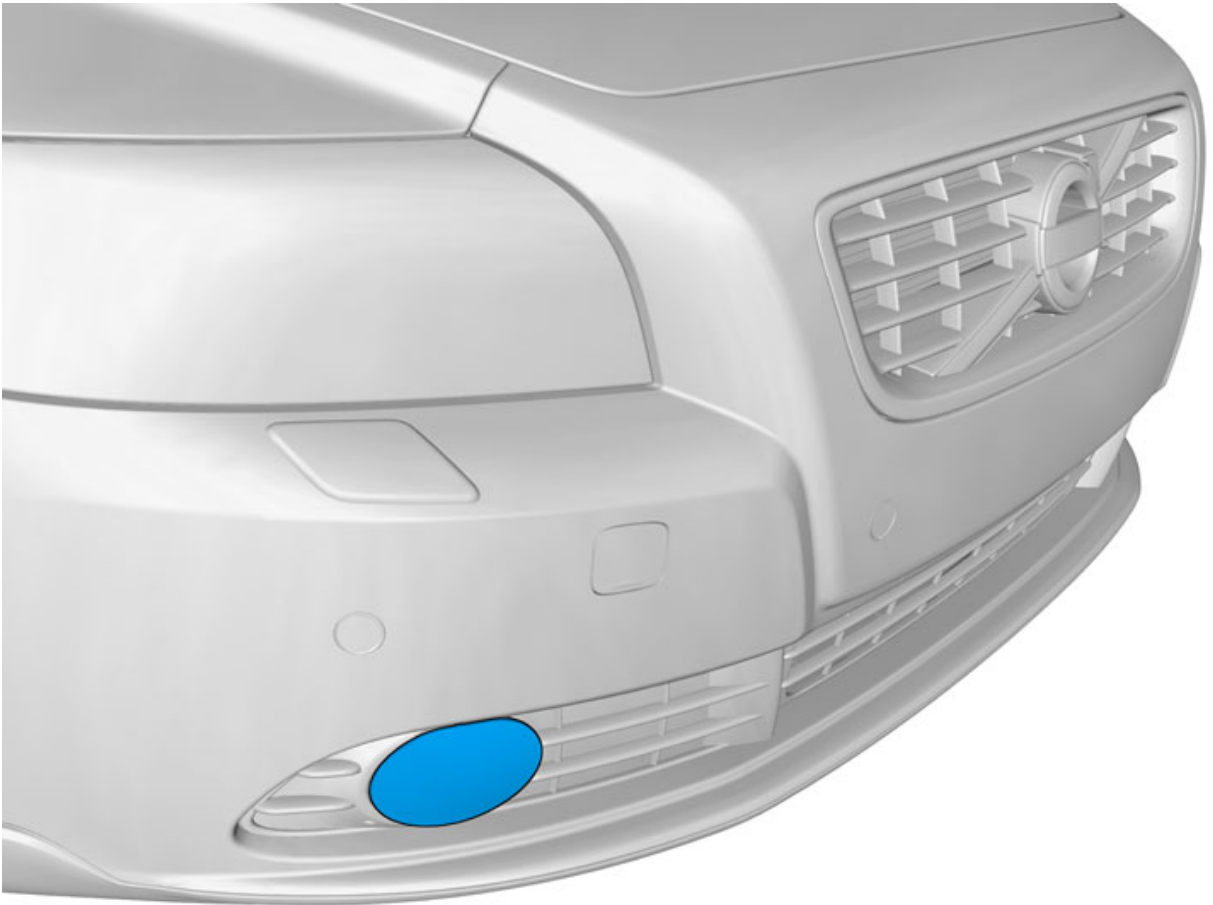
Volvo Car Corporation Gothenburg, Sweden

**Instruction No**  
31330681

**Version**  
1.0

**Part. No.**  
31330684, 31330685

## Daytime Running Light LED



IMG-349197

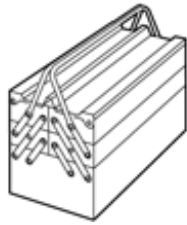


# Installation instructions, accessories

Volvo Car Corporation Gothenburg, Sweden

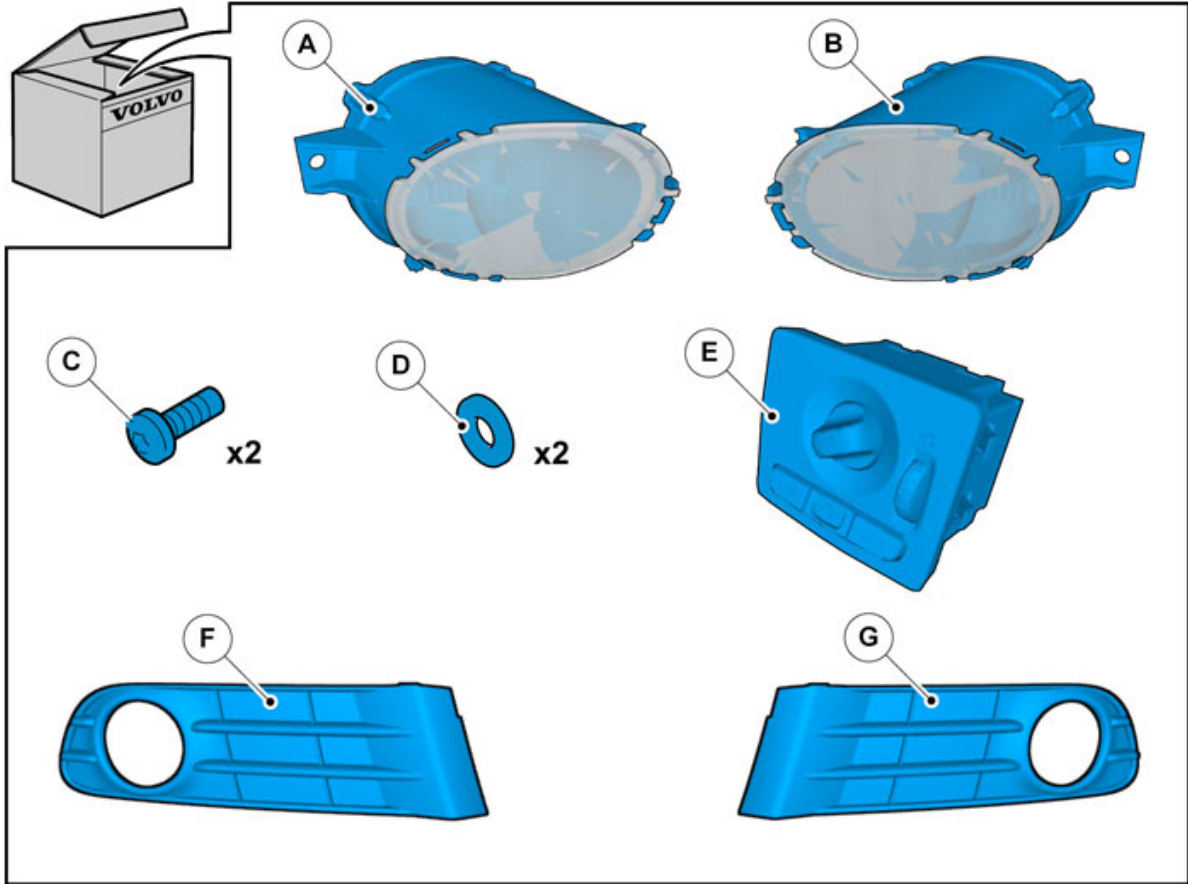
## Equipment

# VIDA



IMG-242205

IMG-345497



IMG-349196



# Installation instructions, accessories

Volvo Car Corporation Gothenburg, Sweden

---

## Information

1

Read through all of the instructions before starting installation.

Notifications and warning texts are for your safety and to minimise the risk of something breaking during installation.

Ensure that all tools stated in the instructions are available before starting installation.

Certain steps in the instructions are only presented in the form of images. Explanatory text is also given for more complicated steps.

In the event of any problems with the instructions or the accessory, contact your local Volvo dealer.

---

## Conditions

2

Set the ignition key to position 0.



IMG-332193

---

## Removal

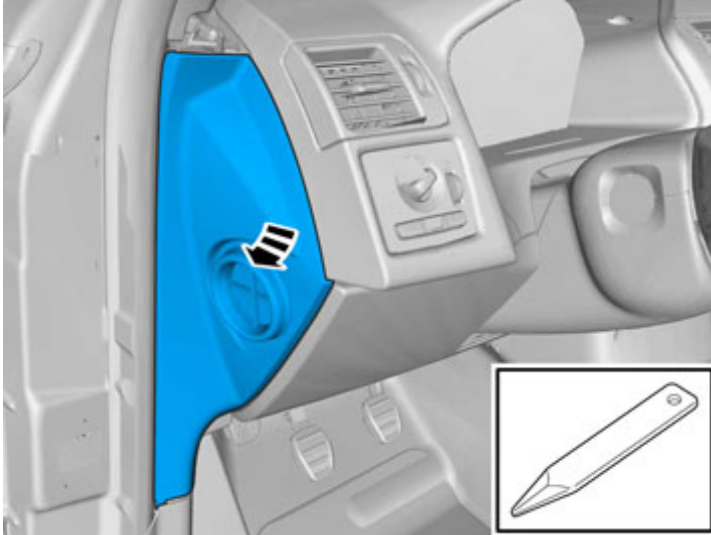
---



# Installation instructions, accessories

Volvo Car Corporation Gothenburg, Sweden

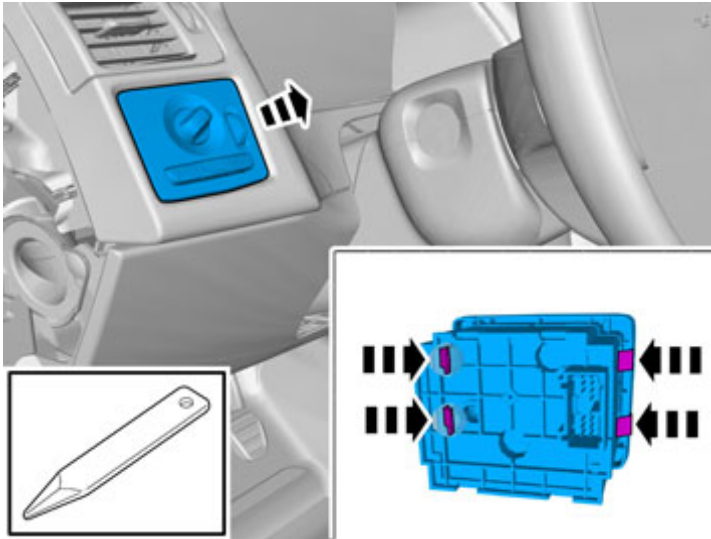
3



IMG-328423

Remove the panel.

4



IMG-328424

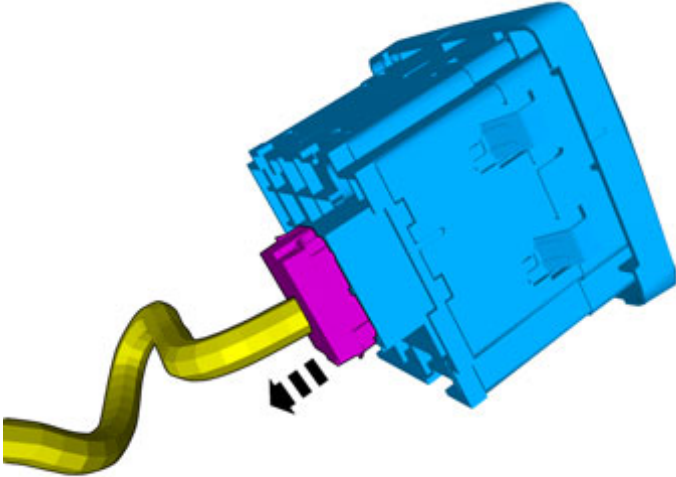


# Installation instructions, accessories

Volvo Car Corporation Gothenburg, Sweden

5

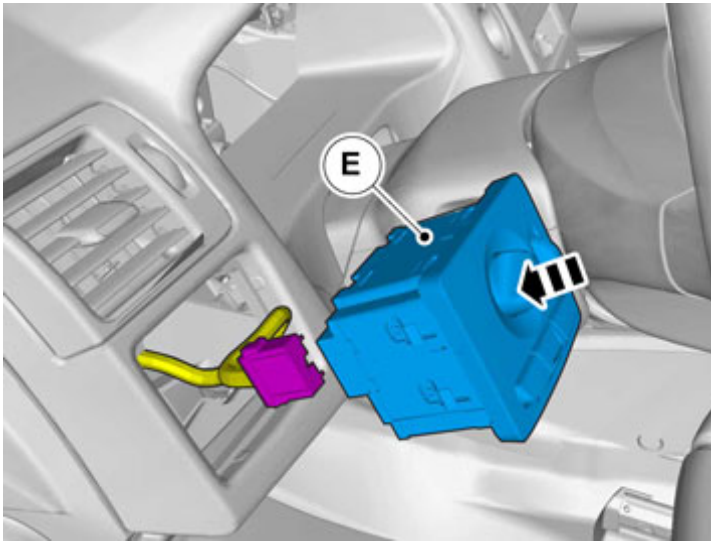
Disconnect the connector.



IMG-328425

## Installation

6



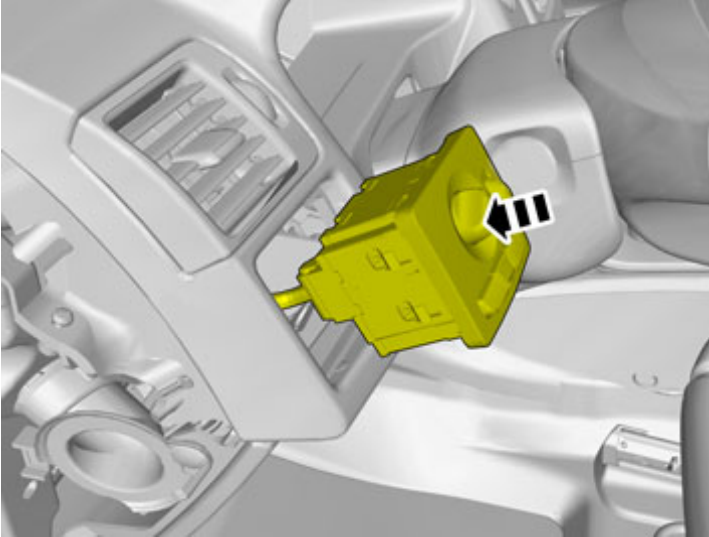
IMG-328426



# Installation instructions, accessories

Volvo Car Corporation Gothenburg, Sweden

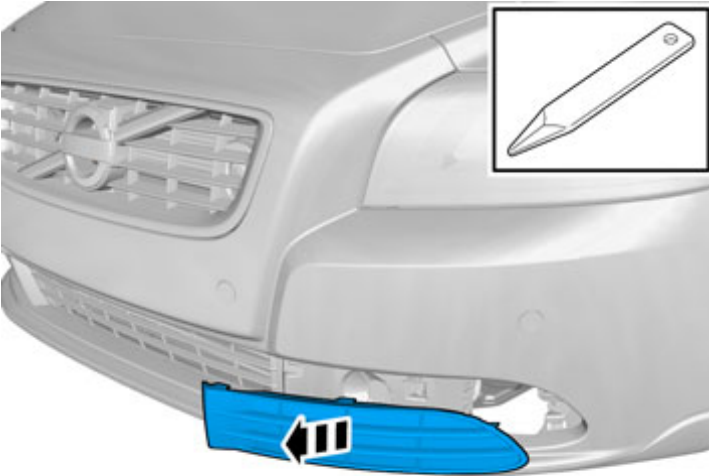
7



IMG-328428

## Removal

8



IMG-349235

Remove the panel.



# Installation instructions, accessories

Volvo Car Corporation Gothenburg, Sweden

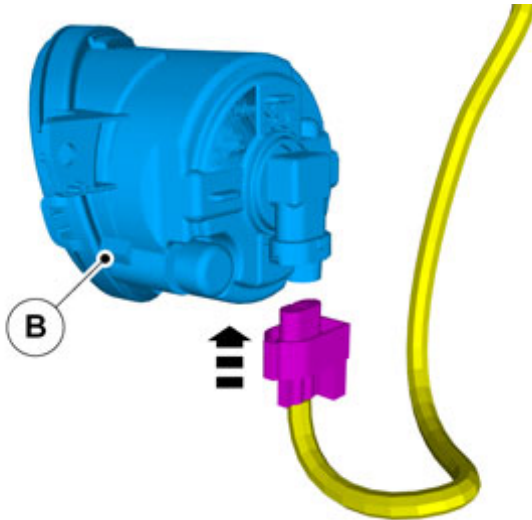
9



IMG-349214

Locate the pre-routed connector.

10



IMG-328435

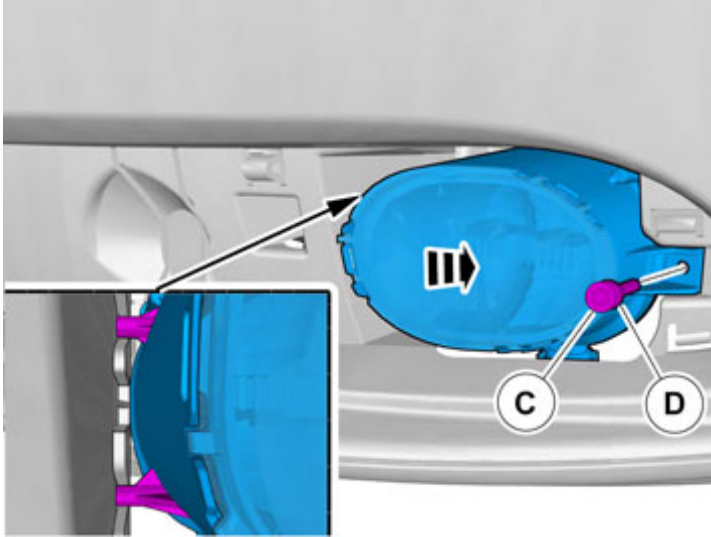
Connect the connector.



# Installation instructions, accessories

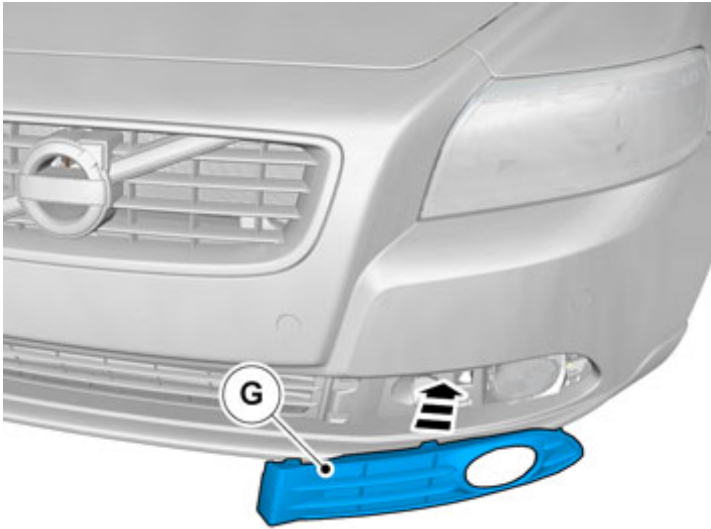
Volvo Car Corporation Gothenburg, Sweden

11



IMG-349246

12



IMG-349213

Reinstall the removed parts in reverse order.

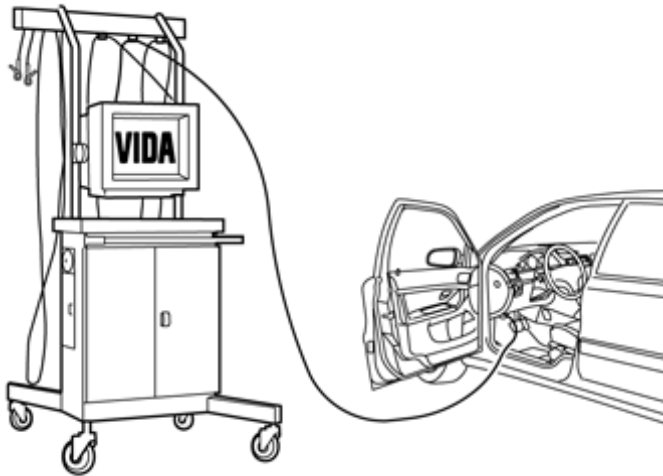




# Installation instructions, accessories

Volvo Car Corporation Gothenburg, Sweden

13



IMG-242268

Download software (application) for the accessory's function according to the service information in VIDA. See VIDA or the accessories catalogue for software part number.