



# Installation instructions, accessories

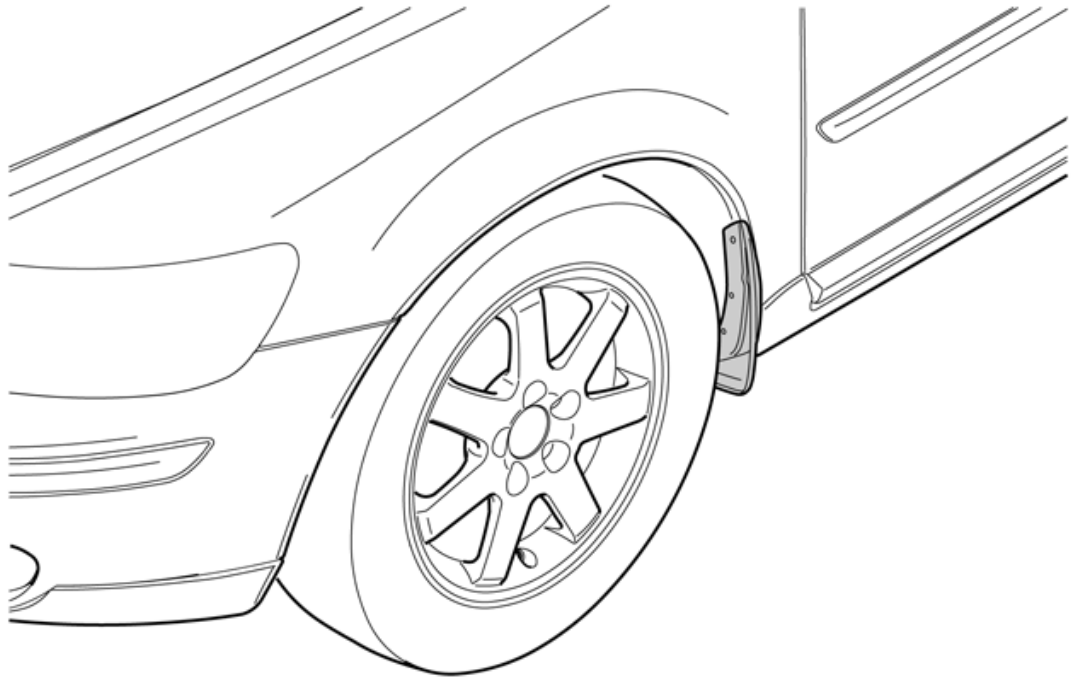
Volvo Car Corporation Gothenburg, Sweden

**Instruction No**  
30796656

**Version**  
1.2

**Part. No.**  
30764294

## Mudflaps, front



IMG-260643



# Installation instructions, accessories

Volvo Car Corporation Gothenburg, Sweden

## Equipment



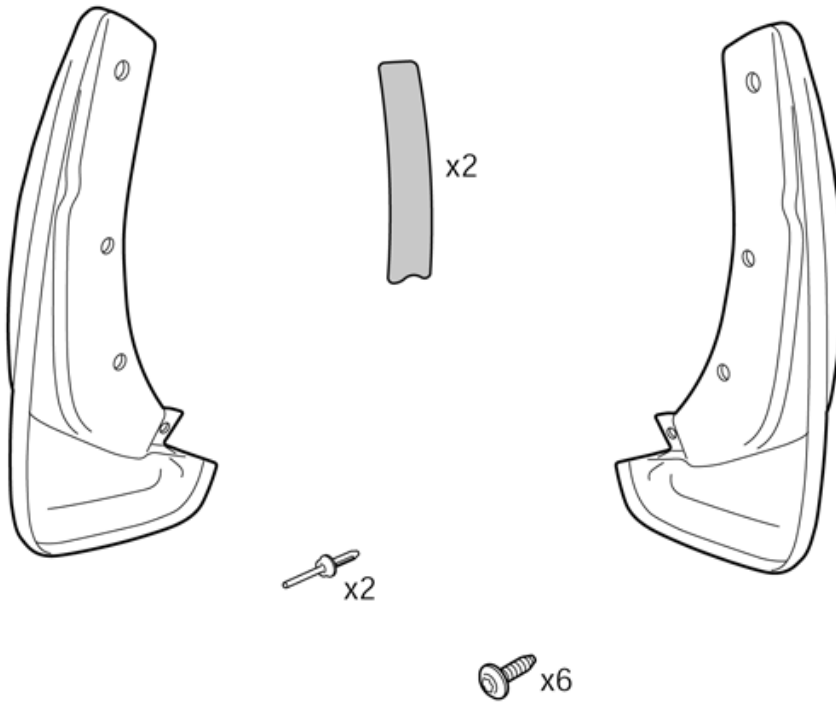
A0000162



IMG-239660



IMG-239940



IMG-260642



# Installation instructions, accessories

Volvo Car Corporation Gothenburg, Sweden

Any comments on this publication? Please contact your nearest retailer. Thank You!

Publ.no:	Issue:	Kit no:
Comments:.....		
.....		
.....		
.....		

From:	
Address:	
Telephone:	
Telefax:	

IMG-213320



# Installation instructions, accessories

Volvo Car Corporation Gothenburg, Sweden

## INTRODUCTION

Read through all of the instructions before starting installation.

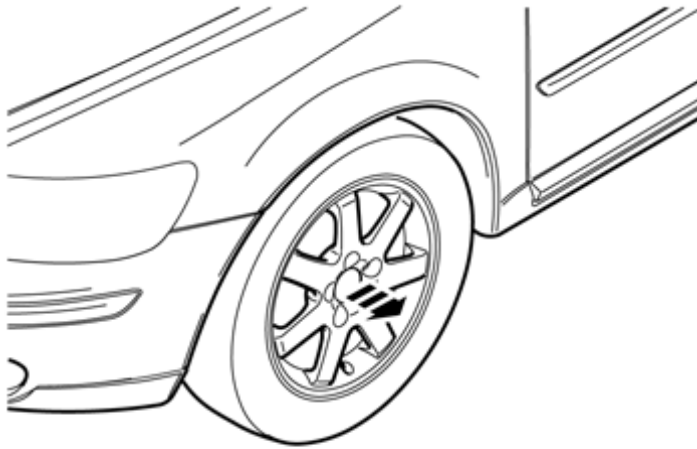
Notifications and warning texts are for your safety and to minimise the risk of something breaking during installation.

Ensure that all tools stated in the instructions are available before starting installation.

Certain steps in the instructions are only presented in the form of images. Explanatory text is also given for more complicated steps.

In the event of any problems with the instructions or the accessory, contact your local Volvo dealer.

1



Remove the front wheels.

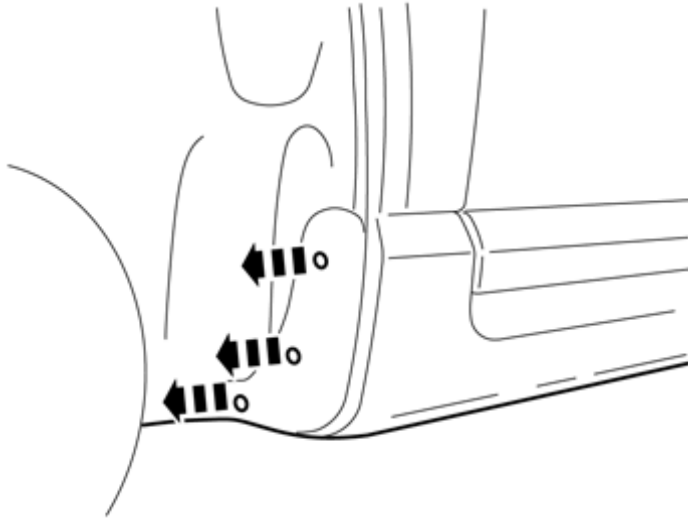
IMG-260635



# Installation instructions, accessories

Volvo Car Corporation Gothenburg, Sweden

2A



IMG-260634

## Illustration A

Remove the three screws at the rear edge of the wheel arch.

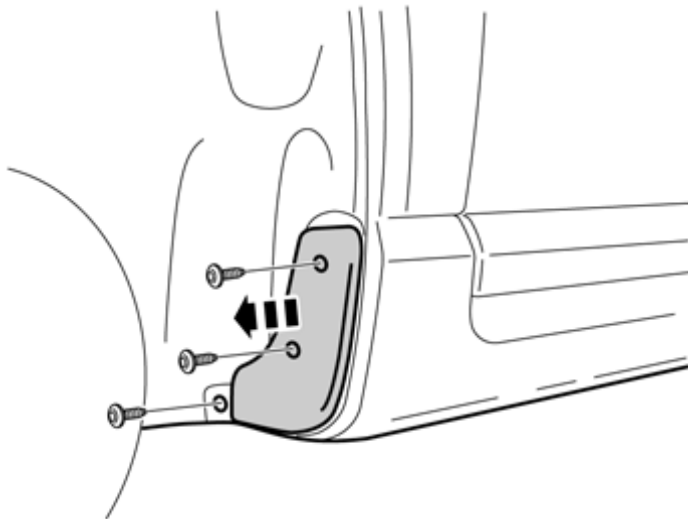
## Illustration B

**Applies to cars with painted door sill panels**

Remove the three screws at the rear edge of the wheel arch.

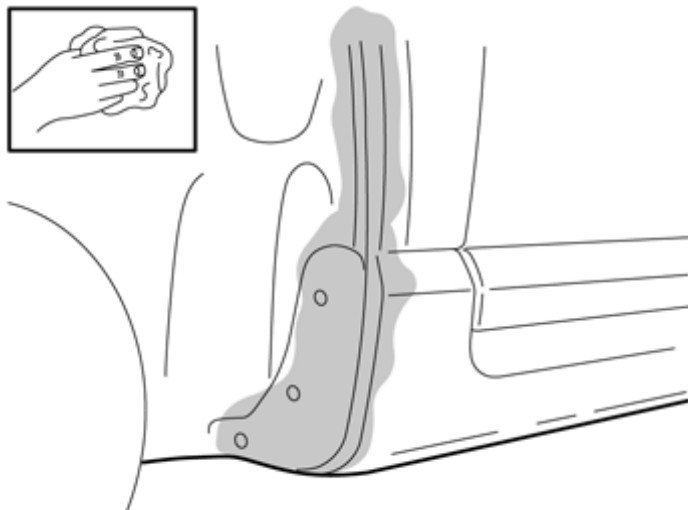
Remove the stone-chip protection. It shall not be re-used.

2B



IMG-264343

3



IMG-260640

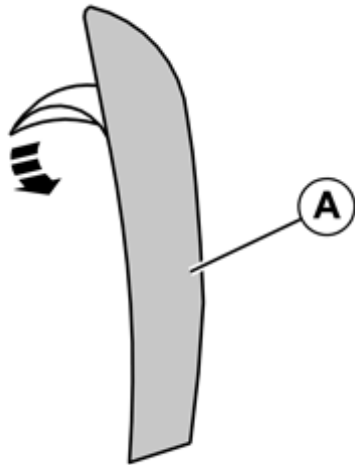
Clean as illustrated.



# Installation instructions, accessories

Volvo Car Corporation Gothenburg, Sweden

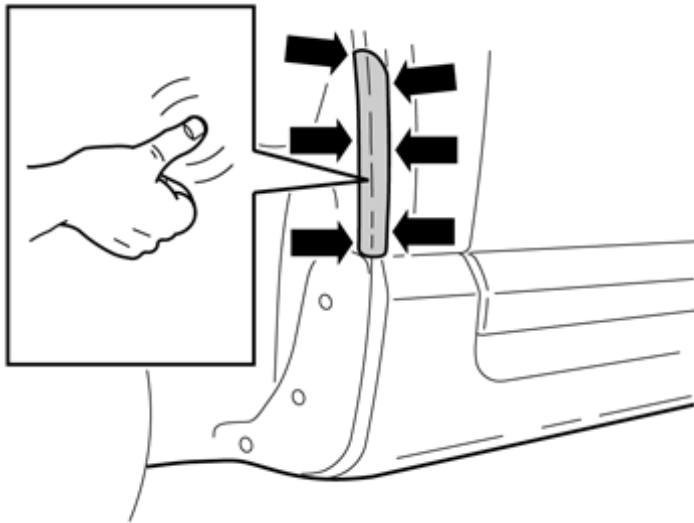
4



Remove the backing paper from the tape (A).

IMG-221680

5



Position as illustrated.

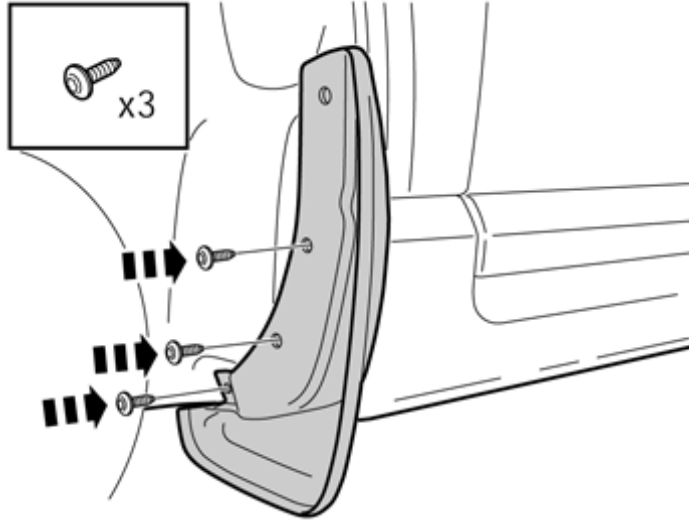
IMG-260641



# Installation instructions, accessories

Volvo Car Corporation Gothenburg, Sweden

6



IMG-260636

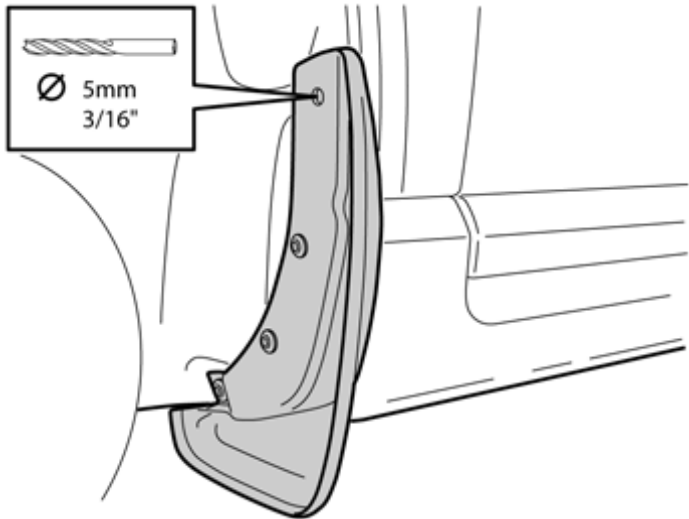
## Install:

the mudflap

the new screws.

Tighten the screws.

7



IMG-260637

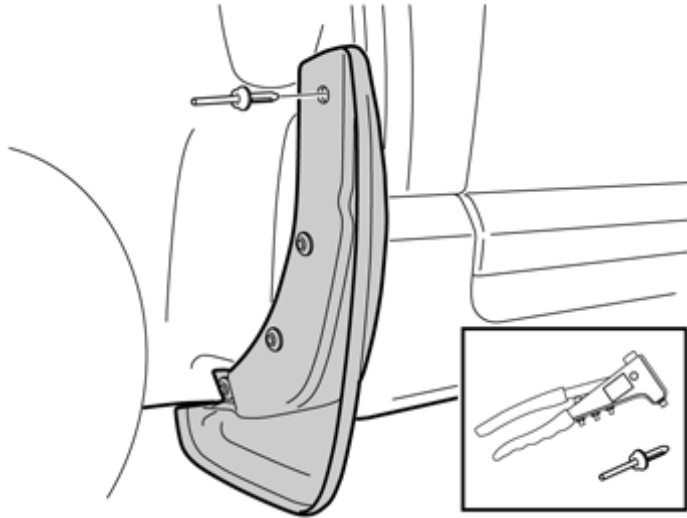
Drill a new 5 mm (3/16) hole at the marking.



# Installation instructions, accessories

Volvo Car Corporation Gothenburg, Sweden

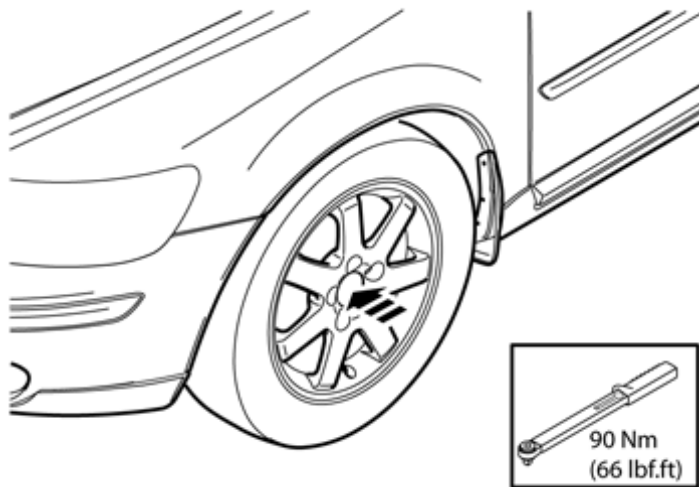
8



IMG-260638

Secure the pop rivet.

9



IMG-260639

Install the front wheel.

Tighten to the correct torque.