



Installation instructions, accessories

Volvo Car Corporation Gothenburg, Sweden

Instruction No
31659083

Version
1.0

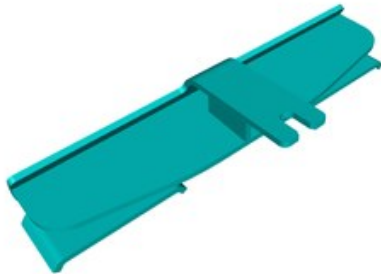
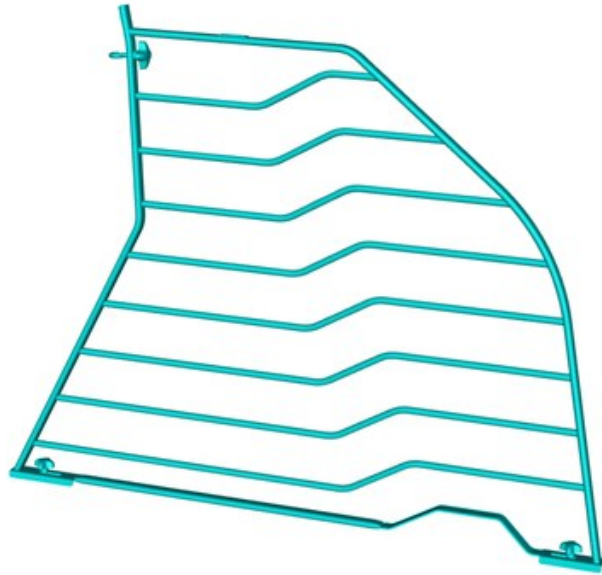
Part. No.
32149834

Load compartment divider, longitudinal



Installation instructions, accessories

Volvo Car Corporation Gothenburg, Sweden



IMG-471527



Installation instructions, accessories

Volvo Car Corporation Gothenburg, Sweden

Information

1

Read through all of the instructions before starting installation.

Notifications and warning texts are for your safety and to minimise the risk of something breaking during installation.

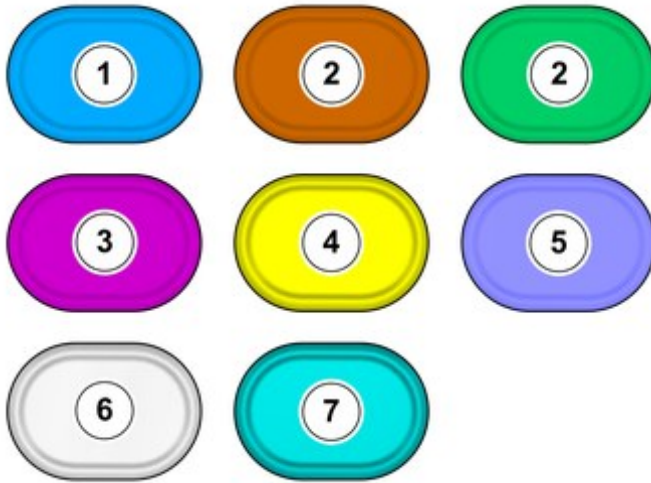
Ensure that all tools stated in the instructions are available before starting installation.

Certain steps in the instructions are only presented in the form of images. Explanatory text is also given for more complicated steps.

In the event of any problems with the instructions or the accessory, contact your local Volvo dealer.

Color symbols

2



IMG-400010

Note!

This colour chart displays (in colour print and electronic version) the importance of the different colours used in the images of the method steps.

1. Used for focused component, the component with which you will do something.
2. Used as extra colors when you need to show or differentiate additional parts.
3. Used for attachments that are to be removed/installed. May be screws, clips, connectors, etc.
4. Used when the component is not fully removed from the vehicle but only hung to the side.
5. Used for standard tools and special tools.
6. Used as background color for vehicle components.
7. Used for accessory components.

Removal



Installation instructions, accessories

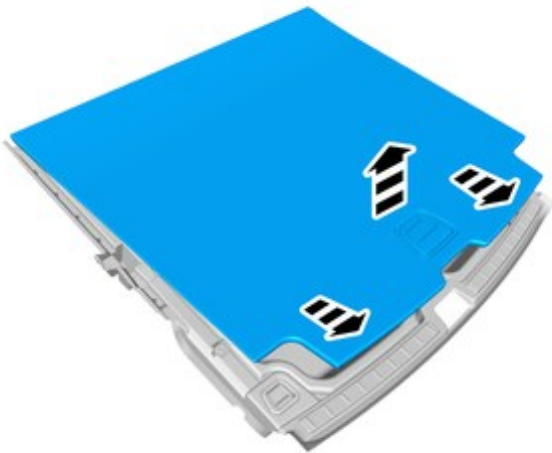
Volvo Car Corporation Gothenburg, Sweden

3



IMG-420155

4



IMG-471471

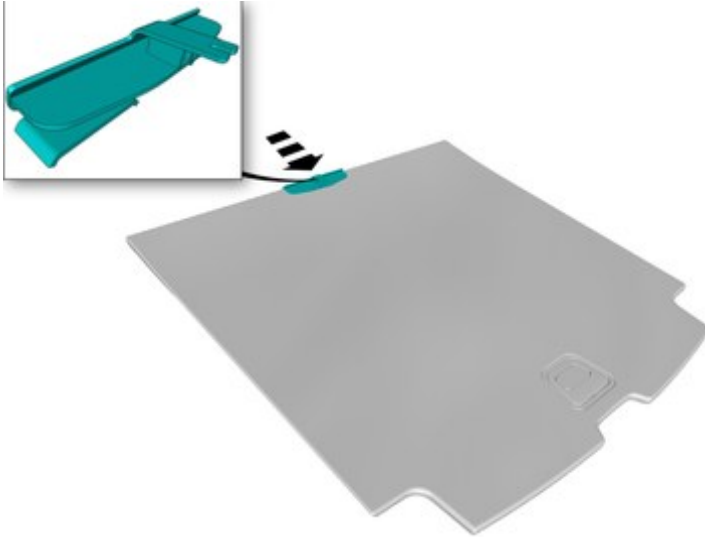
Accessory installation



Installation instructions, accessories

Volvo Car Corporation Gothenburg, Sweden

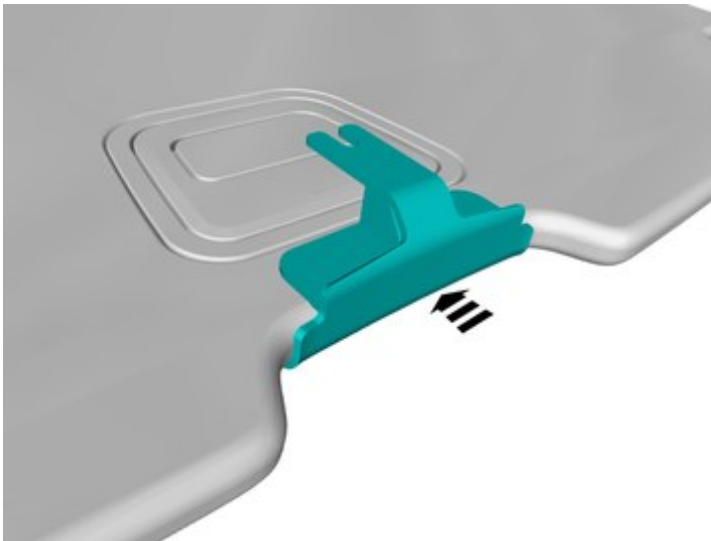
5



IMG-471472

Install component that comes with the accessory kit.

6



IMG-471473

Note!
Make sure that the component is centred.

Install component that comes with the accessory kit.

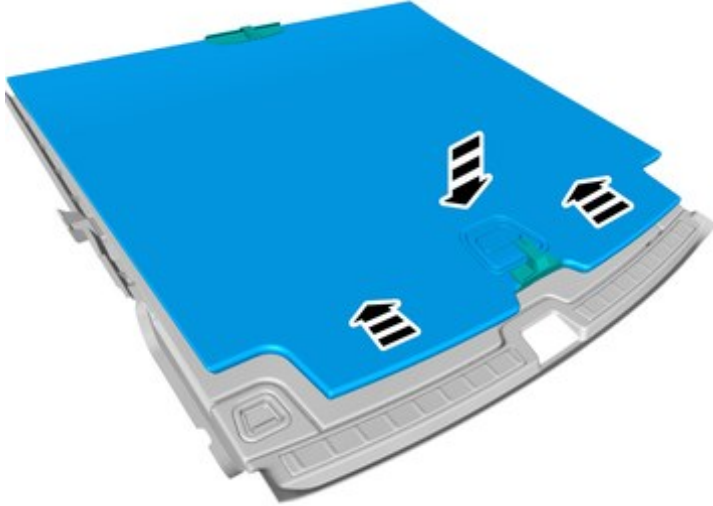


Installation instructions, accessories

Volvo Car Corporation Gothenburg, Sweden

7

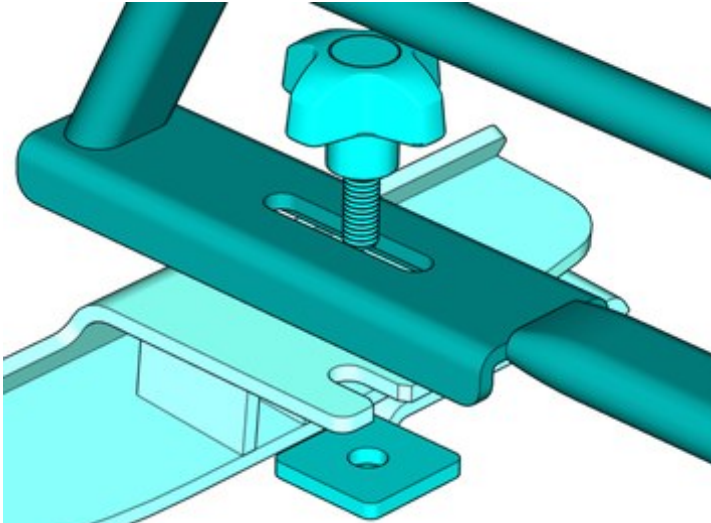
Reinstall the removed part.



IMG-471474

8

Note!
Orientation view



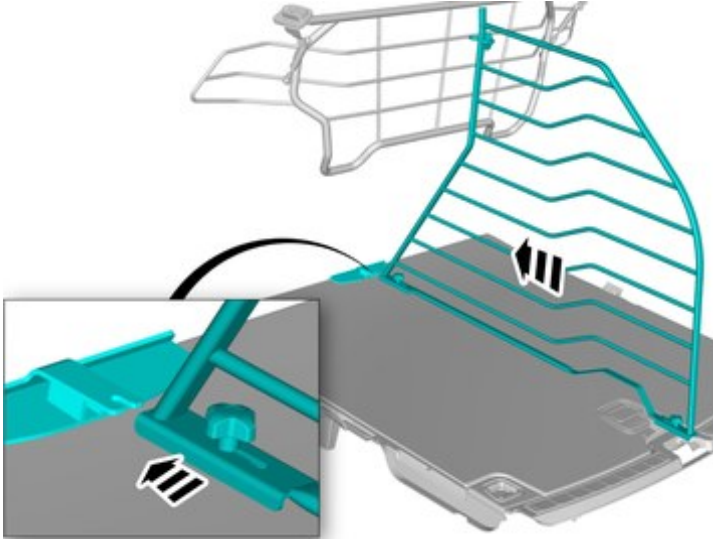
IMG-471520



Installation instructions, accessories

Volvo Car Corporation Gothenburg, Sweden

9



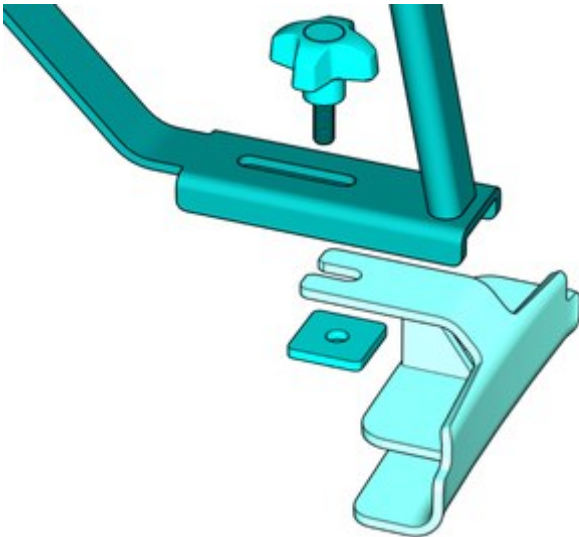
IMG-471501

Note!

Do not fully tighten the bolt.

Install component that comes with the accessory kit.

10



IMG-471522

Note!

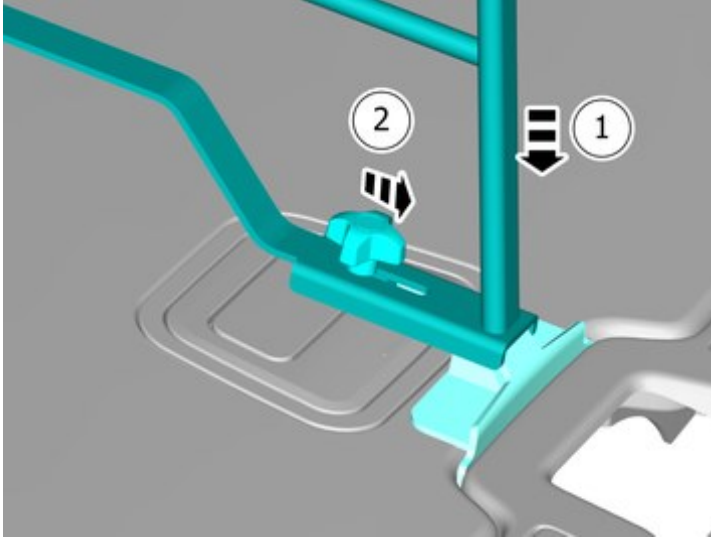
Orientation view



Installation instructions, accessories

Volvo Car Corporation Gothenburg, Sweden

11

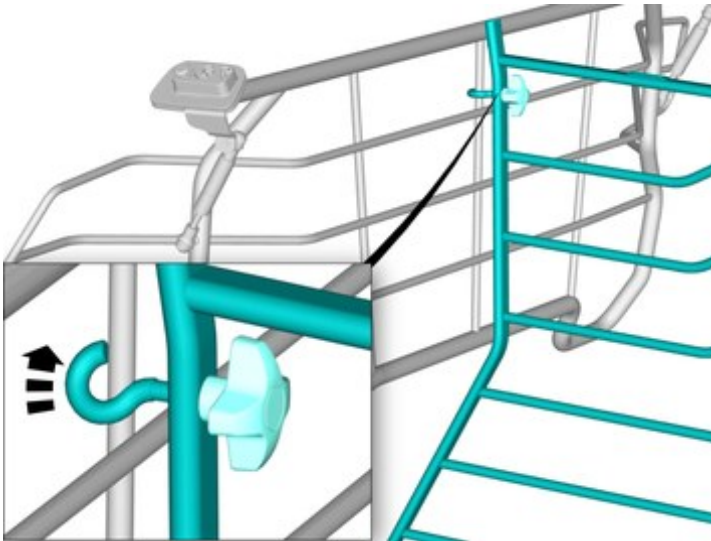


IMG-471523

Note!

Do not fully tighten the bolt.

12



IMG-473335

Install the hook.

Tighten the nut.

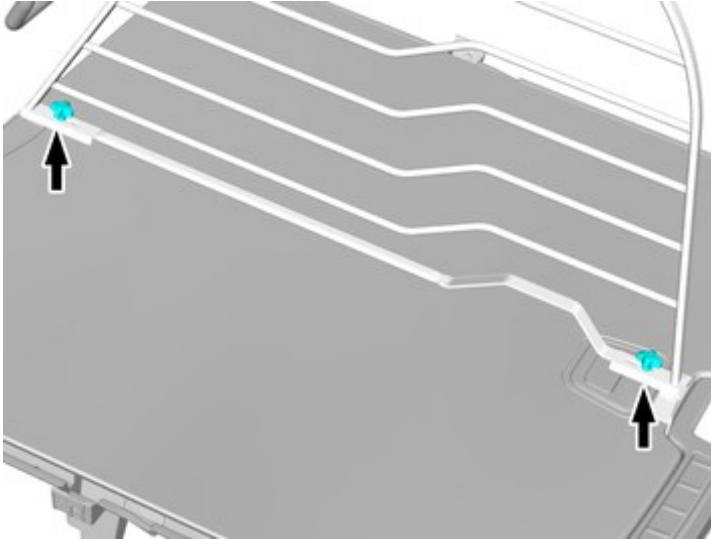
Use hands only.



Installation instructions, accessories

Volvo Car Corporation Gothenburg, Sweden

13



IMG-471525

Tighten the bolts.

Use hands only.