

Installation instructions, accessories

Volvo Car Corporation Gothenburg, Sweden

Instruction No	Version	Part. No.
31428872	1.4	40002504, 40000922, 40000918, 40000970, 40000966, 40000962, 40000958, 40000954, 40000950, 40000946, 40000942, 40000938, 40000934, 40000930, 40000926, 40002500, 40000974

Side decor

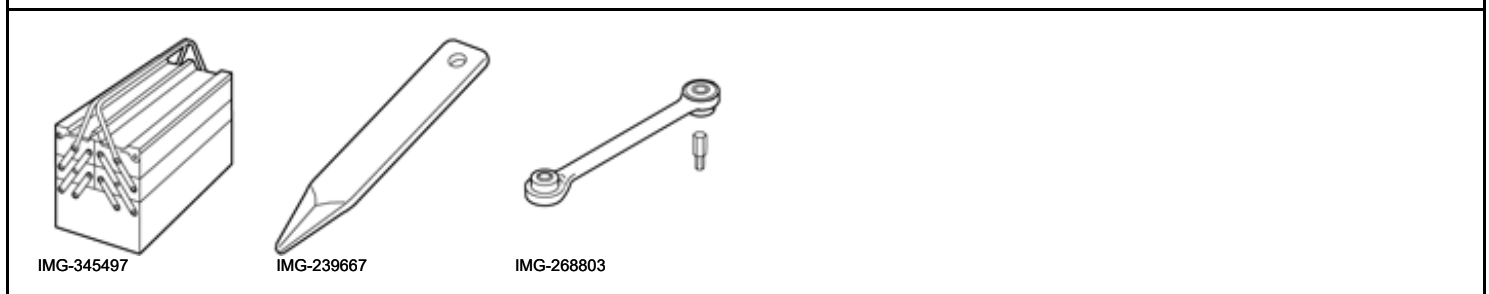
Special tools

	999 7390 Key Tool number:999 7390 Tool description:Key Tool boards:80
	999 5919 PULLER (SEAL-PINION,CAM-CRANKSHAFT)B200-6304 Tool number:999 5919 Tool description:PULLER (SEAL-PINION,CAM-CRANKSHAFT)B200-6304 Tool boards:46

Materials

Designation	Part number
Primer	1161727
Tape	

Equipment



Installation instructions, accessories

Volvo Car Corporation Gothenburg, Sweden



IMG-408470

Installation instructions, accessories

Volvo Car Corporation Gothenburg, Sweden

Information

1

Read through all of the instructions before starting installation.

Notifications and warning texts are for your safety and to minimise the risk of something breaking during installation.

Ensure that all tools stated in the instructions are available before starting installation.

Certain steps in the instructions are only presented in the form of images. Explanatory text is also given for more complicated steps.

In the event of any problems with the instructions or the accessory, contact your local Volvo dealer.

Further information

2



After installation, the car must not be washed for 48 hours

When installing, the car must retain a temperature of 20 degrees C.

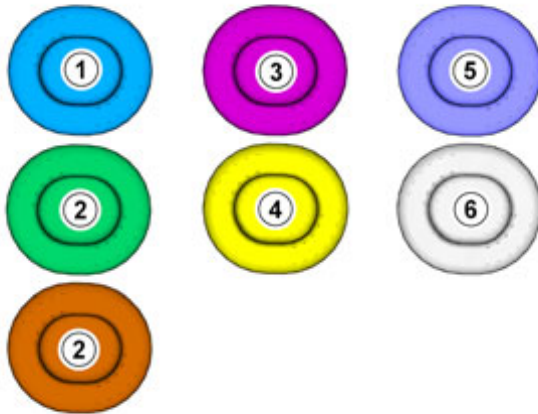
IMG-400007

Color symbols

Installation instructions, accessories

Volvo Car Corporation Gothenburg, Sweden

3



IMG-363036

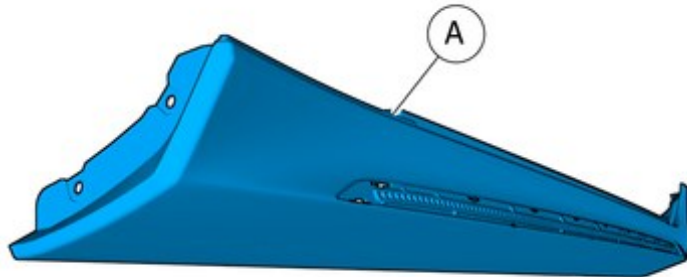
Note!

This colour chart displays (in colour print and electronic version) the importance of the different colours used in the images of the method steps.

1. Used for focused component, the component with which you will do something.
2. Used as extra colors when you need to show or differentiate additional parts.
3. Used for attachments that are to be removed/installed. May be screws, clips, connectors, etc.
4. Used when the component is not fully removed from the vehicle but only hung to the side.
5. Used for standard tools and special tools.
6. Used as background color for vehicle components.

Applies to unpainted component

4

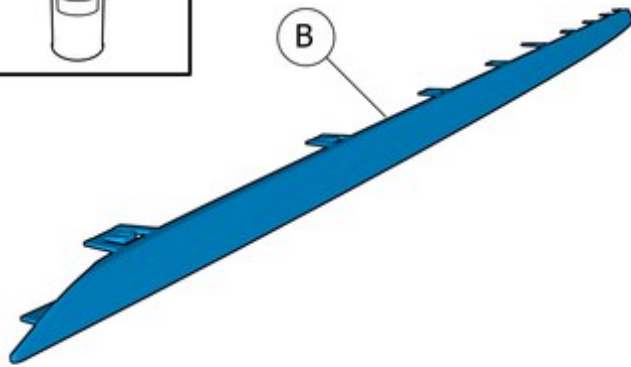


IMG-408465

Installation instructions, accessories

Volvo Car Corporation Gothenburg, Sweden

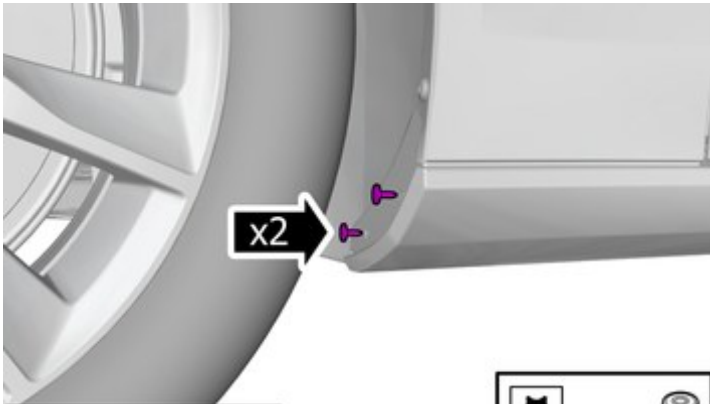
5



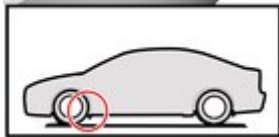
IMG-416196

Removal

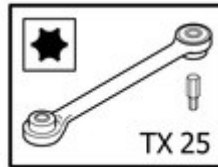
6



Remove the screws.



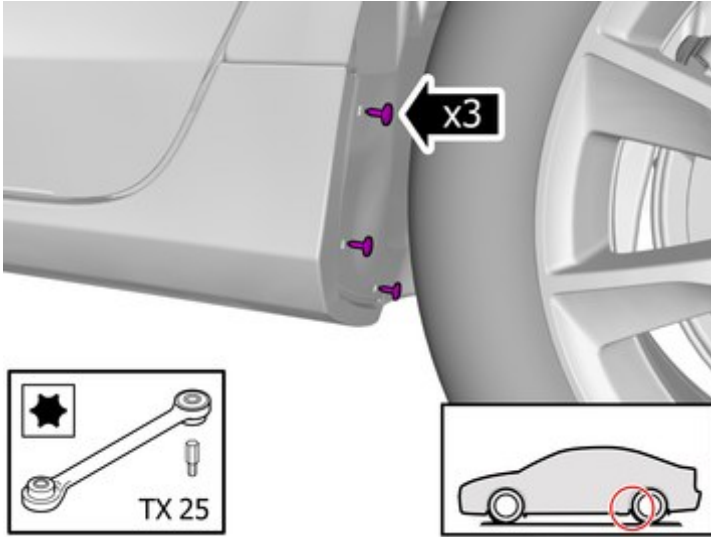
IMG-408300



Installation instructions, accessories

Volvo Car Corporation Gothenburg, Sweden

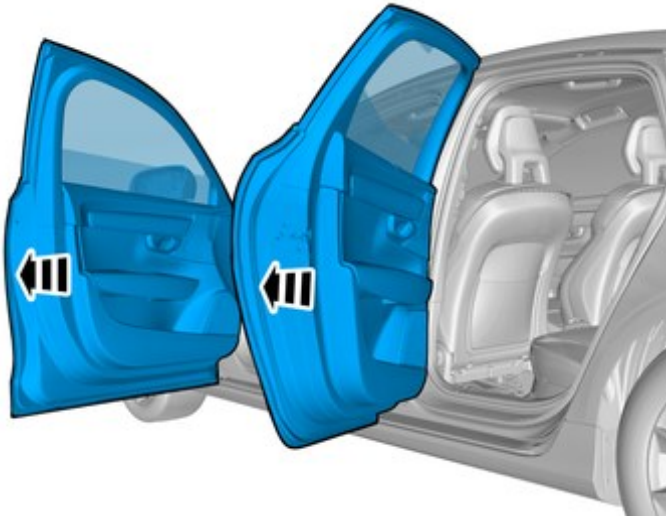
7



IMG-408302

Remove the screws.

8



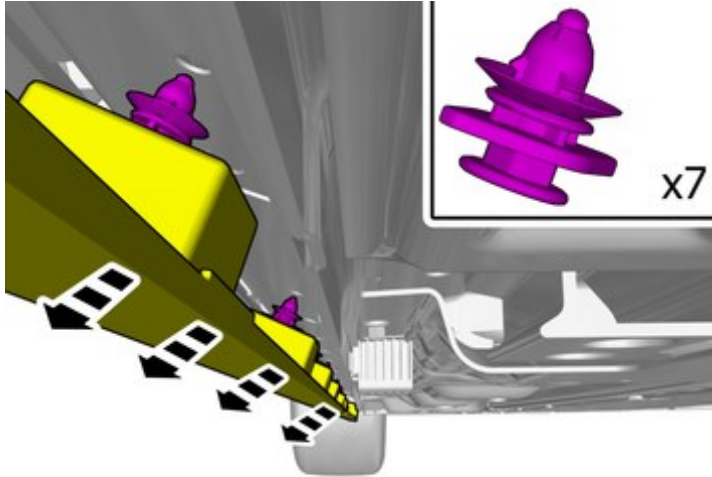
IMG-408335

Open doors.

Installation instructions, accessories

Volvo Car Corporation Gothenburg, Sweden

9

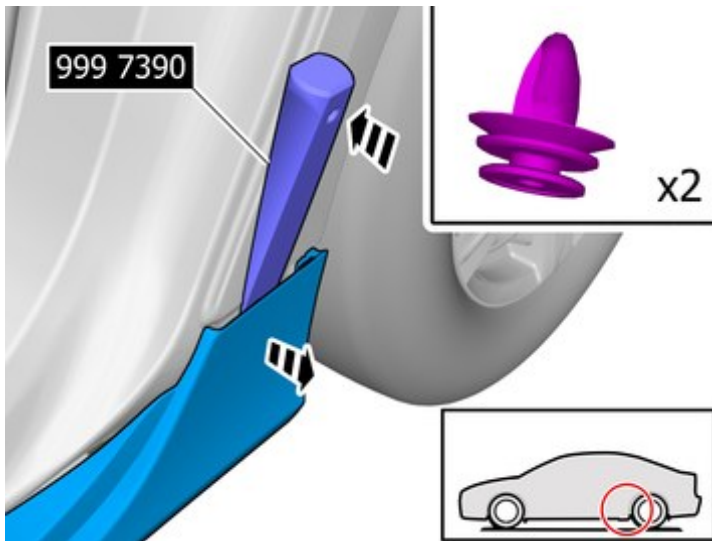


IMG-408330

Note!
The clips consist of two parts.

Loosen the clips.

10



IMG-408346

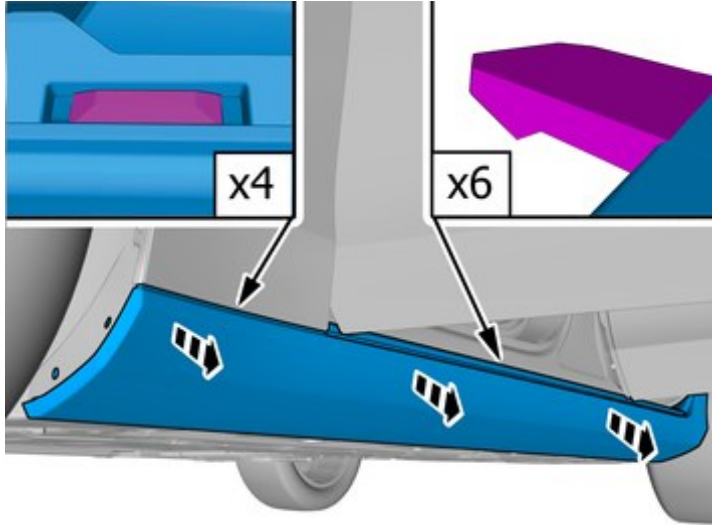
Loosen the clips.

Use special tool: T9997390, Key

Installation instructions, accessories

Volvo Car Corporation Gothenburg, Sweden

11

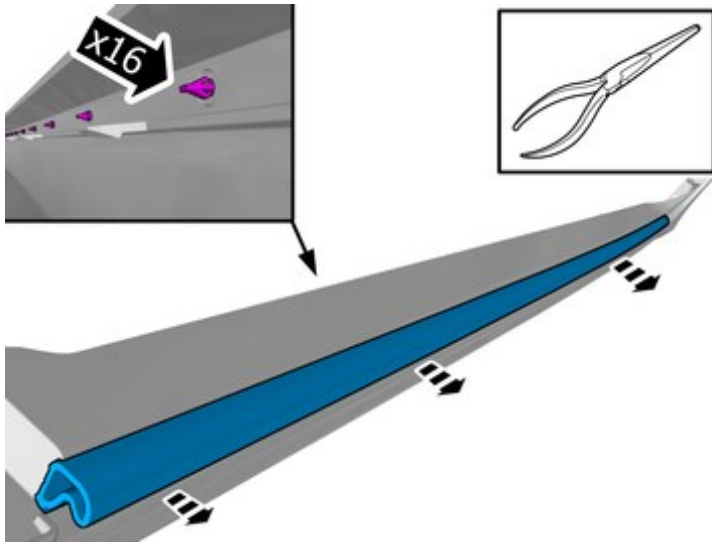


IMG-408435

Loosen the clips.

Remove the marked part.

12



IMG-408455

Caution!

The part is to be reused.

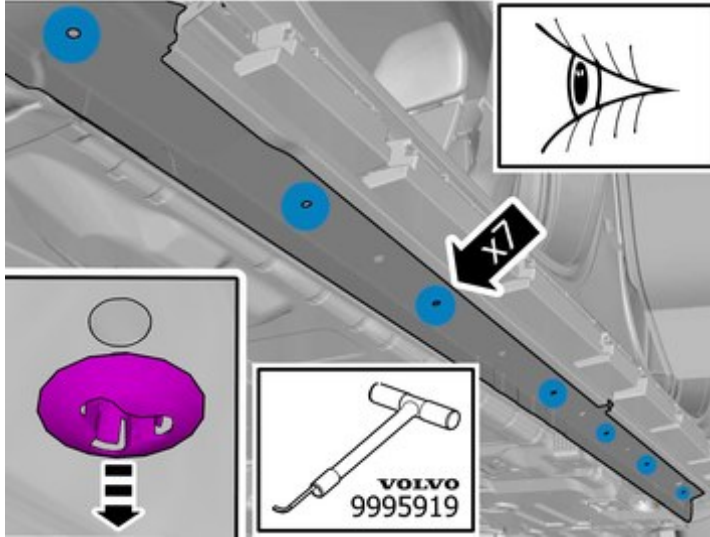
Loosen the clips.

Remove the marked part.

Installation instructions, accessories

Volvo Car Corporation Gothenburg, Sweden

13



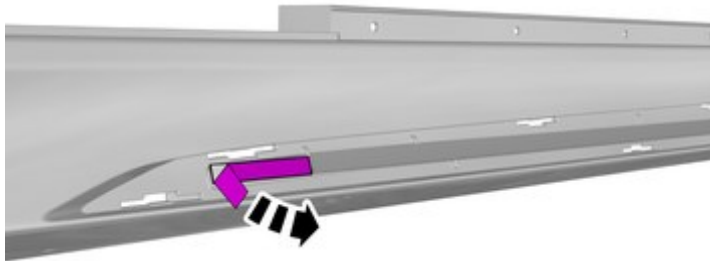
Note!

Make sure that the mating faces are clean and free of foreign material.

Use special tool: T9995919, PULLER (SEAL-PINION,CAM-CRANKSHAFT)B200-6304

Accessory installation

14



IMG-463189

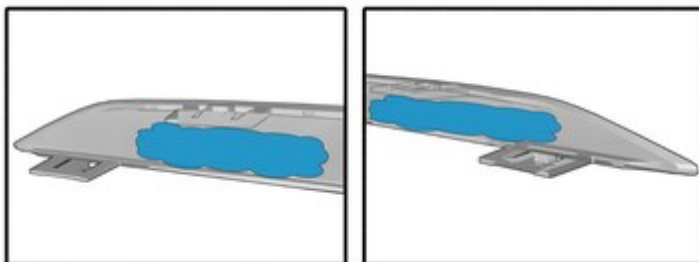
Remove the protective film.

Repeat on the other side.

Installation instructions, accessories

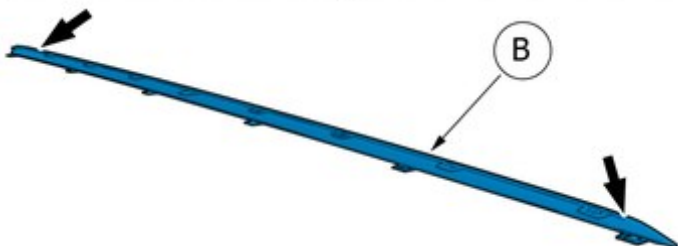
Volvo Car Corporation Gothenburg, Sweden

15



Apply a thin layer of primer.

Use: 1161727, Primer



IMG-463217

16

Center the component using the middle control clip.

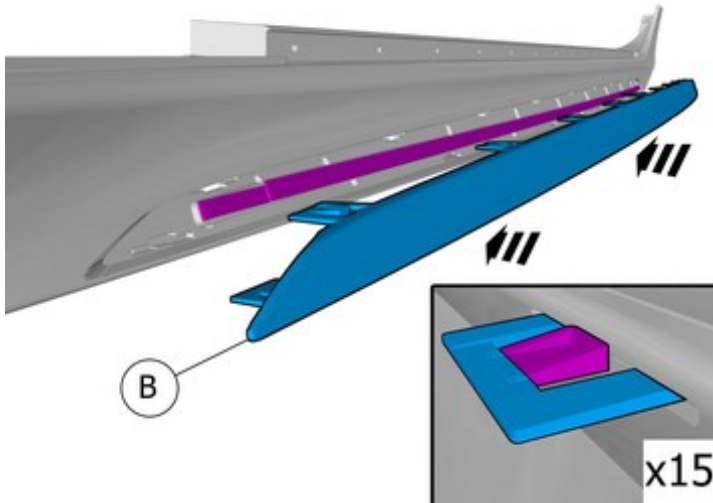


IMG-464810

Installation instructions, accessories

Volvo Car Corporation Gothenburg, Sweden

17

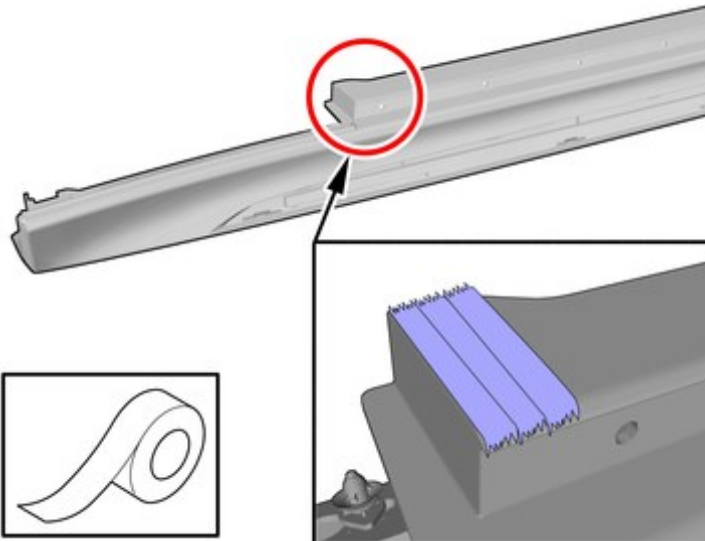


IMG-416195

Attach the component from the middle and outwards.

Ensure that all clips engage.

18



IMG-413213

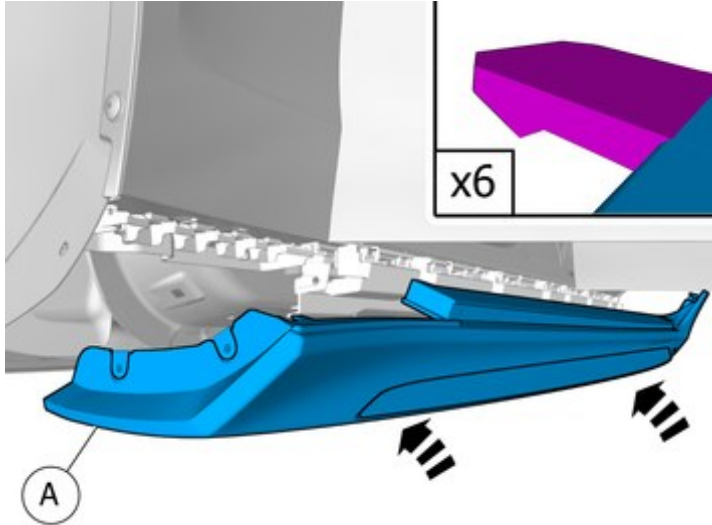
Caution!
Use suitable tape to protect the components.

Use: , Tape

Installation instructions, accessories

Volvo Car Corporation Gothenburg, Sweden

19



IMG-408520

Caution!

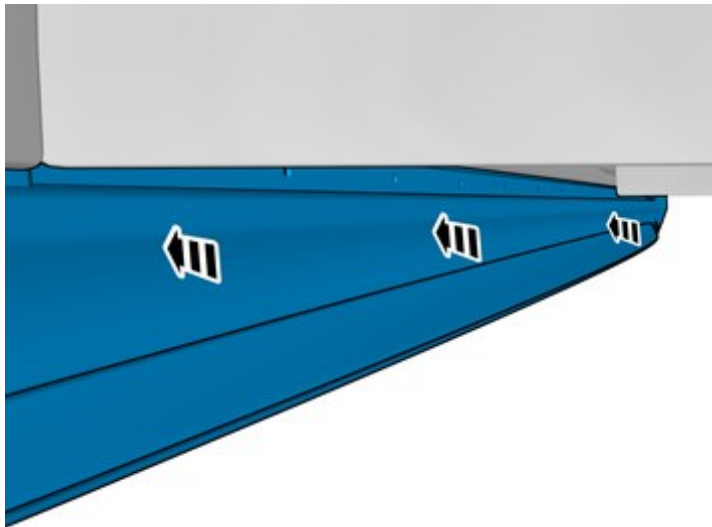
Make sure not to damage painted surfaces.

Note!

Note the position.

Install component that comes with the accessory kit.

20



IMG-408525

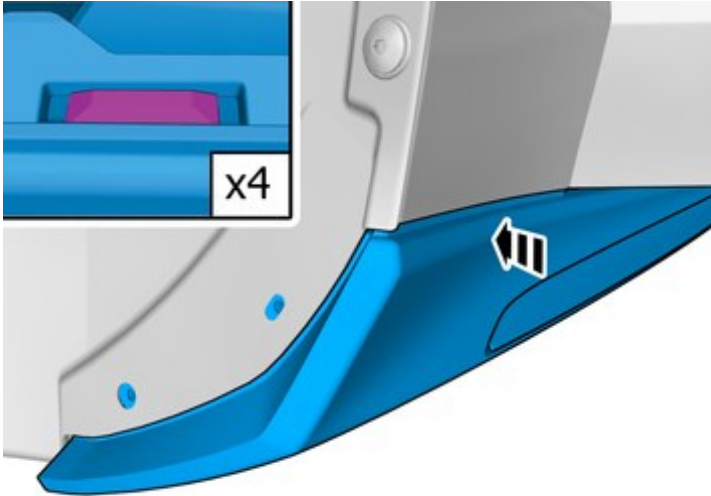
Press until a click is heard.

Ensure that all clips engage.

Installation instructions, accessories

Volvo Car Corporation Gothenburg, Sweden

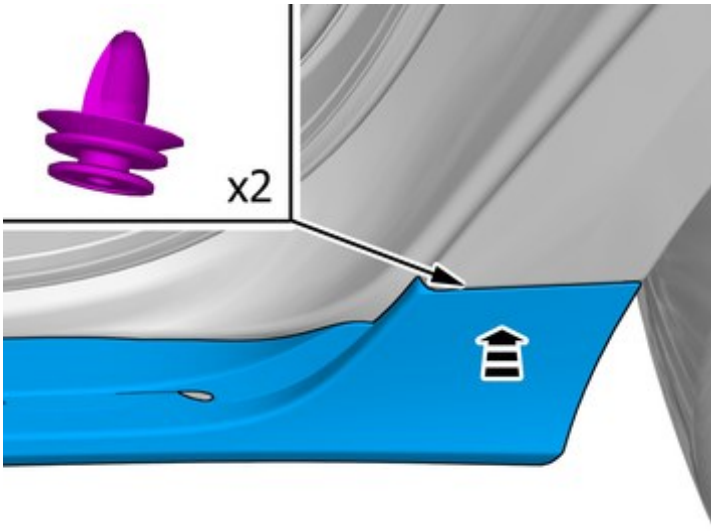
21



IMG-408542

Press until a click is heard.
Ensure that all clips engage.

22



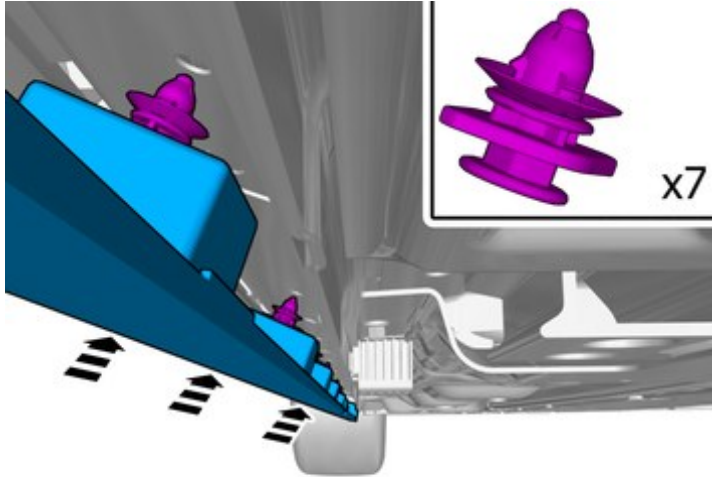
IMG-408620

Press until a click is heard.
Ensure that all clips engage.

Installation instructions, accessories

Volvo Car Corporation Gothenburg, Sweden

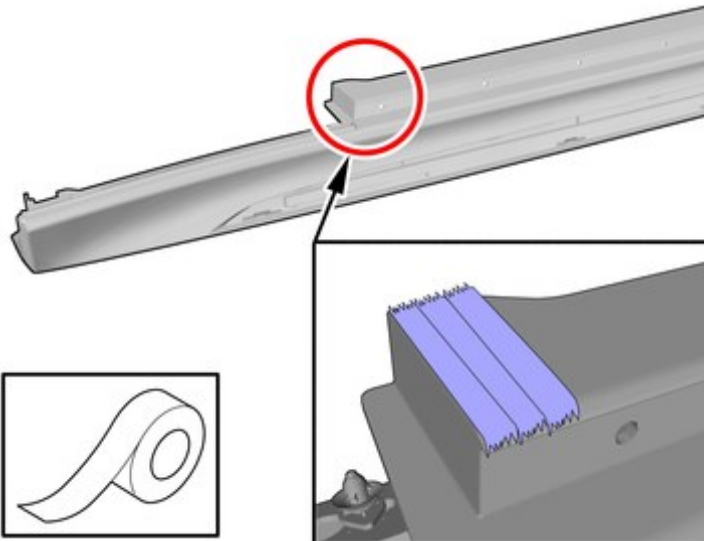
23



Press until a click is heard.
Ensure that all clips engage.

IMG-408635

24



Remove the tape.

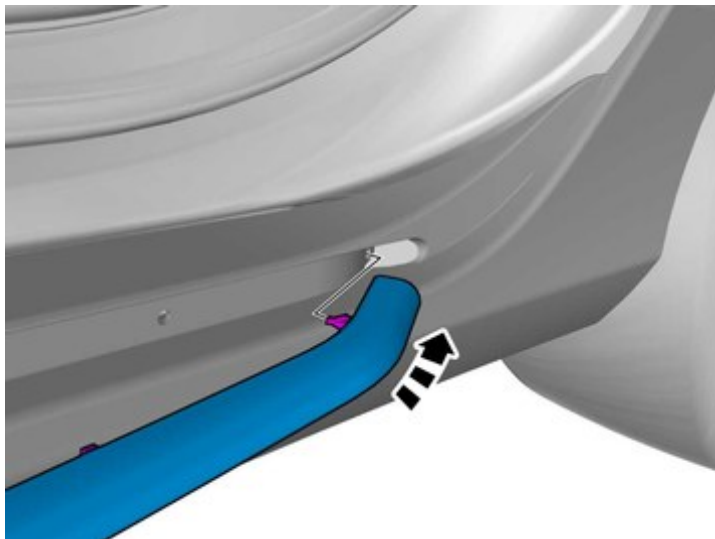
IMG-413213

Installation

Installation instructions, accessories

Volvo Car Corporation Gothenburg, Sweden

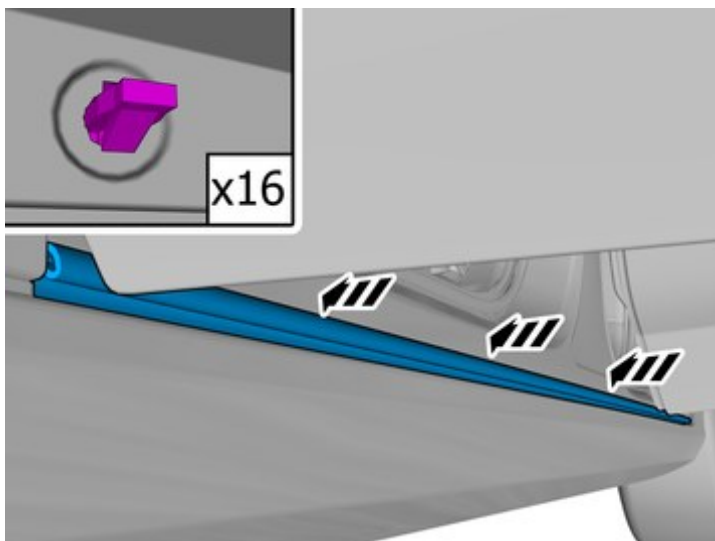
25



IMG-408630

Reinstall the removed part.

26



IMG-408631

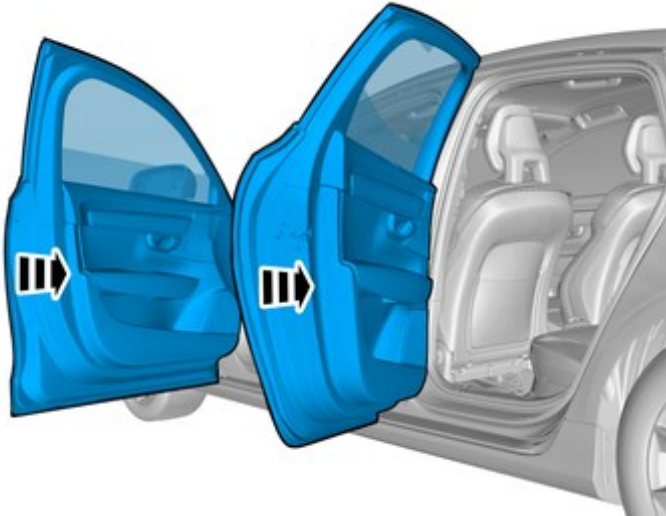
Reinstall the removed part.

Ensure that all clips engage.

Installation instructions, accessories

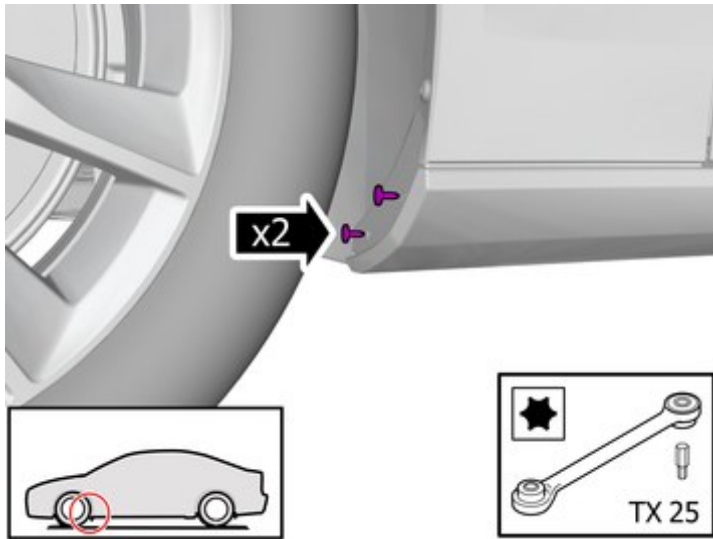
Volvo Car Corporation Gothenburg, Sweden

27



IMG-408632

28



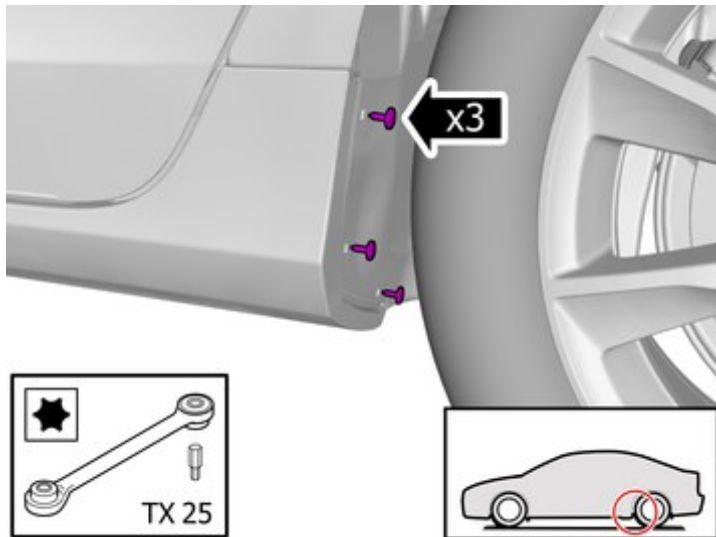
Install the screws.

IMG-408300

Installation instructions, accessories

Volvo Car Corporation Gothenburg, Sweden

29



IMG-408302

Install the screws.

30

Repeat all method steps for the other side.