

Installation instructions, accessories

Volvo Car Corporation Gothenburg, Sweden

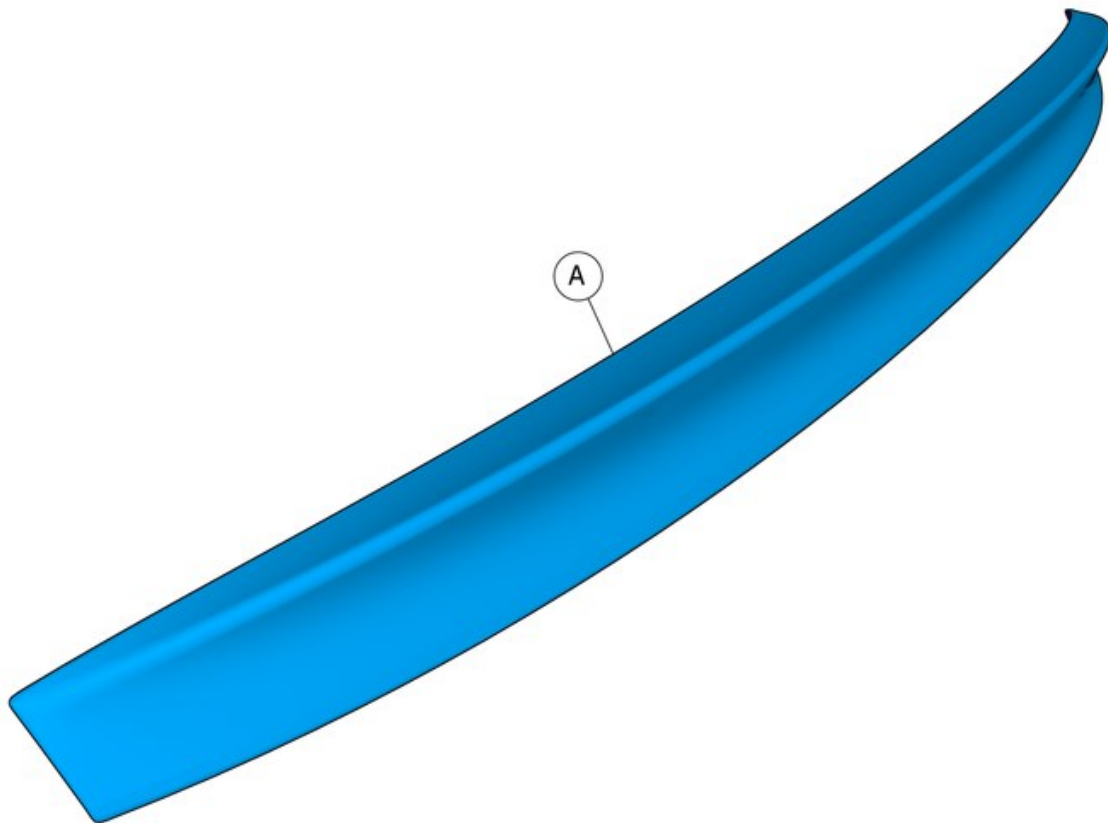
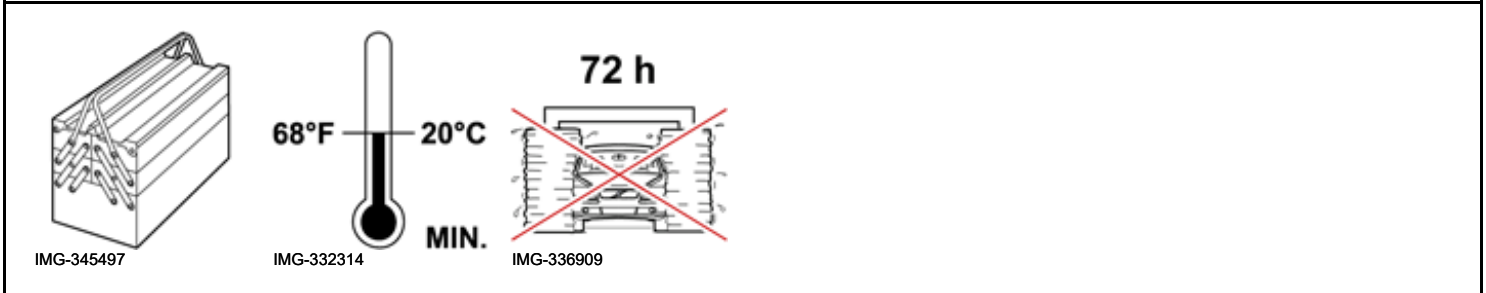
Instruction No	Version	Part. No.
31454292	1.5	39843535, 39843537, 39843539, 39843541, 39843543, 39843547, 39843549, 39843551, 39843553, 39843555, 39843557, 39843559, 39843561, 39843563, 39843565, 39843567

Spoiler, boot lid

Materials

Designation	Part number
Isopropanol	
Glue	8750060

Equipment



IMG-410070

Installation instructions, accessories

Volvo Car Corporation Gothenburg, Sweden

Installation instructions, accessories

Volvo Car Corporation Gothenburg, Sweden

Information

1

Read through all of the instructions before starting installation.

Notifications and warning texts are for your safety and to minimise the risk of something breaking during installation.

Ensure that all tools stated in the instructions are available before starting installation.

Certain steps in the instructions are only presented in the form of images. Explanatory text is also given for more complicated steps.

In the event of any problems with the instructions or the accessory, contact your local Volvo dealer.

Further information

2



IMG-360922

Note!

Make sure that the customer is advised not to wash the vehicle within the next 72 hours.

Note!

Make sure that the mating faces are at a minimum temperature of 20°C.

Note!

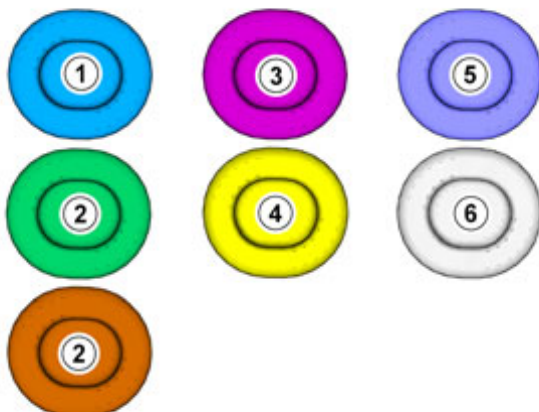
Make sure that the spring is placed correctly to ensure the opening of the trunk lid.

Color symbols

Installation instructions, accessories

Volvo Car Corporation Gothenburg, Sweden

3



IMG-363036

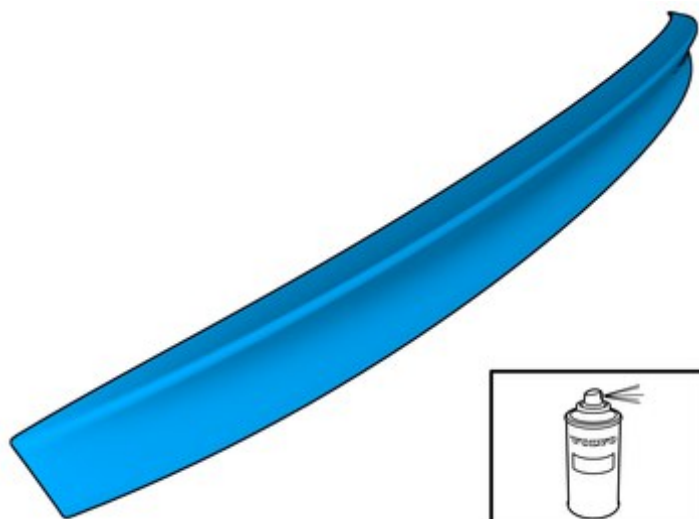
Note!

This colour chart displays (in colour print and electronic version) the importance of the different colours used in the images of the method steps.

1. Used for focused component, the component with which you will do something.
2. Used as extra colors when you need to show or differentiate additional parts.
3. Used for attachments that are to be removed/installed. May be screws, clips, connectors, etc.
4. Used when the component is not fully removed from the vehicle but only hung to the side.
5. Used for standard tools and special tools.
6. Used as background color for vehicle components.

Applies to unpainted component

4



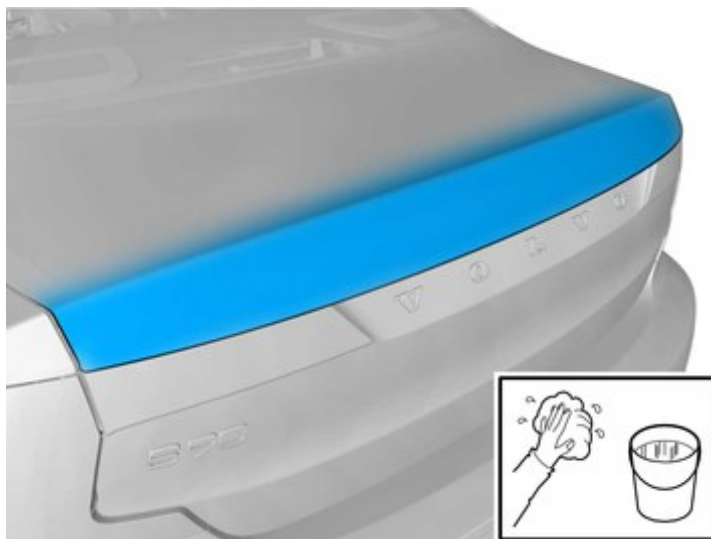
IMG-410287

Preparation

Installation instructions, accessories

Volvo Car Corporation Gothenburg, Sweden

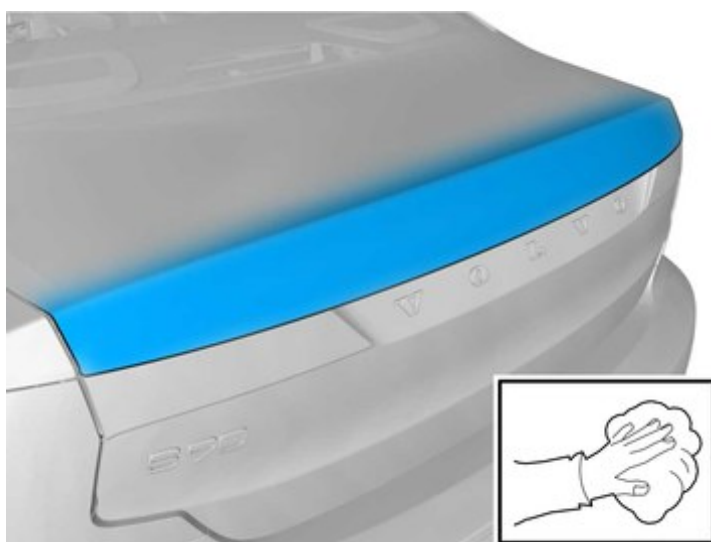
5



IMG-410075

Clean the surface.

6



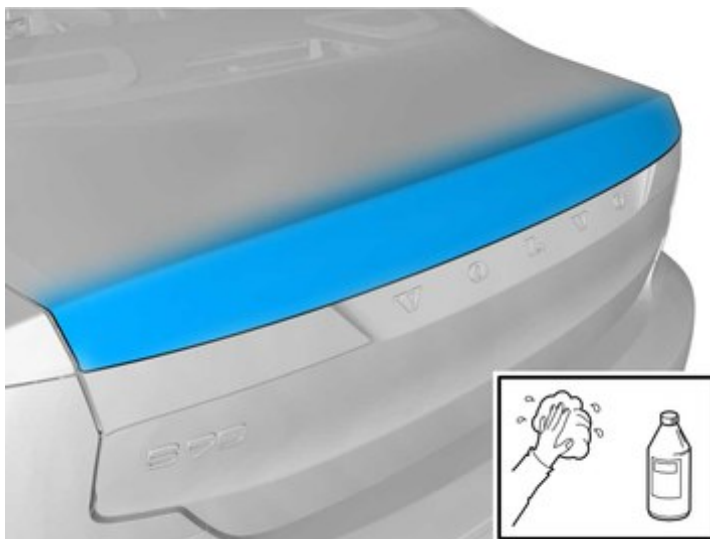
IMG-410096

Wipe dry.

Installation instructions, accessories

Volvo Car Corporation Gothenburg, Sweden

7



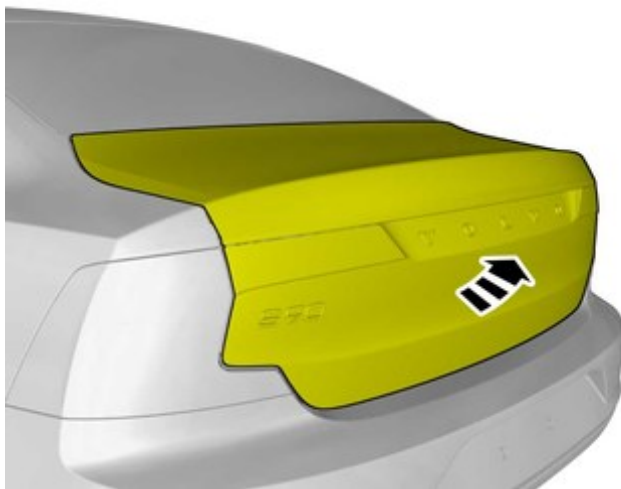
IMG-410097

Use: , Isopropanol

Allow to dry.

Removal

8

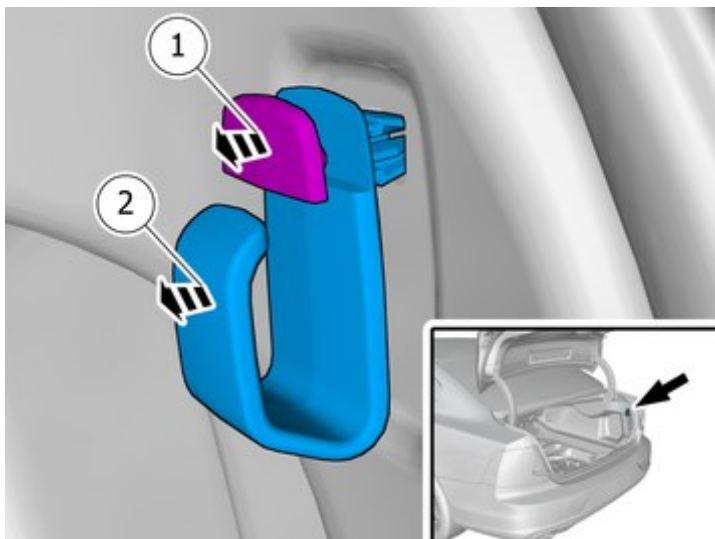


IMG-410210

Installation instructions, accessories

Volvo Car Corporation Gothenburg, Sweden

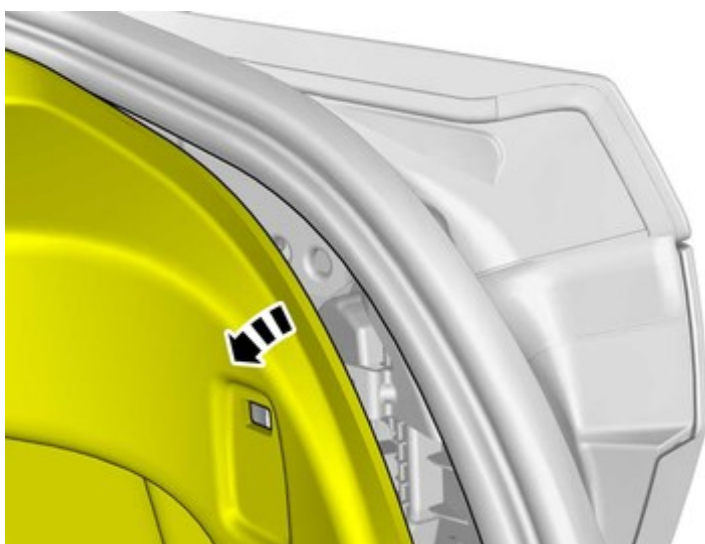
9



IMG-410550

Remove the marked part.

10



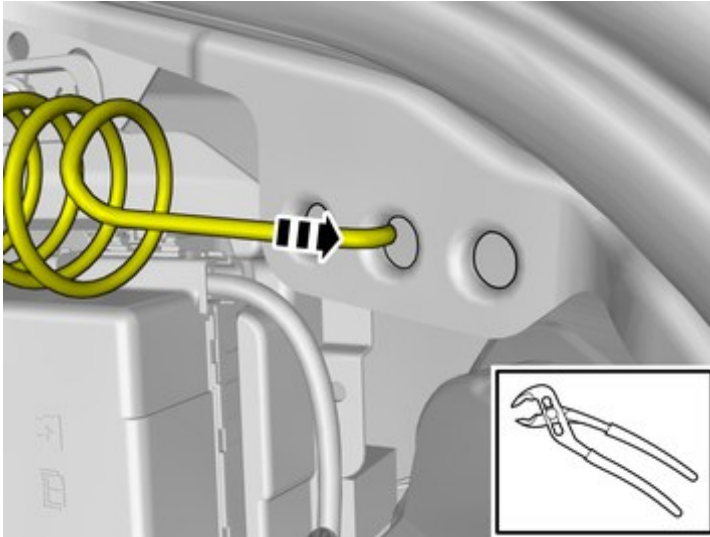
IMG-418065

Fold marked part aside.

Installation instructions, accessories

Volvo Car Corporation Gothenburg, Sweden

11



IMG-418066

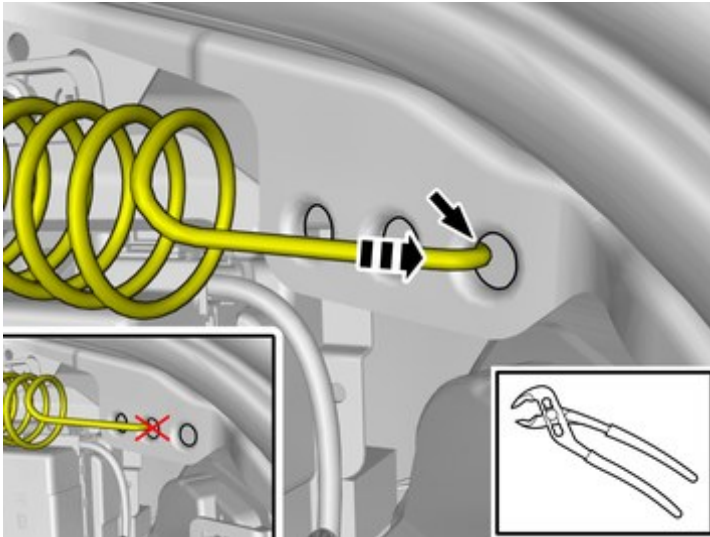
Loosen the marked detail.

12

Repeat the steps when removing on opposite side.

Installation

13



IMG-440518

Note!

Make sure that the spring is placed according to image.

Place the component where indicated in the graphic.

Repeat on the other side.

14

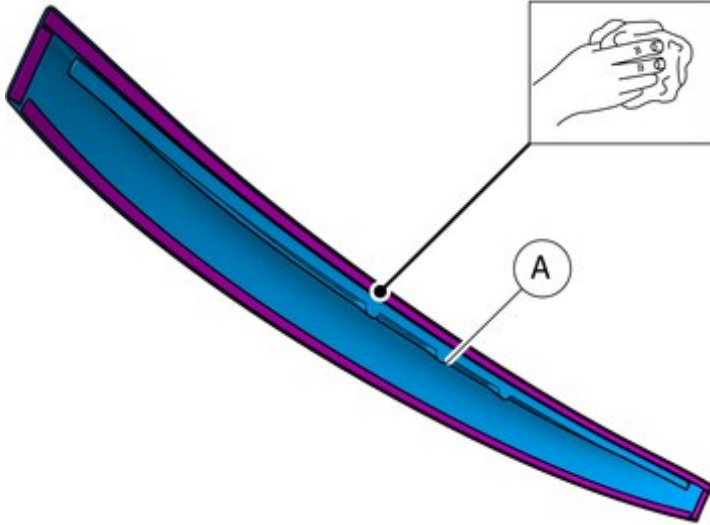
To install, reverse the removal procedure.

Accessory installation

Installation instructions, accessories

Volvo Car Corporation Gothenburg, Sweden

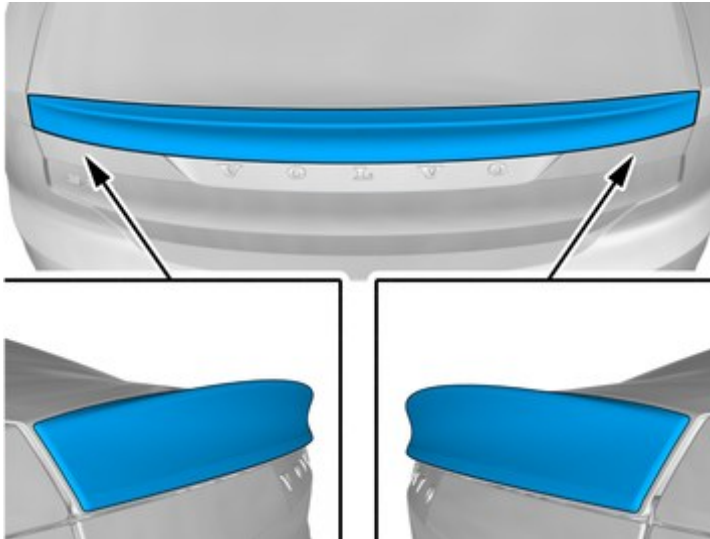
15



Wipe off

IMG-410100

16



Note!

Make sure that the component is centred.

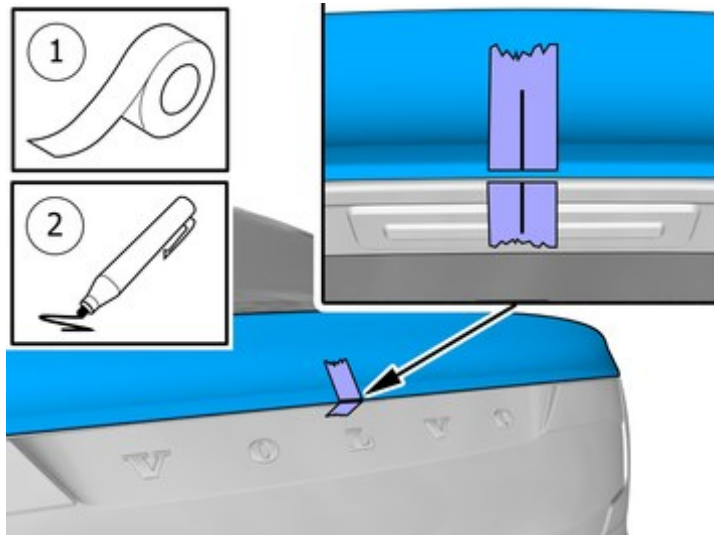
Place the component where indicated in the graphic.

IMG-410115

Installation instructions, accessories

Volvo Car Corporation Gothenburg, Sweden

17



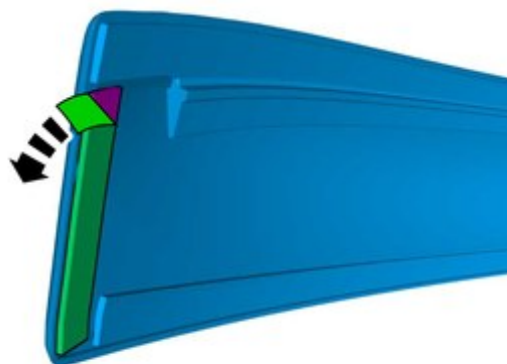
IMG-410652

Note!

This step requires the aid of another technician.

1. Use tape
2. Mark using a pen

18



IMG-410131

Fold the protective film forward

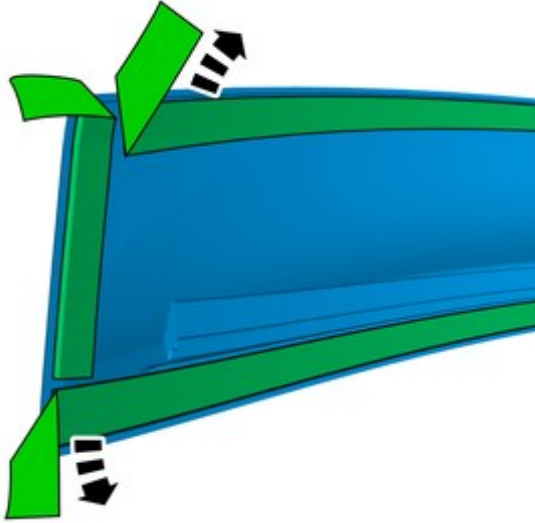
Repeat on the other side.

Installation instructions, accessories

Volvo Car Corporation Gothenburg, Sweden

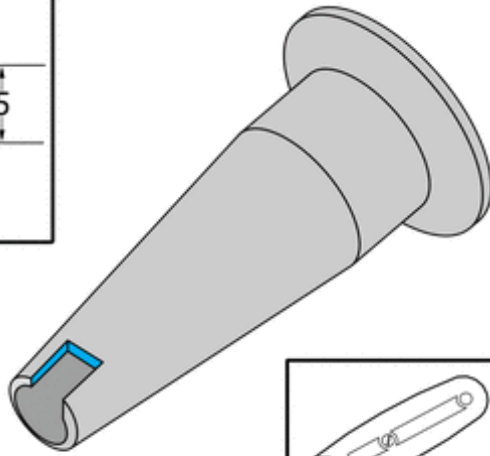
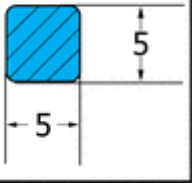
19

Fold the protective film forward



IMG-410130

20 mm



Caution!
Cut carefully to avoid unintentional damage or personal injury.

Cut the component following the instructions in the graphic.

IMG-411869

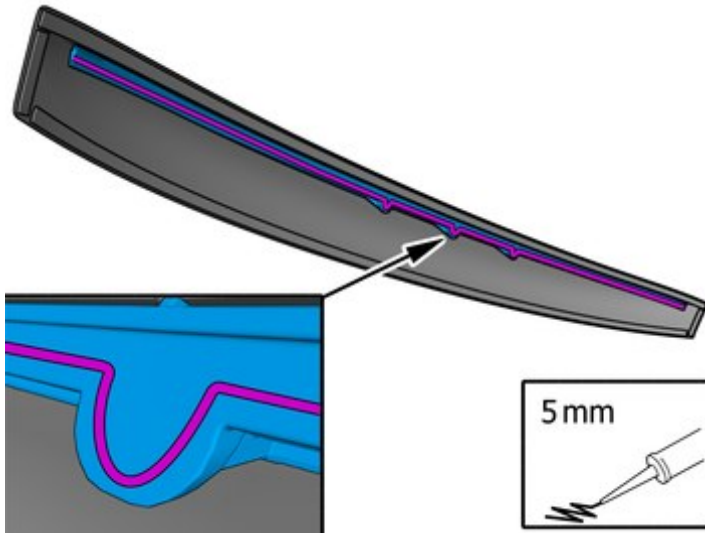
Installation instructions, accessories

Volvo Car Corporation Gothenburg, Sweden

21

Apply the stated Material on the marked surface.

Use: 8750060, Glue



IMG-410683

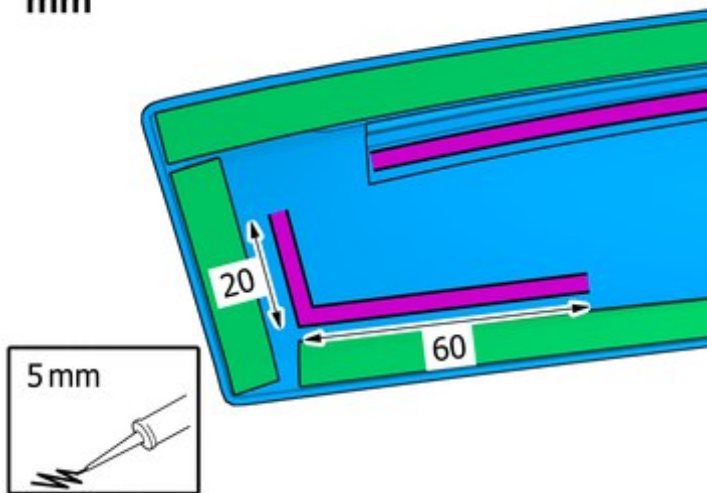
22

mm

Apply the stated Material on the marked surface.

Repeat on the other side.

Use: 8750060, Glue

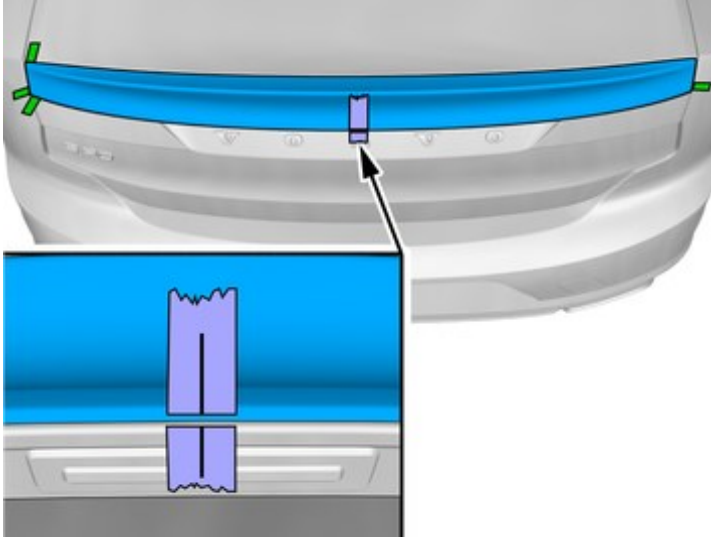


IMG-415796

Installation instructions, accessories

Volvo Car Corporation Gothenburg, Sweden

23



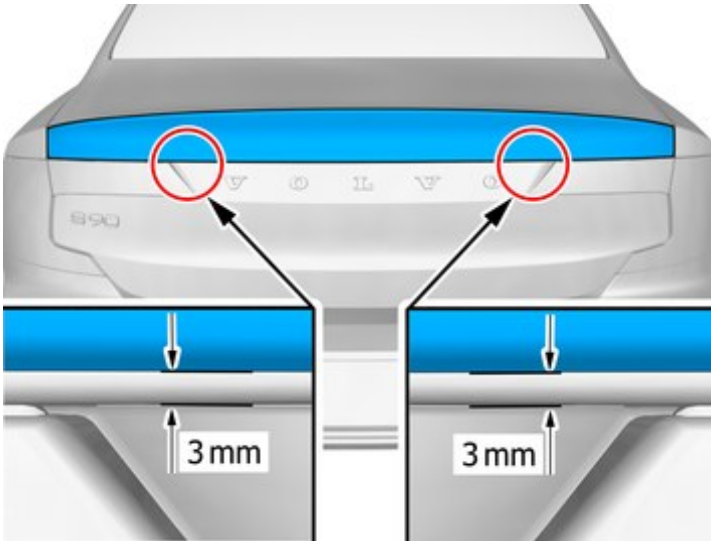
IMG-410140

Note!

Note the position.

Install component that comes with the accessory kit.

24



IMG-410790

Note!

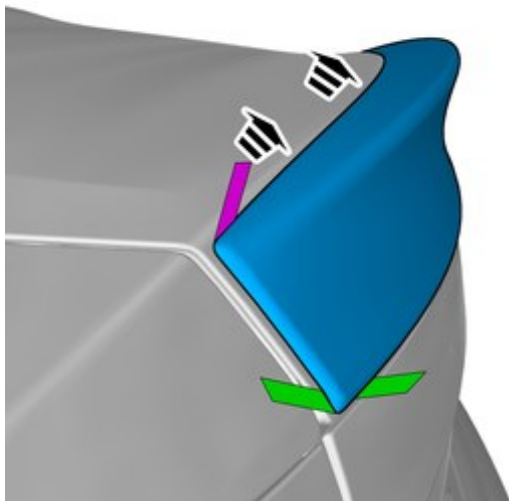
This step requires the aid of another technician.

Measure

Installation instructions, accessories

Volvo Car Corporation Gothenburg, Sweden

25



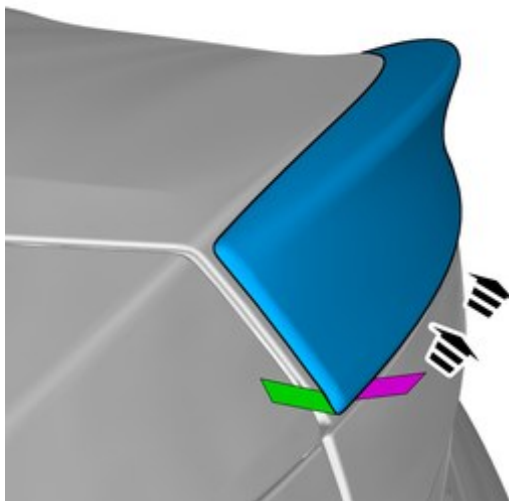
IMG-410724

Caution!
Pull carefully.

Note!
This step requires the aid of another technician.

Remove the protective film.

26



IMG-410726

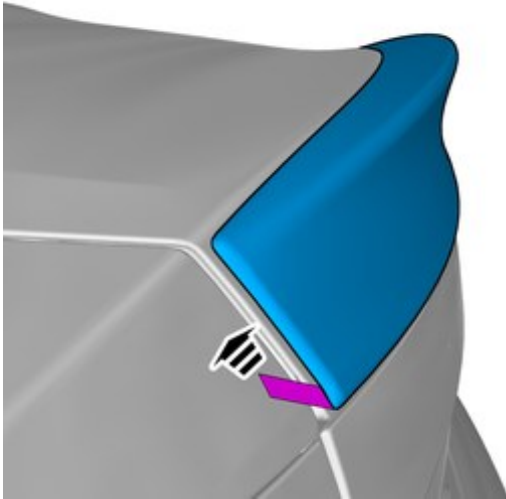
Caution!
Pull carefully.

Remove the protective film.

Installation instructions, accessories

Volvo Car Corporation Gothenburg, Sweden

27



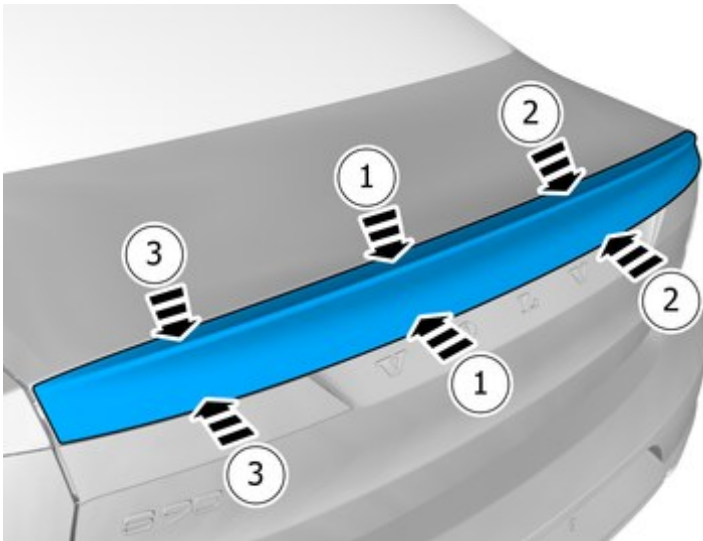
IMG-410728

Caution!
Pull carefully.

Remove the protective film.

Repeat on the other side.

28



IMG-410155

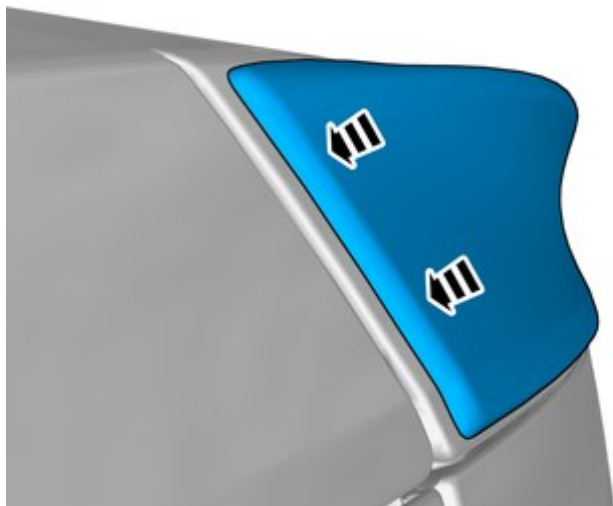
Note!
Press and apply pressure to the part over the tape for at least 20 seconds.

Note!
Ensure that the tape is fixed to the surface.

Installation instructions, accessories

Volvo Car Corporation Gothenburg, Sweden

29



IMG-410735

Note!

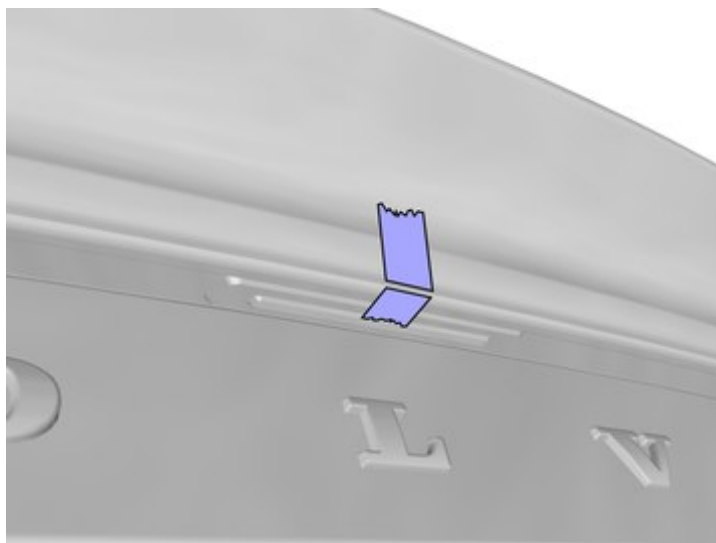
Press and apply pressure to the part over the tape for at least 20 seconds.

Note!

Ensure that the tape is fixed to the surface.

Repeat on the other side.

30



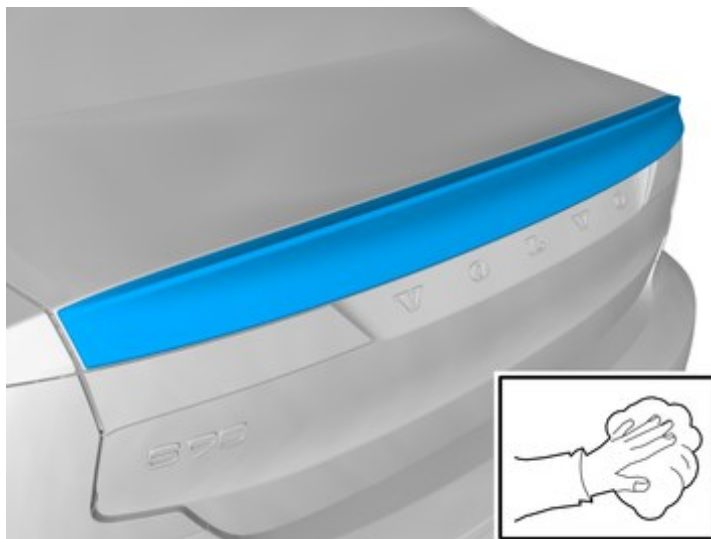
IMG-410746

Remove the tape.

Installation instructions, accessories

Volvo Car Corporation Gothenburg, Sweden

31



IMG-410165

Clean the surfaces.