

Installation instructions, accessories

Volvo Car Corporation Gothenburg, Sweden

Instruction No
31408238

Version
1.0

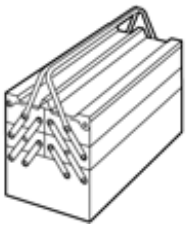
Part. No.
31399129, 31399128

Diffuser, R-design



IMG-377886

Equipment



IMG-345497

Installation instructions, accessories

Volvo Car Corporation Gothenburg, Sweden



IMG-377953

Installation instructions, accessories

Volvo Car Corporation Gothenburg, Sweden

Information

1

Read through all of the instructions before starting installation.

Notifications and warning texts are for your safety and to minimise the risk of something breaking during installation.

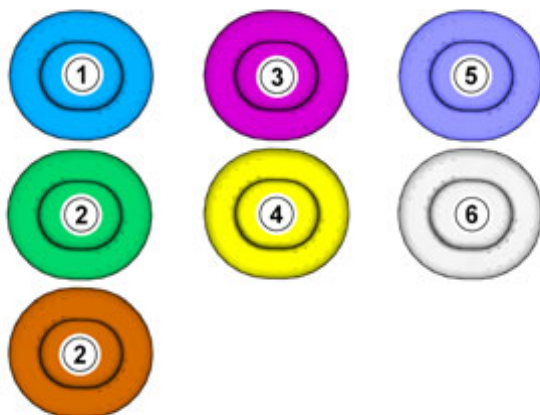
Ensure that all tools stated in the instructions are available before starting installation.

Certain steps in the instructions are only presented in the form of images. Explanatory text is also given for more complicated steps.

In the event of any problems with the instructions or the accessory, contact your local Volvo dealer.

Color symbols

2



1. Used for focused component, the component with which you will do something.

2. Used as extra colors when you need to show or differentiate additional parts.

3. Used for attachments that are to be removed/installed. May be screws, clips, connectors, etc.

4. Used when the component is not fully removed from the vehicle but only hung to the side.

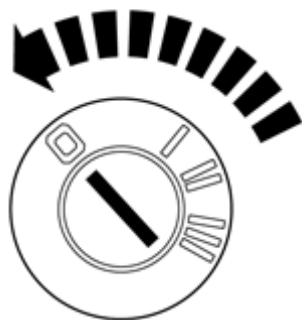
5. Used for standard tools and special tools.

6. Used as background color for vehicle components.

IMG-363036

3

Turn off the ignition.



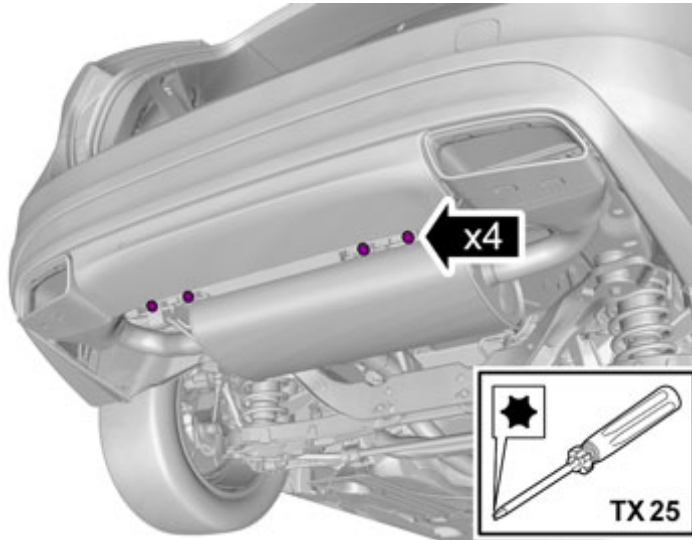
IMG-245980

Installation instructions, accessories

Volvo Car Corporation Gothenburg, Sweden

Removal

4

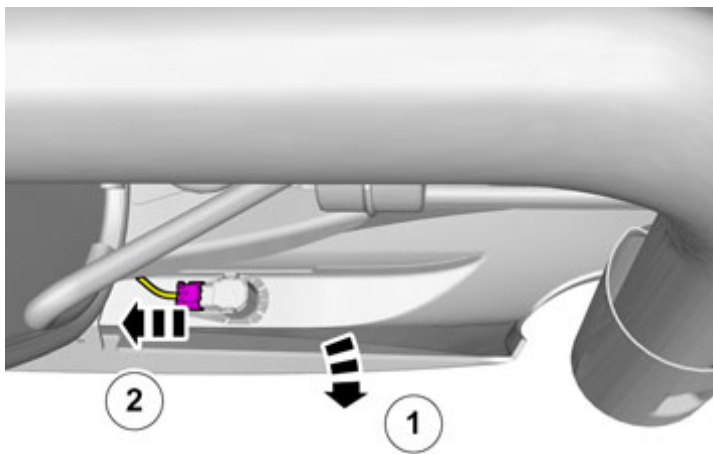


IMG-377892

Remove the screws.

Vehicles with parking assistance

5



IMG-347701

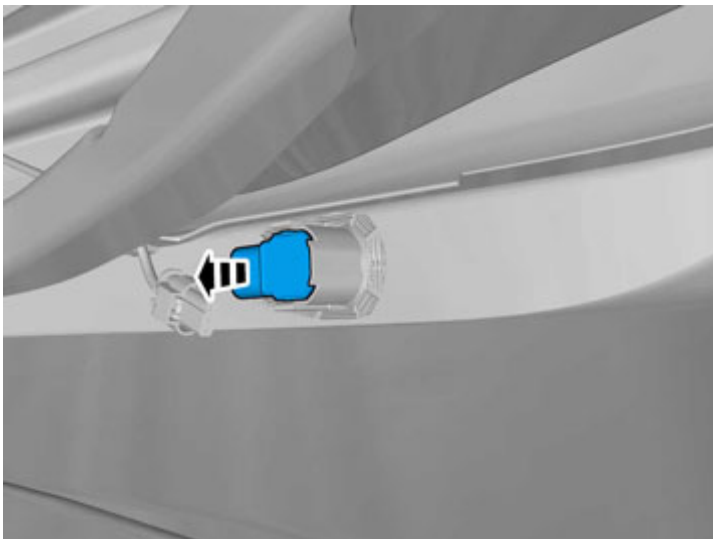
Disconnect the connectors.

On both sides.

Installation instructions, accessories

Volvo Car Corporation Gothenburg, Sweden

6

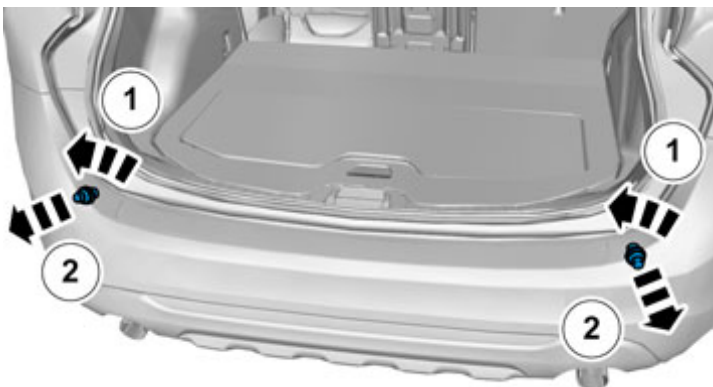


IMG-347702

On both sides.

All vehicles

7

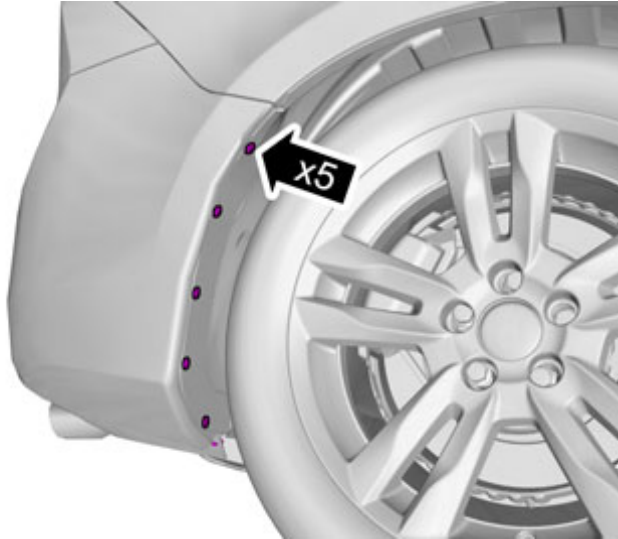


IMG-343213

Installation instructions, accessories

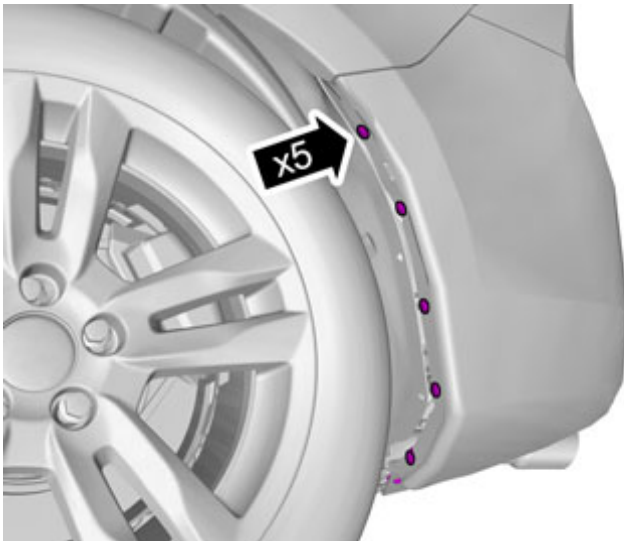
Volvo Car Corporation Gothenburg, Sweden

8



IMG-337277

9

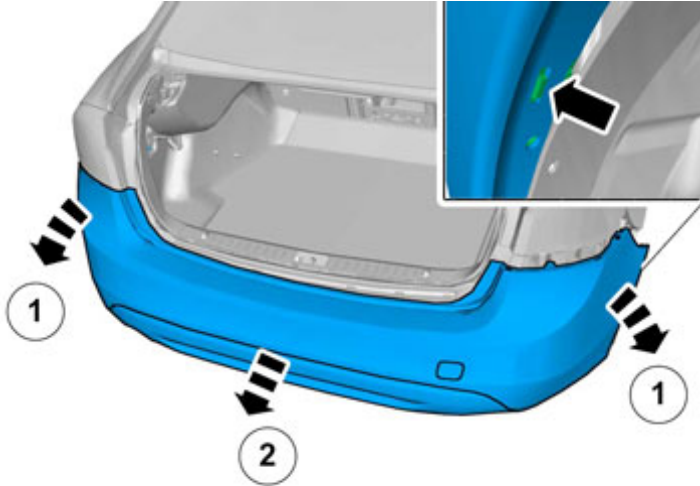


IMG-337278

Installation instructions, accessories

Volvo Car Corporation Gothenburg, Sweden

10

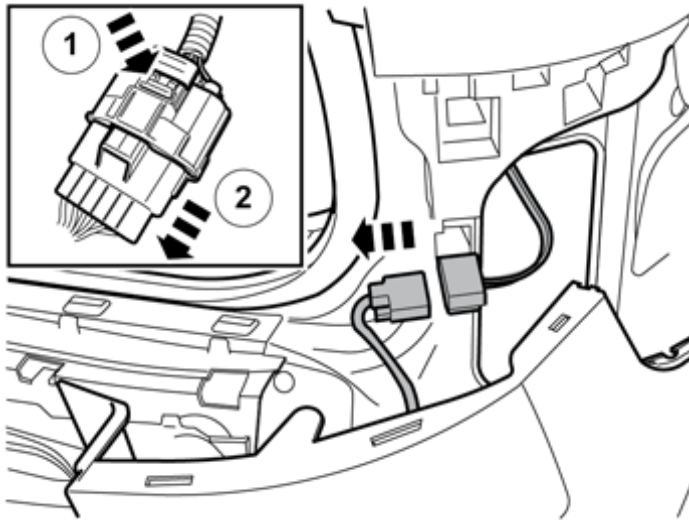


Request the aid of a colleague for this procedure.

IMG-337279

Vehicles with parking assistance

11



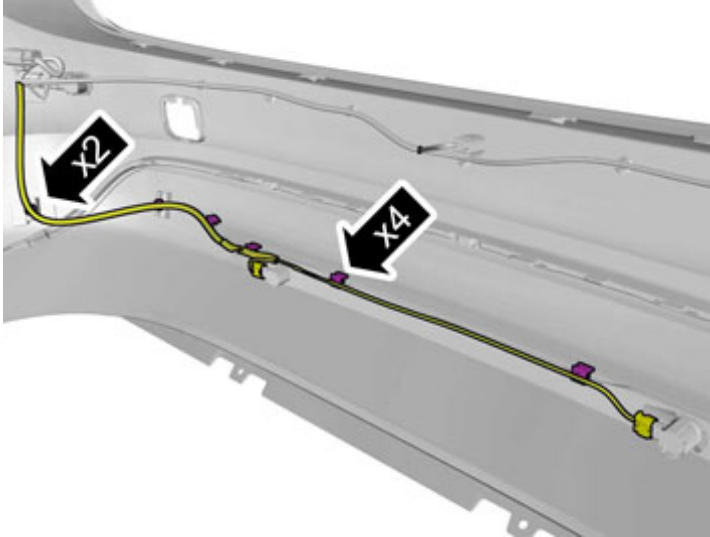
Disconnect the connector, if applicable.

IMG-337311

Installation instructions, accessories

Volvo Car Corporation Gothenburg, Sweden

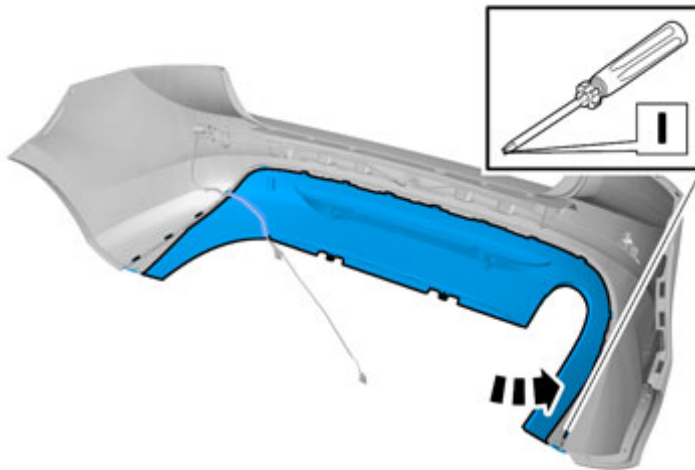
12



IMG-347703

All vehicles

13



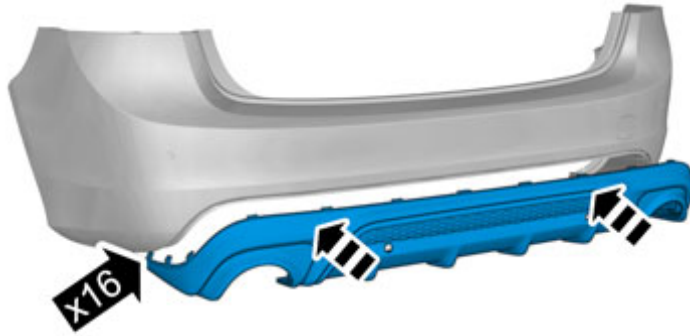
IMG-340226

Accessory installation

Installation instructions, accessories

Volvo Car Corporation Gothenburg, Sweden

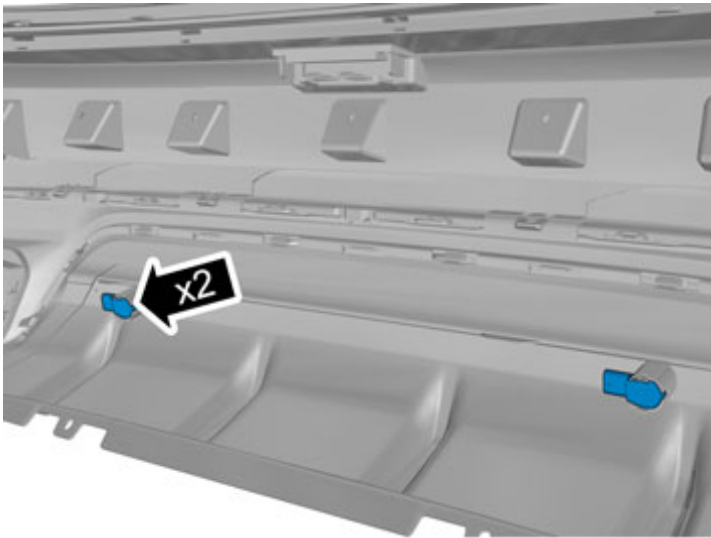
14



IMG-377955

Vehicles with parking assistance

15

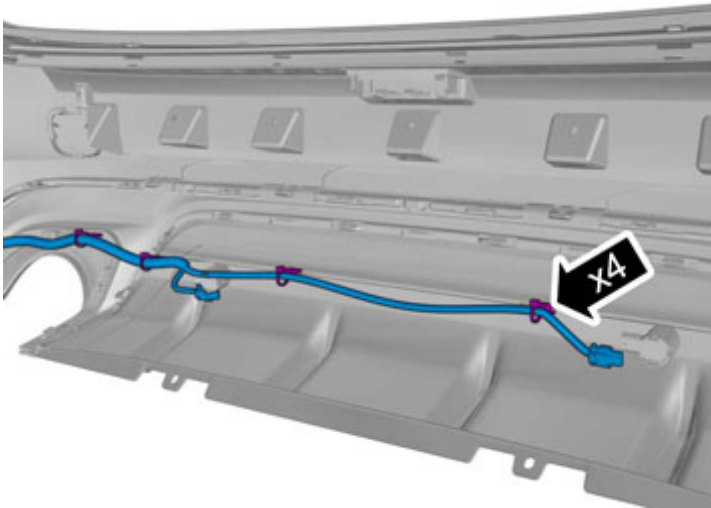


IMG-377956

Installation instructions, accessories

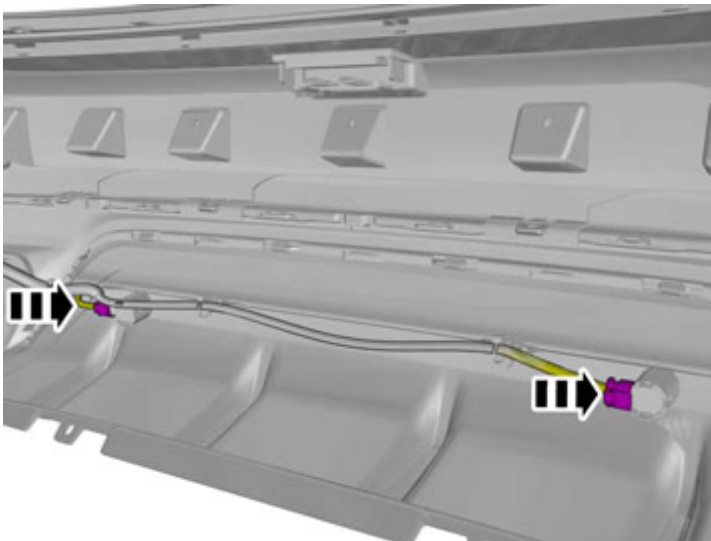
Volvo Car Corporation Gothenburg, Sweden

16



IMG-377957

17



IMG-377958

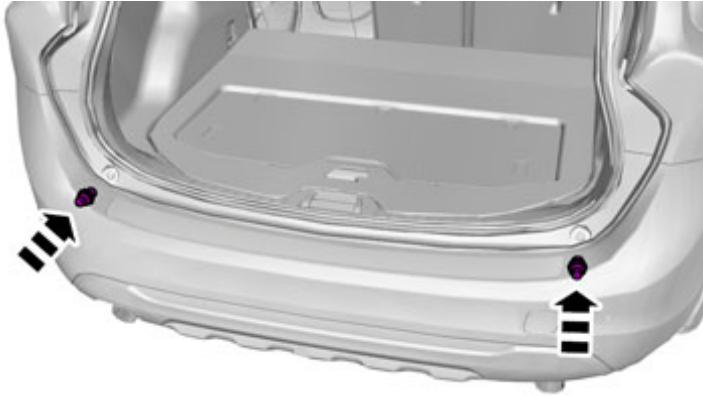
Connect the connectors.

Installation

Installation instructions, accessories

Volvo Car Corporation Gothenburg, Sweden

20



IMG-347831

21

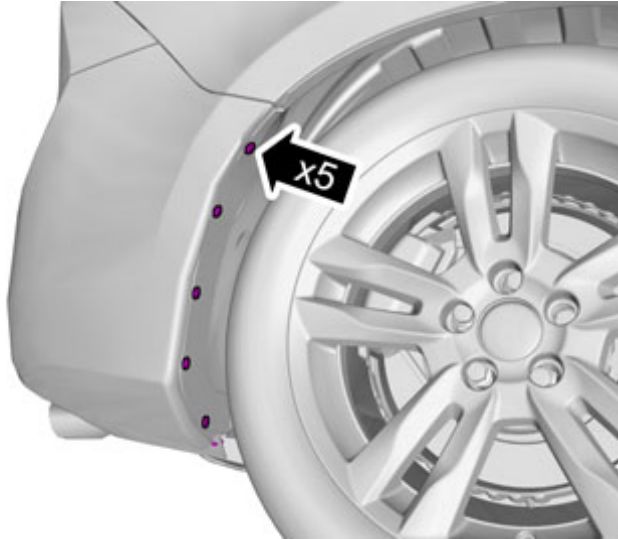


IMG-337278

Installation instructions, accessories

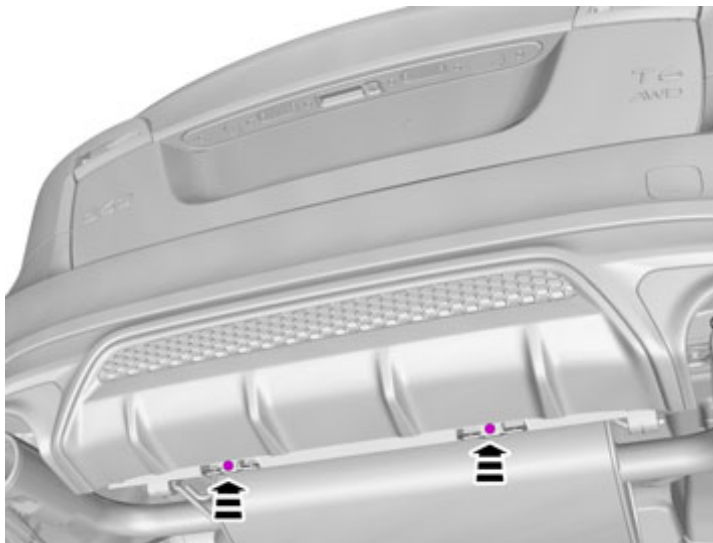
Volvo Car Corporation Gothenburg, Sweden

22



IMG-337277

23



IMG-381538

Install the screws.