

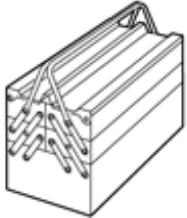
# Installation instructions, accessories

Volvo Car Corporation Gothenburg, Sweden

**Instruction No** 31650294  
**Version** 1.0  
**Part. No.** 31650288

## Mudflaps, rear

### Equipment



IMG-345497



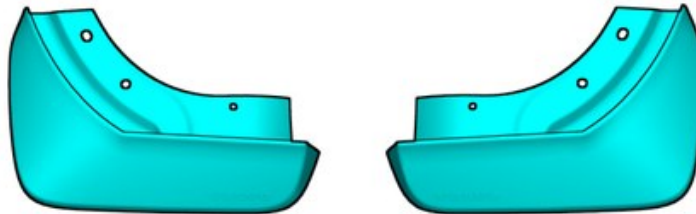
IMG-268803



IMG-239981



IMG-239940



IMG-442469

# Installation instructions, accessories

Volvo Car Corporation Gothenburg, Sweden

---

## Information

---

1

Read through all of the instructions before starting installation.

Notifications and warning texts are for your safety and to minimise the risk of something breaking during installation.

Ensure that all tools stated in the instructions are available before starting installation.

Certain steps in the instructions are only presented in the form of images. Explanatory text is also given for more complicated steps.

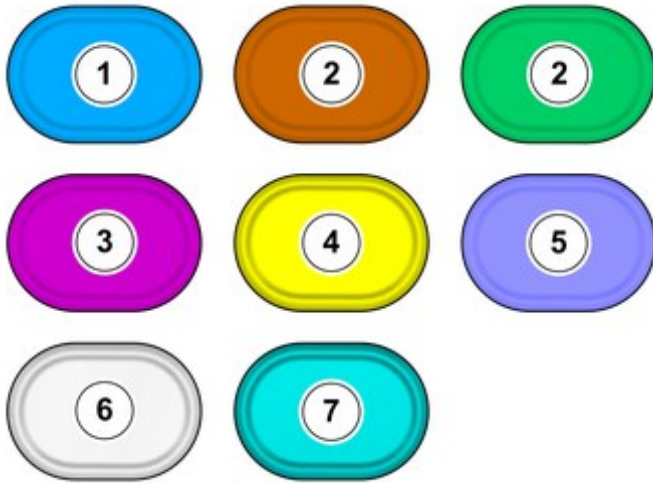
In the event of any problems with the instructions or the accessory, contact your local Volvo dealer.

---

## Color symbols

---

2



IMG-400010

### Note!

This colour chart displays (in colour print and electronic version) the importance of the different colours used in the images of the method steps.

1. Used for focused component, the component with which you will do something.
  2. Used as extra colors when you need to show or differentiate additional parts.
  3. Used for attachments that are to be removed/installed. May be screws, clips, connectors, etc.
  4. Used when the component is not fully removed from the vehicle but only hung to the side.
  5. Used for standard tools and special tools.
  6. Used as background color for vehicle components.
  7. Used for accessory components.
- 

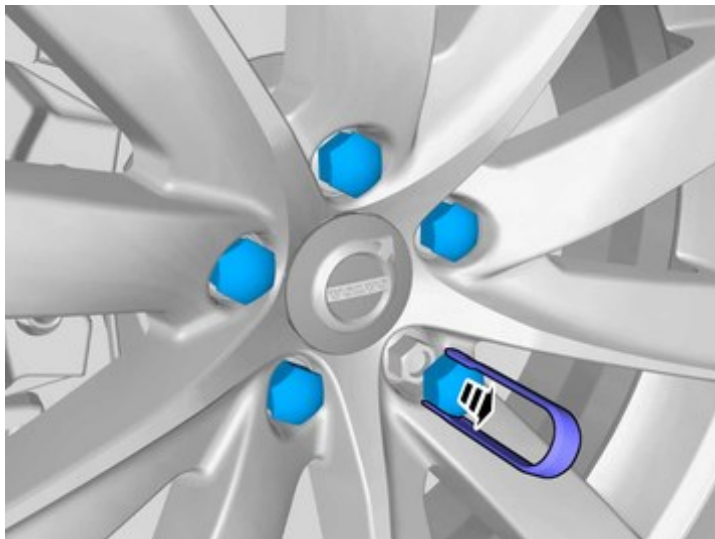
## Removal

---

# Installation instructions, accessories

Volvo Car Corporation Gothenburg, Sweden

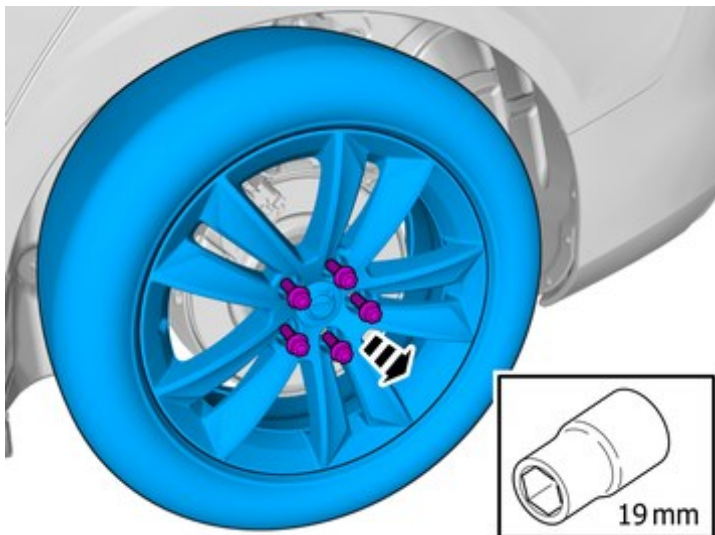
3



IMG-441867

Remove the marked part.

4



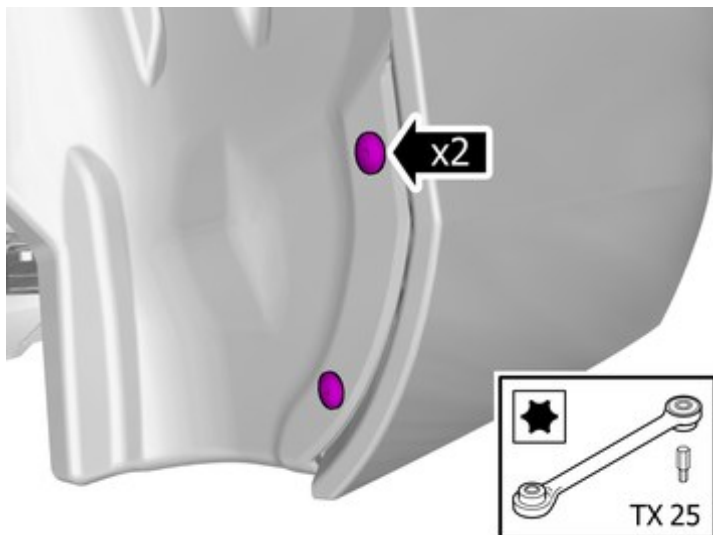
IMG-441820

Remove the marked part.

# Installation instructions, accessories

Volvo Car Corporation Gothenburg, Sweden

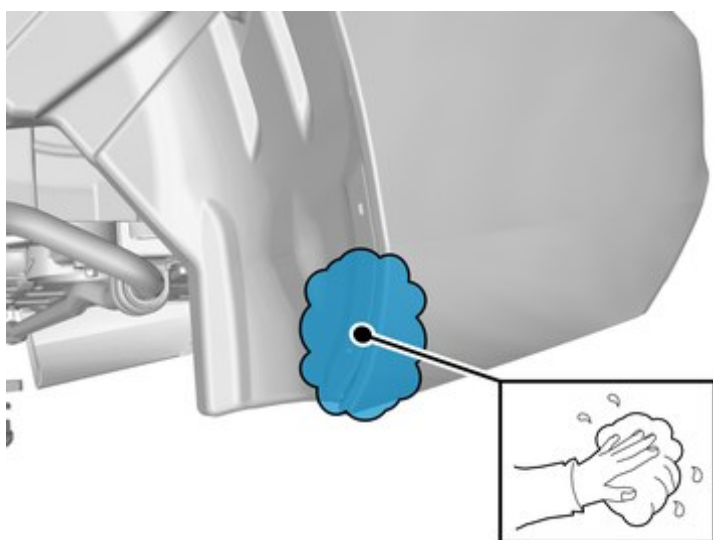
5



IMG-442470

Loosen the screws.

6



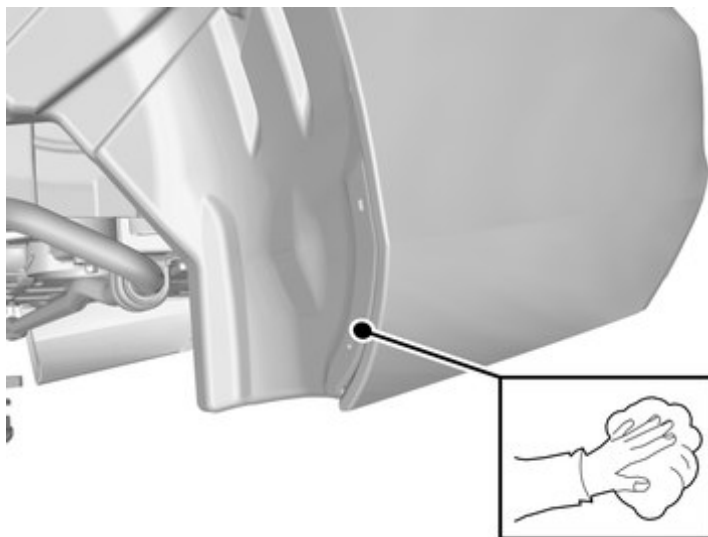
IMG-442475

Wipe off

# Installation instructions, accessories

Volvo Car Corporation Gothenburg, Sweden

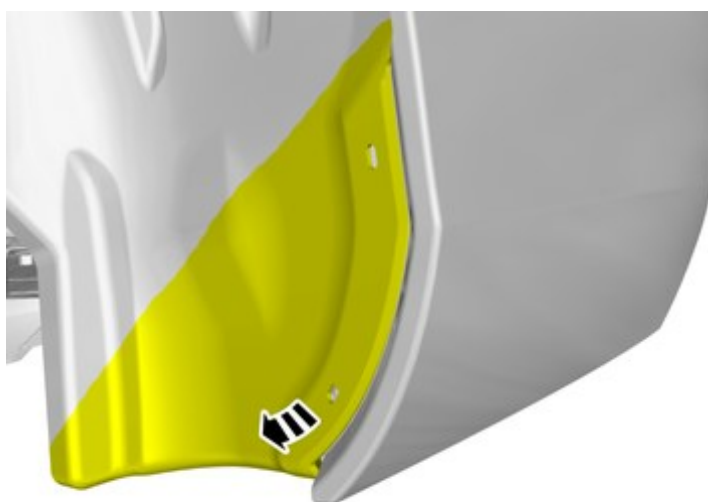
7



Wipe dry.

IMG-442476

8



Fold the wing liner aside.

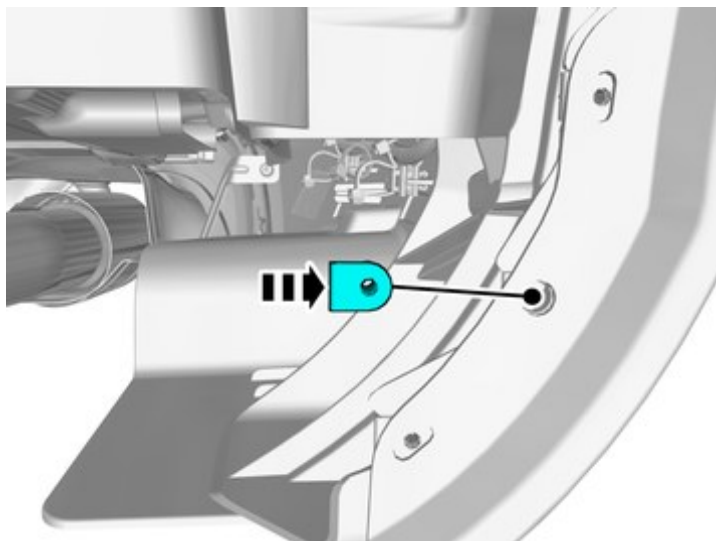
IMG-442477

**Accessory installation**

# Installation instructions, accessories

Volvo Car Corporation Gothenburg, Sweden

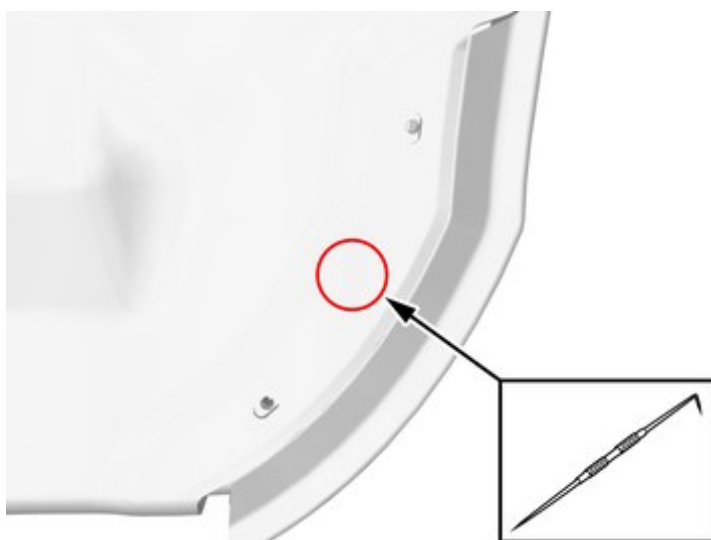
9



IMG-442479

Place the component where indicated in the graphic.

10



IMG-442480

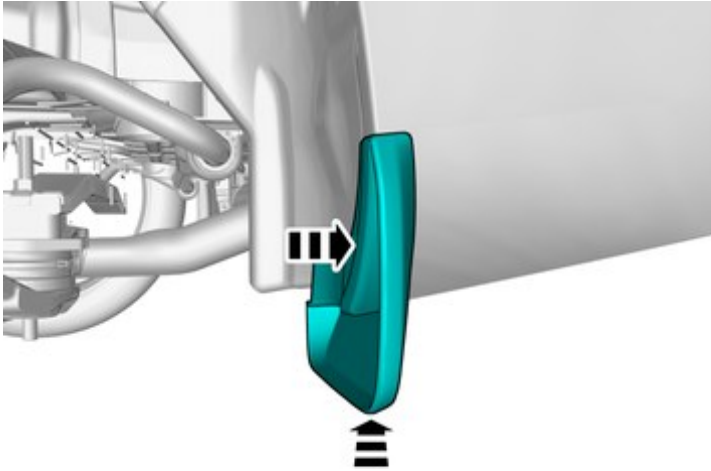
Locate the existing holes.

Make a hole, using the tool indicated.

# Installation instructions, accessories

Volvo Car Corporation Gothenburg, Sweden

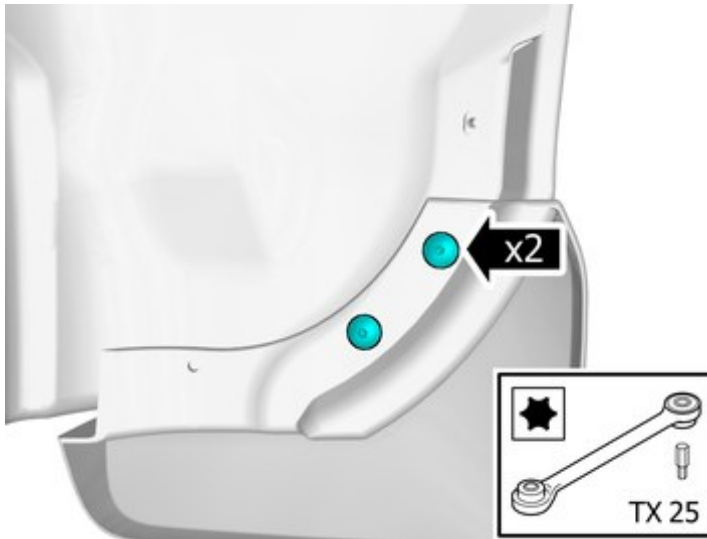
11



Place the component where indicated in the graphic.

IMG-442490

12



**Note!**  
Ensure that the component is in contact with the surface, with no space.

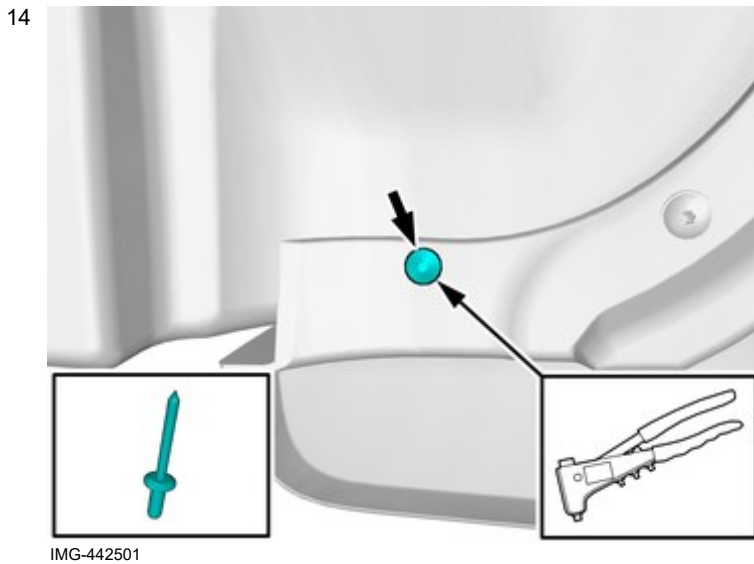
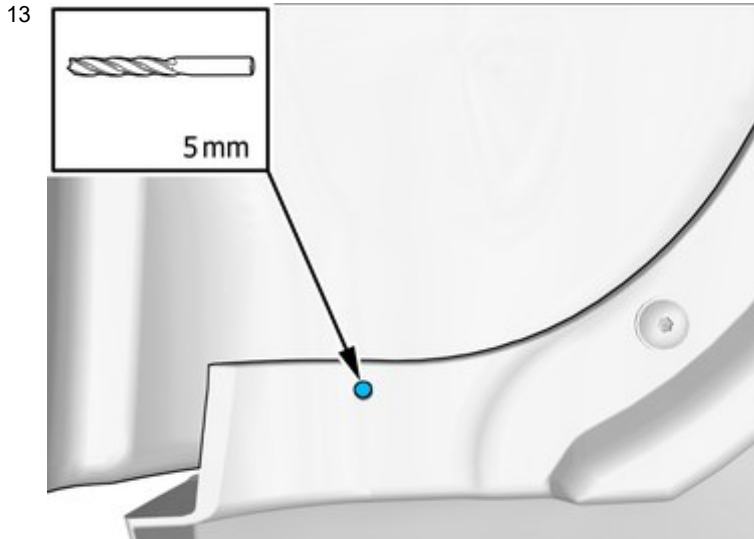
Install component that comes with the accessory kit.

Tighten the bolts.

IMG-442491

# Installation instructions, accessories

Volvo Car Corporation Gothenburg, Sweden



Install component that comes with the accessory kit.

15 Repeat all method steps for the other side.

16 Reinstall the removed parts in reverse order.