

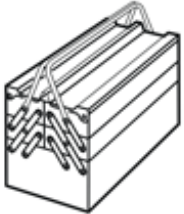
Installation instructions, accessories

Volvo Car Corporation Gothenburg, Sweden

Instruction No 31305910
Version 1.0
Part. No. 31316842

Reinforcement panels

Equipment

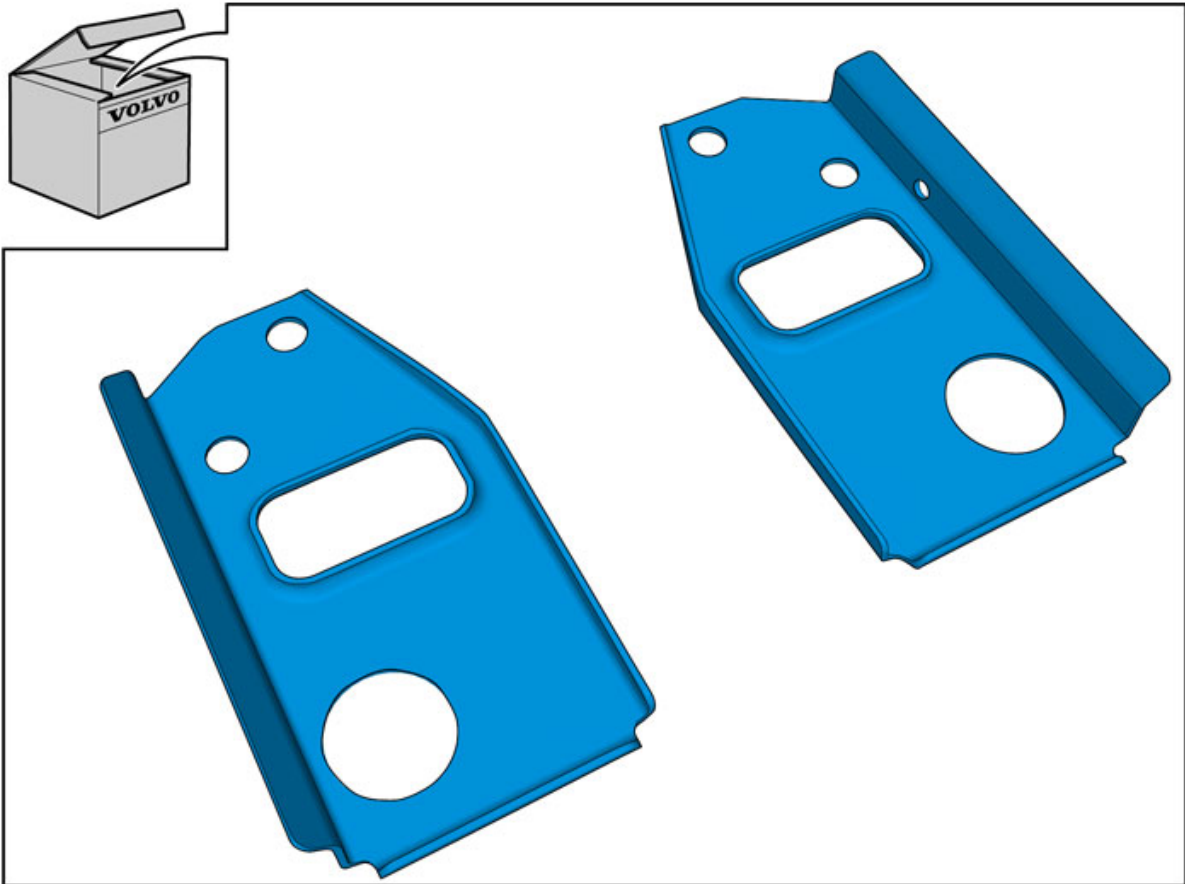


A0000162



IMG-239664

Nm
lbf.ft



IMG-339391

Installation instructions, accessories

Volvo Car Corporation Gothenburg, Sweden

INTRODUCTION

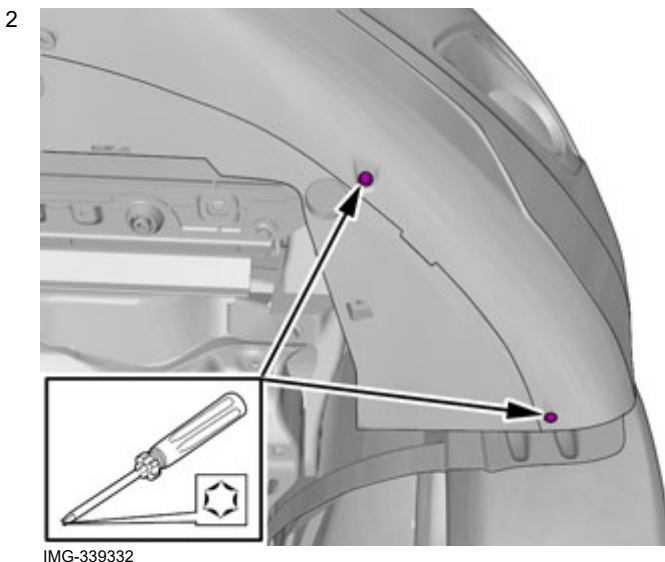
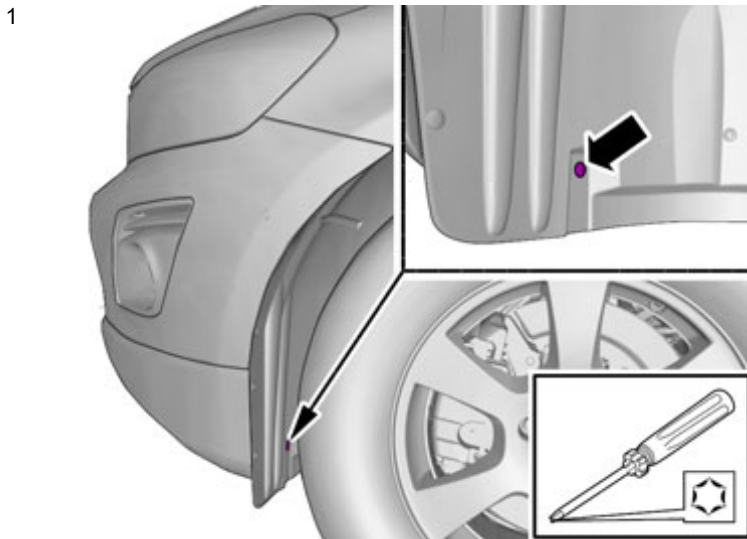
Read through all of the instructions before starting installation.

Notifications and warning texts are for your safety and to minimise the risk of something breaking during installation.

Ensure that all tools stated in the instructions are available before starting installation.

Certain steps in the instructions are only presented in the form of images. Explanatory text is also given for more complicated steps.

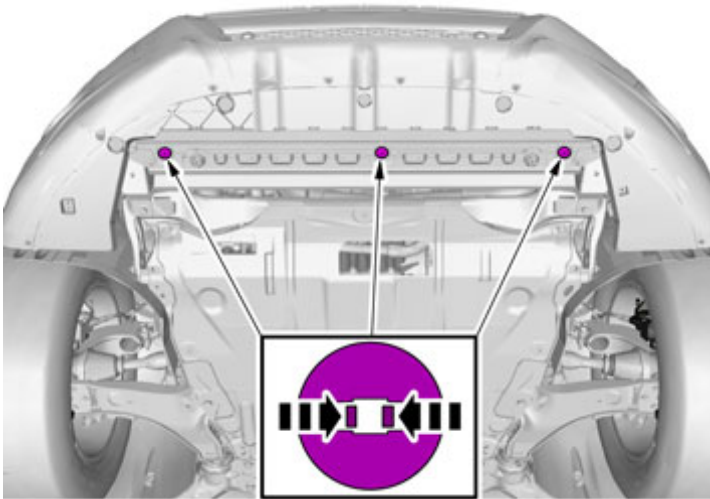
In the event of any problems with the instructions or the accessory, contact your local Volvo dealer.



Installation instructions, accessories

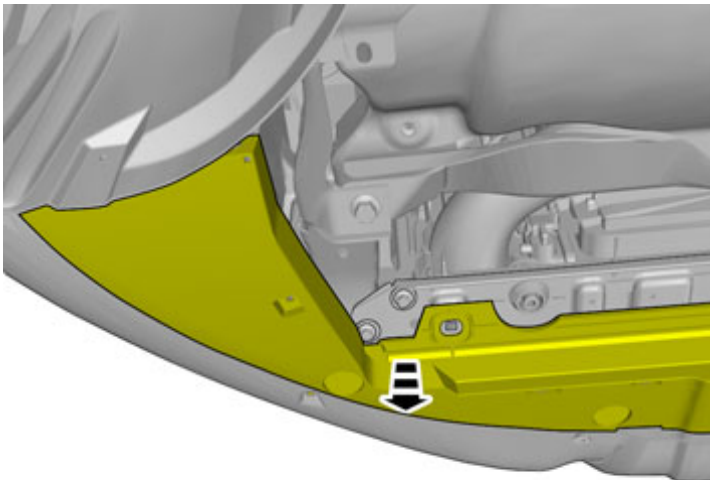
Volvo Car Corporation Gothenburg, Sweden

3



IMG-307689

4

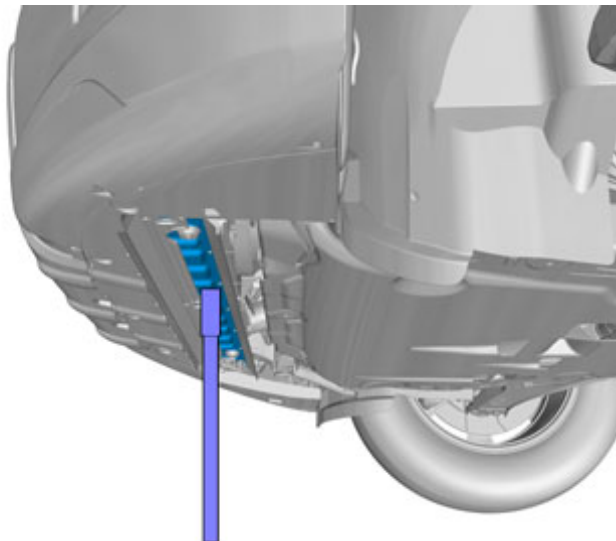


IMG-339356

Installation instructions, accessories

Volvo Car Corporation Gothenburg, Sweden

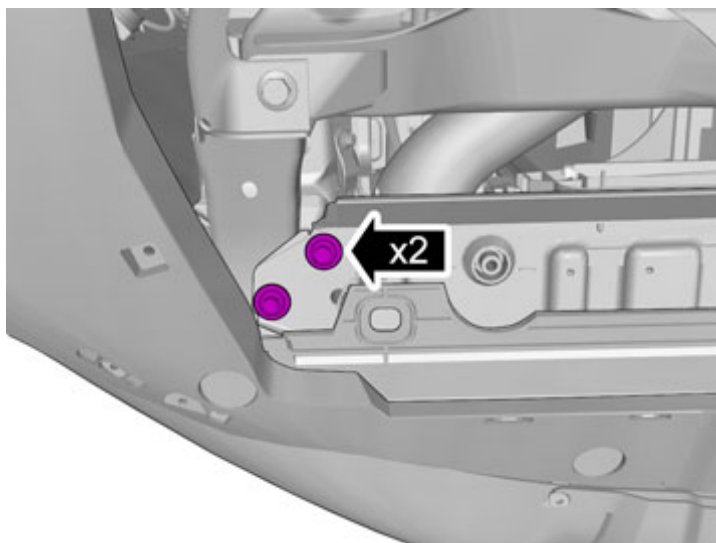
5



Place a support under the radiator member.

IMG-342187

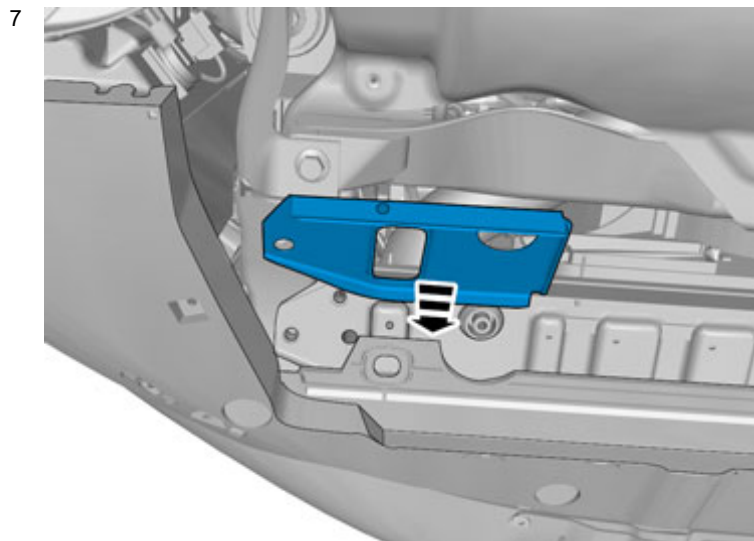
6



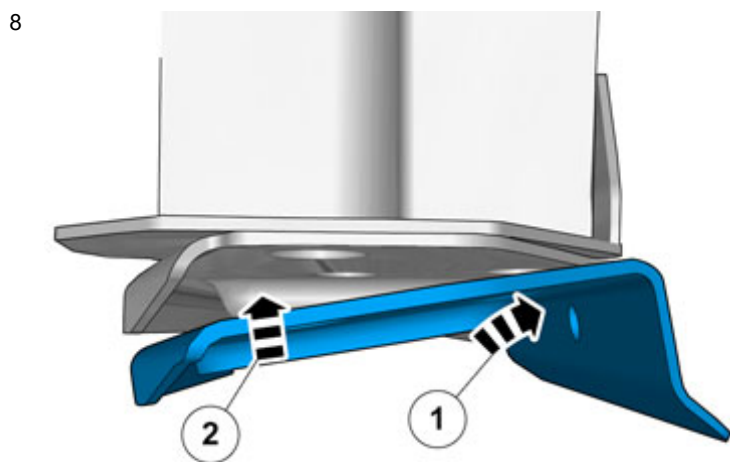
IMG-339333

Installation instructions, accessories

Volvo Car Corporation Gothenburg, Sweden



IMG-339334

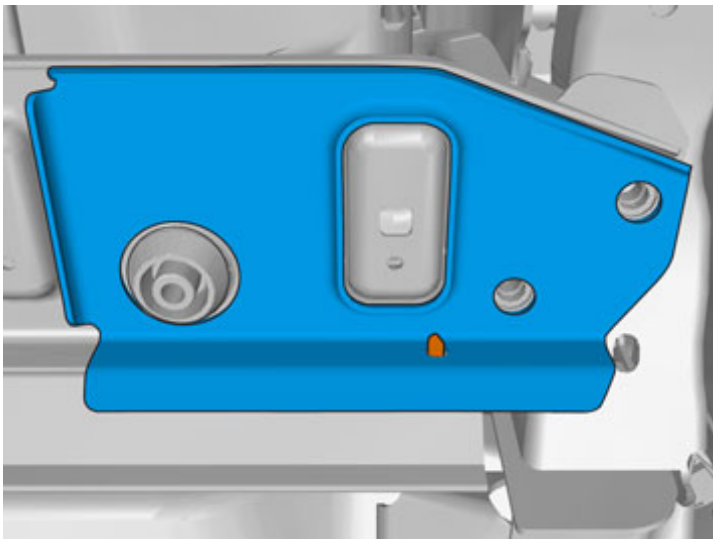


IMG-339743

Installation instructions, accessories

Volvo Car Corporation Gothenburg, Sweden

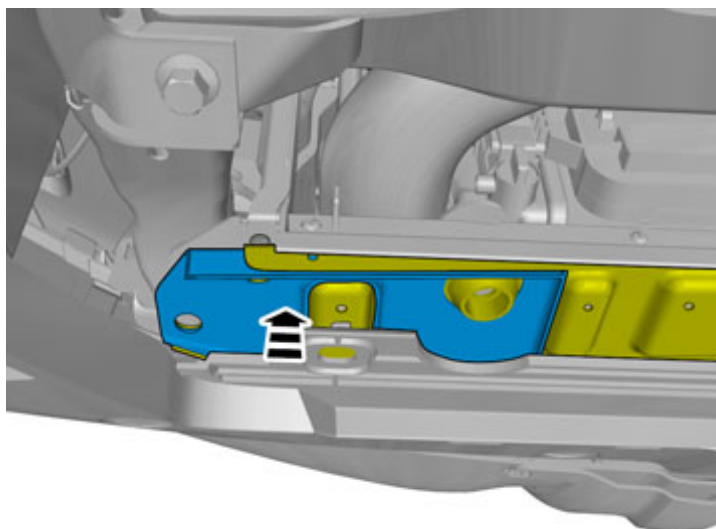
9



IMG-339741

Ensure that the reinforcement panels are correctly positioned.

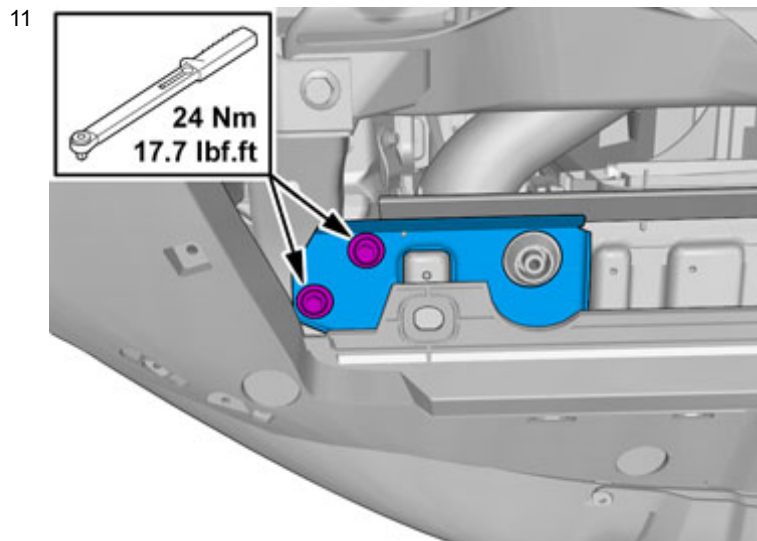
10



IMG-339361

Installation instructions, accessories

Volvo Car Corporation Gothenburg, Sweden



12

Repeat all method steps for the other side.

Reinstall the detached components in reverse order.