



Installation instructions, accessories

Volvo Car Corporation Gothenburg, Sweden

Instruction No	Version	Part. No.
31265335	1.3	31265329

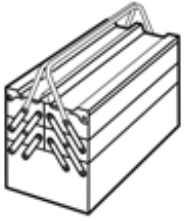
Mudflaps



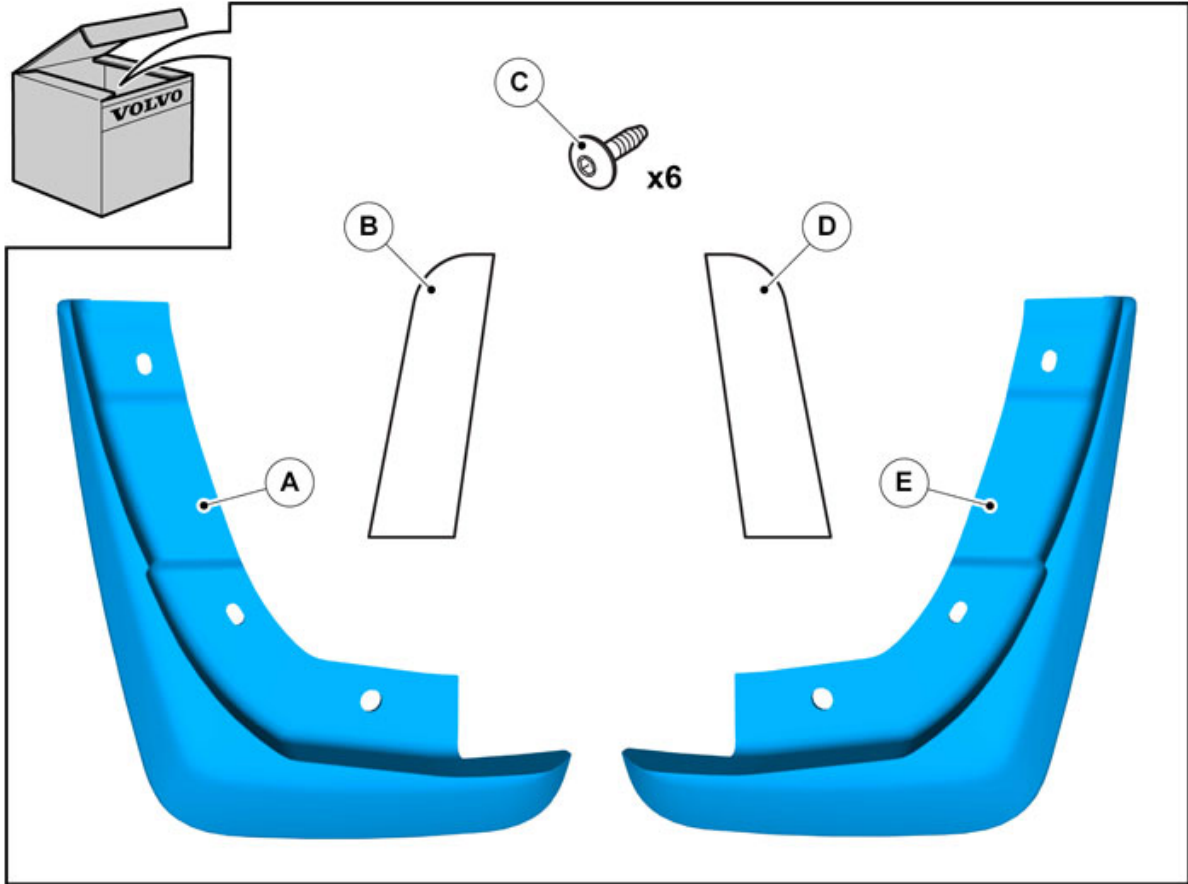
Installation instructions, accessories

Volvo Car Corporation Gothenburg, Sweden

Equipment



A0000162



IMG-340354



Installation instructions, accessories

Volvo Car Corporation Gothenburg, Sweden

INTRODUCTION

Read through all of the instructions before starting installation.

Notifications and warning texts are for your safety and to minimise the risk of something breaking during installation.

Ensure that all tools stated in the instructions are available before starting installation.

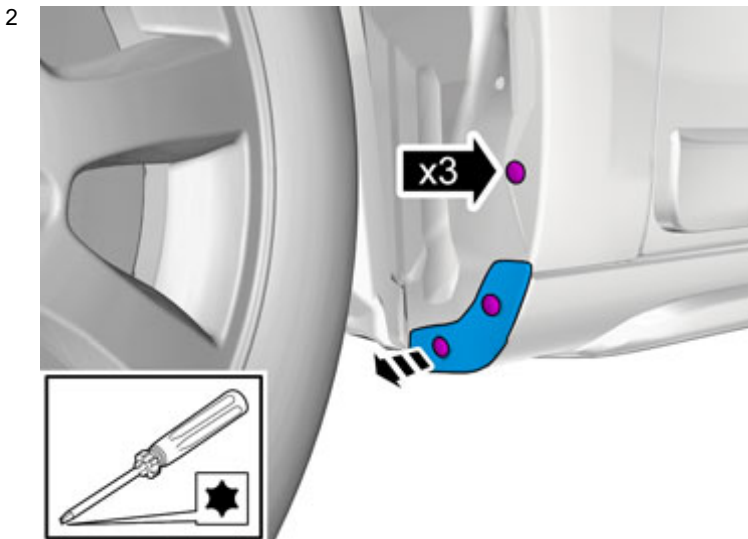
Certain steps in the instructions are only presented in the form of images. Explanatory text is also given for more complicated steps.

In the event of any problems with the instructions or the accessory, contact your local Volvo dealer.



Turn the wheel.

IMG-340356



Remove the screws and flap. These will not be reused.

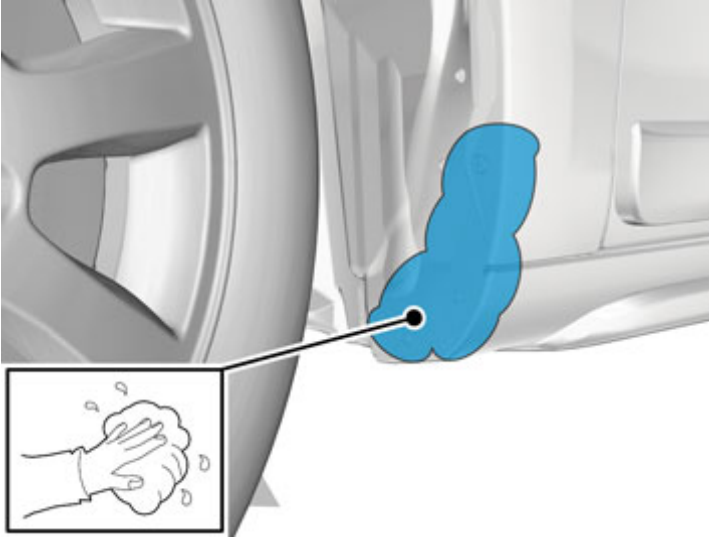
IMG-340357



Installation instructions, accessories

Volvo Car Corporation Gothenburg, Sweden

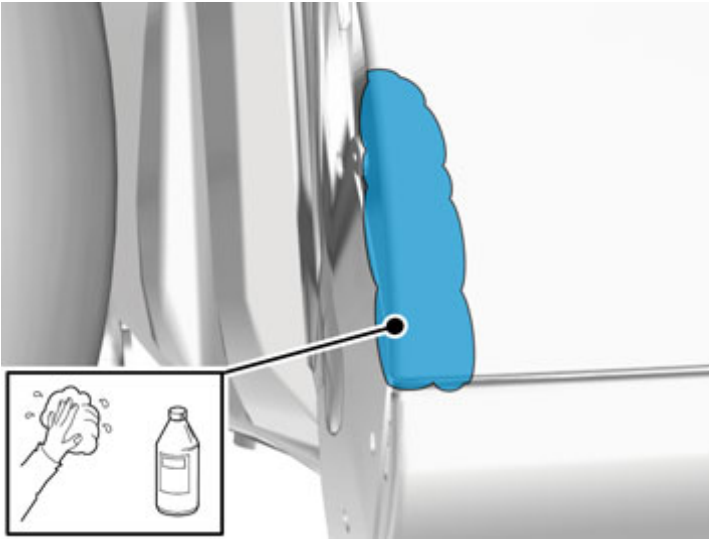
3



IMG-340358

Clean the area where the mudflap is to be positioned.

4



IMG-340360

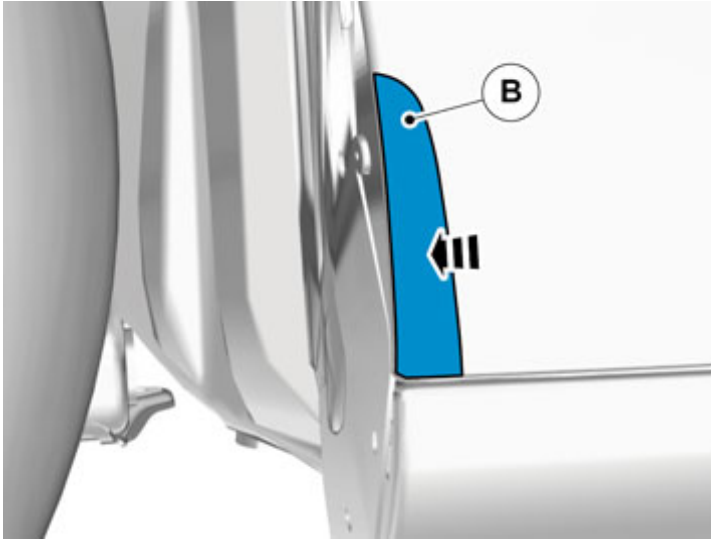
Clean the area where the protective tape is to be attached. Use: Isopropanol.



Installation instructions, accessories

Volvo Car Corporation Gothenburg, Sweden

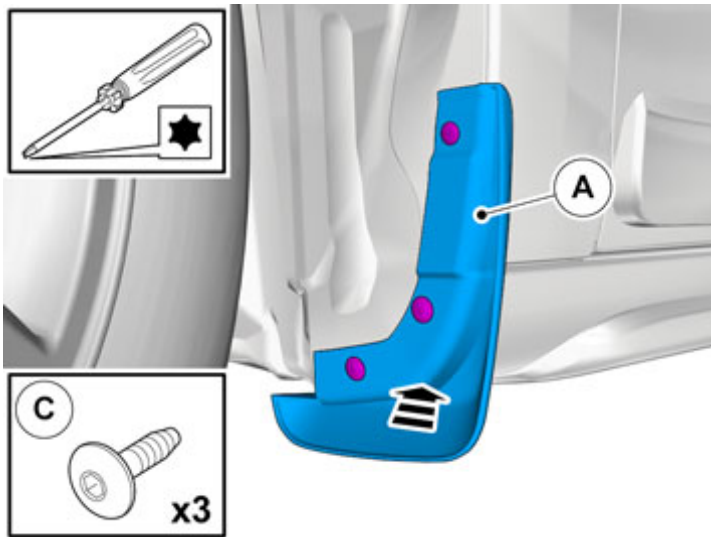
5



IMG-340361

Attach the protective tape.

6



IMG-340362

Install and screw the mudflap into place. Repeat the procedure on the other side.