



Installation instructions, accessories

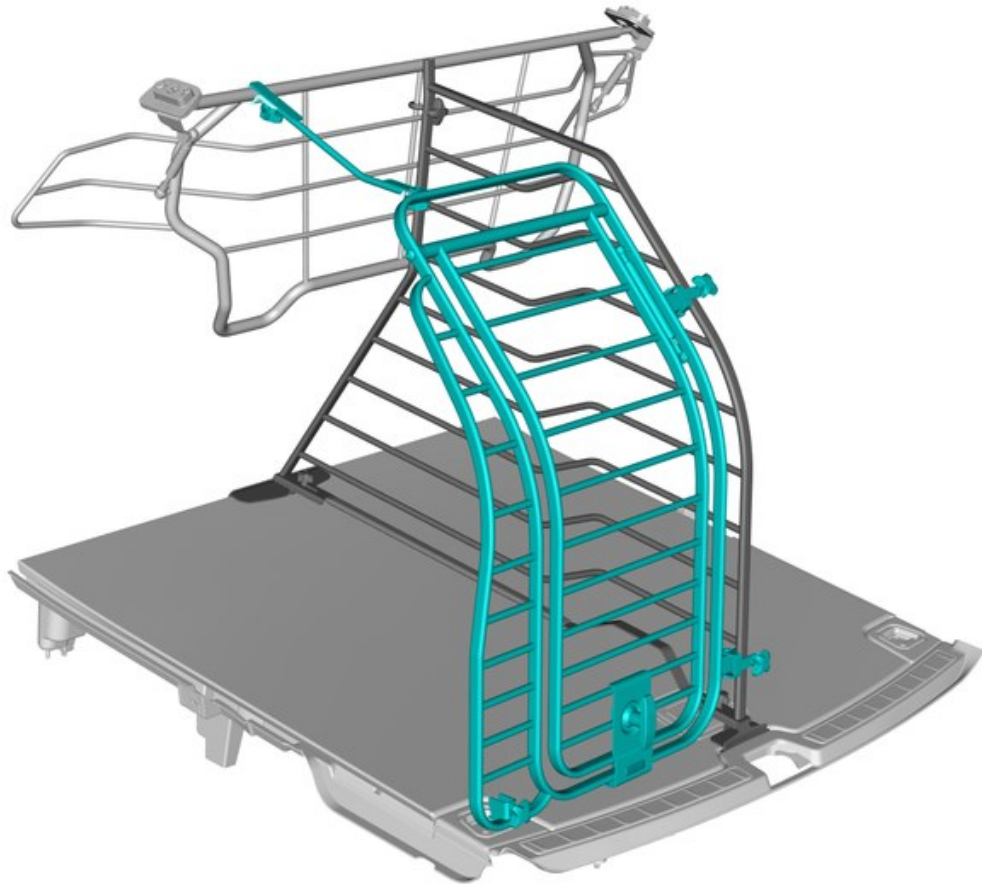
Volvo Car Corporation Gothenburg, Sweden

Instruction No
32310541

Version
1.0

Part. No.
32149830, 32149829

Load organiser, load compartment, dog gate



IMG-473439



Installation instructions, accessories

Volvo Car Corporation Gothenburg, Sweden



IMG-473382



Installation instructions, accessories

Volvo Car Corporation Gothenburg, Sweden

Information

1

Read through all of the instructions before starting installation.

Notifications and warning texts are for your safety and to minimise the risk of something breaking during installation.

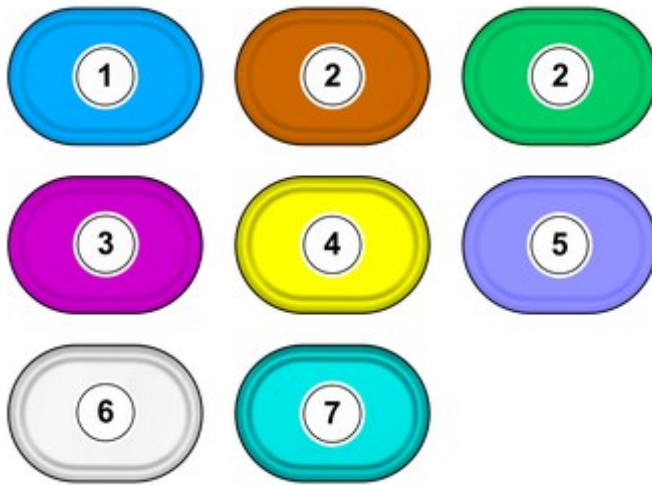
Ensure that all tools stated in the instructions are available before starting installation.

Certain steps in the instructions are only presented in the form of images. Explanatory text is also given for more complicated steps.

In the event of any problems with the instructions or the accessory, contact your local Volvo dealer.

Color symbols

2



IMG-400010

Note!

This colour chart displays (in colour print and electronic version) the importance of the different colours used in the images of the method steps.

1. Used for focused component, the component with which you will do something.
2. Used as extra colors when you need to show or differentiate additional parts.
3. Used for attachments that are to be removed/installed. May be screws, clips, connectors, etc.
4. Used when the component is not fully removed from the vehicle but only hung to the side.
5. Used for standard tools and special tools.
6. Used as background color for vehicle components.
7. Used for accessory components.



Installation instructions, accessories

Volvo Car Corporation Gothenburg, Sweden

3



IMG-400004

Note!

This instruction shows installation of dog gate on the left side. Use the instruction for the right side as well.

Accessory installation

4



IMG-420155



Installation instructions, accessories

Volvo Car Corporation Gothenburg, Sweden

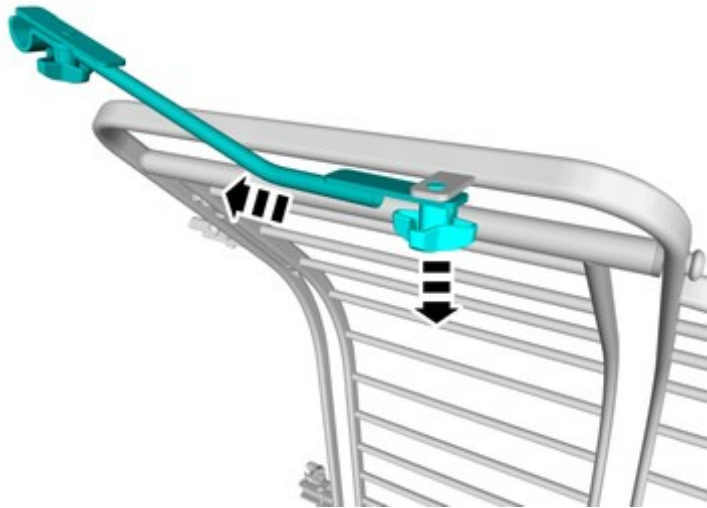
5



Use details according to image.

IMG-473427

6



Remove the nut.

Remove the marked part.

IMG-473426

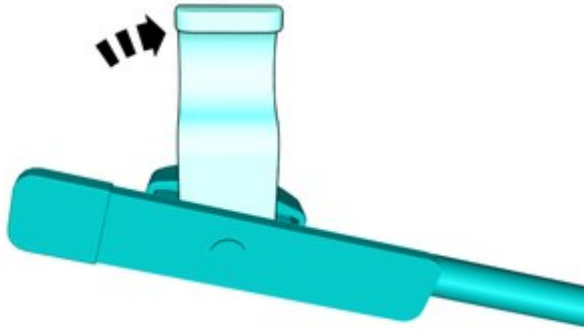


Installation instructions, accessories

Volvo Car Corporation Gothenburg, Sweden

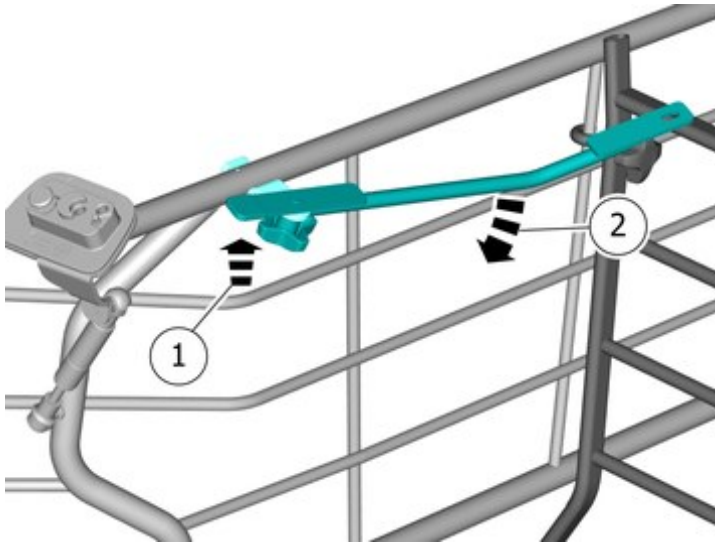
7

Adjust the position of the component according to image.



IMG-473429

8



IMG-473438

Note!
Do not fully tighten the bolt.

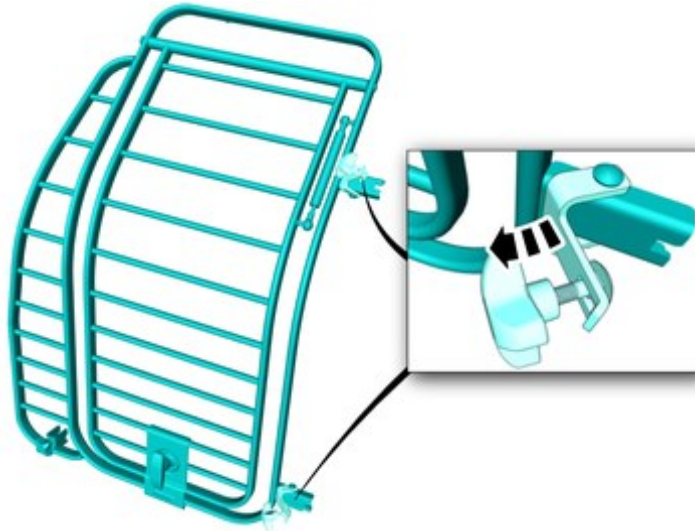
Install the marked components.



Installation instructions, accessories

Volvo Car Corporation Gothenburg, Sweden

9



Loosen the nuts.

IMG-473609

10



Caution!
Be extra careful when removing or installing this component.

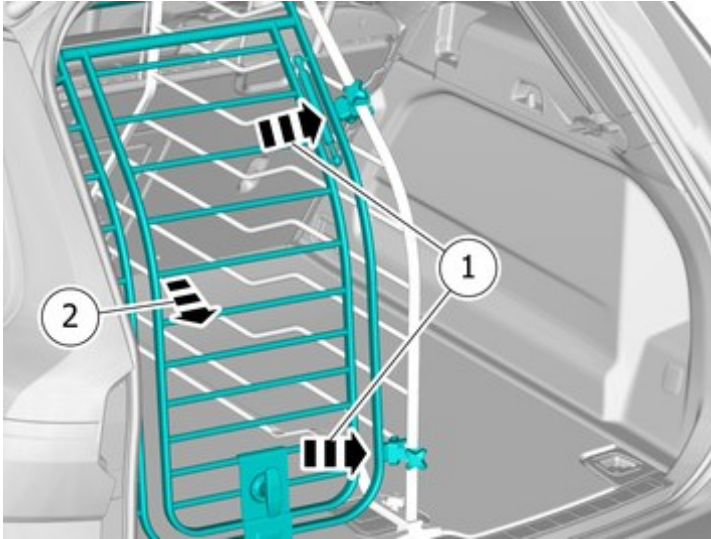
IMG-473607



Installation instructions, accessories

Volvo Car Corporation Gothenburg, Sweden

11

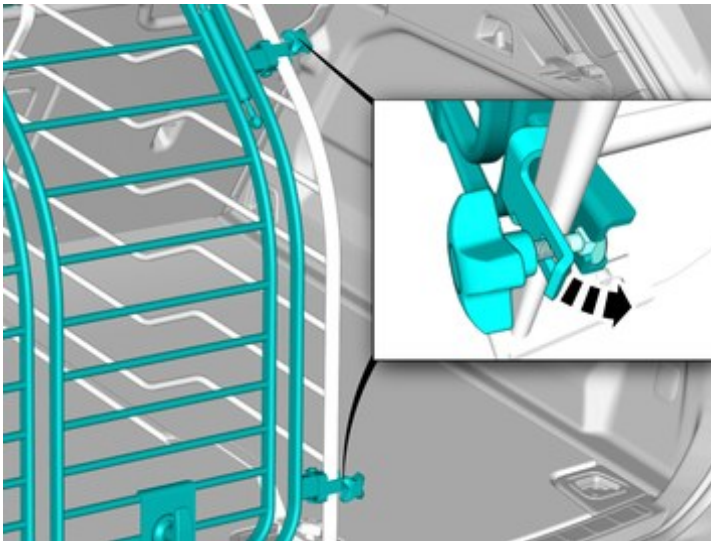


IMG-473623

Caution!

Make sure not to damage painted surfaces.

12



IMG-473624

Note!

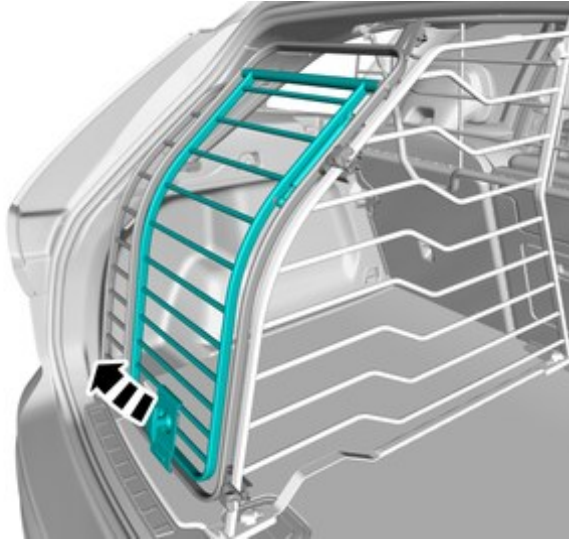
Do not fully tighten the nuts yet.



Installation instructions, accessories

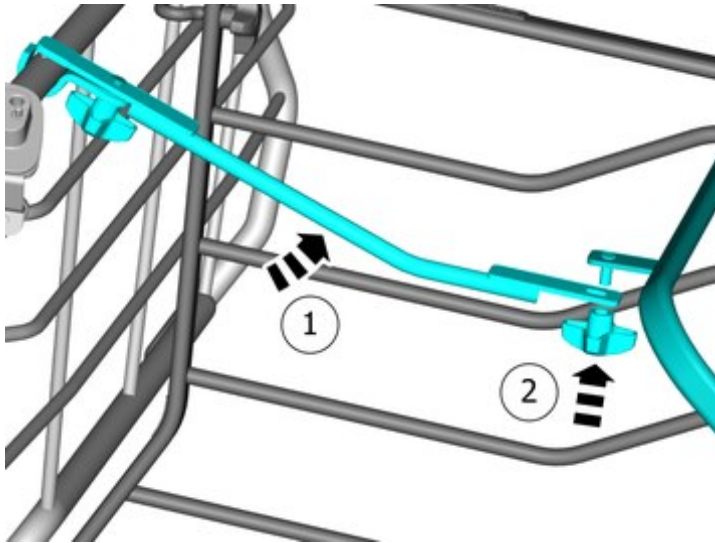
Volvo Car Corporation Gothenburg, Sweden

13



IMG-473625

14



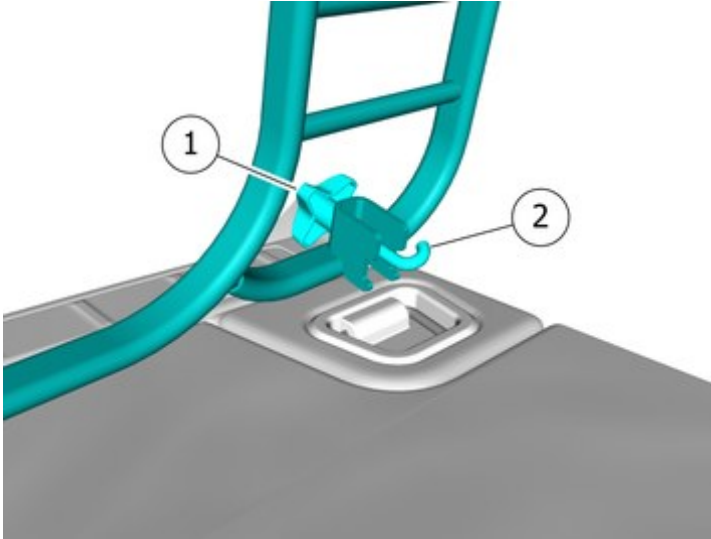
IMG-473645



Installation instructions, accessories

Volvo Car Corporation Gothenburg, Sweden

15

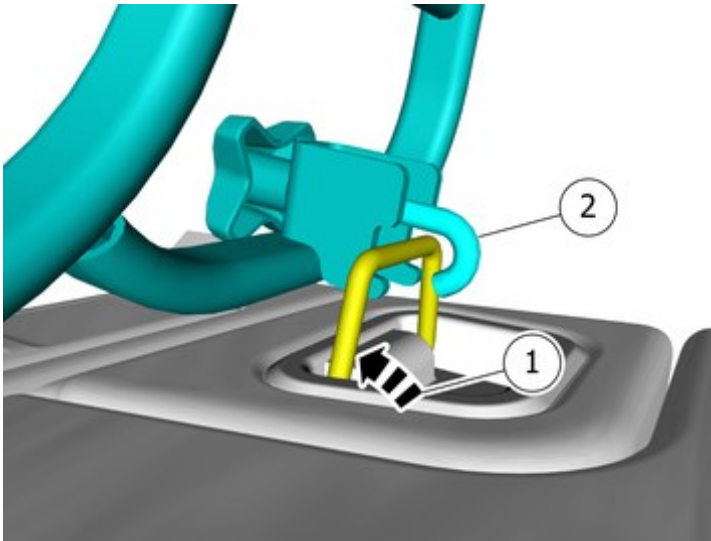


IMG-473685

Loosen the nut.

Place the component where indicated in the graphic.

16



IMG-473698

Place the component where indicated in the graphic.

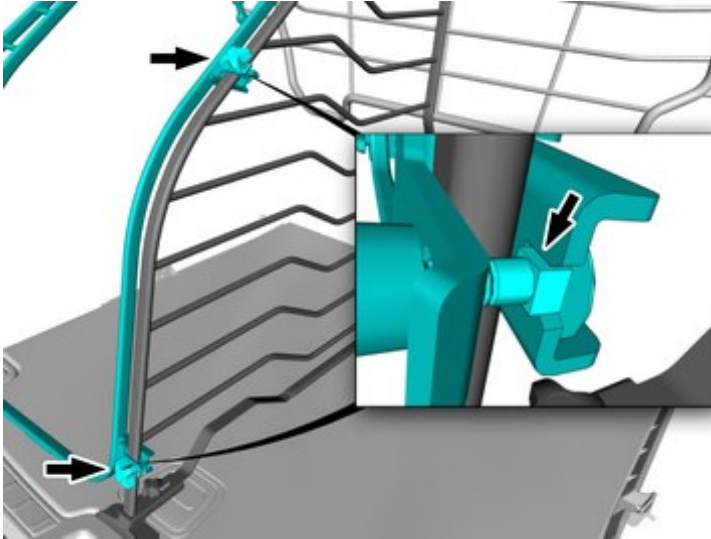
Install the hook.



Installation instructions, accessories

Volvo Car Corporation Gothenburg, Sweden

17



IMG-473730

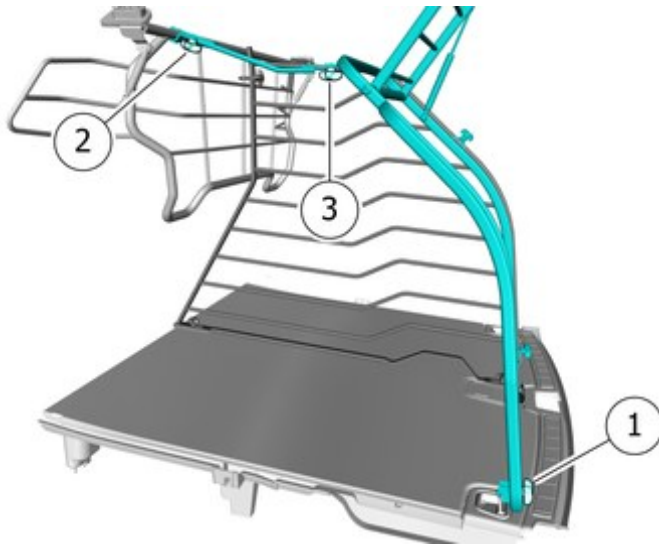
Caution!

Make sure that the component is positioned correctly.

Tighten the nuts.

Use hands only.

18



IMG-473737

Note!

Make sure to follow the sequence indicated.

Tighten the nuts.

Use hands only.