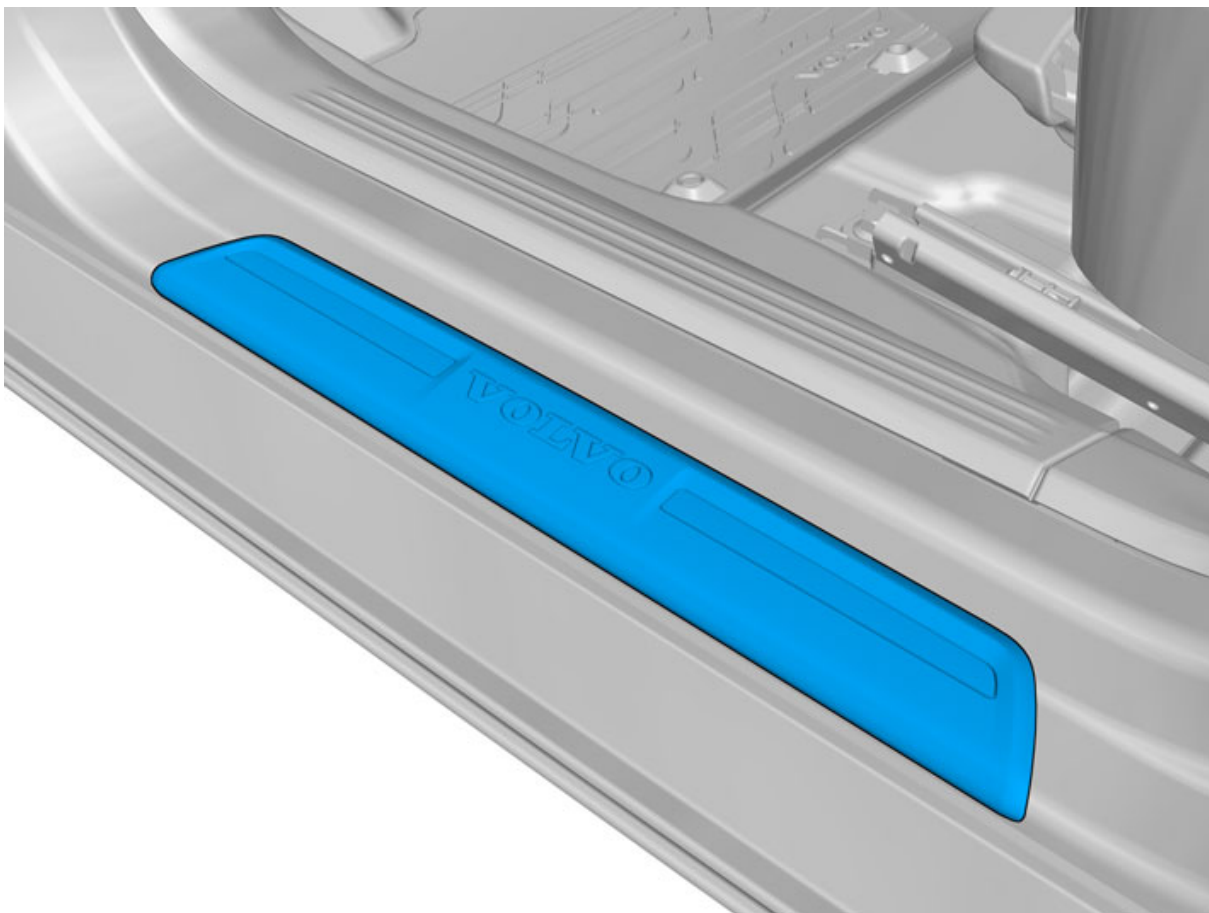


Installation instructions, accessories

Volvo Car Corporation Gothenburg, Sweden

Instruction No 31363050 **Version** 1.1 **Part. No.** 31363039

Sill molding

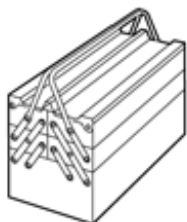


IMG-363297

Materials

Designation	Part number
Isopropanol	1161721

Equipment



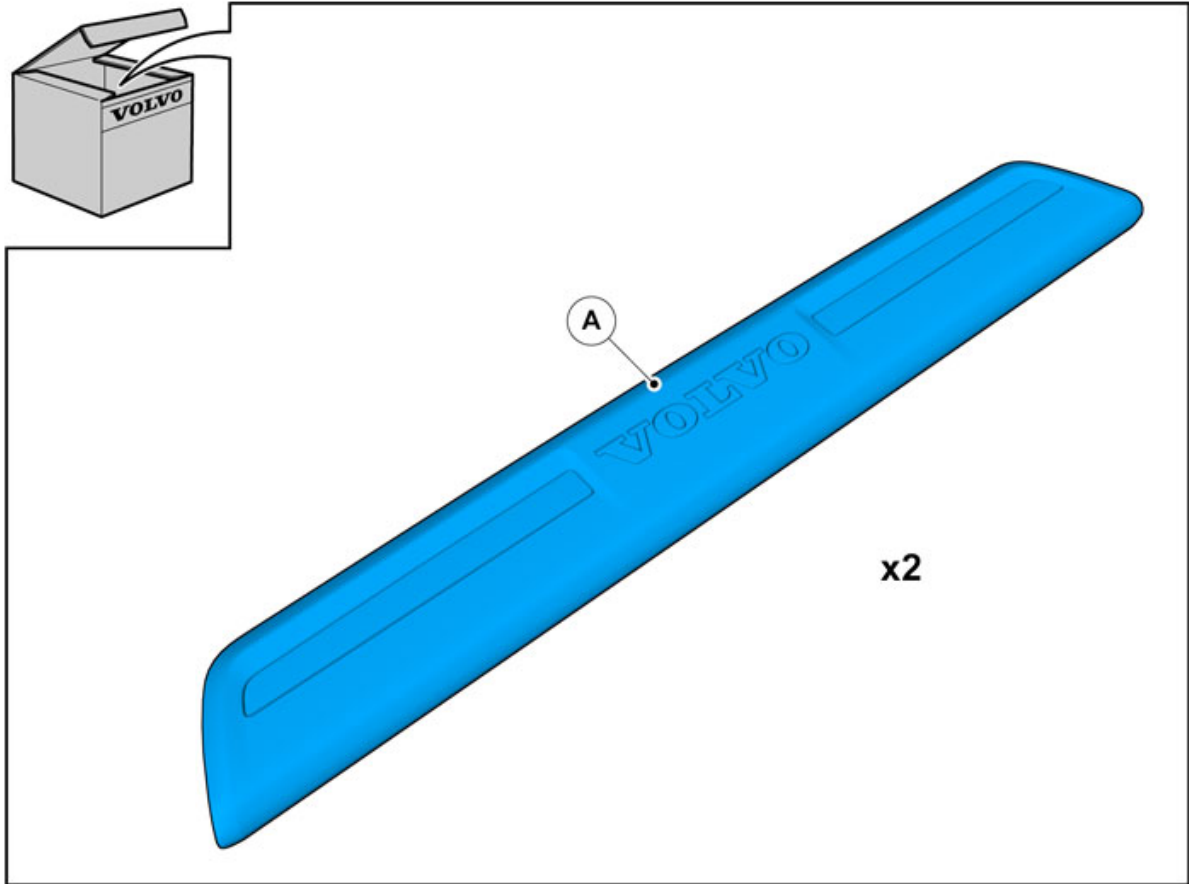
IMG-345497



IMG-332314

Installation instructions, accessories

Volvo Car Corporation Gothenburg, Sweden



IMG-363298

Installation instructions, accessories

Volvo Car Corporation Gothenburg, Sweden

Information

1

Read through all of the instructions before starting installation.

Notifications and warning texts are for your safety and to minimise the risk of something breaking during installation.

Ensure that all tools stated in the instructions are available before starting installation.

Certain steps in the instructions are only presented in the form of images. Explanatory text is also given for more complicated steps.

In the event of any problems with the instructions or the accessory, contact your local Volvo dealer.

Color symbols

2



IMG-363036

Note!

This colour chart displays (in colour print and electronic version) the importance of the different colours used in the images of the method steps.

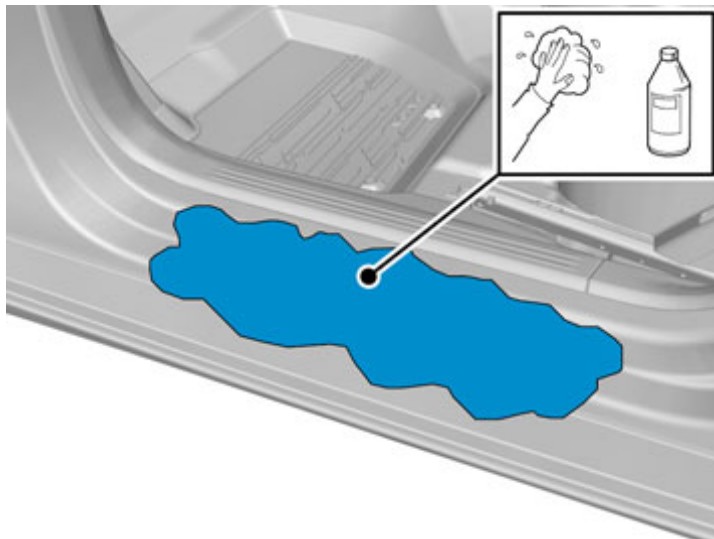
1. Used for focused component, the component with which you will do something.
 2. Used as extra colors when you need to show or differentiate additional parts.
 3. Used for attachments that are to be removed/installed. May be screws, clips, connectors, etc.
 4. Used when the component is not fully removed from the vehicle but only hung to the side.
 5. Used for standard tools and special tools.
 6. Used as background color for vehicle components.
-

Accessory installation

Installation instructions, accessories

Volvo Car Corporation Gothenburg, Sweden

3



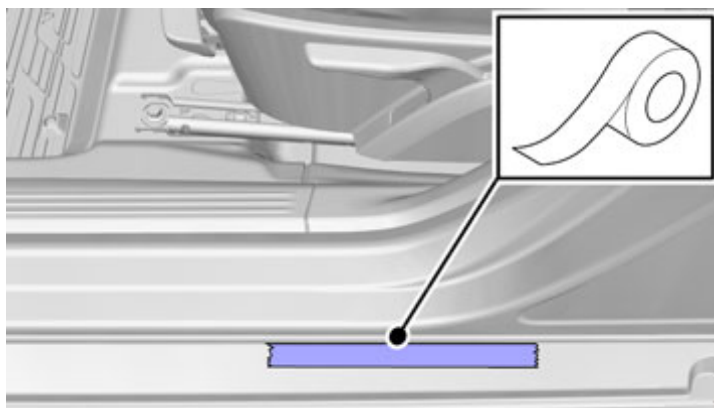
IMG-363301

Clean the surface.

Use: 1161721, Isopropanol

Allow to dry.

4



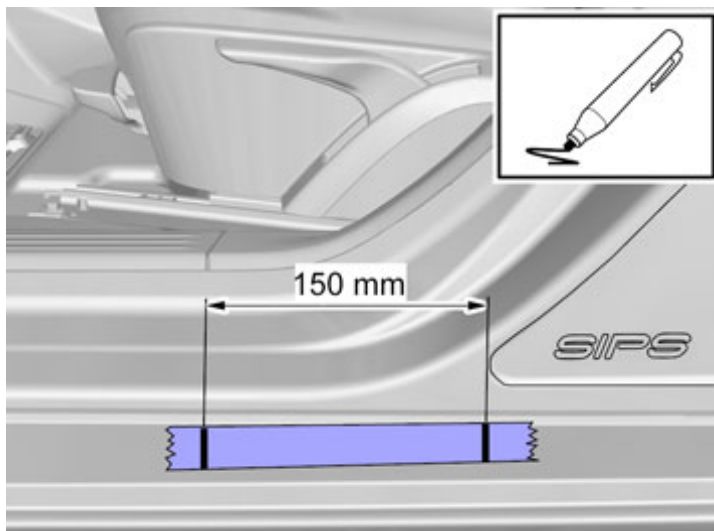
IMG-363311

Use appropriate tape to mark the position.

Installation instructions, accessories

Volvo Car Corporation Gothenburg, Sweden

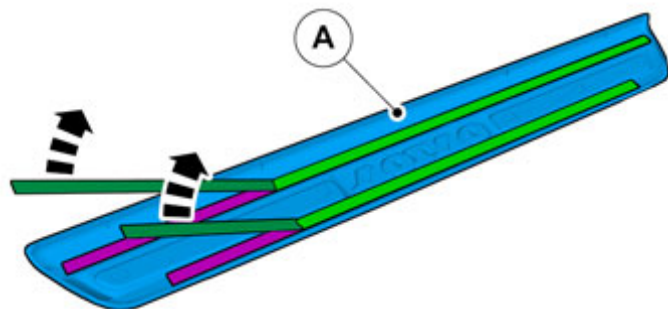
5



IMG-363334

Measure and mark as illustrated.

6

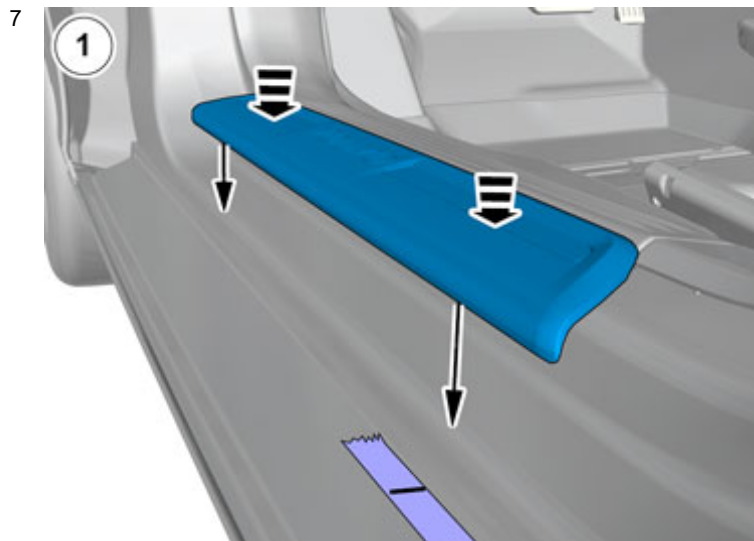


IMG-363306

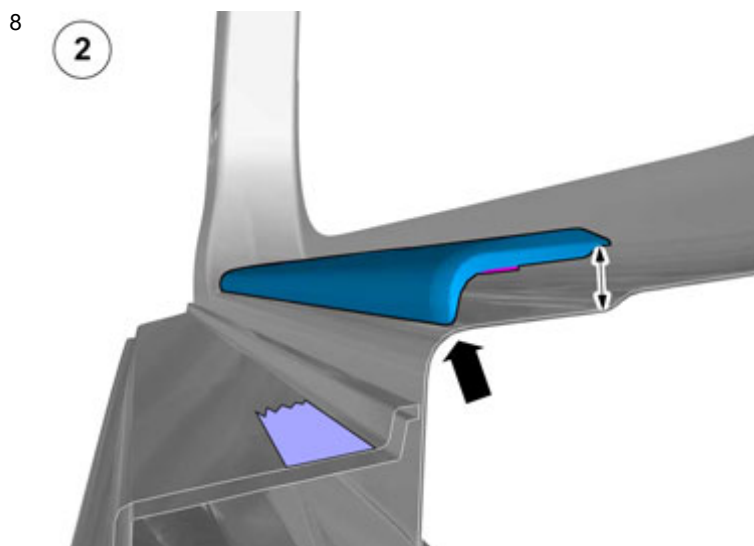
Remove the protective film.

Installation instructions, accessories

Volvo Car Corporation Gothenburg, Sweden



IMG-363467

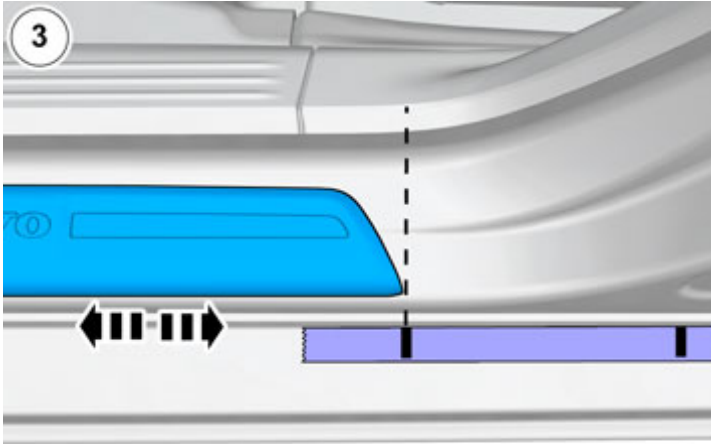


IMG-363471

Installation instructions, accessories

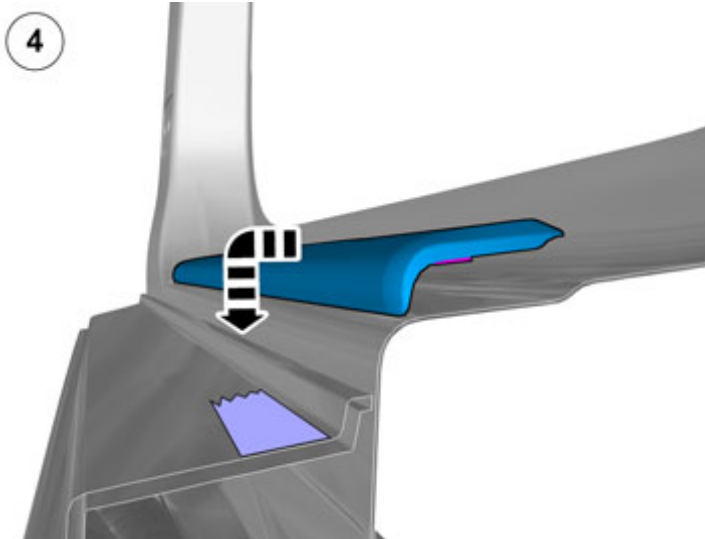
Volvo Car Corporation Gothenburg, Sweden

9



IMG-363476

10



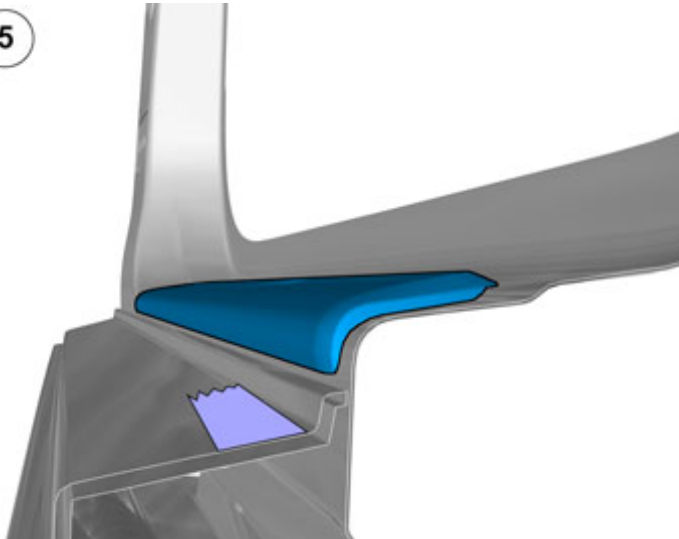
IMG-363477

Installation instructions, accessories

Volvo Car Corporation Gothenburg, Sweden

11

5



IMG-363478

12

6



IMG-363479

Caution!

Make sure that equal pressure is applied to the full length of the component.

Remove the tape.

Repeat all method steps for the other side.