



Installation instructions, accessories

Volvo Car Corporation Gothenburg, Sweden

Instruction No	Version	Part. No.
30721601	1.1	30721709

Bag holder, cargo compartment, parcel shelf



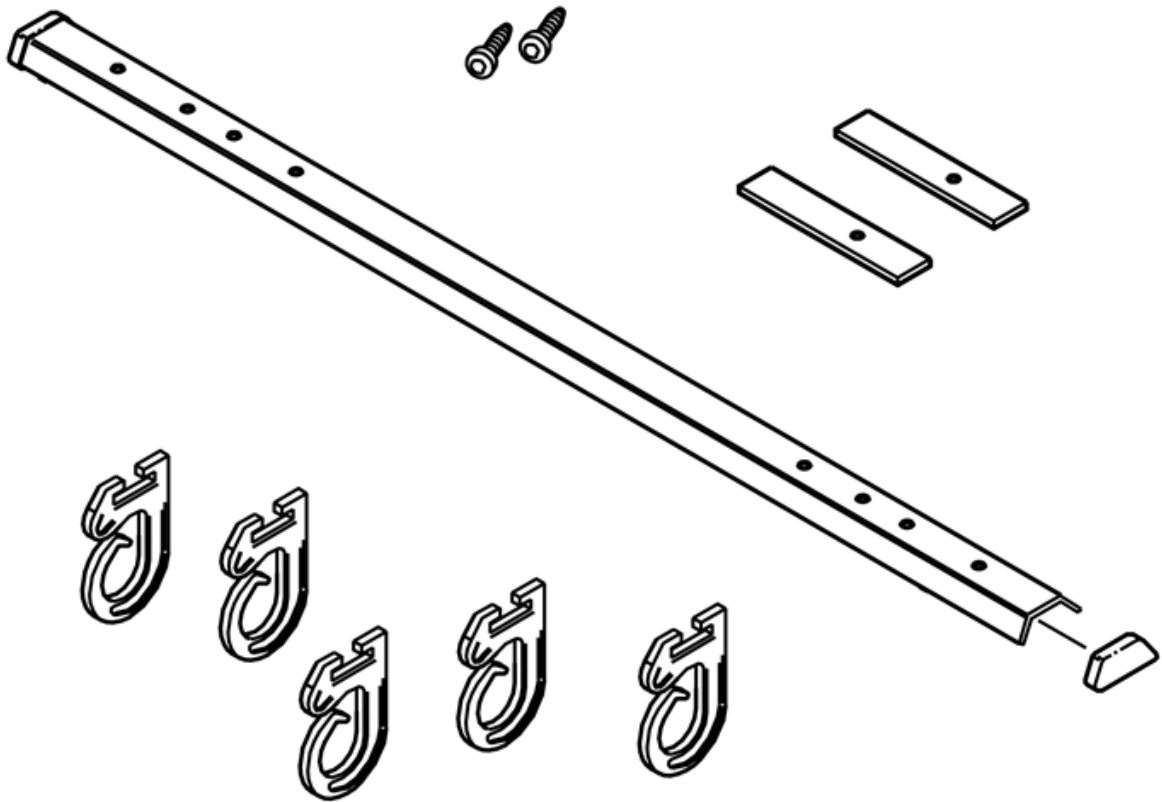
Installation instructions, accessories

Volvo Car Corporation Gothenburg, Sweden

Equipment



A0000162



IMG-216281



Installation instructions, accessories

Volvo Car Corporation Gothenburg, Sweden

Any comments on this publication? Please contact your nearest retailer. Thank You!

Publ.no:	Issue:	Kit no:
Comments:.....		
.....		
.....		
.....		

From:	
Address:	
Telephone:	
Telefax:	

IMG-213320



Installation instructions, accessories

Volvo Car Corporation Gothenburg, Sweden

INTRODUCTION

Read through all of the instructions before starting installation.

Notifications and warning texts are for your safety and to minimise the risk of something breaking during installation.

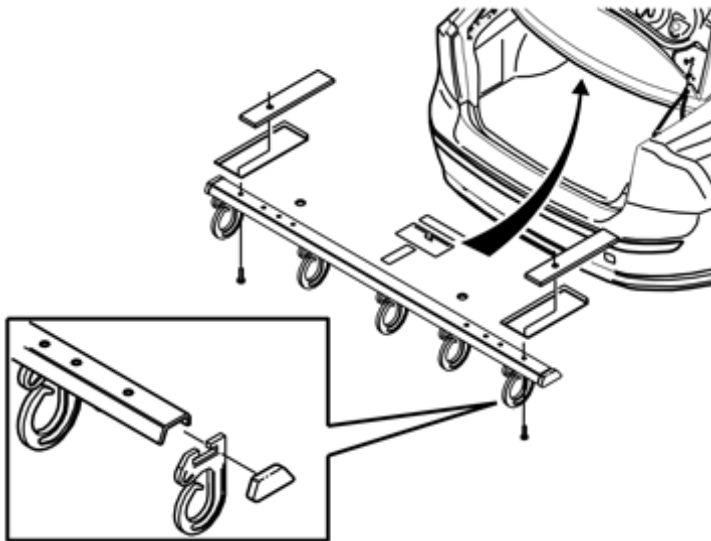
Ensure that all tools stated in the instructions are available before starting installation.

Certain steps in the instructions are only presented in the form of images. Explanatory text is also given for more complicated steps.

In the event of any problems with the instructions or the accessory, contact your local Volvo dealer.

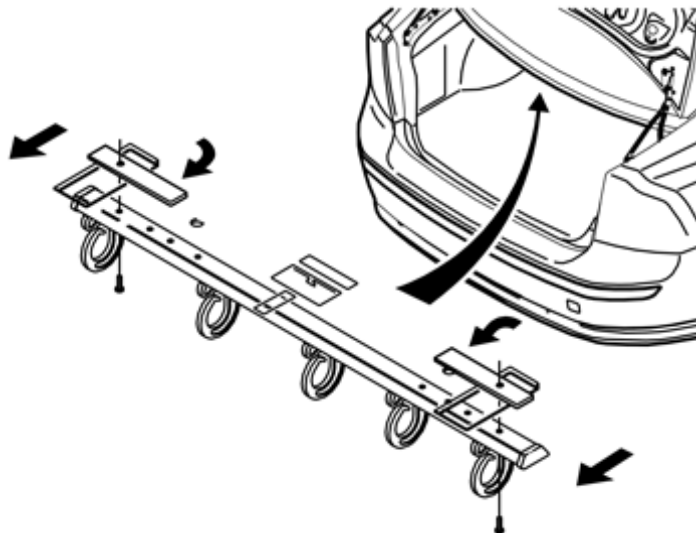
Applies to S40 (04-)

1A



IMG-216282

1B



IMG-216283

Applies to S40 (04-)

Illustration A

Take the rail, the hooks and the end stop from the kit

Thread the hooks onto the rail. Insert the end stop

Take the two mounting plates and the screws from the kit

Mount the plates in the outer holes of the rails. Use the screws. The long section of the mounting plate must point forwards

Lift the rail. Insert the mounting plates in the two large rectangular holes on the underside of the parcel shelf.

Illustration B

Turn the mounting plates 90°, so that the long section points inwards in the car and is over the edge of the holes in the parcel shelf

Slide the rail to the rear edge of the rectangular holes. Check that no wiring is trapped on the upper side of the parcel shelf. Tighten the rail to the parcel shelf.

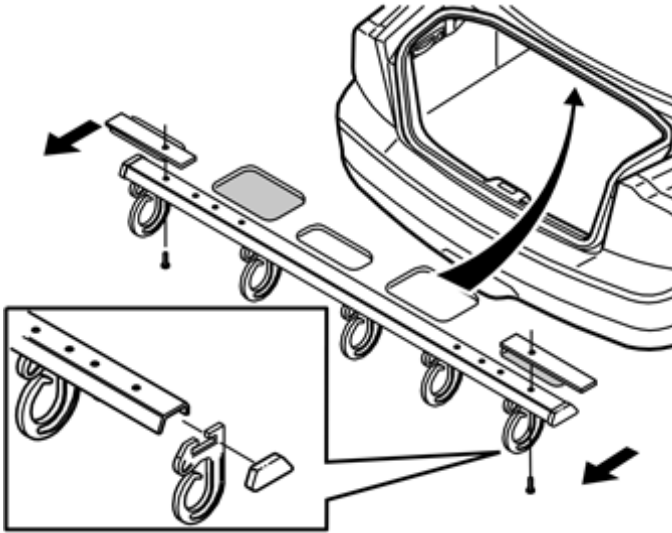


Installation instructions, accessories

Volvo Car Corporation Gothenburg, Sweden

Applies to the S60

2



IMG-216284

Applies to the S60

Take the rail, the hooks and the end stop from the kit

Thread the hooks onto the rail. Insert the end stop

Take the two mounting plates and the screws from the kit

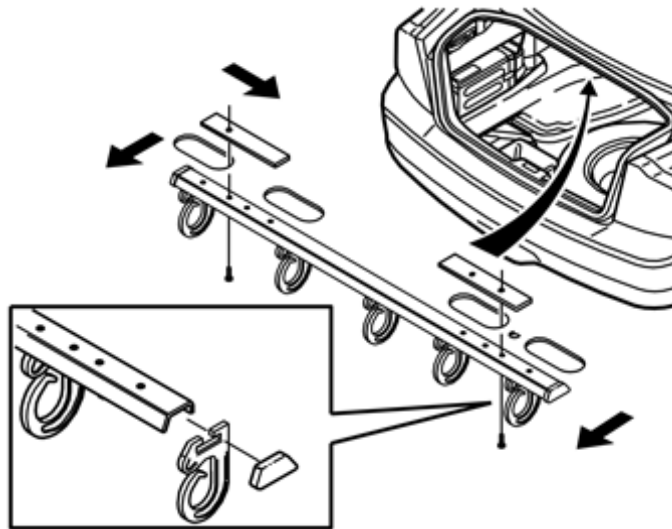
Mount the plates in the outer holes of the rails. Use the screws. The long section of the mounting plate must point outwards

Lift the rail. Insert the mounting plates in the two outer holes on the underside of the parcel shelf

Centre the mounting plates over the holes. Pull the rail backwards to the rear edge of the holes. Secure the rail using the two screws.

Applies to the S80 (-06)

3



IMG-216285

Applies to the S80 (-06)

Take the rail, the hooks and the end stop from the kit

Thread the hooks onto the rail. Insert the end stop

Take the two mounting plates and the screws from the kit

Mount the plates in the rail's penultimate holes. Use the screws. The long section of the mounting plate must point inwards.

Lift the rail. Slide the left-hand mounting plate into the left-hand hole on the underside of the parcel shelf. Then slide the right-hand mounting plate into the hole second from the right

Slide the rail as far to the right as possible so that the mounting plates are over the panel surfaces between the holes. Pull the rail backwards to the rear edge of the holes. Secure the rail using the two screws.

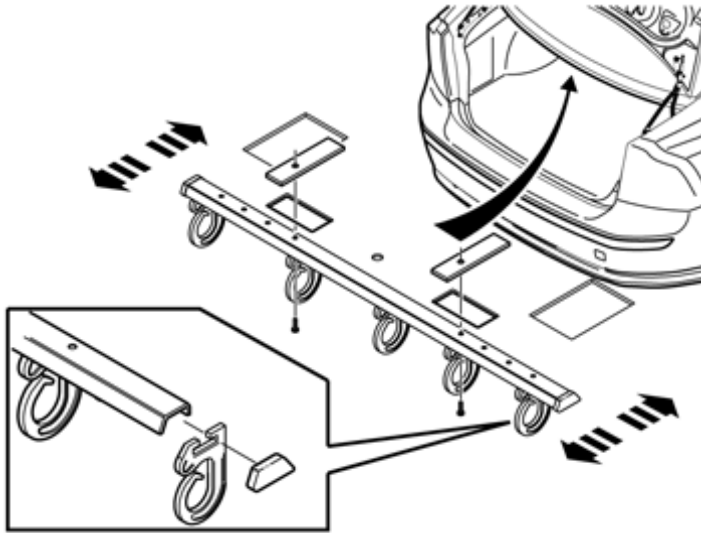
Applies to the S80 (07-)



Installation instructions, accessories

Volvo Car Corporation Gothenburg, Sweden

4



IMG-267503

Applies to the S80 (07-)

Take the rail, the hooks and the end stop from the kit

Thread the hooks onto the rail. Insert the end stop

Take the two mounting plates and the screws from the kit

Mount the plates in the rail's inner holes. Use the screws. The long section of the mounting plate must point forwards in the car.

Lift up the rail and insert both mounting plates in the holes in the parcel shelf until the screws engage.

Now turn the plates so that they can be inserted into the holes.

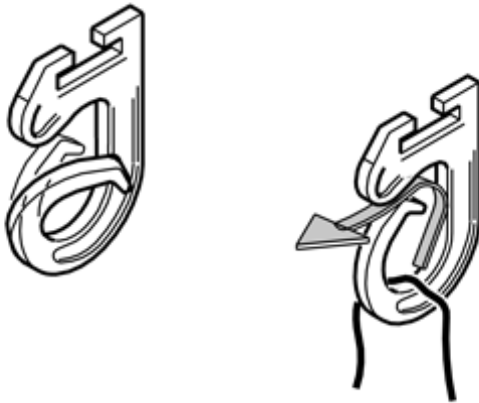
Pull the rail backwards towards the rear edge of the holes, until the screws engage.

The rear section of the plates may require lifting to go over insulation on top of the parcel shelf.

Tighten using the two screws.

Removal

5



A8901011

Removal

Carrier bags can be removed in two ways:

by carefully moving the hooks to one side

by lifting the handles for the carrier bags backwards, upwards and then forwards.