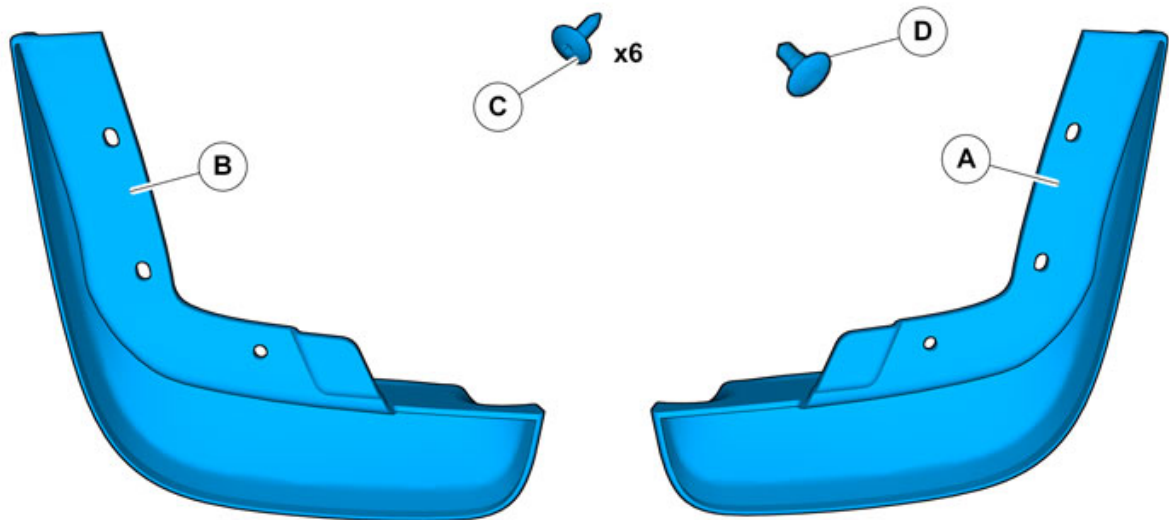


# Installation instructions, accessories

Volvo Car Corporation Gothenburg, Sweden

**Instruction No** 31399586  
**Version** 1.0  
**Part. No.** 30779759

## Mudflaps, front (Running board)



IMG-376777

# Installation instructions, accessories

Volvo Car Corporation Gothenburg, Sweden

---

## Information

---

1

Read through all of the instructions before starting installation.

Notifications and warning texts are for your safety and to minimise the risk of something breaking during installation.

Ensure that all tools stated in the instructions are available before starting installation.

Certain steps in the instructions are only presented in the form of images. Explanatory text is also given for more complicated steps.

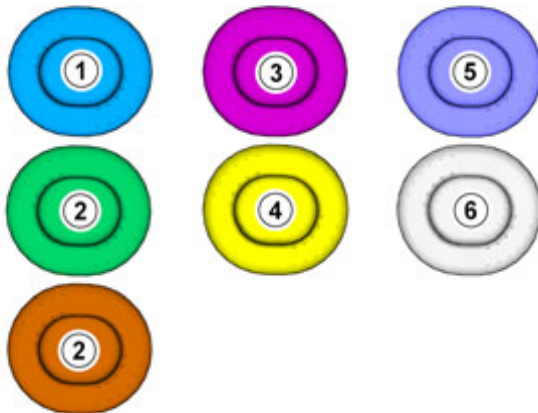
In the event of any problems with the instructions or the accessory, contact your local Volvo dealer.

---

## Color symbols

---

2



IMG-363036

### Note!

This colour chart displays (in colour print and electronic version) the importance of the different colours used in the images of the method steps.

1. Used for focused component, the component with which you will do something.
  2. Used as extra colors when you need to show or differentiate additional parts.
  3. Used for attachments that are to be removed/installed. May be screws, clips, connectors, etc.
  4. Used when the component is not fully removed from the vehicle but only hung to the side.
  5. Used for standard tools and special tools.
  6. Used as background color for vehicle components.
- 

## Removal

---

# Installation instructions, accessories

Volvo Car Corporation Gothenburg, Sweden

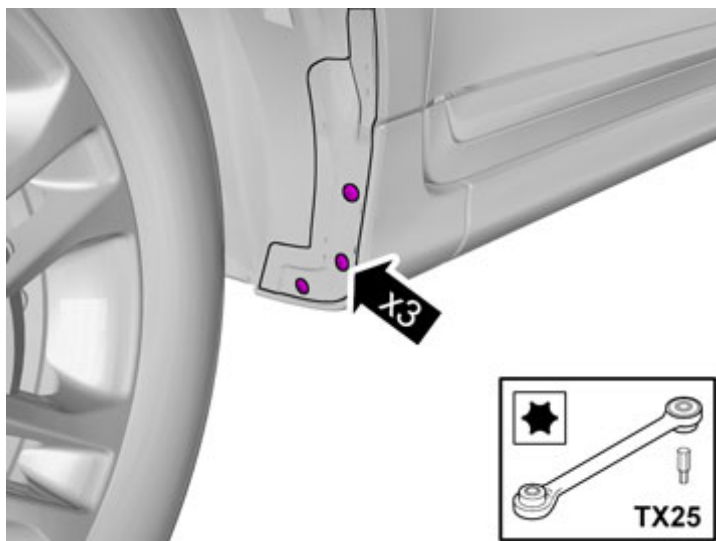
3



Turn the wheel inwards.

IMG-376647

4



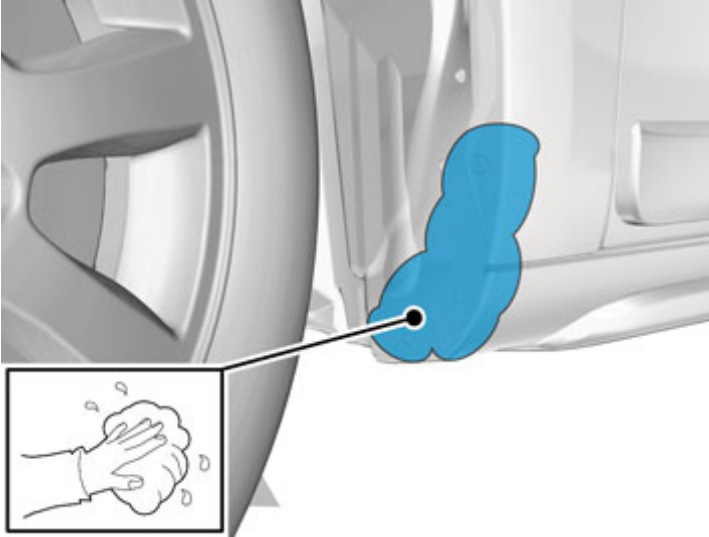
Remove the screws.

IMG-376640

# Installation instructions, accessories

Volvo Car Corporation Gothenburg, Sweden

5

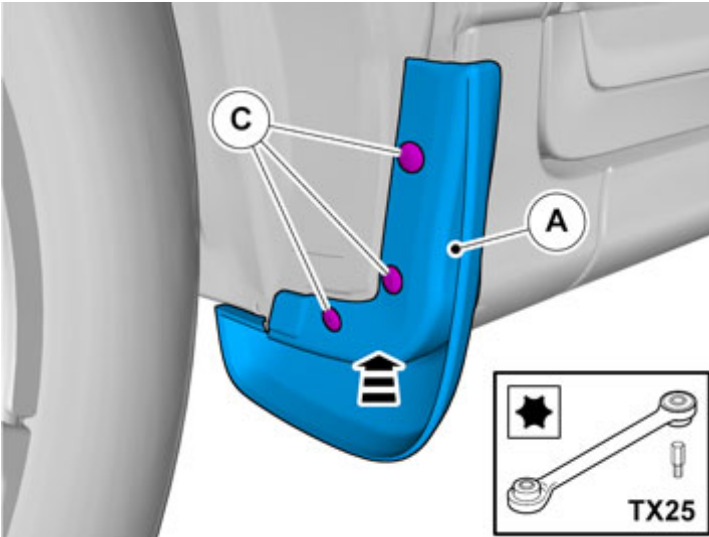


IMG-340358

Clean the surface.

Wipe dry.

6



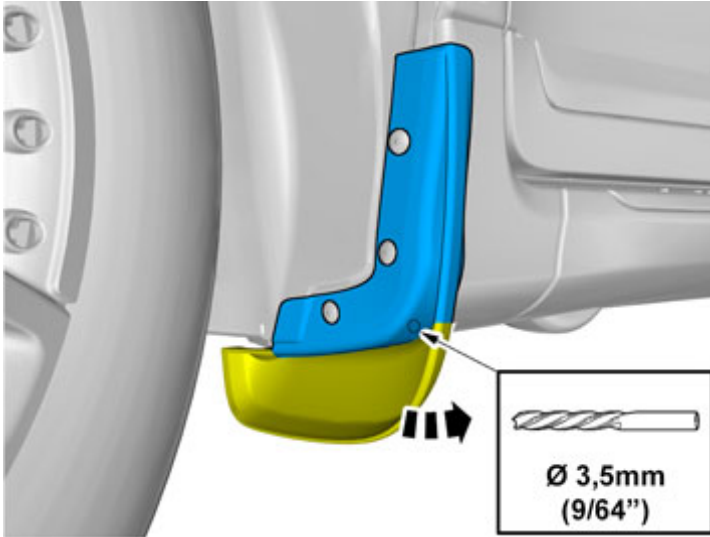
IMG-376643

Install component that comes with the accessory kit.

# Installation instructions, accessories

Volvo Car Corporation Gothenburg, Sweden

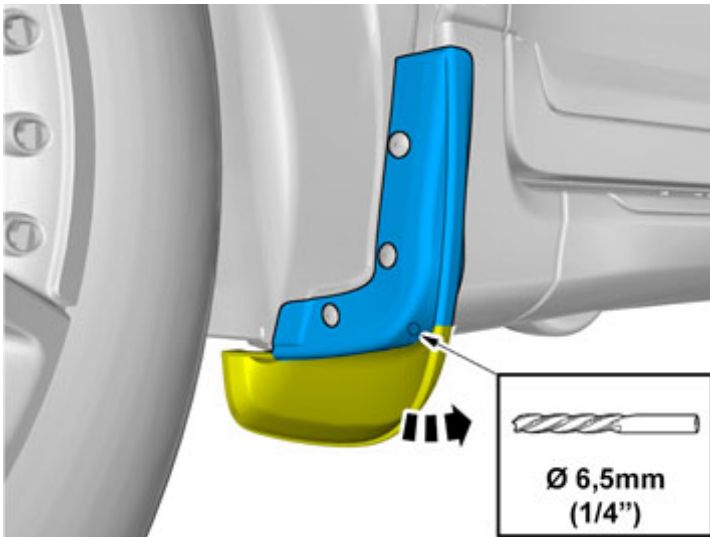
7



IMG-376774

Drill the holes.

8



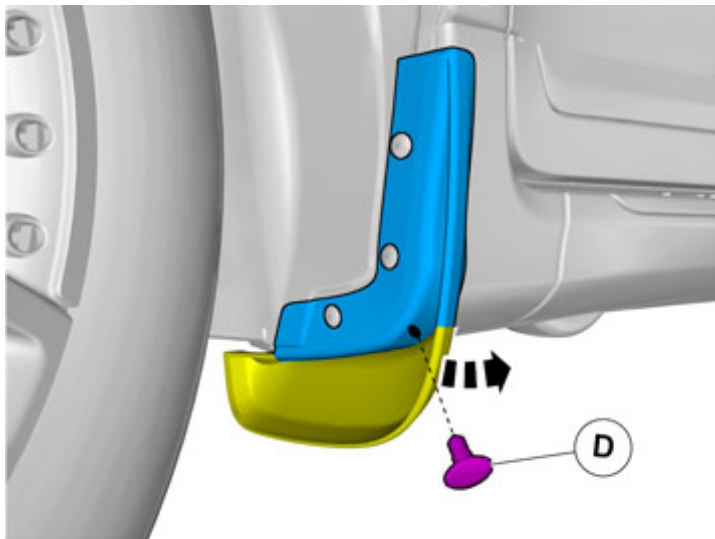
IMG-376775

Drill the holes.

# Installation instructions, accessories

Volvo Car Corporation Gothenburg, Sweden

9



IMG-376776

Install the clip(s).

Repeat all method steps for the other side.