



Installation instructions, accessories

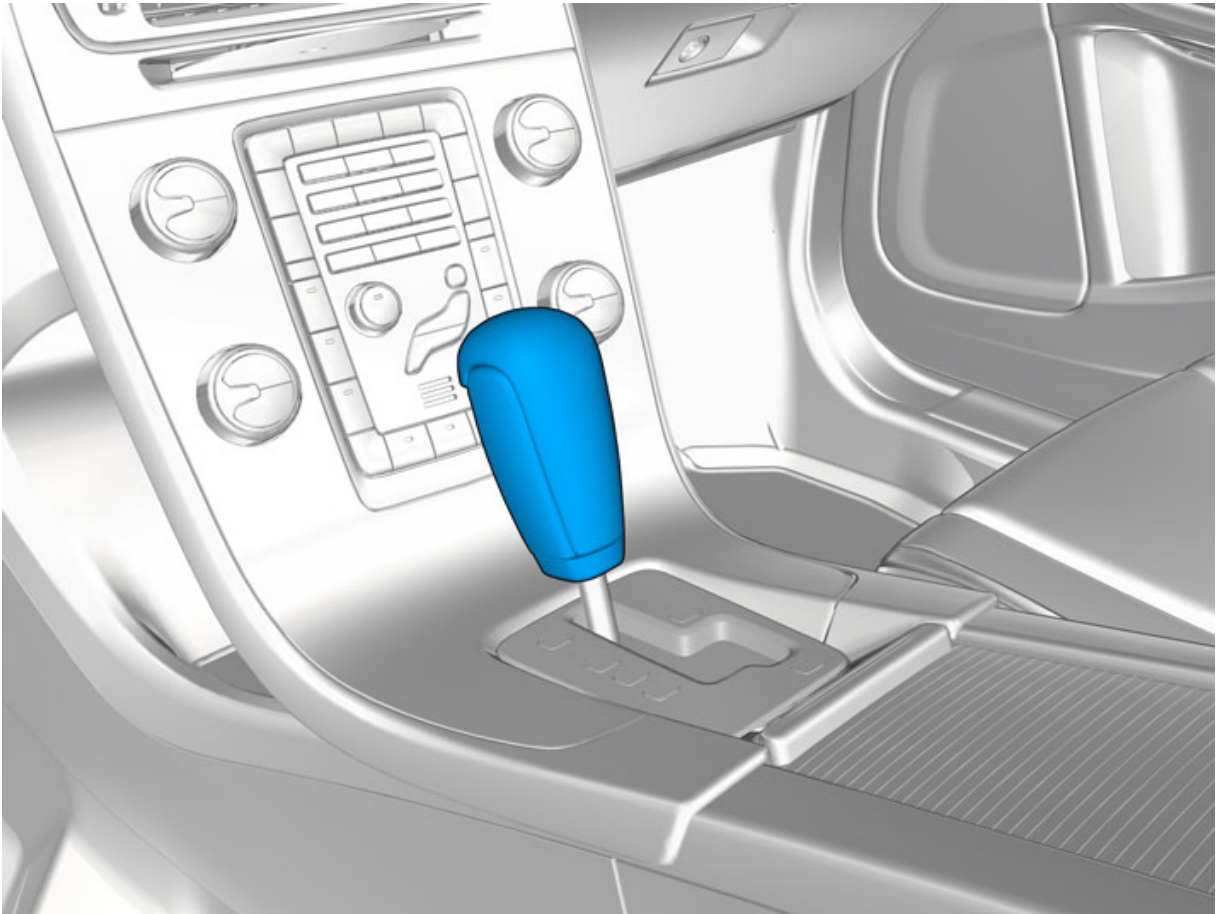
Volvo Car Corporation Gothenburg, Sweden

Instruction No
31316118

Version
1.1

Part. No.
30756901, 30756902

Gear shift knob, leather with wood inlay



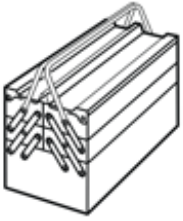
IMG-339539



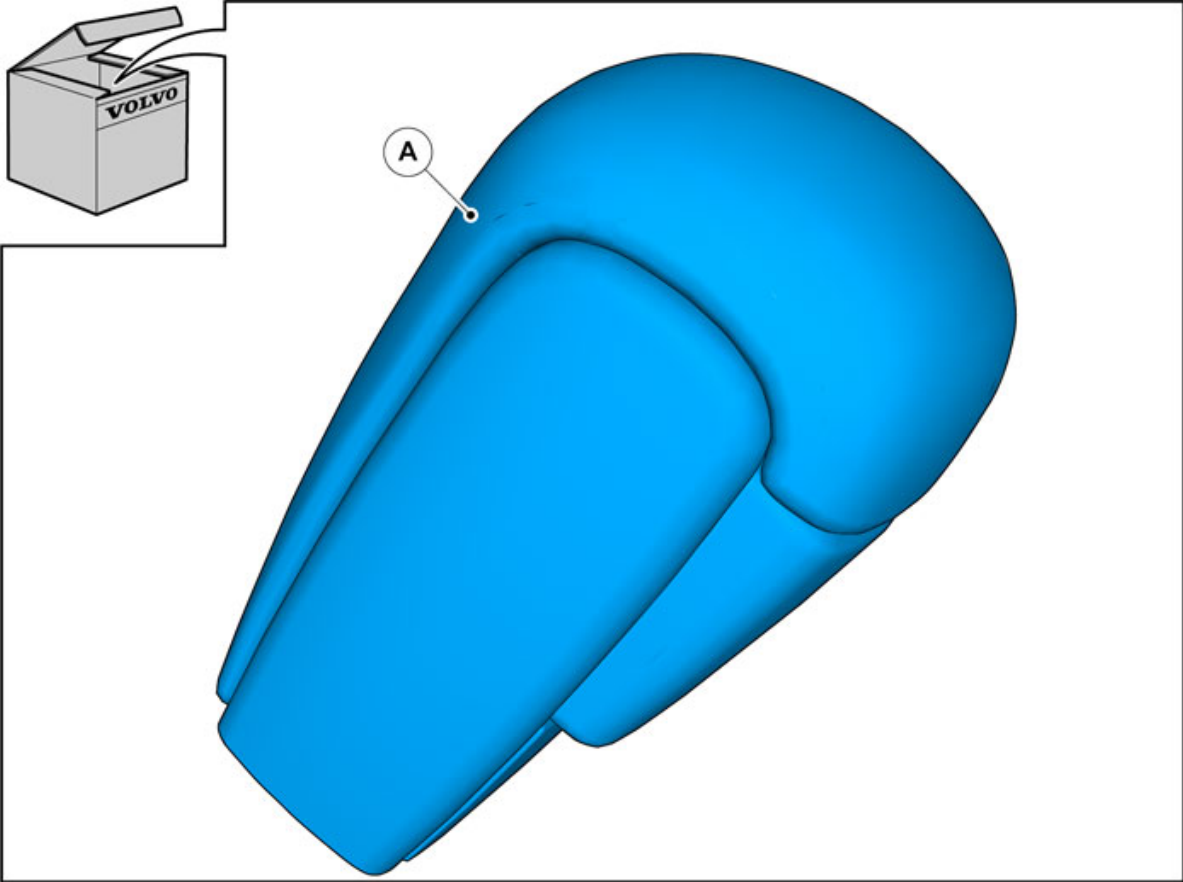
Installation instructions, accessories

Volvo Car Corporation Gothenburg, Sweden

Equipment



A0000162



IMG-339540



Installation instructions, accessories

Volvo Car Corporation Gothenburg, Sweden

INTRODUCTION

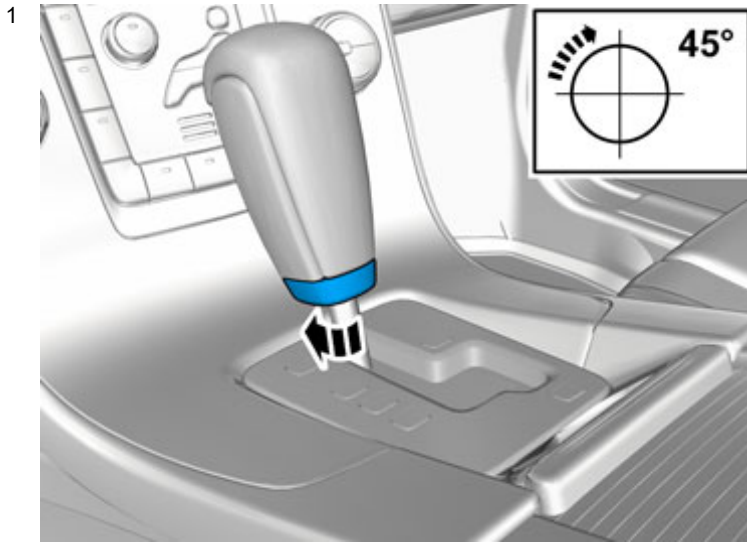
Read through all of the instructions before starting installation.

Notifications and warning texts are for your safety and to minimise the risk of something breaking during installation.

Ensure that all tools stated in the instructions are available before starting installation.

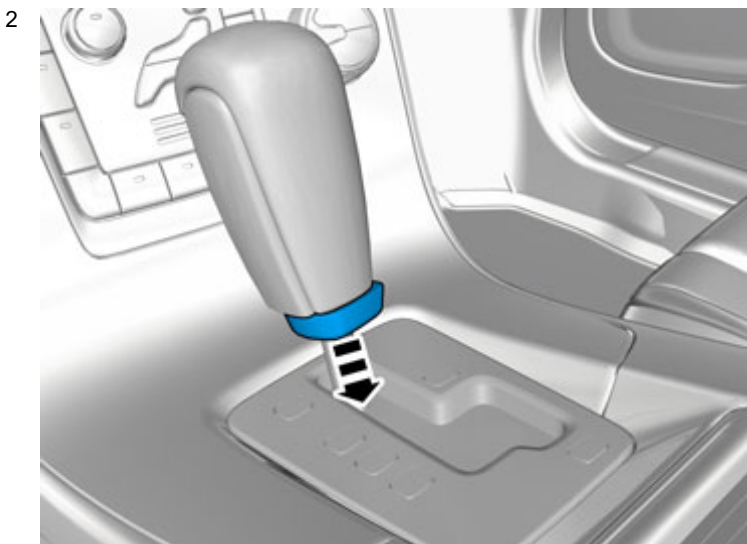
Certain steps in the instructions are only presented in the form of images. Explanatory text is also given for more complicated steps.

In the event of any problems with the instructions or the accessory, contact your local Volvo dealer.



Note!

Some steps in these installation instructions are presented with illustration only.

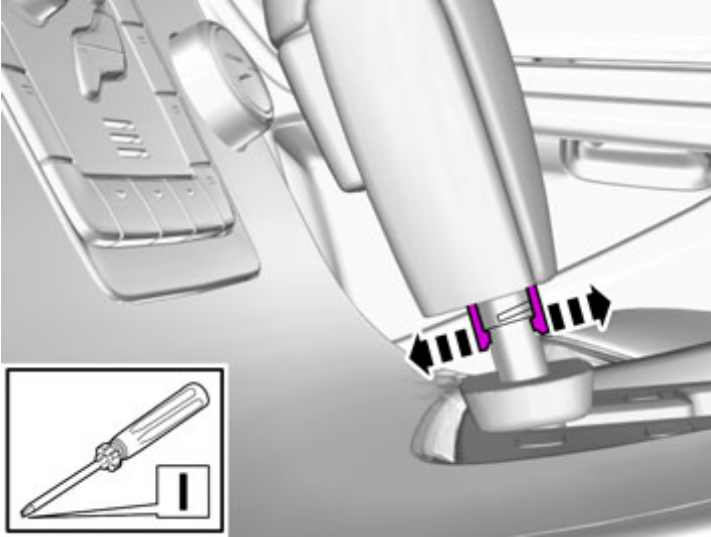




Installation instructions, accessories

Volvo Car Corporation Gothenburg, Sweden

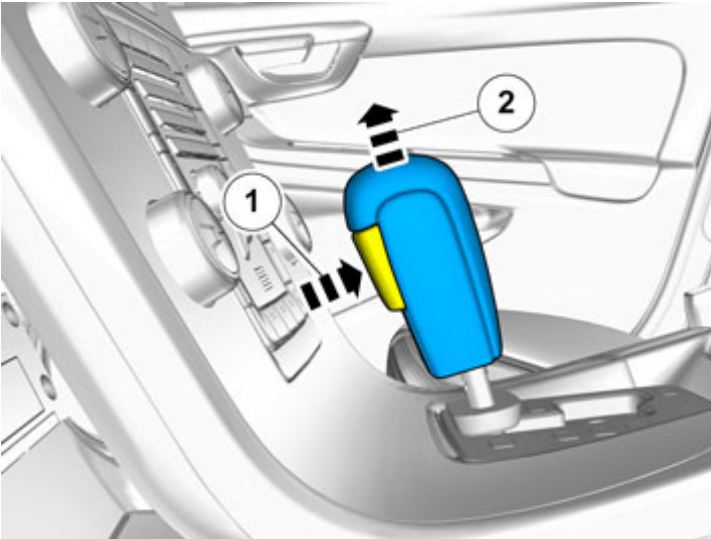
3



IMG-339554

Use: Electrician's screwdriver

4



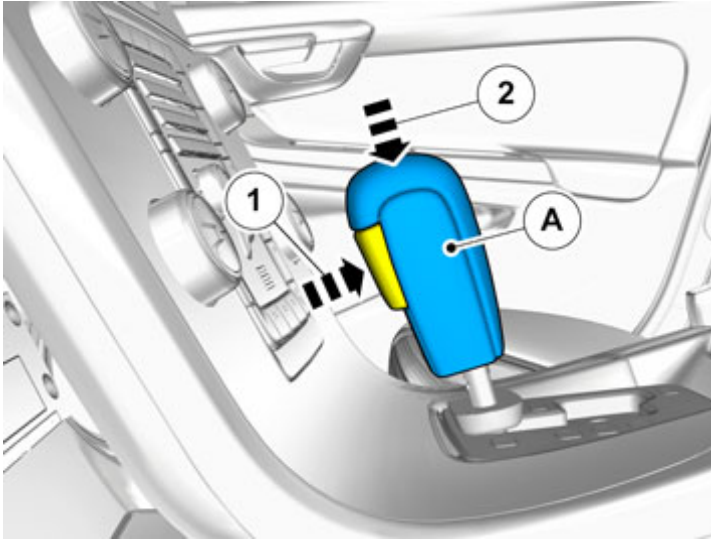
IMG-339555



Installation instructions, accessories

Volvo Car Corporation Gothenburg, Sweden

5

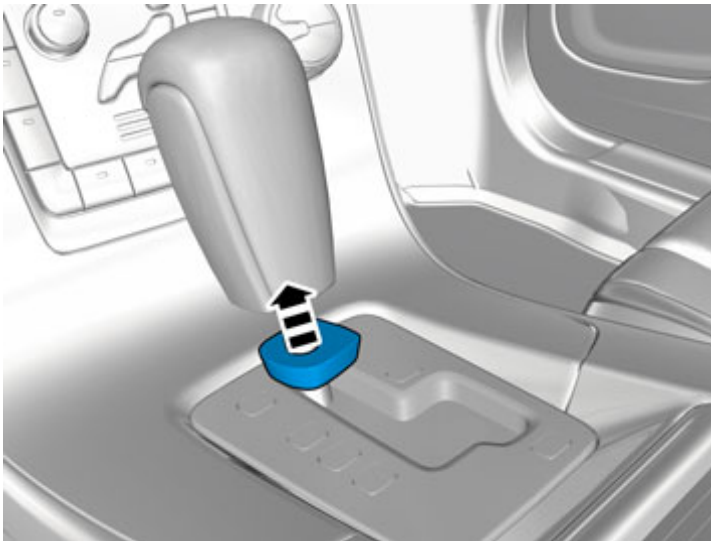


IMG-339556

Caution!

The catch must be held pushed in when installing. Press the knob down until the catches engage.

6



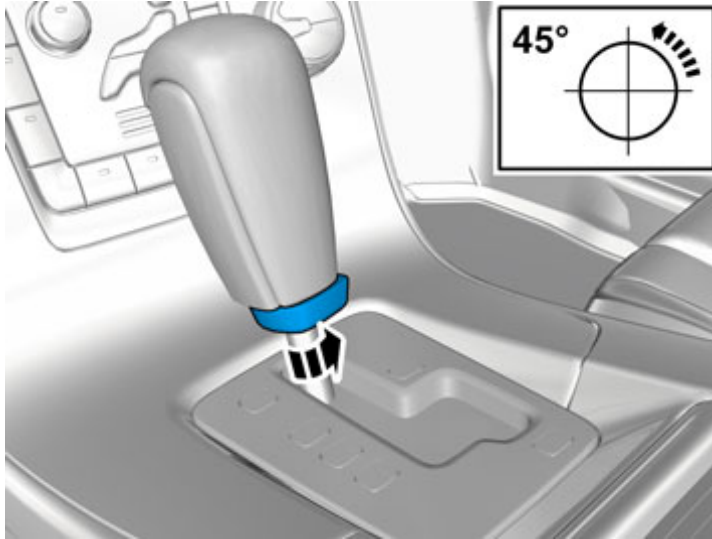
IMG-339557



Installation instructions, accessories

Volvo Car Corporation Gothenburg, Sweden

7



IMG-339558

Caution!

Check that the Shift-Lock function works.