



Installation instructions, accessories

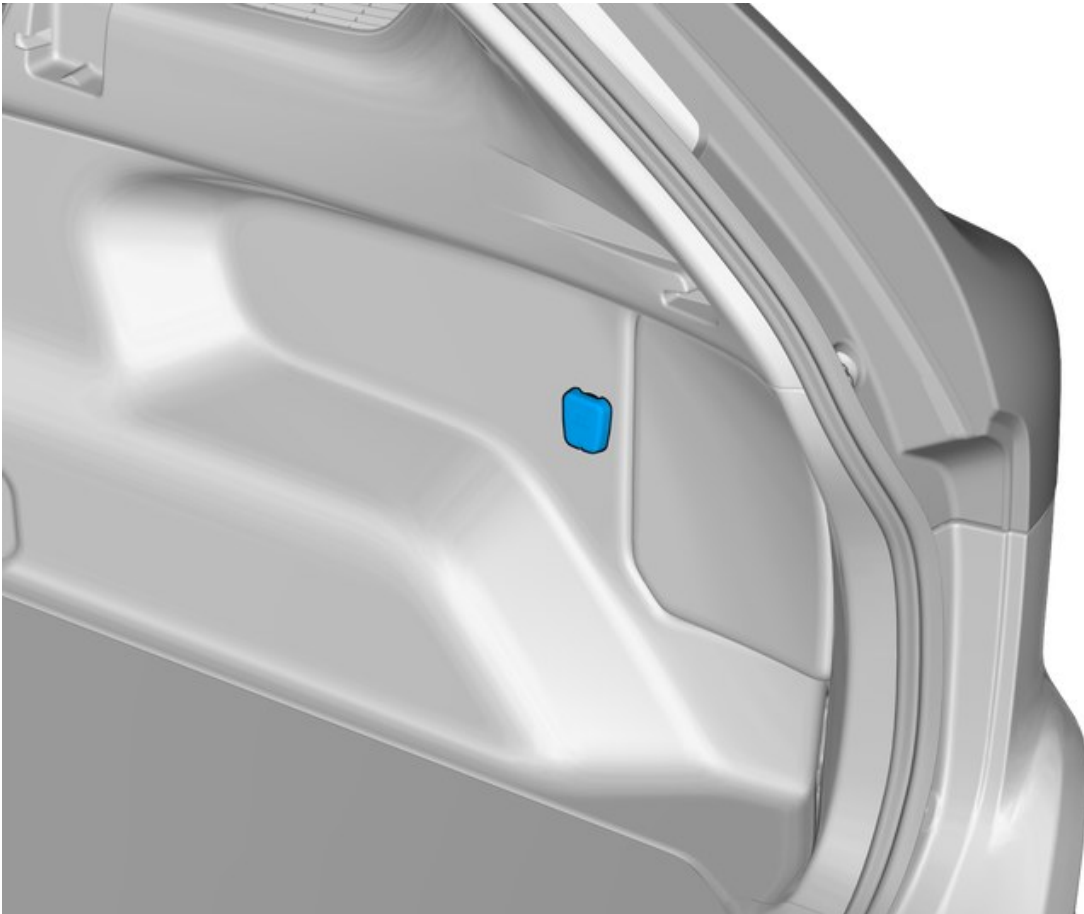
Volvo Car Corporation Gothenburg, Sweden

Instruction No
31439219

Version
1.0

Part. No.
31435603, 9452379, 31260562

Electrical socket, load compartment



IMG-391176



Installation instructions, accessories

Volvo Car Corporation Gothenburg, Sweden

Special tools

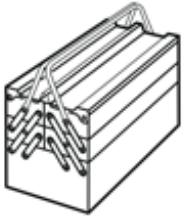
999 5919 PULLER (SEAL-PINION,CAM-CRANKSHAFT)B200-6304

Tool number:999 5919

Tool description:PULLER (SEAL-PINION,CAM-CRANKSHAFT)B200-6304

Tool boards:46

Equipment



A0000162

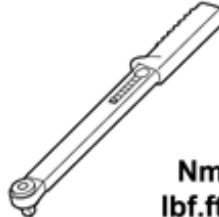


IMG-239660



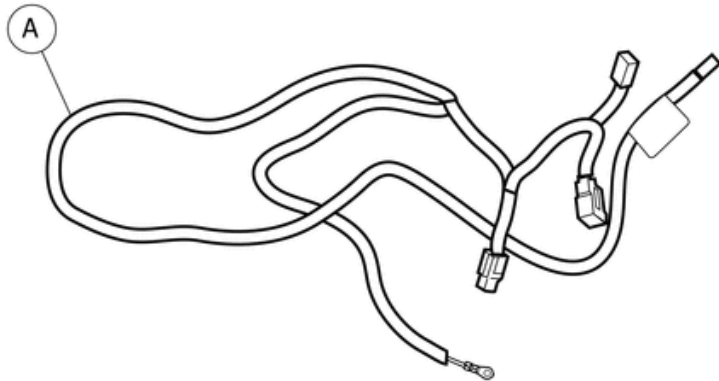
IMG-282889

27 mm

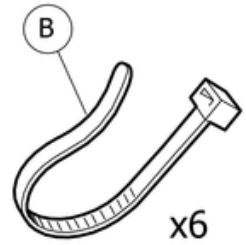


IMG-239664

Nm
lbf.ft

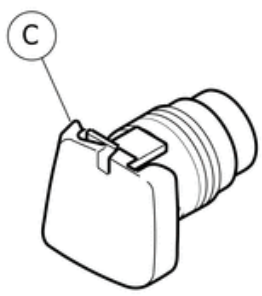


A



B

x6



C



D



E



F



G

IMG-390556



Installation instructions, accessories

Volvo Car Corporation Gothenburg, Sweden

Information

1

Read through all of the instructions before starting installation.

Notifications and warning texts are for your safety and to minimise the risk of something breaking during installation.

Ensure that all tools stated in the instructions are available before starting installation.

Certain steps in the instructions are only presented in the form of images. Explanatory text is also given for more complicated steps.

In the event of any problems with the instructions or the accessory, contact your local Volvo dealer.

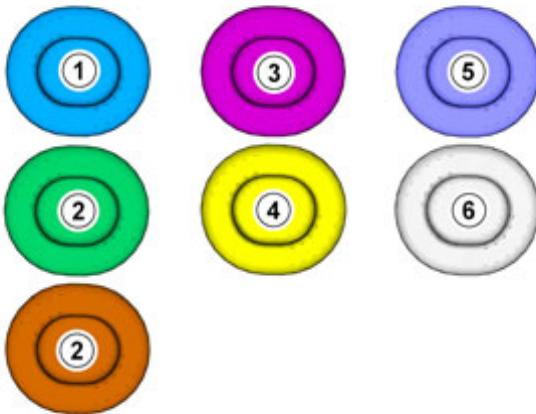
Further information

2

There may be parts in the accessories kit that are not needed for this installation.

Color symbols

3



IMG-363036

Note!

This colour chart displays (in colour print and electronic version) the importance of the different colours used in the images of the method steps.

1. Used for focused component, the component with which you will do something.
2. Used as extra colors when you need to show or differentiate additional parts.
3. Used for attachments that are to be removed/installed. May be screws, clips, connectors, etc.
4. Used when the component is not fully removed from the vehicle but only hung to the side.
5. Used for standard tools and special tools.
6. Used as background color for vehicle components.

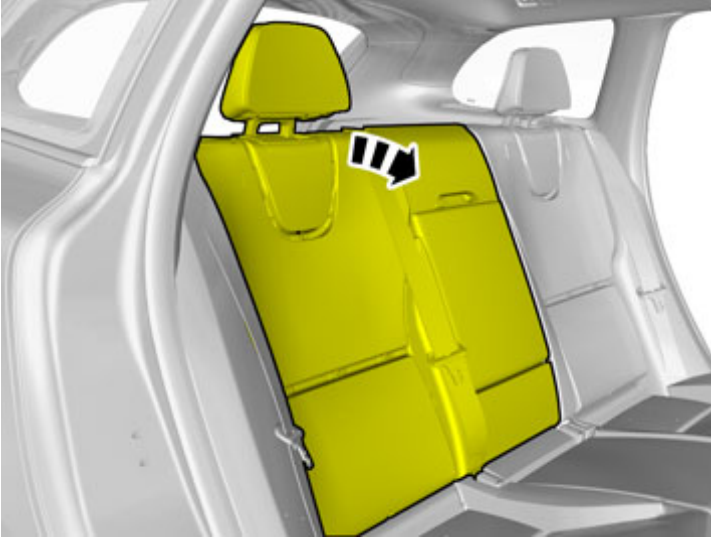
Removal



Installation instructions, accessories

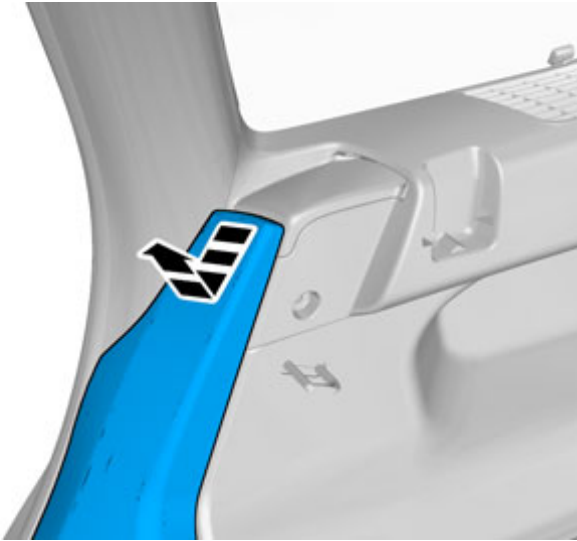
Volvo Car Corporation Gothenburg, Sweden

4



IMG-377298

5



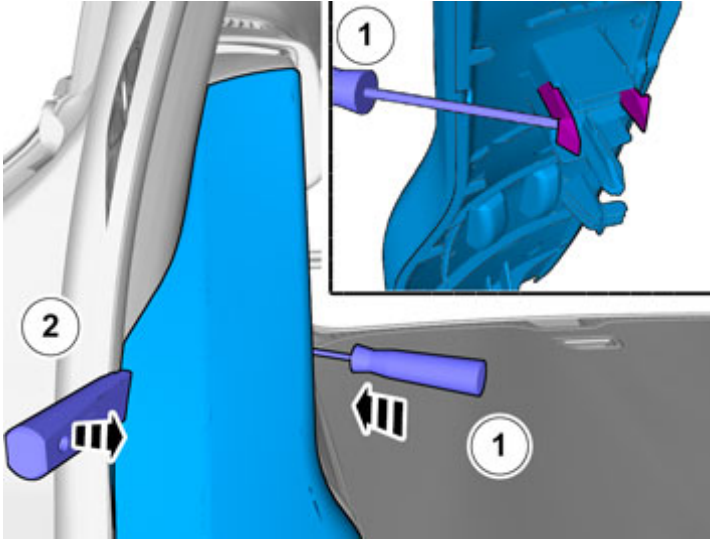
IMG-377299



Installation instructions, accessories

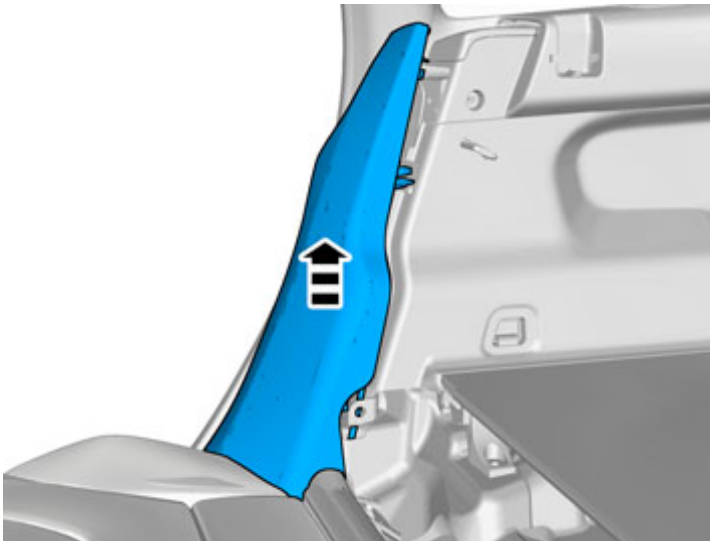
Volvo Car Corporation Gothenburg, Sweden

6



IMG-377300

7



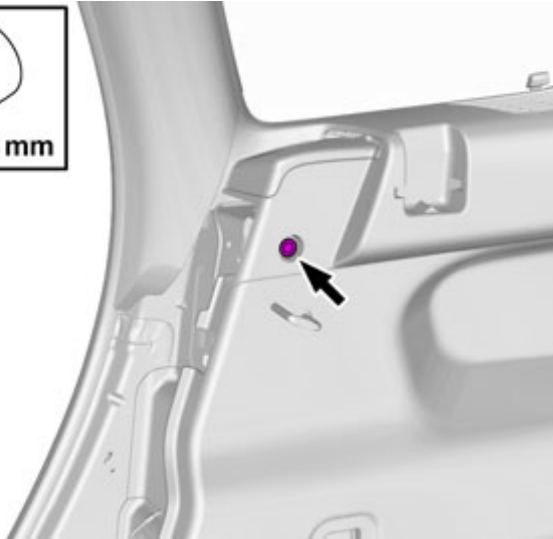
IMG-377302



Installation instructions, accessories

Volvo Car Corporation Gothenburg, Sweden

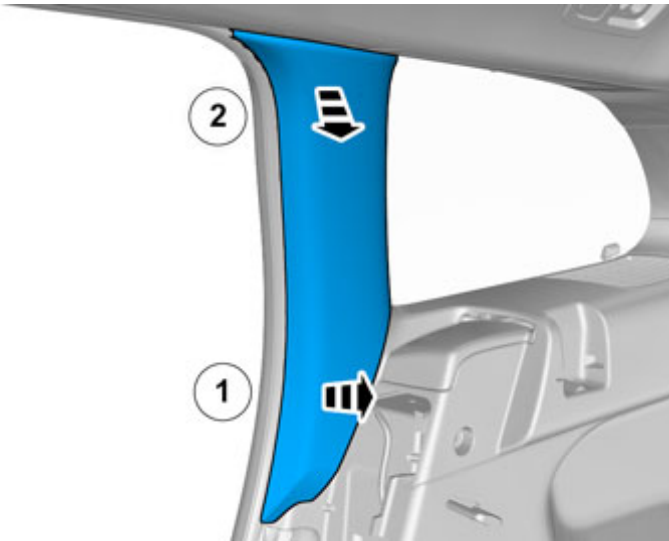
8



Remove the screw.

IMG-377309

9



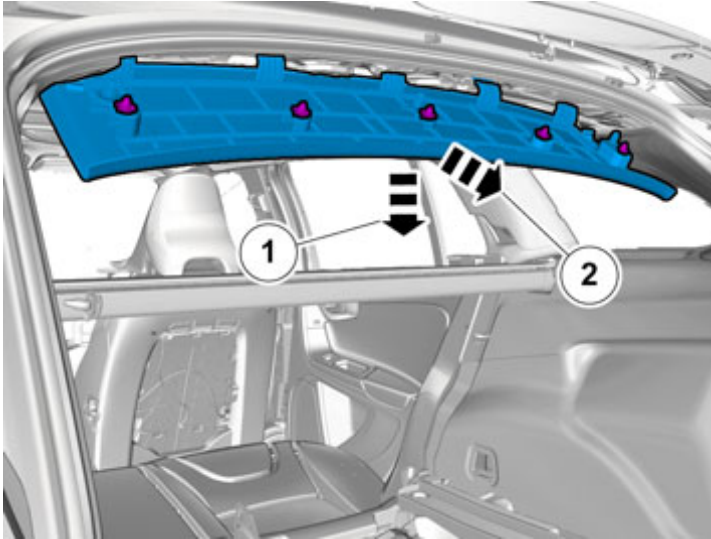
IMG-377320



Installation instructions, accessories

Volvo Car Corporation Gothenburg, Sweden

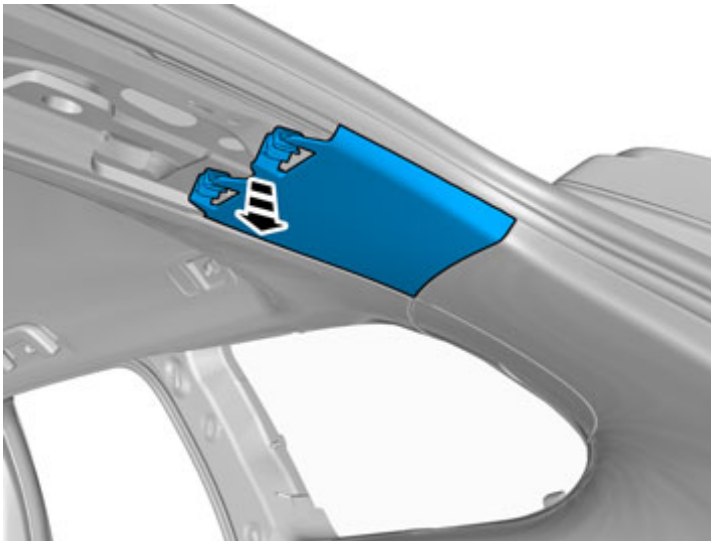
10



IMG-343420

Remove the panel.

11



IMG-377345

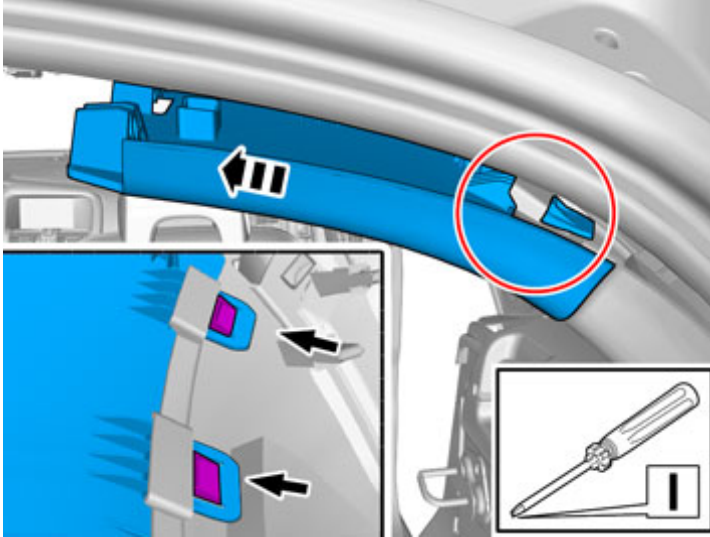
Detach the panel.



Installation instructions, accessories

Volvo Car Corporation Gothenburg, Sweden

12

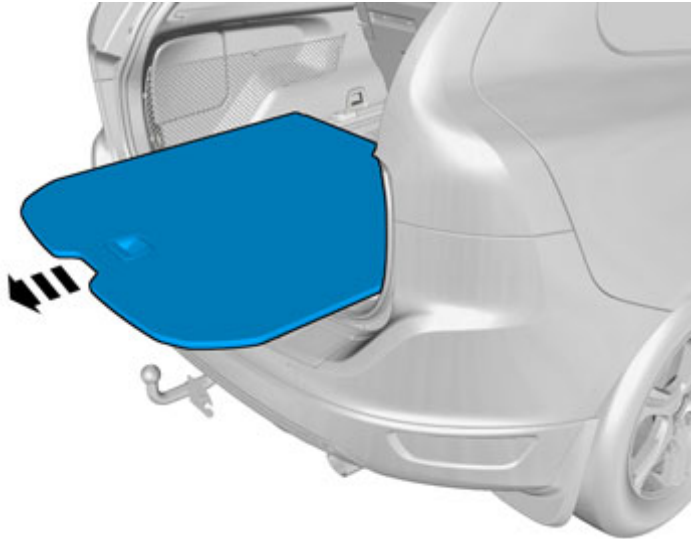


IMG-377347

Release the catches.

Remove the panel.

13



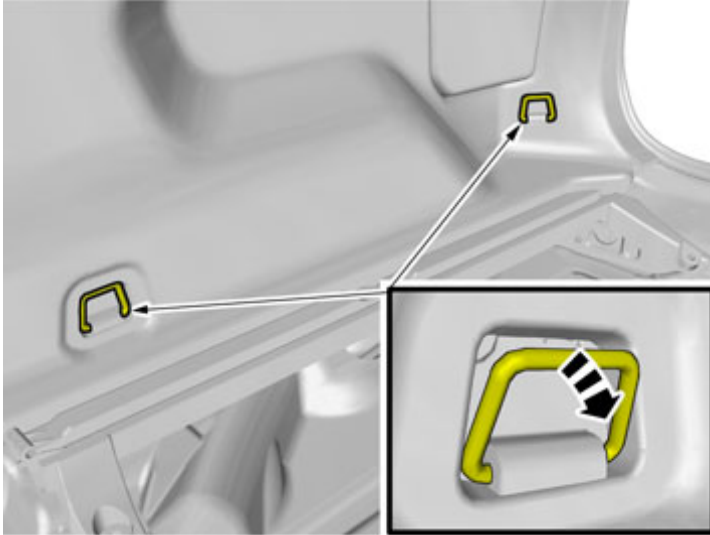
IMG-346921



Installation instructions, accessories

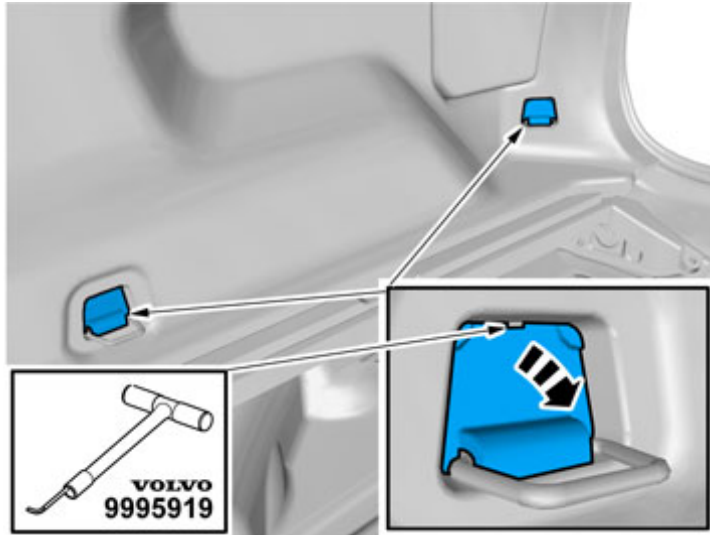
Volvo Car Corporation Gothenburg, Sweden

14



IMG-307608

15



IMG-307609

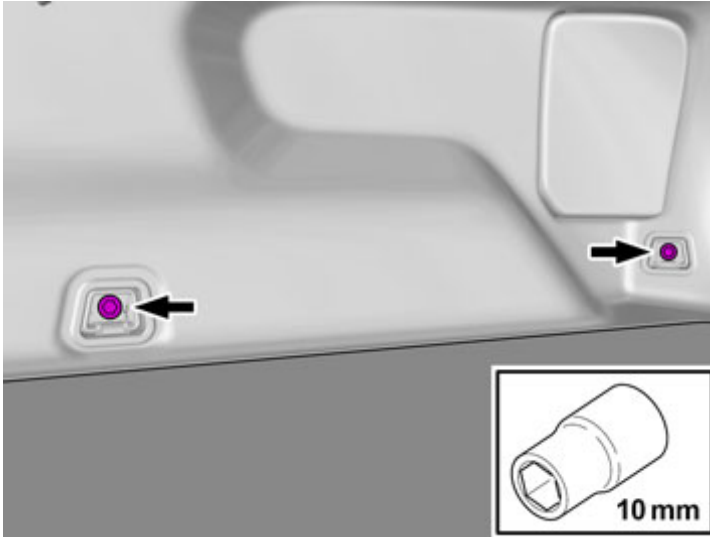
Use special tool: T9995919, PULLER (SEAL-PINION,CAM-CRANKSHAFT)B200-6304



Installation instructions, accessories

Volvo Car Corporation Gothenburg, Sweden

16

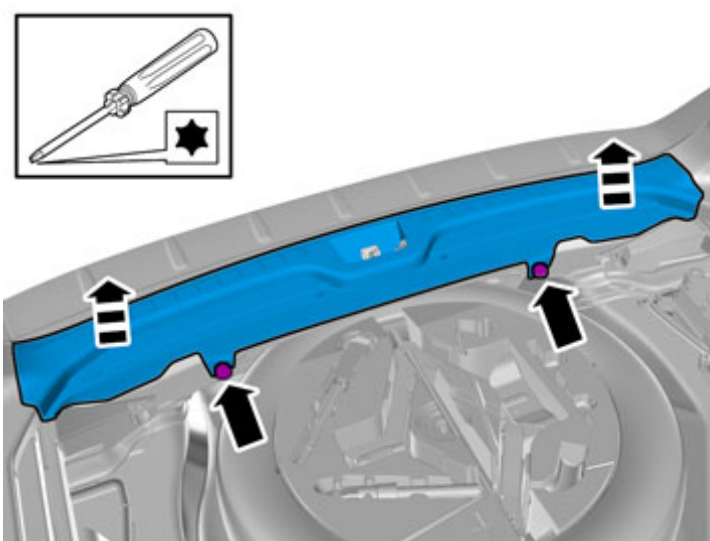


IMG-377342

Remove the screws.

Tightening torque: M8 , 24 Nm

17



IMG-346861

Remove the screws.

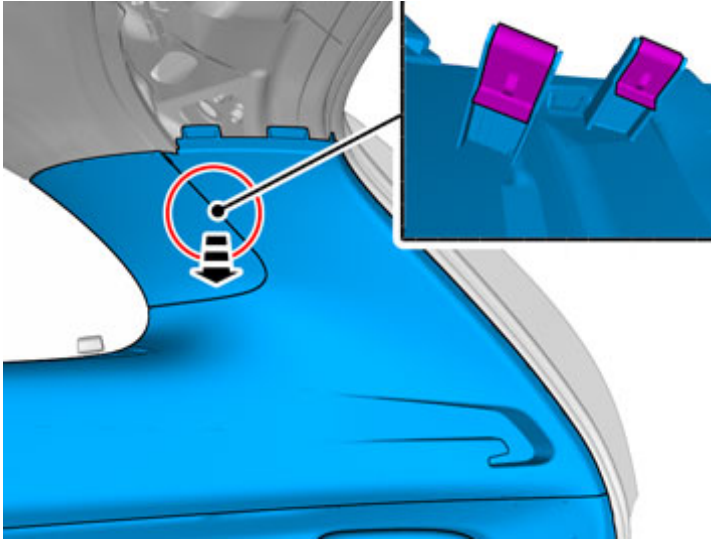
Remove the panel.



Installation instructions, accessories

Volvo Car Corporation Gothenburg, Sweden

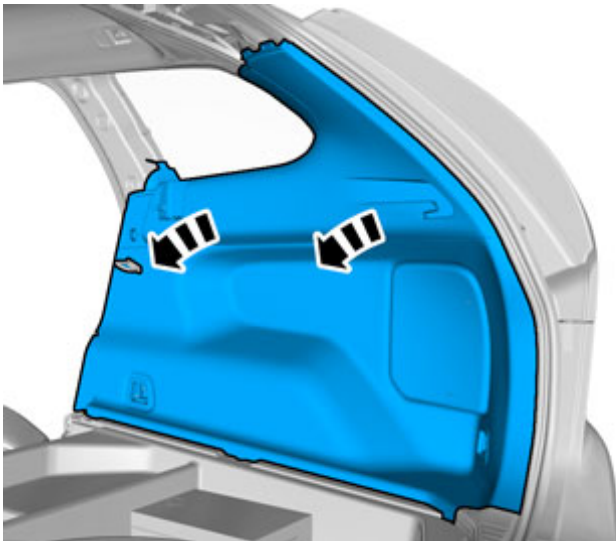
18



Detach the panel.

IMG-377350

19



Remove the panel.

IMG-377352

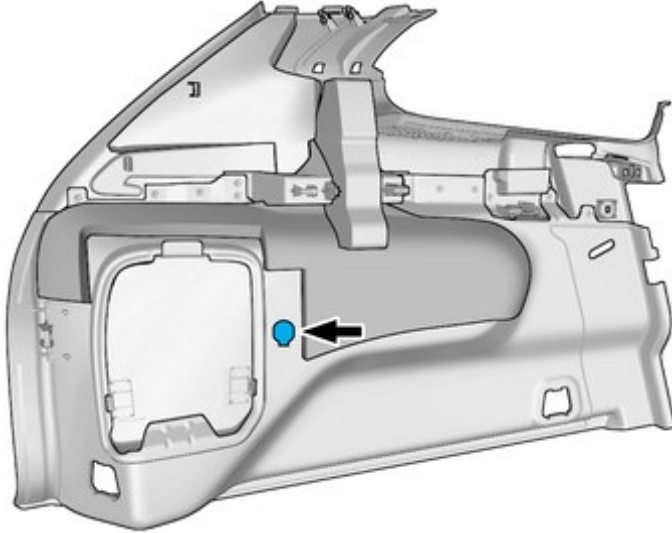


Installation instructions, accessories

Volvo Car Corporation Gothenburg, Sweden

20

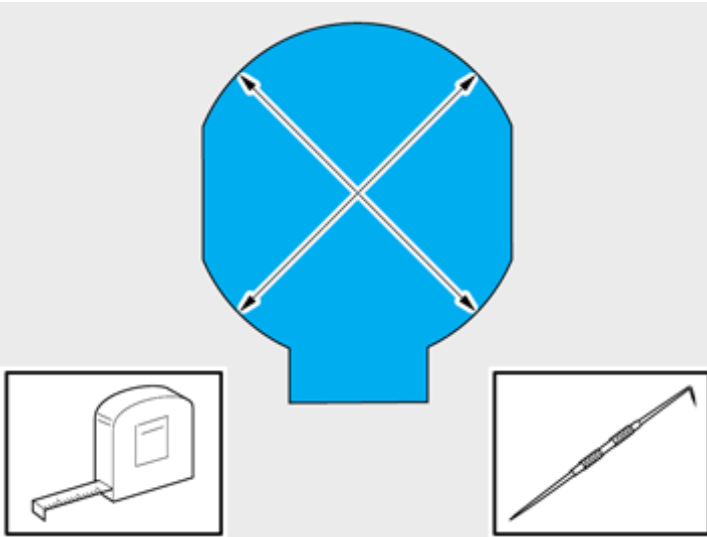
Locate relevant marking.



IMG-391160

21

Measure and mark out the centre.



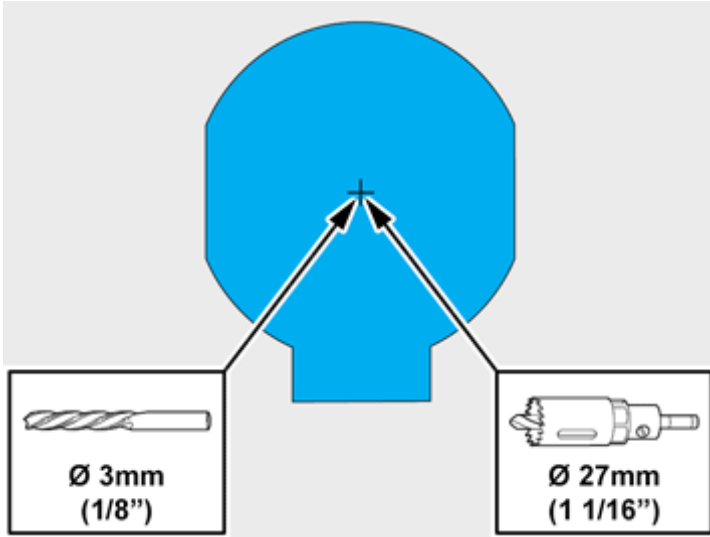
IMG-373772



Installation instructions, accessories

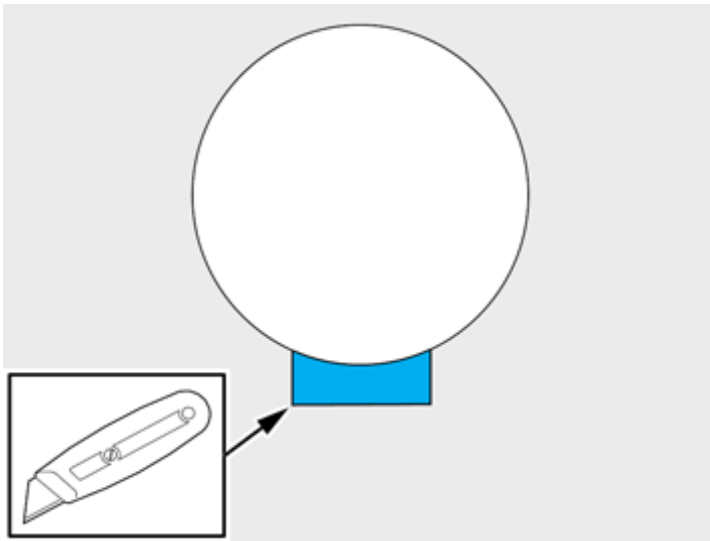
Volvo Car Corporation Gothenburg, Sweden

22



IMG-373773

23



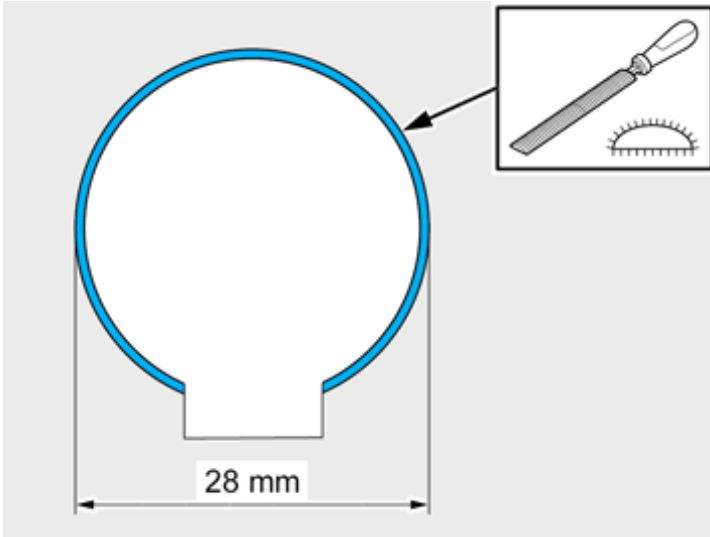
IMG-373774



Installation instructions, accessories

Volvo Car Corporation Gothenburg, Sweden

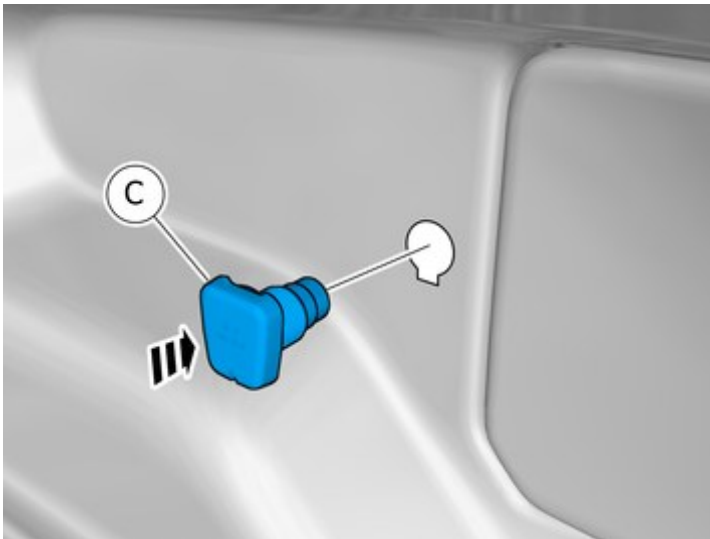
24



IMG-373775

Prepare the hole diameter.

25



IMG-391167

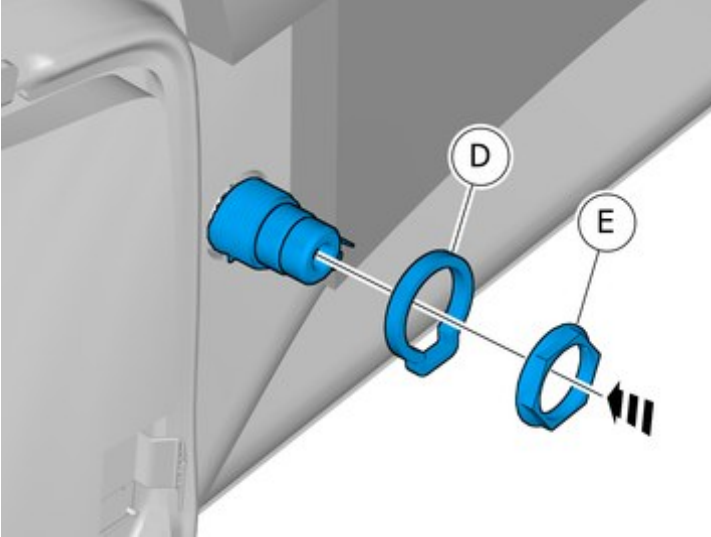
Install component that comes with the accessory kit.



Installation instructions, accessories

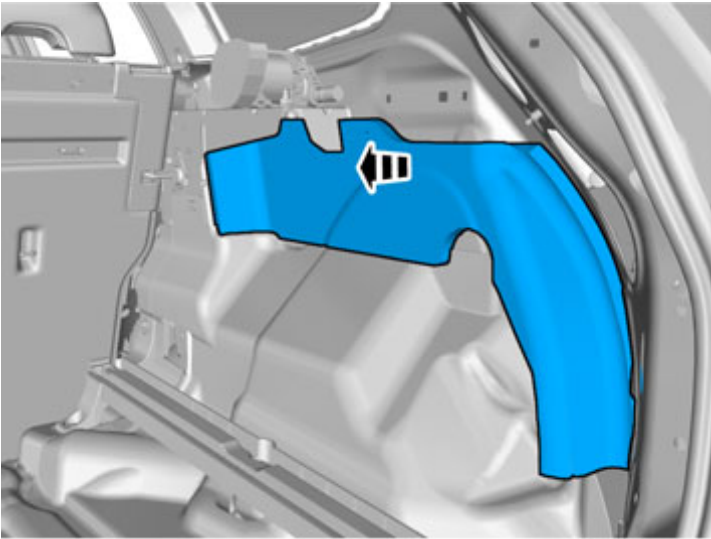
Volvo Car Corporation Gothenburg, Sweden

26



IMG-391165

27



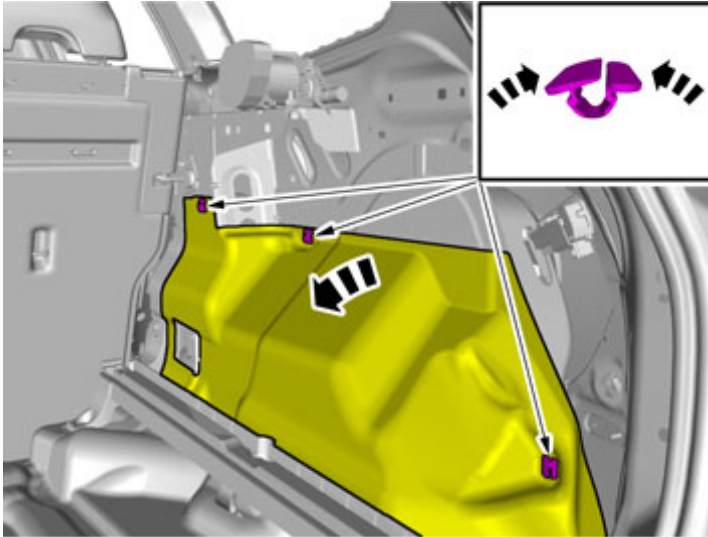
IMG-308085



Installation instructions, accessories

Volvo Car Corporation Gothenburg, Sweden

28

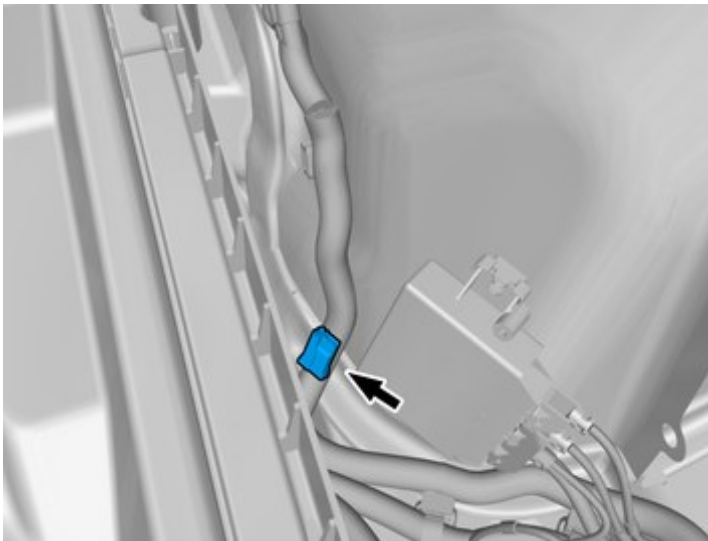


IMG-308086

Remove the clips.

Fold the insulation to one side.

29



IMG-391181

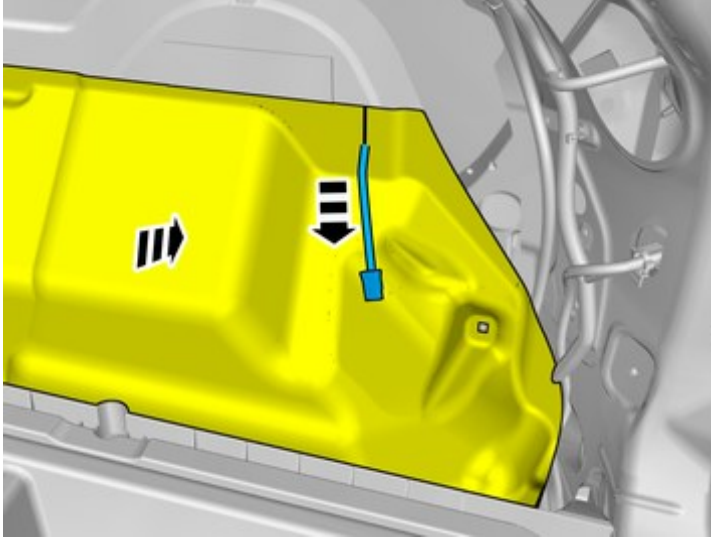
Locate and disconnect the 2-pin connector that is taped to the car's cable harness.



Installation instructions, accessories

Volvo Car Corporation Gothenburg, Sweden

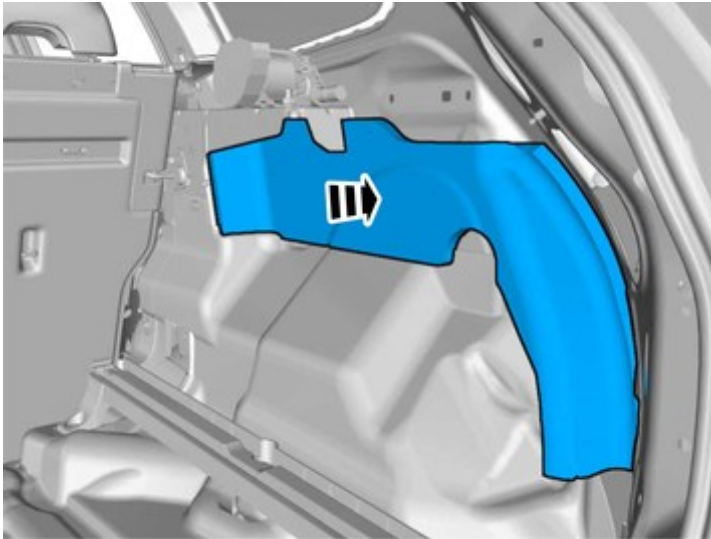
30



IMG-391195

Pull the wiring through.
Refit the insulation.
Reinstall the clips.

31



IMG-391180

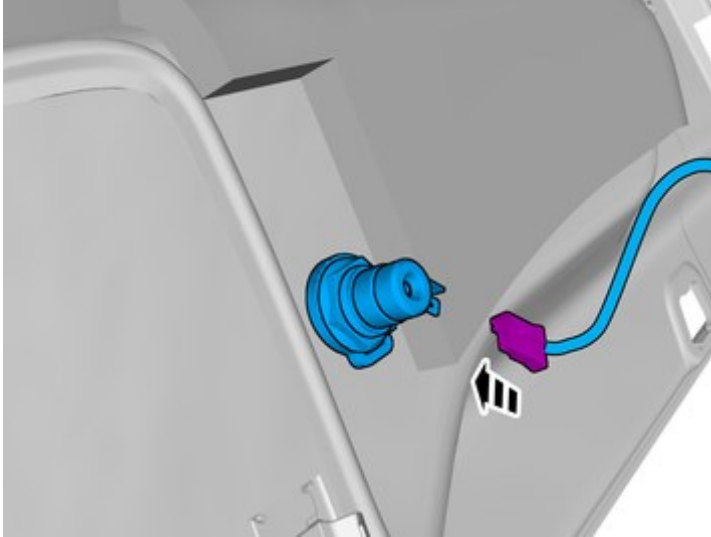
Reinstall the removed part.



Installation instructions, accessories

Volvo Car Corporation Gothenburg, Sweden

32



IMG-391201

Connect the connector.

33

Reinstall the removed parts in reverse order.

IMG-356971