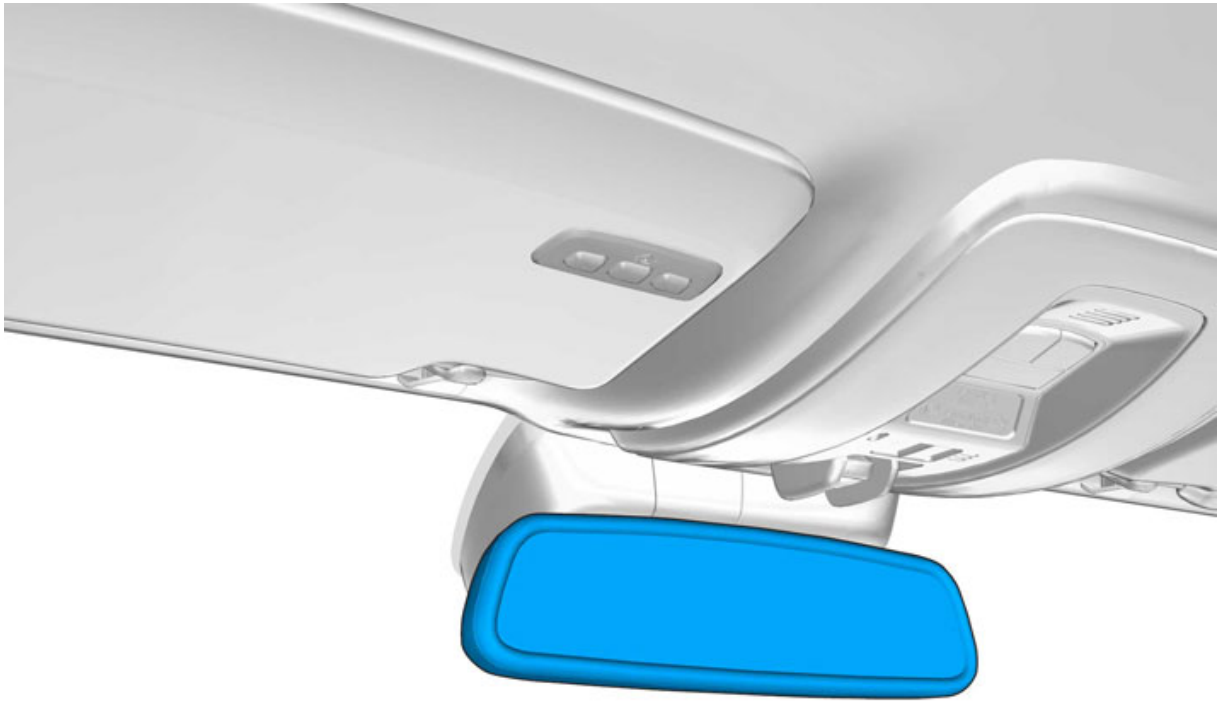


# Installation instructions, accessories

Volvo Car Corporation Gothenburg, Sweden

**Instruction No** 30756435  
**Version** 1.1  
**Part. No.** 30799046

## Mirrors, autodim

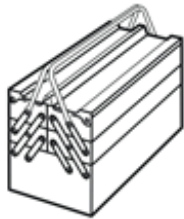


IMG-338611

### Equipment

**VIDA**

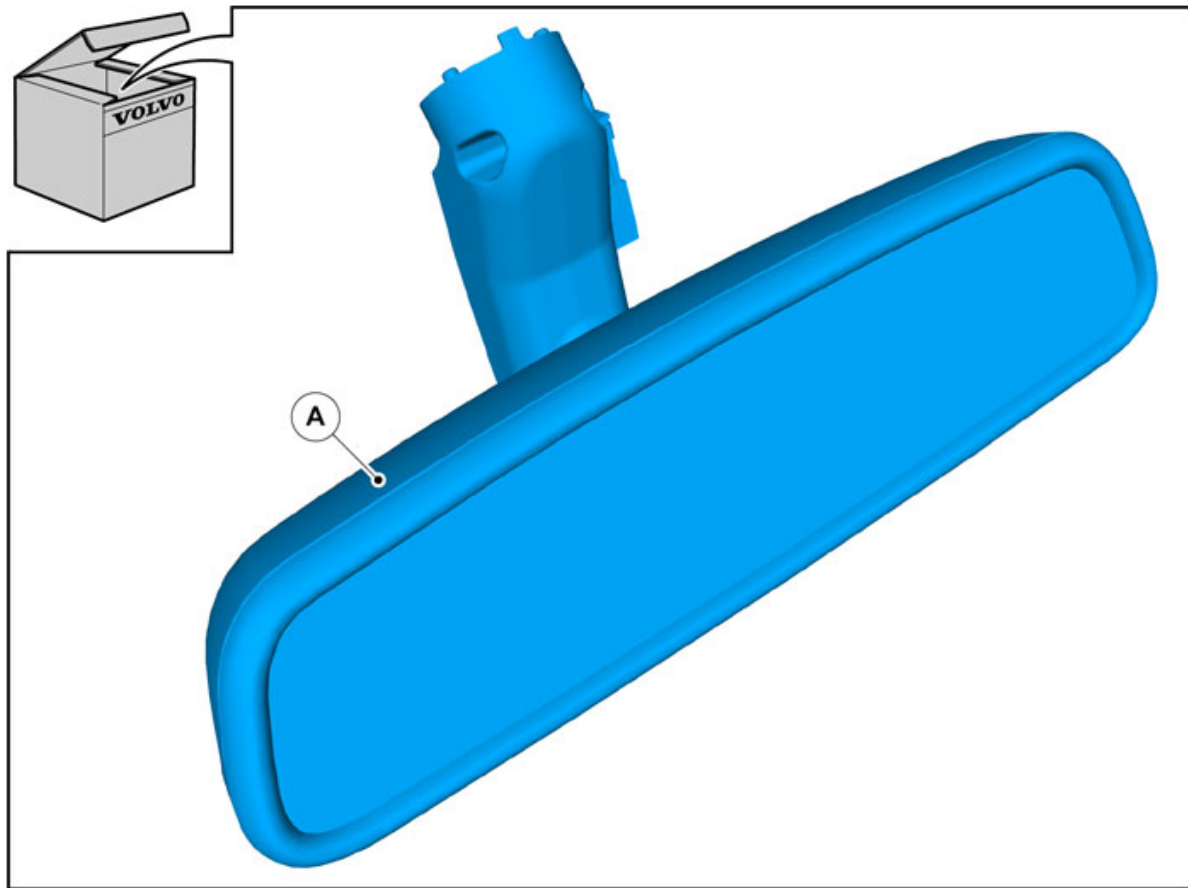
IMG-242205



A0000162

# Installation instructions, accessories

Volvo Car Corporation Gothenburg, Sweden



IMG-338612

# Installation instructions, accessories

Volvo Car Corporation Gothenburg, Sweden

---

## INTRODUCTION

Read through all of the instructions before starting installation.

Notifications and warning texts are for your safety and to minimise the risk of something breaking during installation.

Ensure that all tools stated in the instructions are available before starting installation.

Certain steps in the instructions are only presented in the form of images. Explanatory text is also given for more complicated steps.

In the event of any problems with the instructions or the accessory, contact your local Volvo dealer.

---

1

**Note!**

Some steps in these installation instructions are presented with illustration only.

---

2



Set the ignition key to position 0.

**Note!**

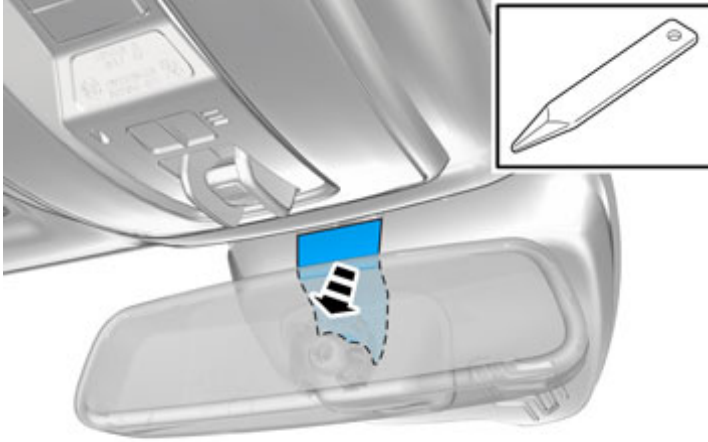
Wait at least one minute before unplugging the connectors or removing other electrical equipment.

IMG-332193

# Installation instructions, accessories

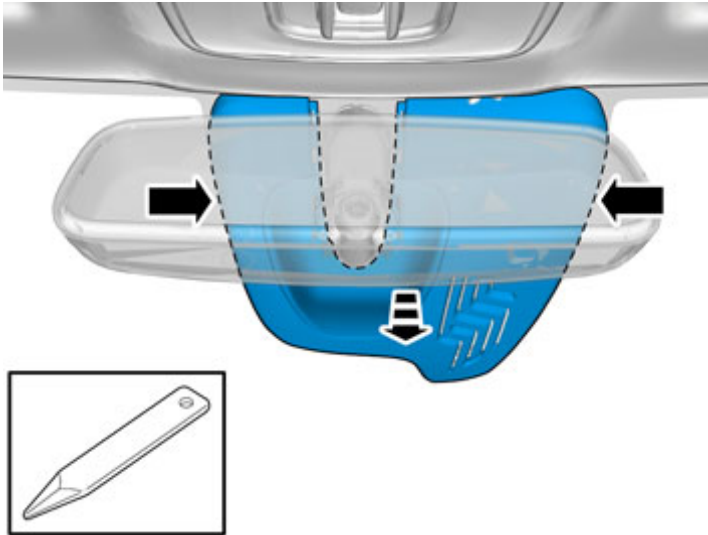
Volvo Car Corporation Gothenburg, Sweden

3



IMG-338613

4

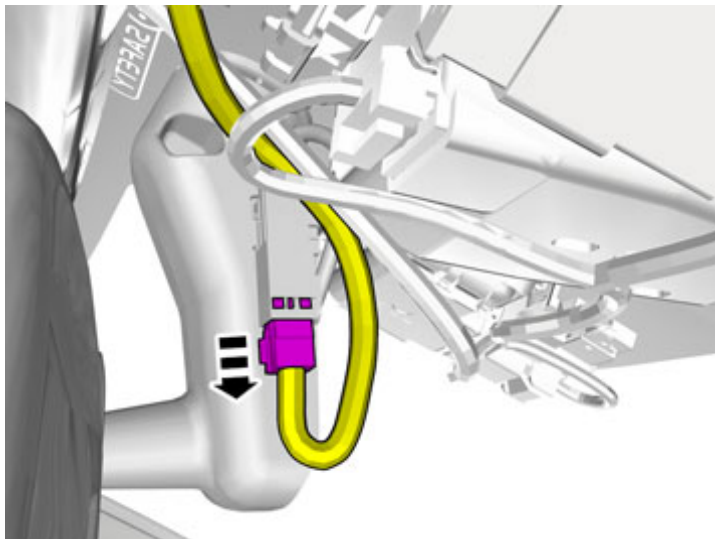


IMG-338614

# Installation instructions, accessories

Volvo Car Corporation Gothenburg, Sweden

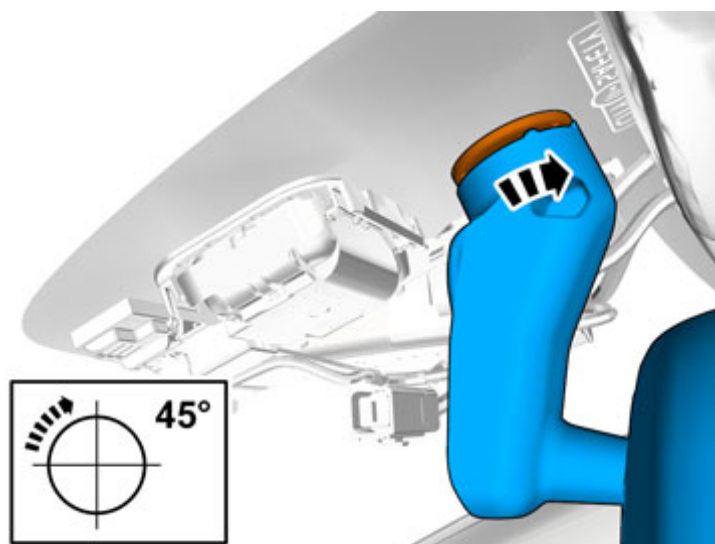
5



IMG-338615

Disconnect any connector.

6

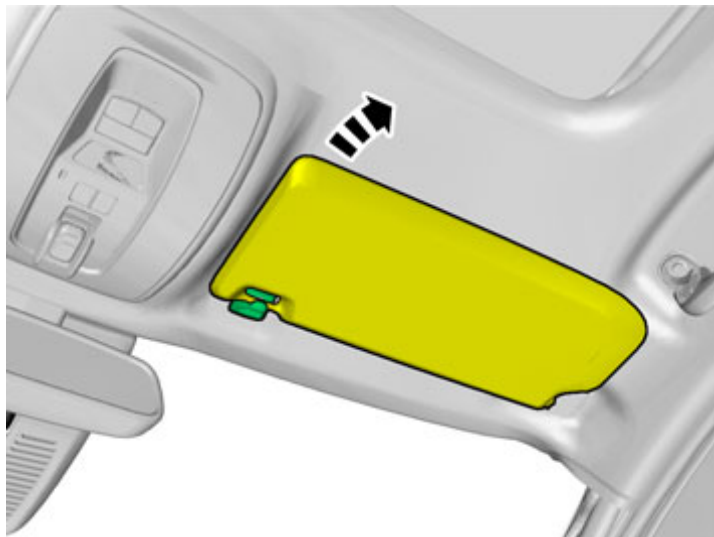


IMG-338616

# Installation instructions, accessories

Volvo Car Corporation Gothenburg, Sweden

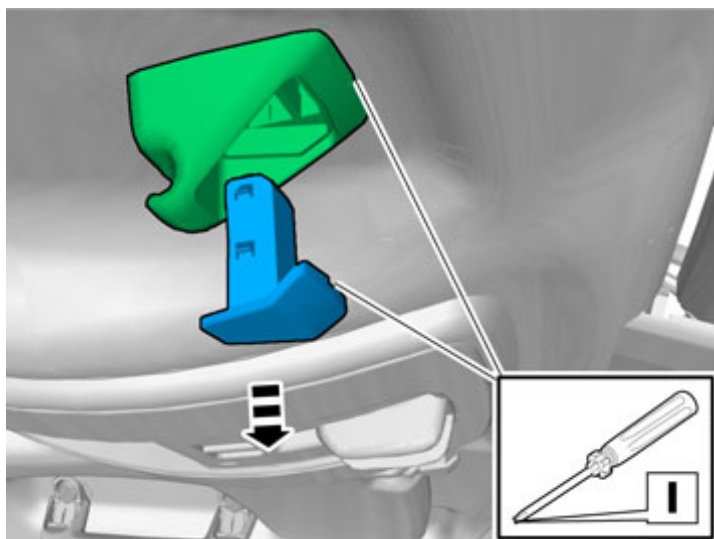
7



IMG-304689

Applies to cars where the connector was not connected to the rear view mirror.

8

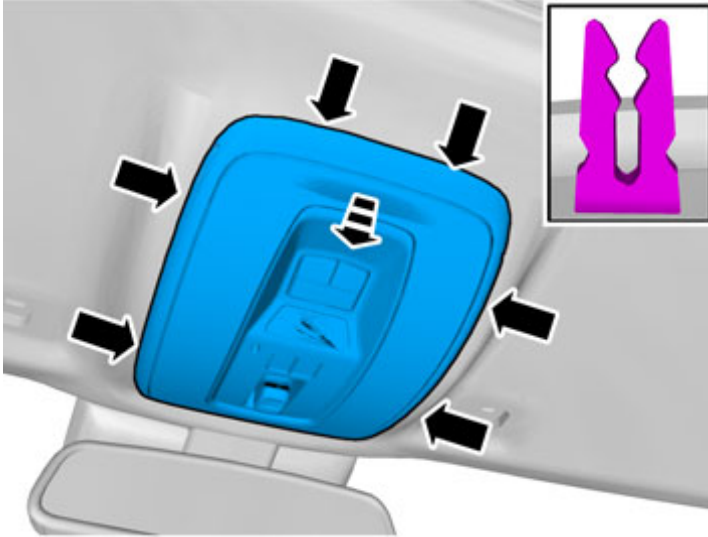


IMG-304690

# Installation instructions, accessories

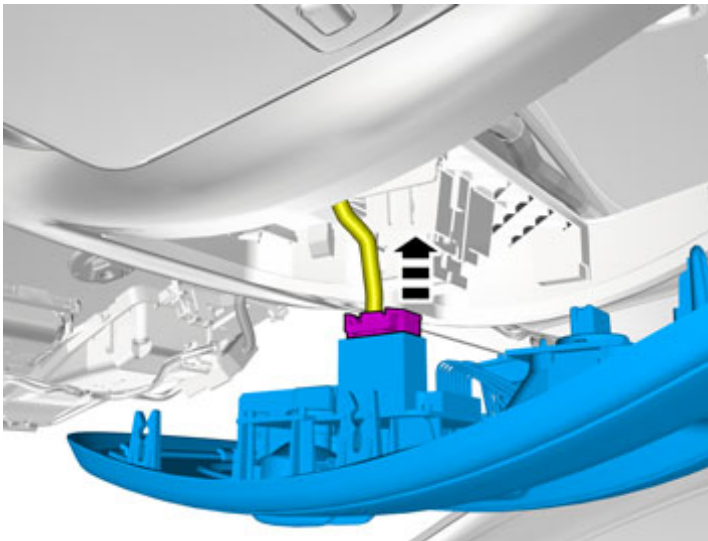
Volvo Car Corporation Gothenburg, Sweden

9



IMG-304691

10

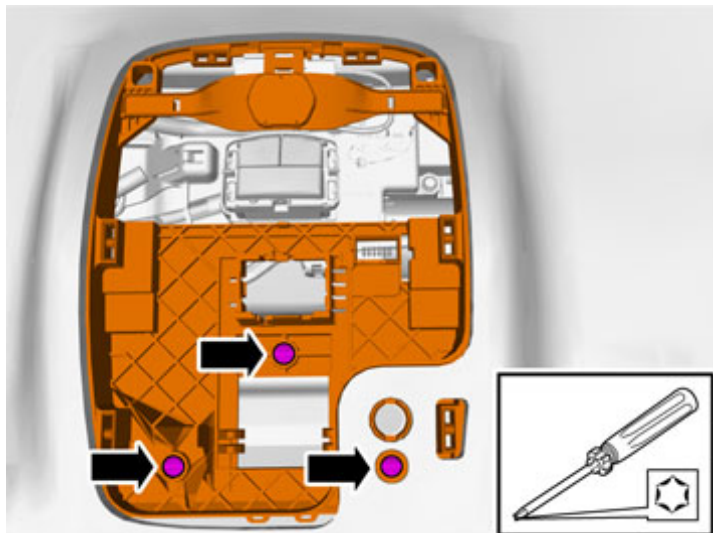


IMG-338621

# Installation instructions, accessories

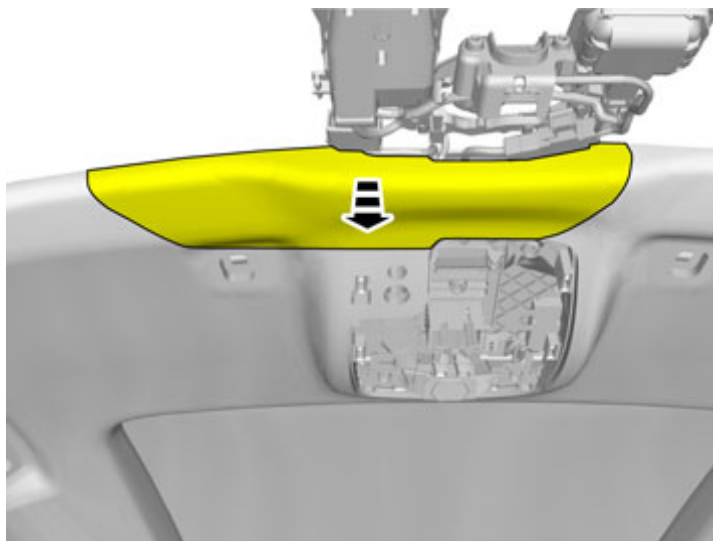
Volvo Car Corporation Gothenburg, Sweden

11



IMG-304692

12



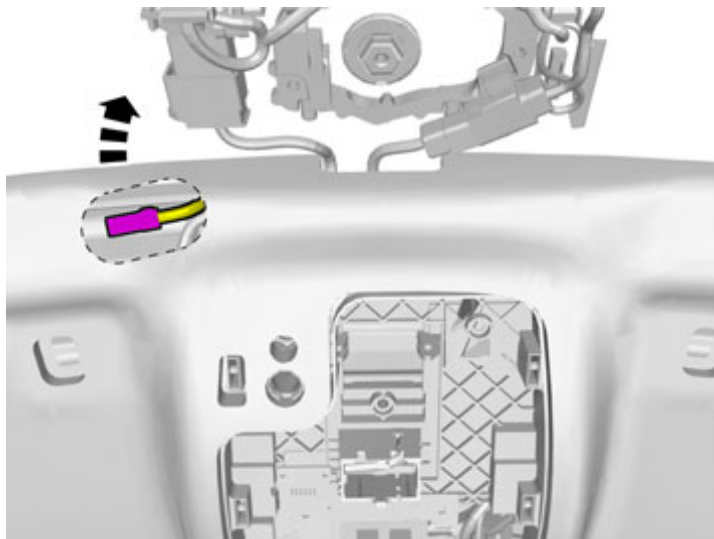
IMG-304693



# Installation instructions, accessories

Volvo Car Corporation Gothenburg, Sweden

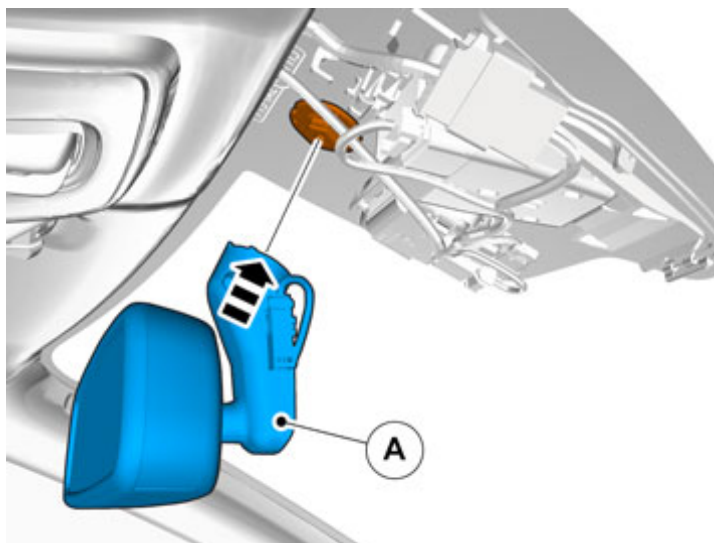
13



IMG-304694

Locate the prerouted connector.

14



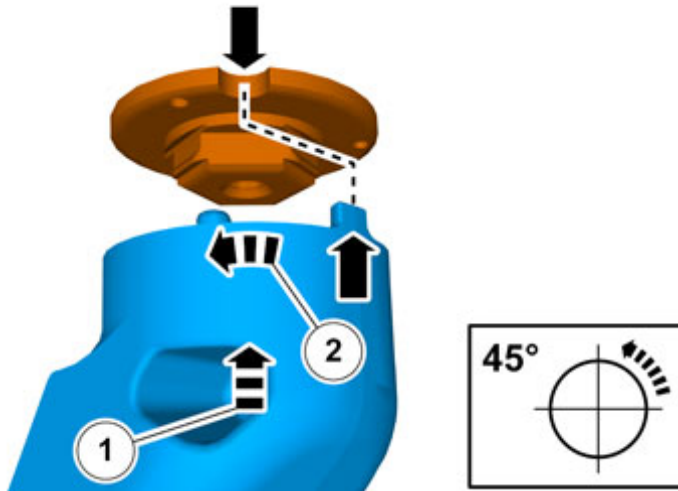
IMG-338617

Applies to all models

# Installation instructions, accessories

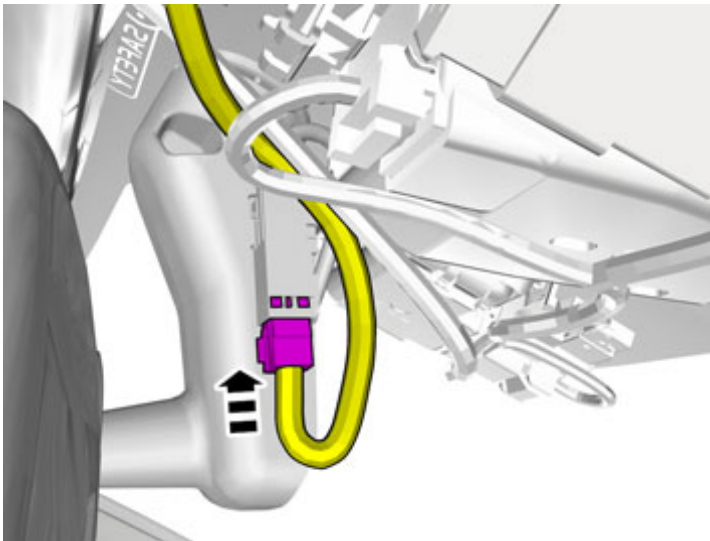
Volvo Car Corporation Gothenburg, Sweden

15



IMG-338619

16



IMG-338620

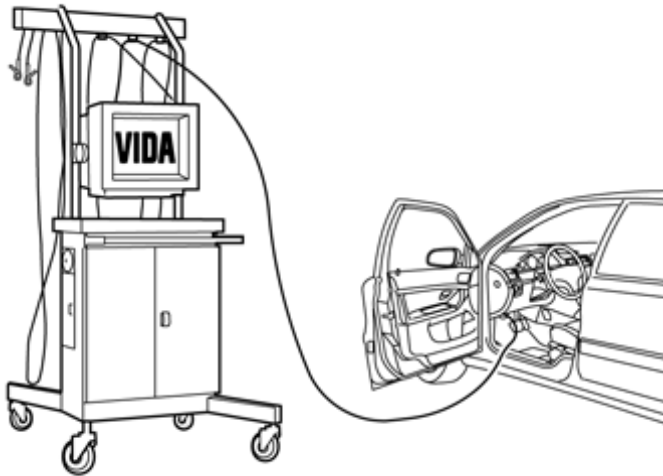
Plug in the connector

Reinstall the detached components in reverse order.

# Installation instructions, accessories

Volvo Car Corporation Gothenburg, Sweden

17



IMG-242268

Download software (application) for the accessory's function according to service information in VIDA. See VIDA or accessories catalogue for article number on software.

Calibrate the compass. Information can be found in VIDA under:

Repair

Clean, check and adjust

8 Body and interior

88 Interior equipment

882 Interior equipment

Interior equipment

Compass calibration