



# Installation instructions, accessories

Volvo Car Corporation Gothenburg, Sweden

**Instruction No**  
31408238

**Version**  
1.0

**Part. No.**  
31399129, 31399128

## Diffuser, R-design



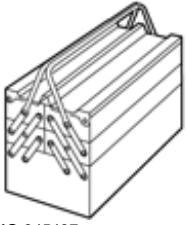
IMG-377886



# Installation instructions, accessories

Volvo Car Corporation Gothenburg, Sweden

## Equipment



IMG-345497



IMG-377953



# Installation instructions, accessories

Volvo Car Corporation Gothenburg, Sweden

## Information

1

Read through all of the instructions before starting installation.

Notifications and warning texts are for your safety and to minimise the risk of something breaking during installation.

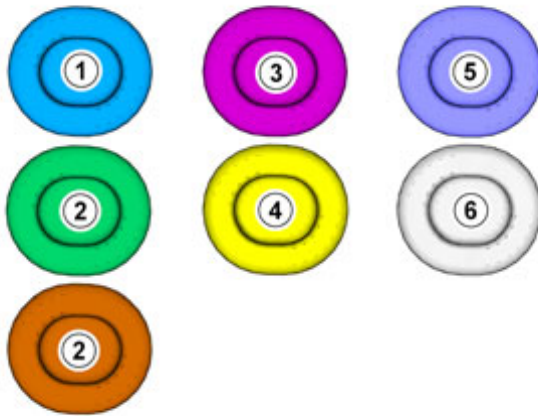
Ensure that all tools stated in the instructions are available before starting installation.

Certain steps in the instructions are only presented in the form of images. Explanatory text is also given for more complicated steps.

In the event of any problems with the instructions or the accessory, contact your local Volvo dealer.

## Color symbols

2

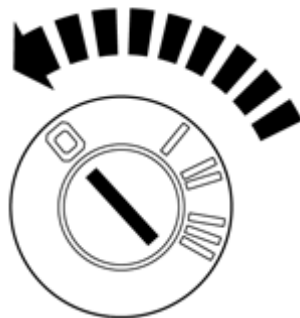


1. Used for focused component, the component with which you will do something.
2. Used as extra colors when you need to show or differentiate additional parts.
3. Used for attachments that are to be removed/installed. May be screws, clips, connectors, etc.
4. Used when the component is not fully removed from the vehicle but only hung to the side.
5. Used for standard tools and special tools.
6. Used as background color for vehicle components.

IMG-363036

3

Turn off the ignition.



IMG-245980

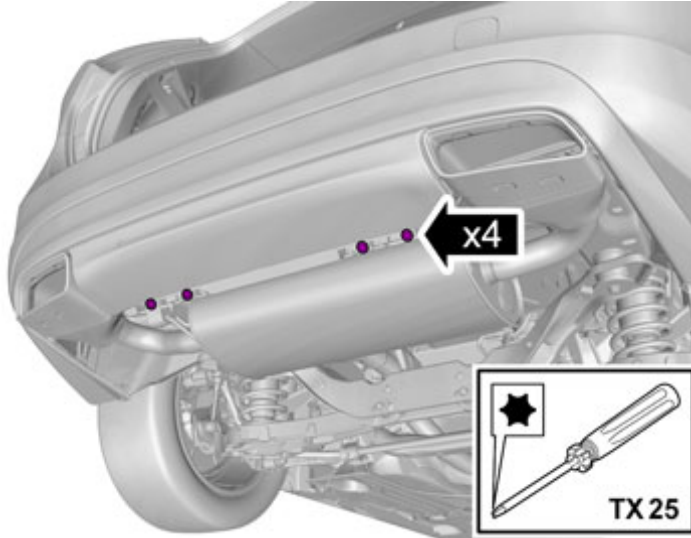


# Installation instructions, accessories

Volvo Car Corporation Gothenburg, Sweden

## Removal

4

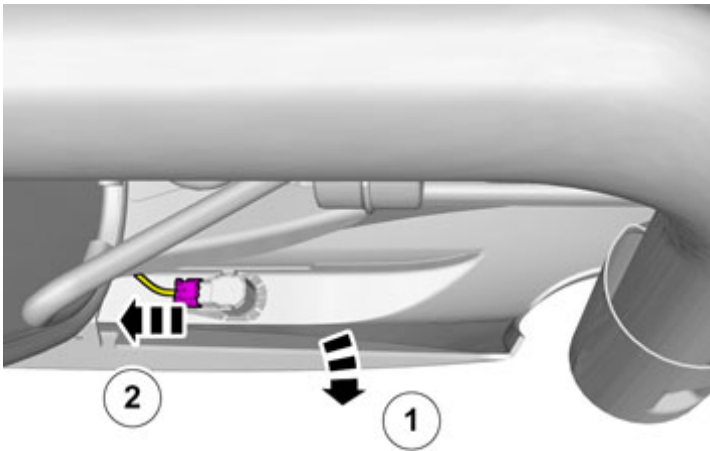


IMG-377892

Remove the screws.

## Vehicles with parking assistance

5



IMG-347701

Disconnect the connectors.

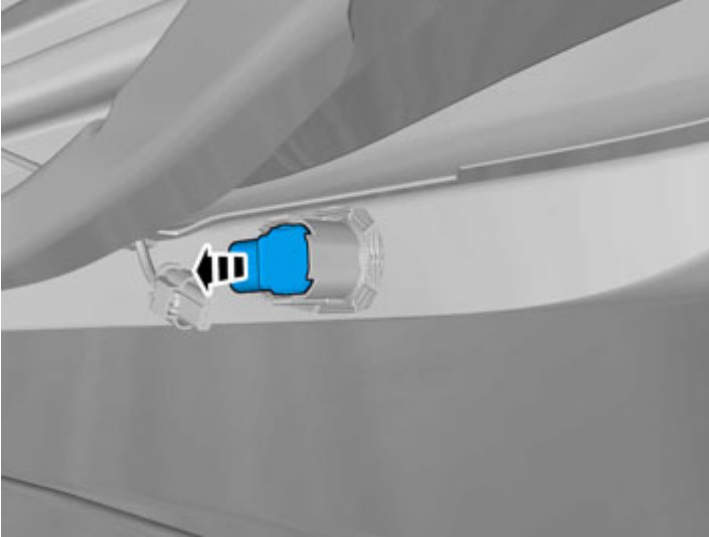
On both sides.



# Installation instructions, accessories

Volvo Car Corporation Gothenburg, Sweden

6

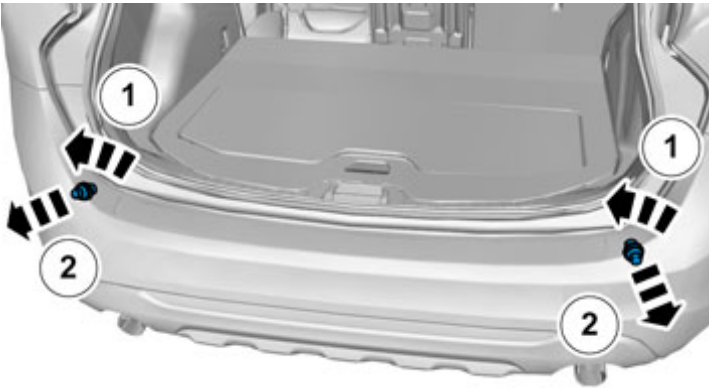


IMG-347702

On both sides.

All vehicles

7



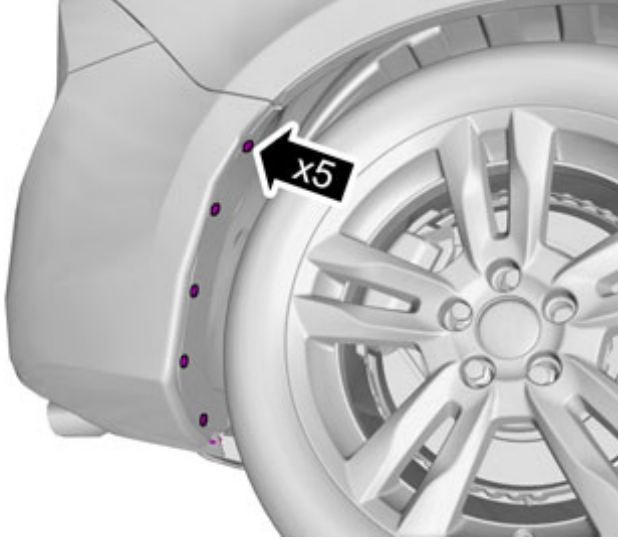
IMG-343213



# Installation instructions, accessories

Volvo Car Corporation Gothenburg, Sweden

8



IMG-337277

9



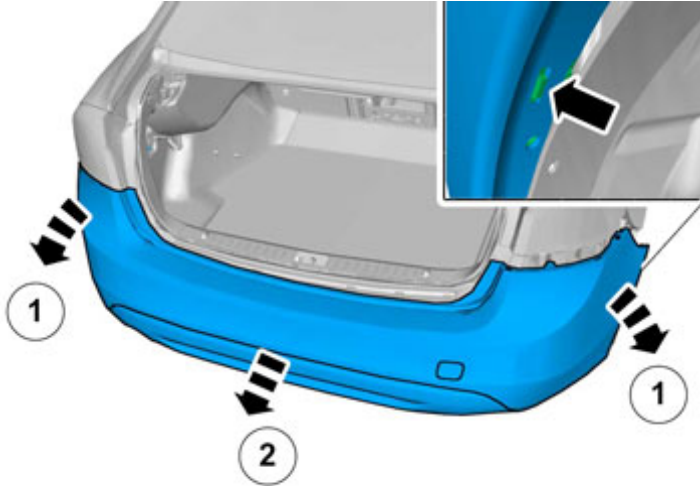
IMG-337278



# Installation instructions, accessories

Volvo Car Corporation Gothenburg, Sweden

10

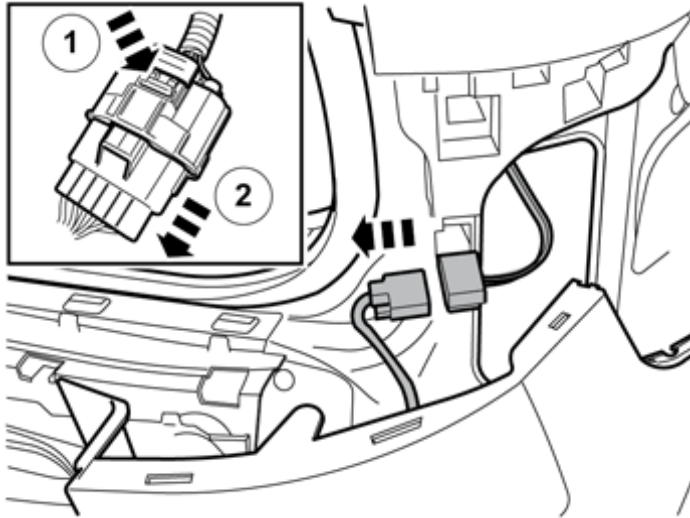


Request the aid of a colleague for this procedure.

IMG-337279

## Vehicles with parking assistance

11



Disconnect the connector, if applicable.

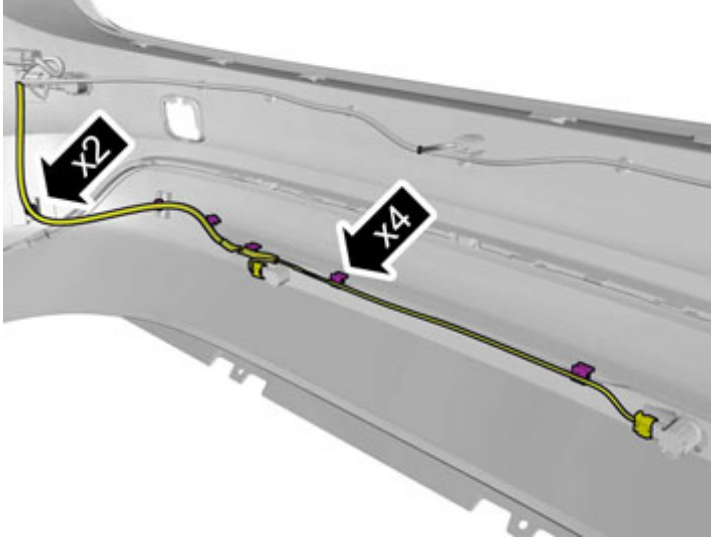
IMG-337311



# Installation instructions, accessories

Volvo Car Corporation Gothenburg, Sweden

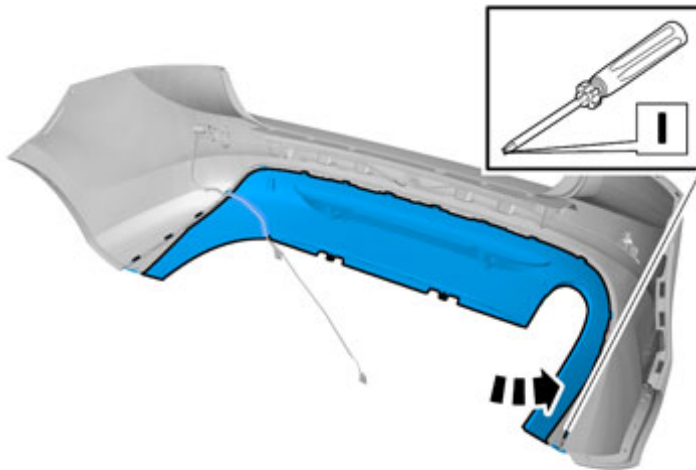
12



IMG-347703

All vehicles

13



IMG-340226

Accessory installation

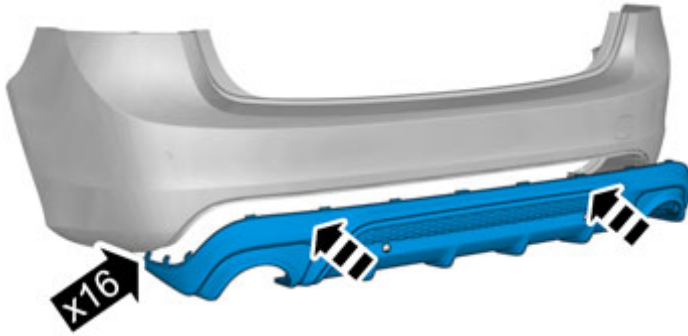




# Installation instructions, accessories

Volvo Car Corporation Gothenburg, Sweden

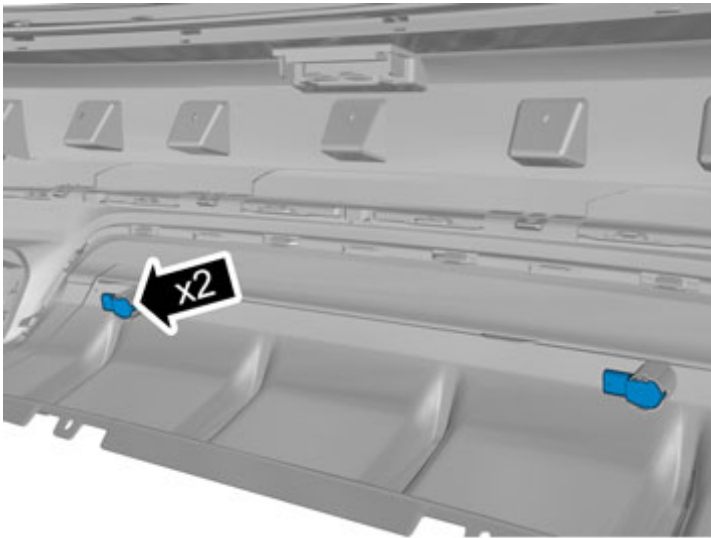
14



IMG-377955

## Vehicles with parking assistance

15



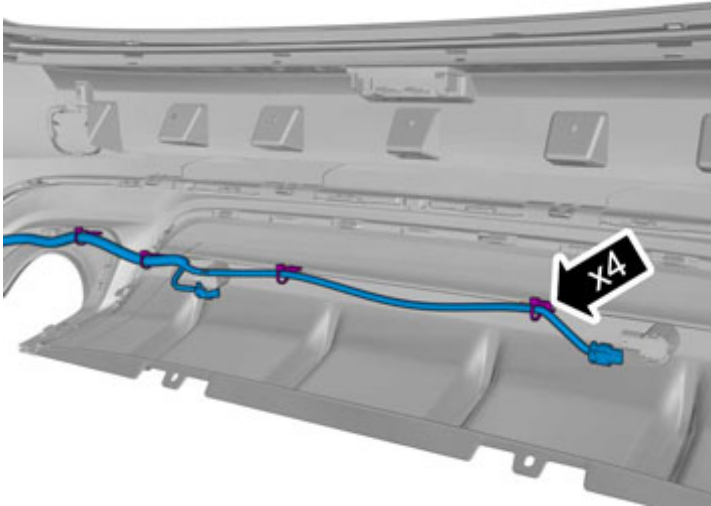
IMG-377956



# Installation instructions, accessories

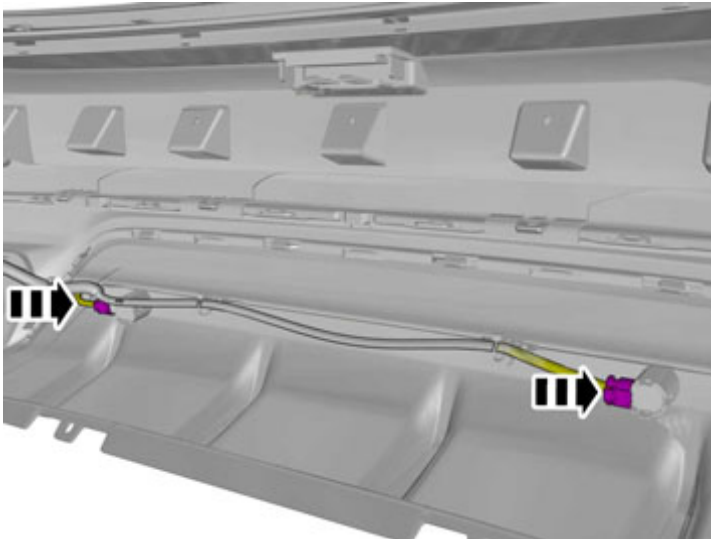
Volvo Car Corporation Gothenburg, Sweden

16



IMG-377957

17



IMG-377958

Connect the connectors.

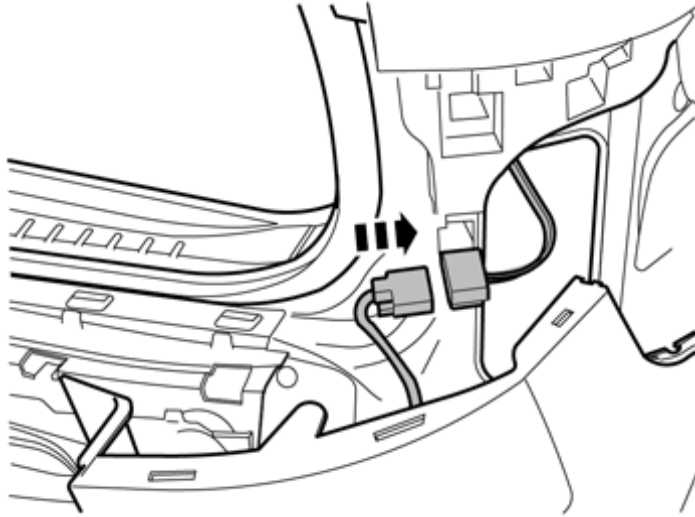
## Installation



# Installation instructions, accessories

Volvo Car Corporation Gothenburg, Sweden

18



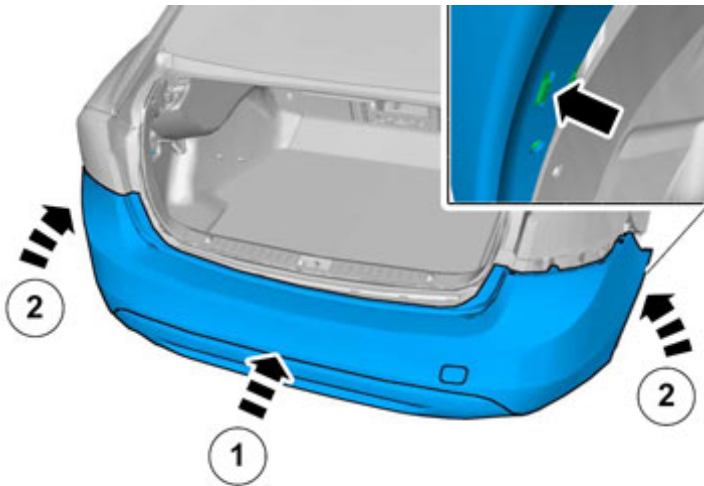
IMG-337324

Place the Bumper Cover in position for installation.

Connect the connector.

All vehicles

19



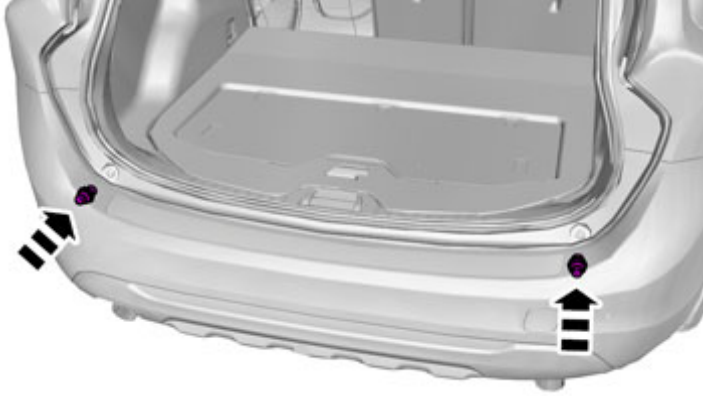
IMG-338572



# Installation instructions, accessories

Volvo Car Corporation Gothenburg, Sweden

20



IMG-347831

21



IMG-337278



# Installation instructions, accessories

Volvo Car Corporation Gothenburg, Sweden

22



IMG-337277

23



IMG-381538

Install the screws.