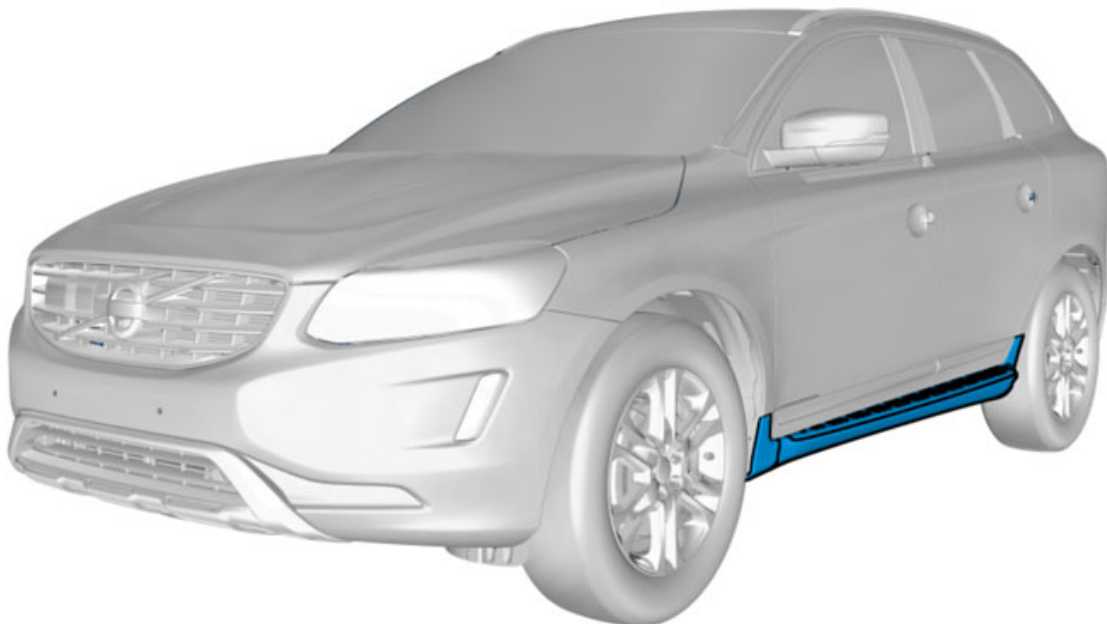


Installation instructions, accessories

Volvo Car Corporation Gothenburg, Sweden

Instruction No	Version	Part. No.
31370020	1.1	31399426, 31399425, 39822331, 39824091, 39824078, 39822422, 39822415, 39822408, 39822394, 39822387, 39822380, 39822373, 39822359, 39822352, 39822345, 39822338, 39822324

Running board



IMG-375551

Special tools

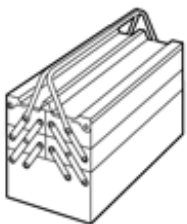
951 2782 Rivet nut tool

Tool number:951 2782

Tool description:Rivet nut tool

Tool boards:08

Equipment



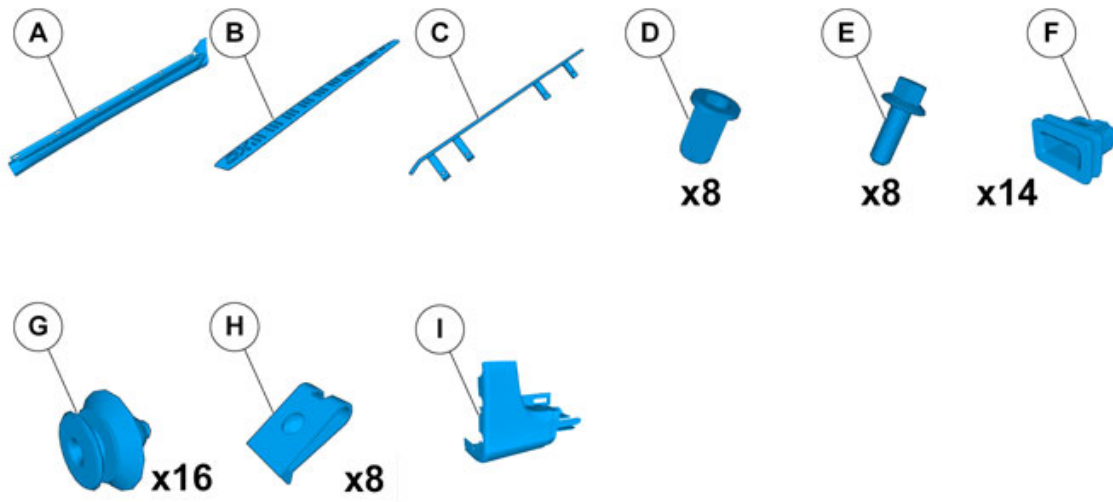
Nm
lbf.ft

Installation instructions, accessories

Volvo Car Corporation Gothenburg, Sweden

IMG-345497

IMG-239664



IMG-376095

Installation instructions, accessories

Volvo Car Corporation Gothenburg, Sweden

Information

1

Read through all of the instructions before starting installation.

Notifications and warning texts are for your safety and to minimise the risk of something breaking during installation.

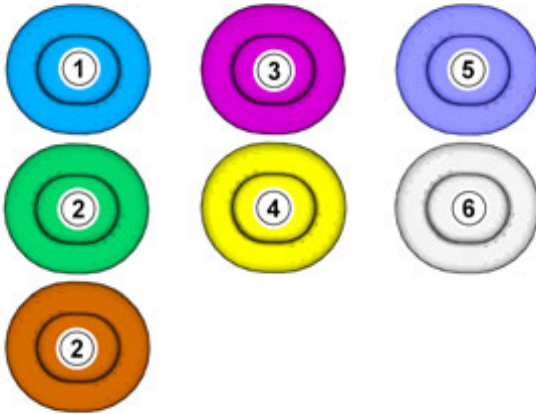
Ensure that all tools stated in the instructions are available before starting installation.

Certain steps in the instructions are only presented in the form of images. Explanatory text is also given for more complicated steps.

In the event of any problems with the instructions or the accessory, contact your local Volvo dealer.

Color symbols

2



IMG-363036

Note!

This colour chart displays (in colour print and electronic version) the importance of the different colours used in the images of the method steps.

1. Used for focused component, the component with which you will do something.
 2. Used as extra colors when you need to show or differentiate additional parts.
 3. Used for attachments that are to be removed/installed. May be screws, clips, connectors, etc.
 4. Used when the component is not fully removed from the vehicle but only hung to the side.
 5. Used for standard tools and special tools.
 6. Used as background color for vehicle components.
-

Preparation

Installation instructions, accessories

Volvo Car Corporation Gothenburg, Sweden

3

Set the ignition key to position 0.

Wait for about 2 minutes until the vehicle has gone to sleep-mode.

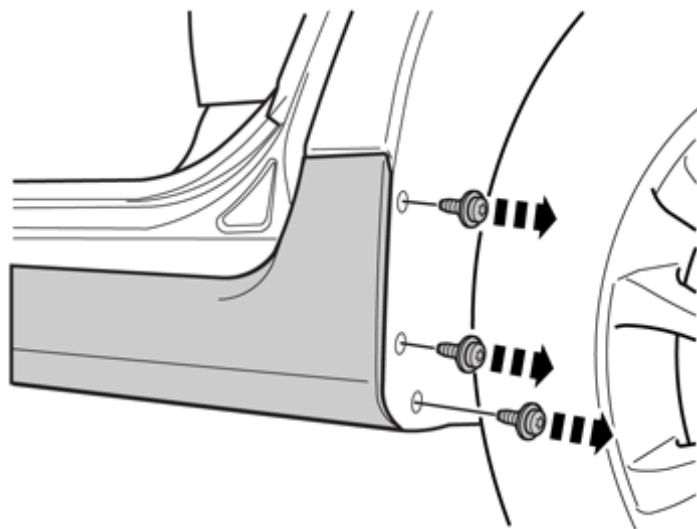


IMG-245980

Removal

4

Remove the screws.



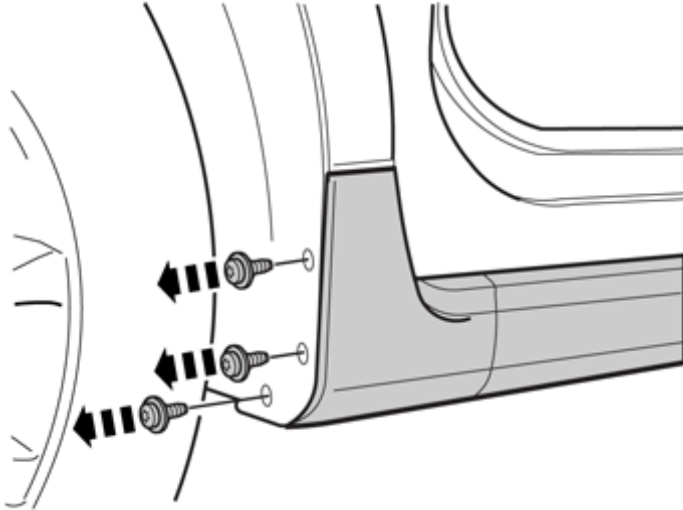
IMG-287287

Installation instructions, accessories

Volvo Car Corporation Gothenburg, Sweden

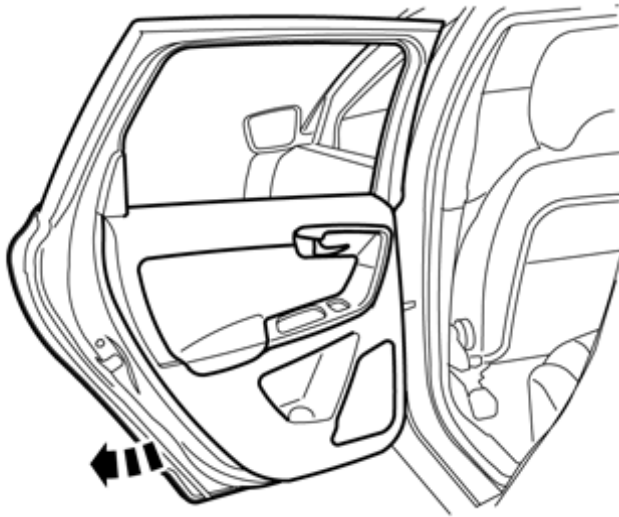
5

Remove the screws.



IMG-285505

6

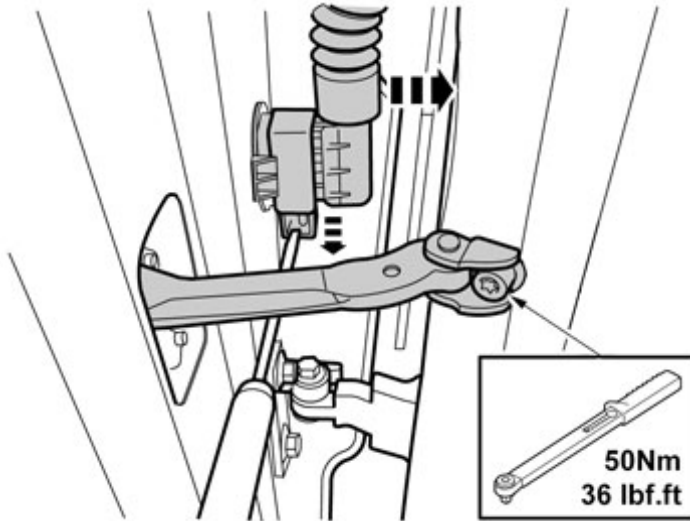


IMG-296643

Installation instructions, accessories

Volvo Car Corporation Gothenburg, Sweden

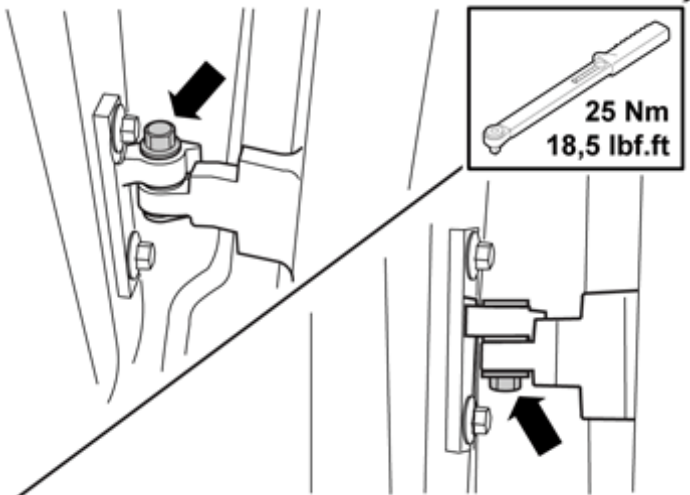
7



IMG-376181

1. Release the connector's catch.
2. Disconnect the connector.
3. Remove the screw.

8



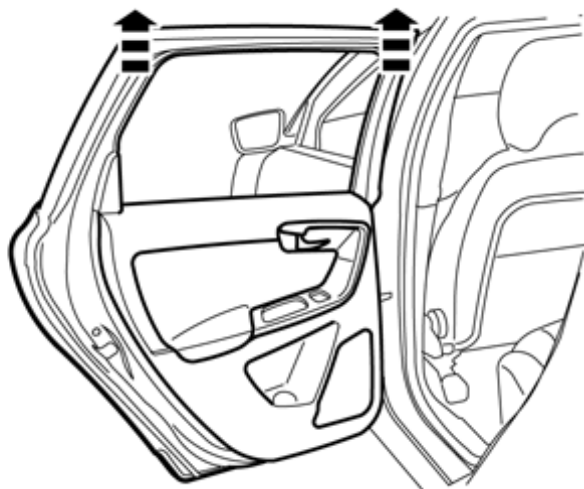
IMG-296684

Remove the screws.

Installation instructions, accessories

Volvo Car Corporation Gothenburg, Sweden

9

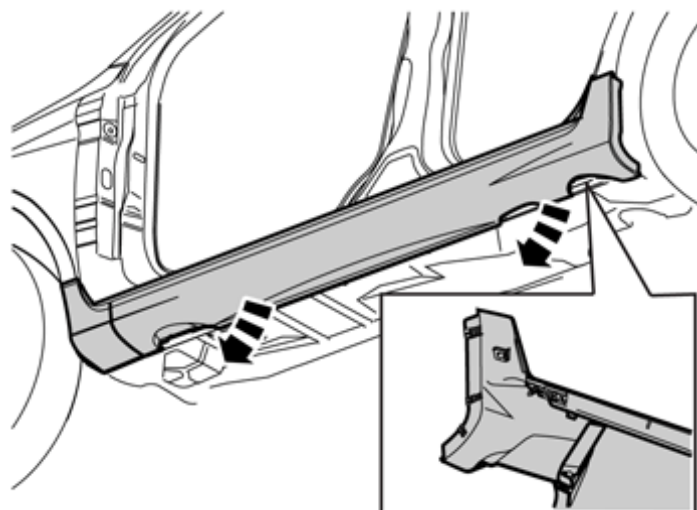


Note!

This step is easier with two people.

IMG-296646

10



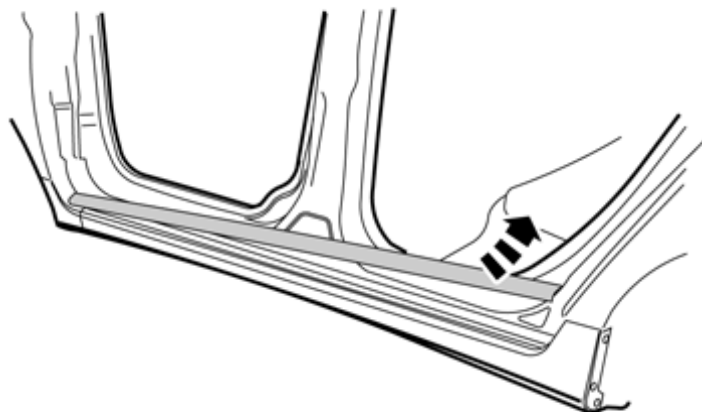
IMG-287303

Installation instructions, accessories

Volvo Car Corporation Gothenburg, Sweden

11

Remove the rubber strip.

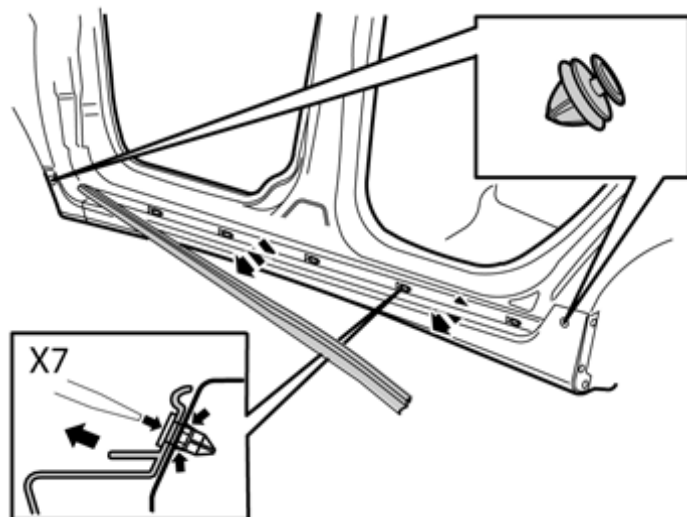


IMG-287304

12

Release the catches.

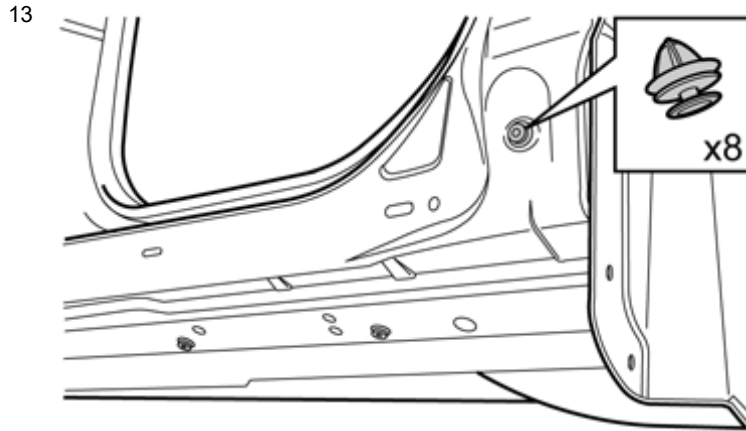
Detach the panel.



IMG-287306

Installation instructions, accessories

Volvo Car Corporation Gothenburg, Sweden

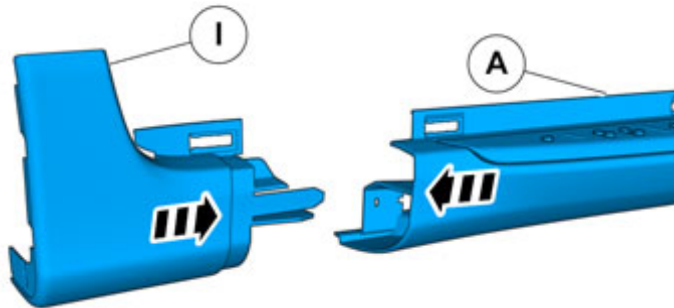


Remove all clips (8 pcs on each side) from the door sill, and in the front and rear wings, and replace them with new ones.

IMG-296663

Accessory installation

14

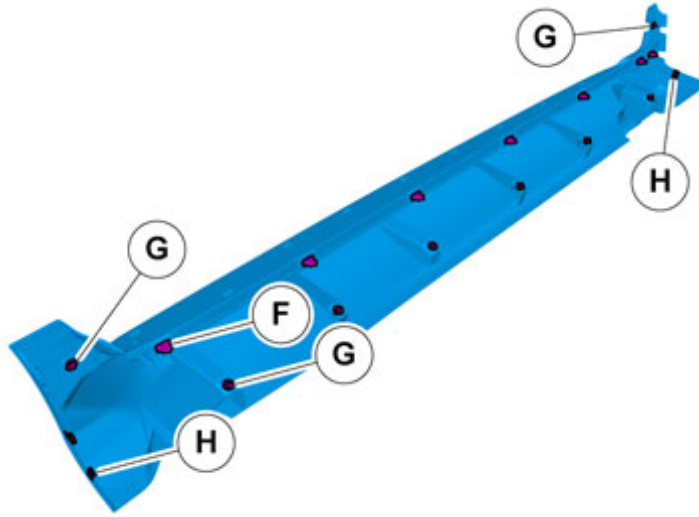


IMG-381534

Installation instructions, accessories

Volvo Car Corporation Gothenburg, Sweden

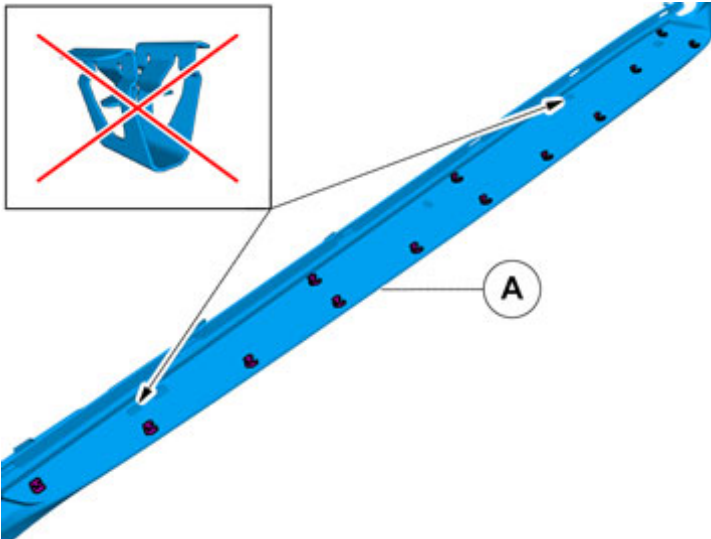
15



Install the clips as illustrated.

IMG-376097

16



Note!
Orientation view

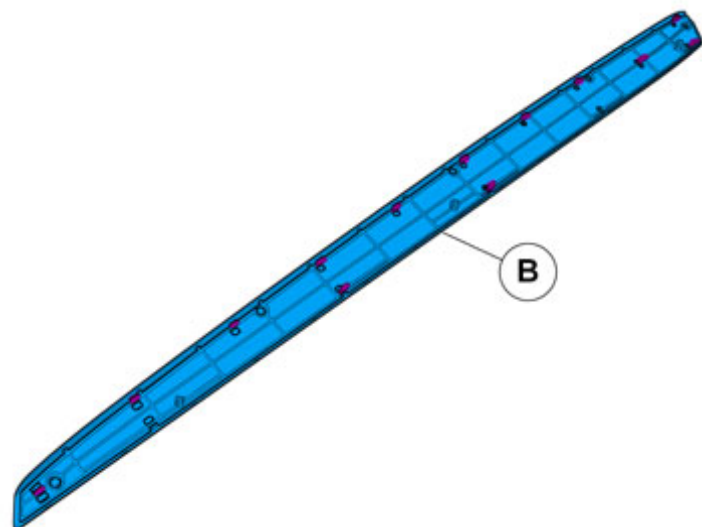
Note position of components.

IMG-376108

Installation instructions, accessories

Volvo Car Corporation Gothenburg, Sweden

17

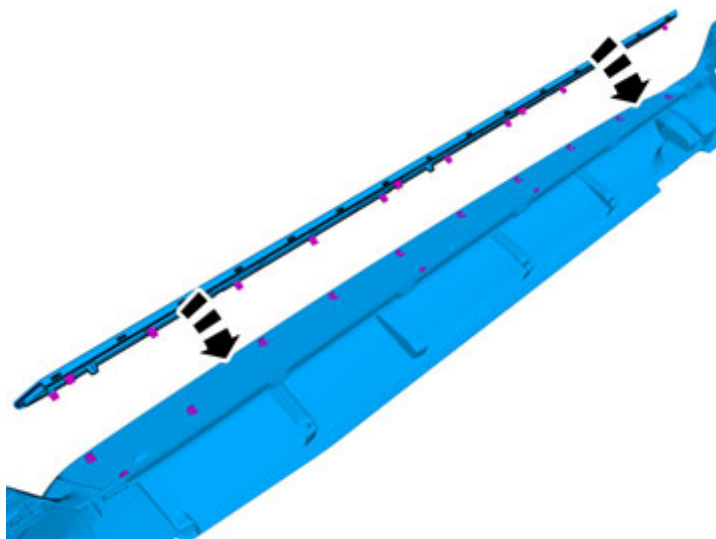


IMG-376113

Note!
Orientation view

Note the position.

18

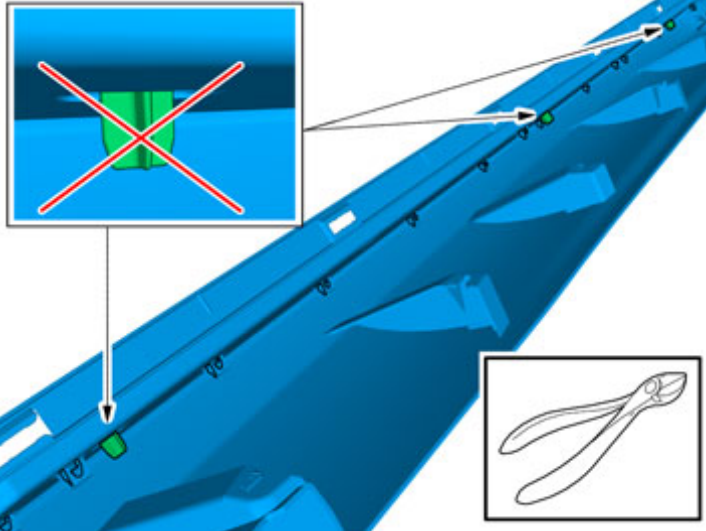


IMG-376167

Installation instructions, accessories

Volvo Car Corporation Gothenburg, Sweden

19



IMG-376136

20

Reinstall the rubber weatherstrip.

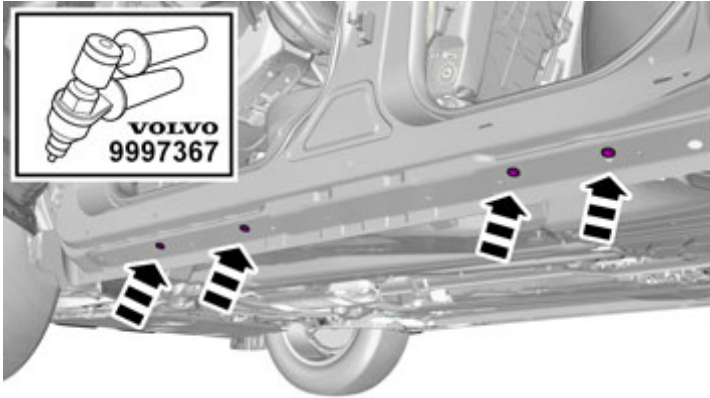


IMG-287346

Installation instructions, accessories

Volvo Car Corporation Gothenburg, Sweden

21



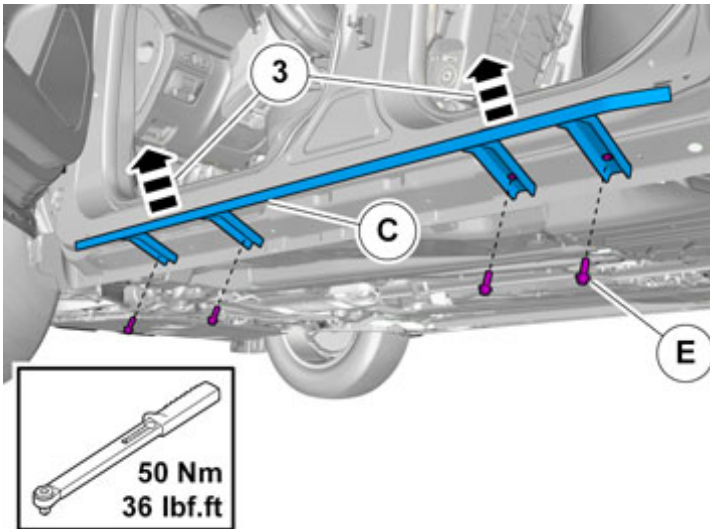
Install the nut.

Note the position.

Use special tool: T9512782, Rivet nut tool

IMG-376305

22



1. Install component that comes with the accessory kit.

2. Install the screws.

3.

Note!
Keep the part stretched during installation.

4.

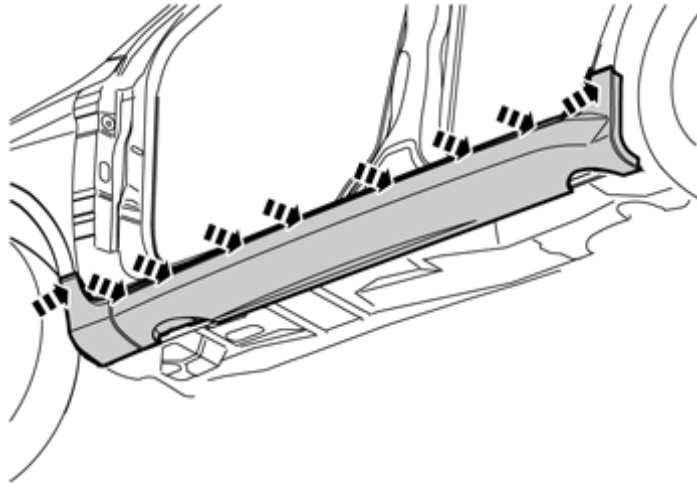
Tightening torque: M10 , 50 Nm

IMG-376324

Installation instructions, accessories

Volvo Car Corporation Gothenburg, Sweden

23



IMG-287349

Ensure that all clips engage.

24

Reinstall the removed parts in reverse order.