



# Installation instructions, accessories

Volvo Car Corporation Gothenburg, Sweden

<b>Instruction No</b>	<b>Version</b>	<b>Part. No.</b>
32270879	1.0	32289658

## Protective plate, beneath the engine



# Installation instructions, accessories

Volvo Car Corporation Gothenburg, Sweden

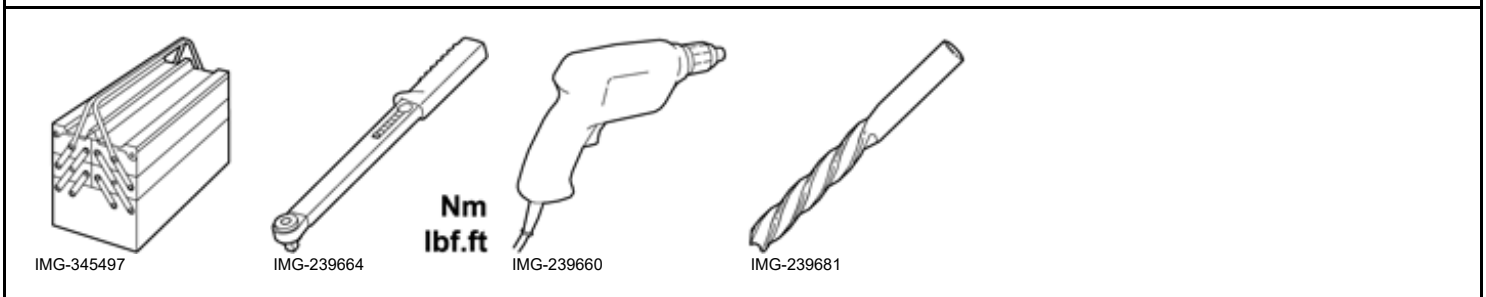
## Special tools

	981 4112 Drill Tool number:981 4112 Tool description:Drill Tool boards:EU99
	951 2782 Rivet nut tool Tool number:951 2782 Tool description:Rivet nut tool Tool boards:08

## Materials

Designation	Part number
Rust inhibitor, low viscosity	

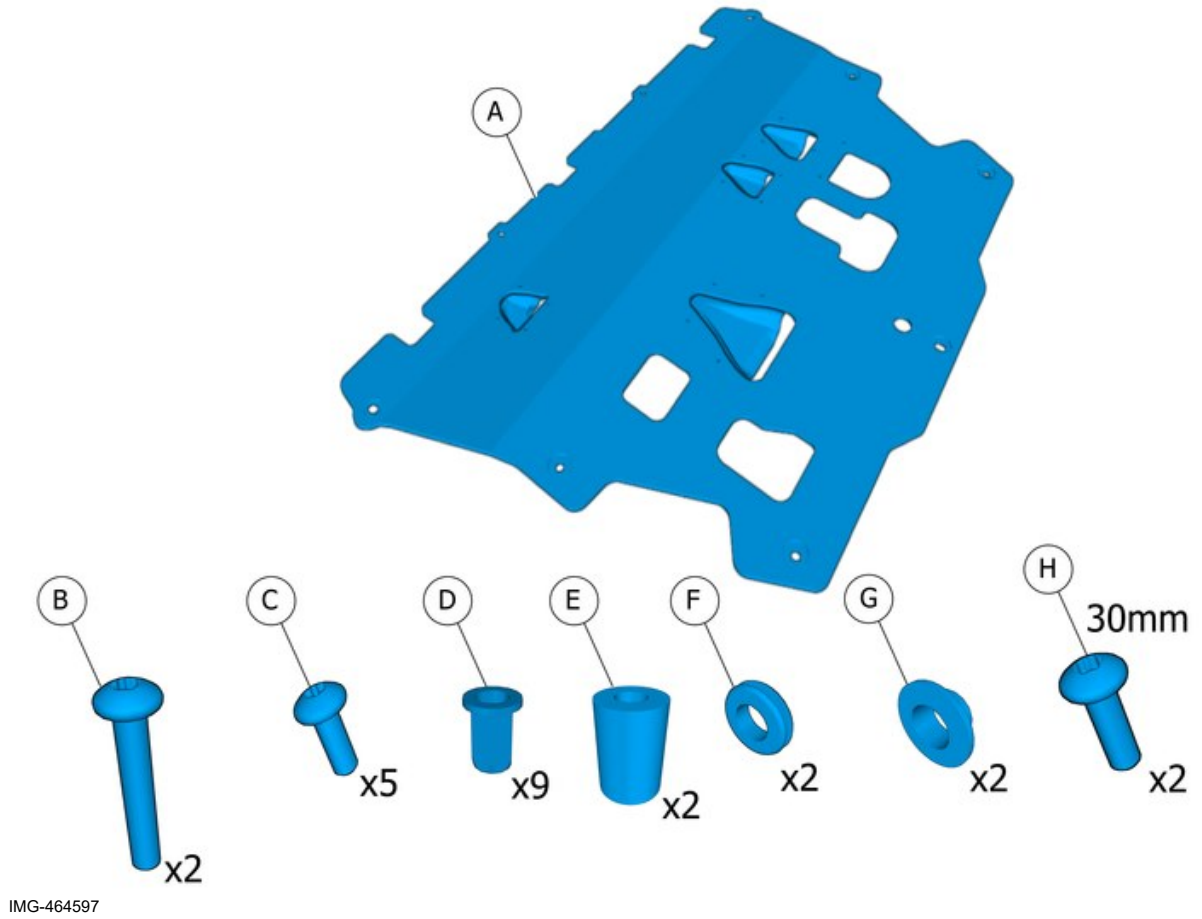
## Equipment





# Installation instructions, accessories

Volvo Car Corporation Gothenburg, Sweden





# Installation instructions, accessories

Volvo Car Corporation Gothenburg, Sweden

## Information

1

Read through all of the instructions before starting installation.

Notifications and warning texts are for your safety and to minimise the risk of something breaking during installation.

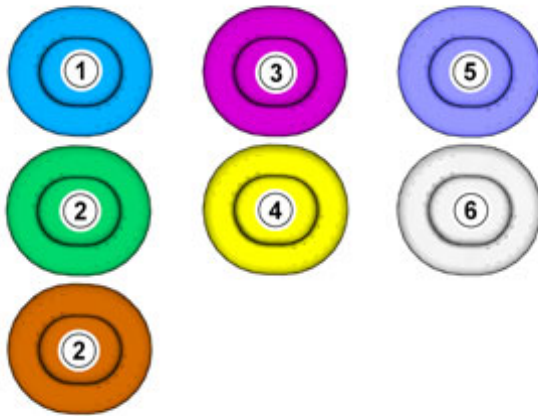
Ensure that all tools stated in the instructions are available before starting installation.

Certain steps in the instructions are only presented in the form of images. Explanatory text is also given for more complicated steps.

In the event of any problems with the instructions or the accessory, contact your local Volvo dealer.

## Color symbols

2



### Note!

This colour chart displays (in colour print and electronic version) the importance of the different colours used in the images of the method steps.

1. Used for focused component, the component with which you will do something.
2. Used as extra colors when you need to show or differentiate additional parts.
3. Used for attachments that are to be removed/installed. May be screws, clips, connectors, etc.
4. Used when the component is not fully removed from the vehicle but only hung to the side.
5. Used for standard tools and special tools.
6. Used as background color for vehicle components.

IMG-363036

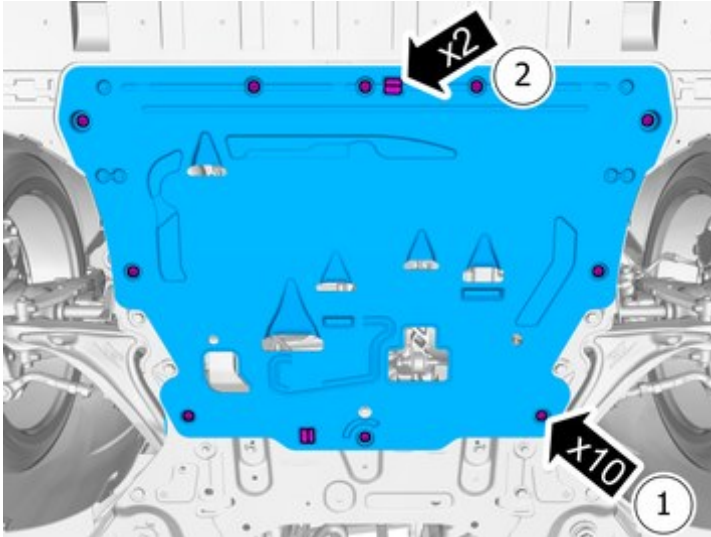
## Removal



# Installation instructions, accessories

Volvo Car Corporation Gothenburg, Sweden

3



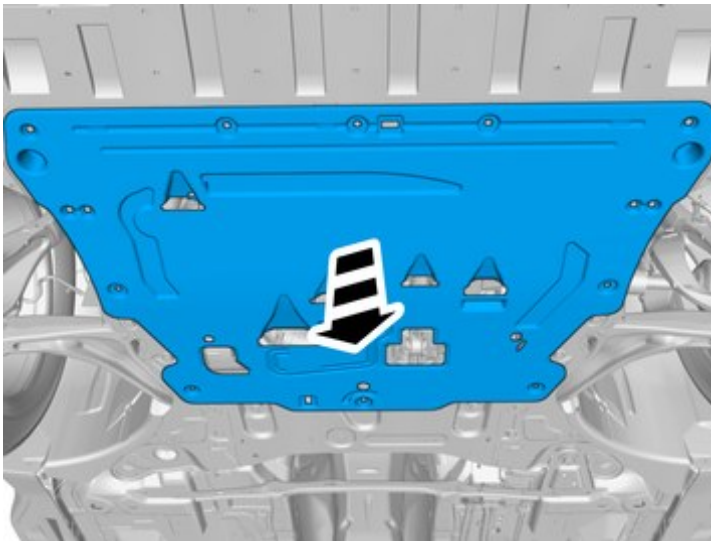
IMG-465413

1. Remove the screws.

2. Remove the clips.

The part is not to be reused.

4



IMG-387158

Remove the panel.

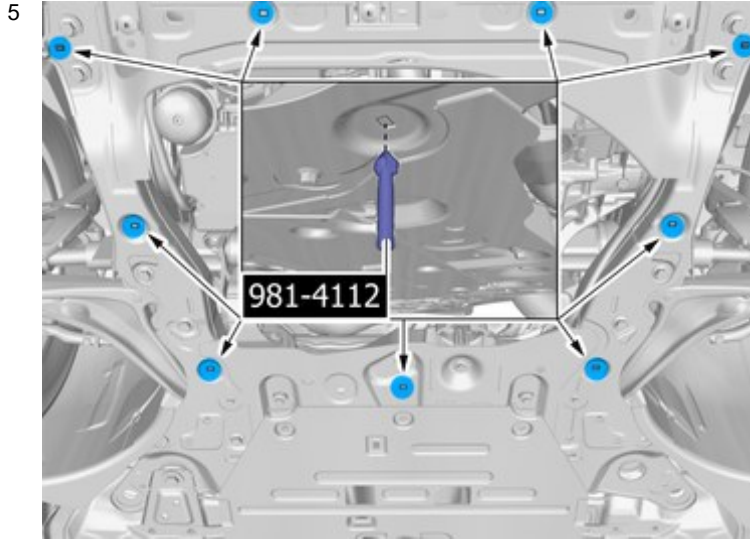
The part is not to be reused.

## Accessory installation



# Installation instructions, accessories

Volvo Car Corporation Gothenburg, Sweden



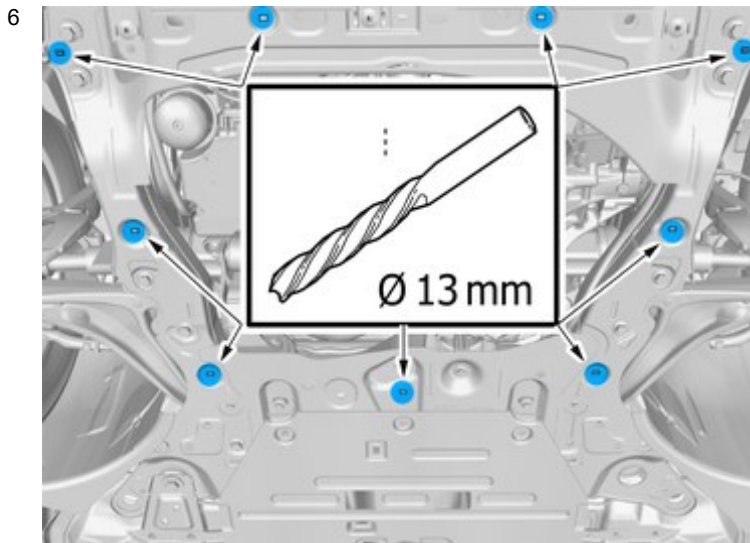
IMG-382659

**Warning!**  
Wear protective gloves.

**Warning!**  
Wear safety goggles.

Drill the holes.

**Use special tool:** T9814112, Drill



IMG-464497

**Warning!**  
Wear protective gloves.

**Warning!**  
Wear safety goggles.

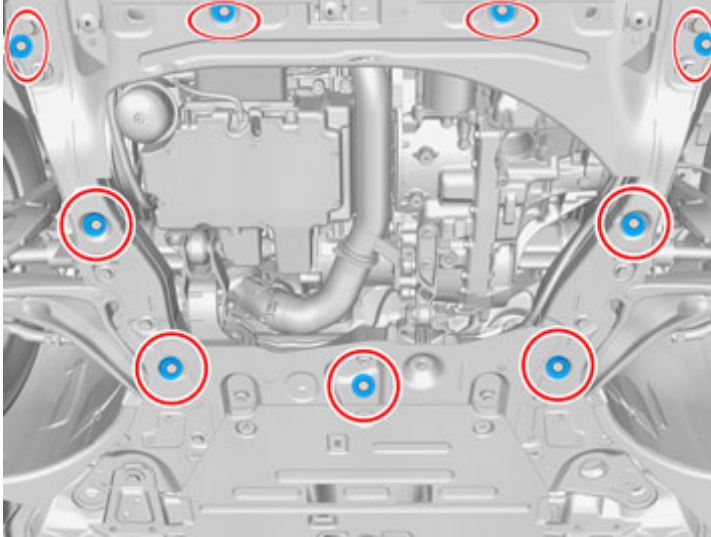
Drill the holes.



# Installation instructions, accessories

Volvo Car Corporation Gothenburg, Sweden

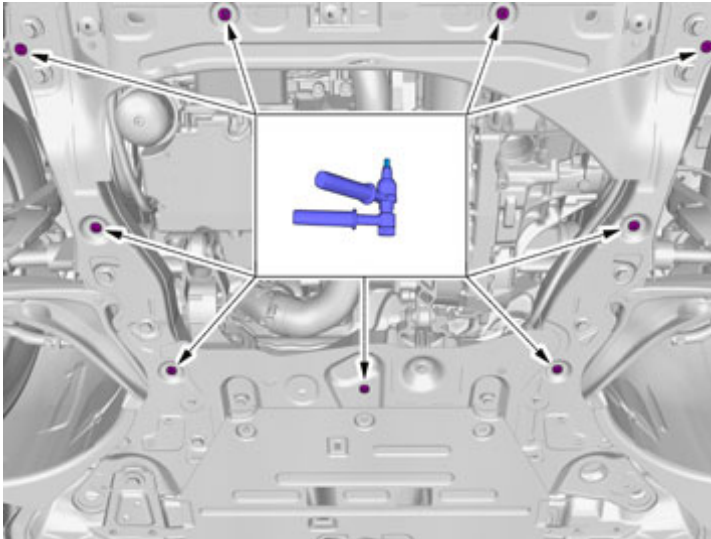
7



IMG-382663

**Use:** , Rust inhibitor, low viscosity

8



IMG-382636

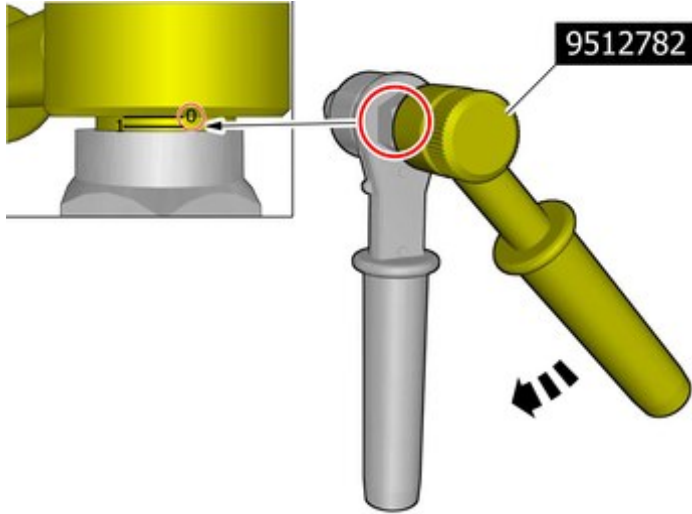
**Note!**  
Orientation view



# Installation instructions, accessories

Volvo Car Corporation Gothenburg, Sweden

9

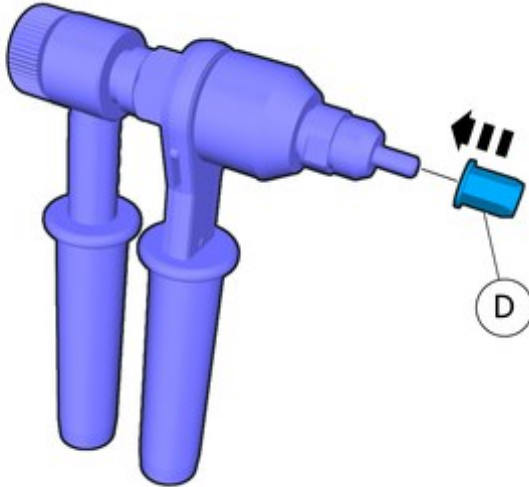


9512782

**Use special tool:** T9512782, Rivet nut tool  
Reset the tool.

IMG-372305

10



D

IMG-464604

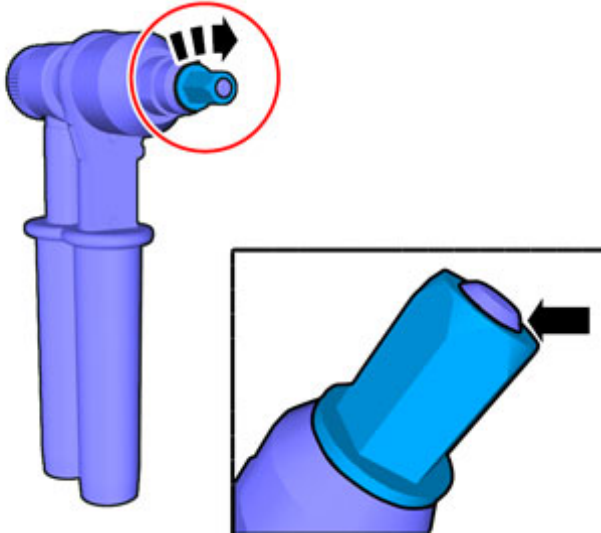




# Installation instructions, accessories

Volvo Car Corporation Gothenburg, Sweden

11

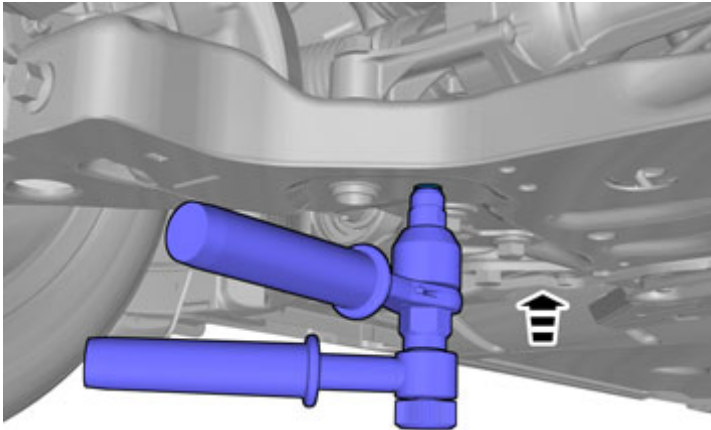


IMG-367098

Use hands only.

The outermost thread of the tool should be flush with the rivet nut end.

12



IMG-372295

Press the tool against the surface.

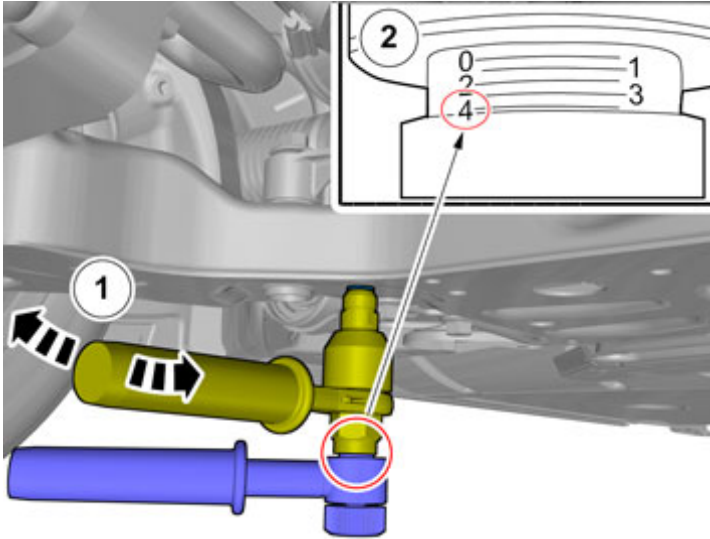
Hold the tool at right angles to the surface.



# Installation instructions, accessories

Volvo Car Corporation Gothenburg, Sweden

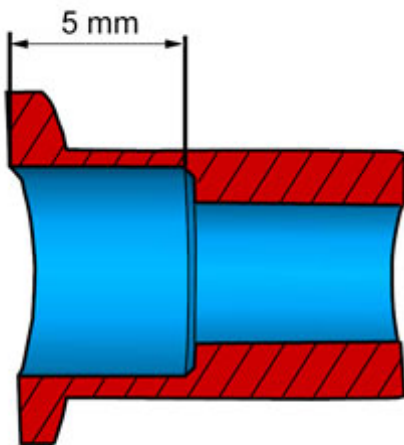
13



Tighten to the value stated.

IMG-372296

14



Measure

**Use:** Vernier caliper

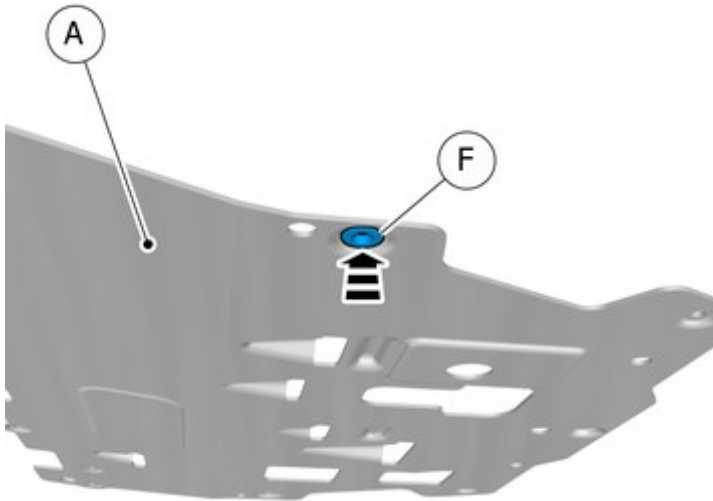
IMG-373060



# Installation instructions, accessories

Volvo Car Corporation Gothenburg, Sweden

15

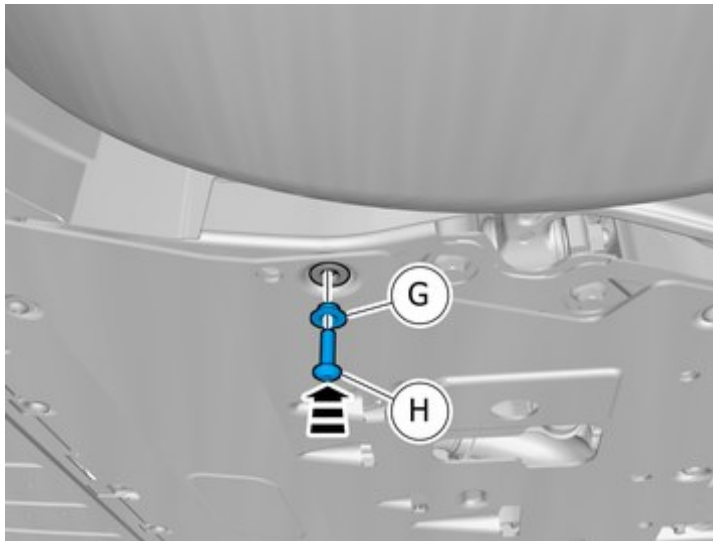


IMG-464561

Install components that come with the accessory kit.

Repeat on the other side.

16



IMG-464568

**Note!**

Do not fully tighten the bolts.

Install components that come with the accessory kit.

Use the black screws.

Repeat on the other side.

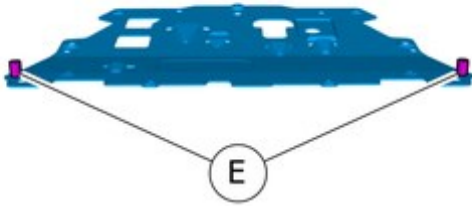


# Installation instructions, accessories

Volvo Car Corporation Gothenburg, Sweden

17

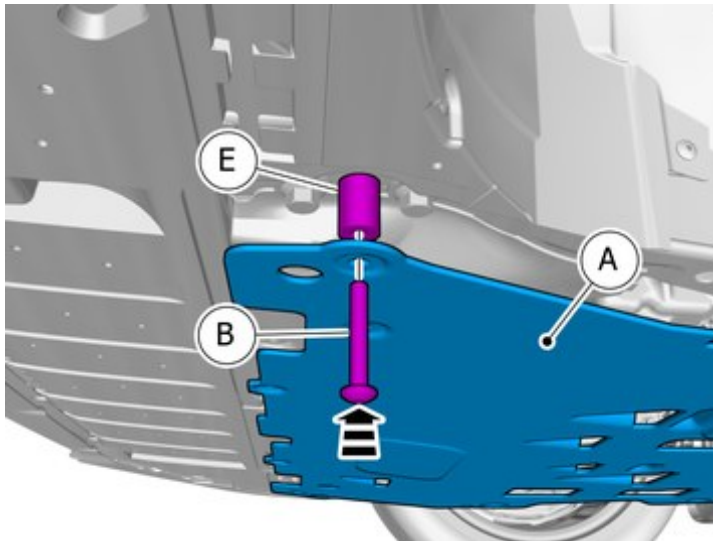
**Note!**  
Orientation view



IMG-464503

18

**Note!**  
Do not fully tighten the bolts.



Install the screws.

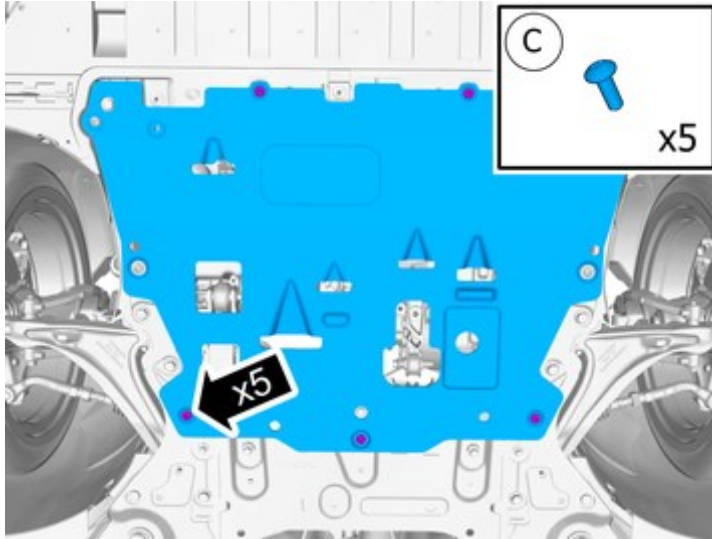
IMG-464605



# Installation instructions, accessories

Volvo Car Corporation Gothenburg, Sweden

19

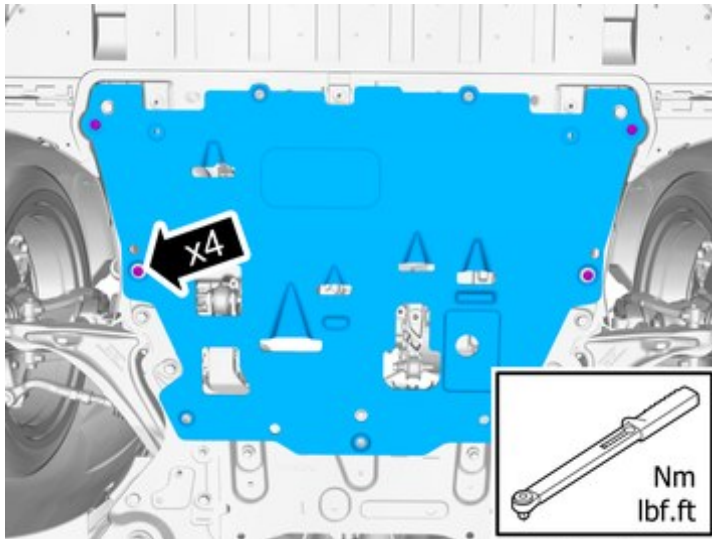


IMG-464615

Tighten the bolts.

**Tightening torque:** M10 , 50 Nm

20



IMG-464616

Tighten the bolts.

**Tightening torque:** M10 , 50 Nm