

# Installation instructions, accessories

Volvo Car Corporation Gothenburg, Sweden

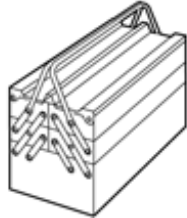
**Instruction No** 31414696    **Version** 1.0    **Part. No.** 31408799, 31408798, 31428773, 31428772, 31414912, 31414911

## Combi instruments

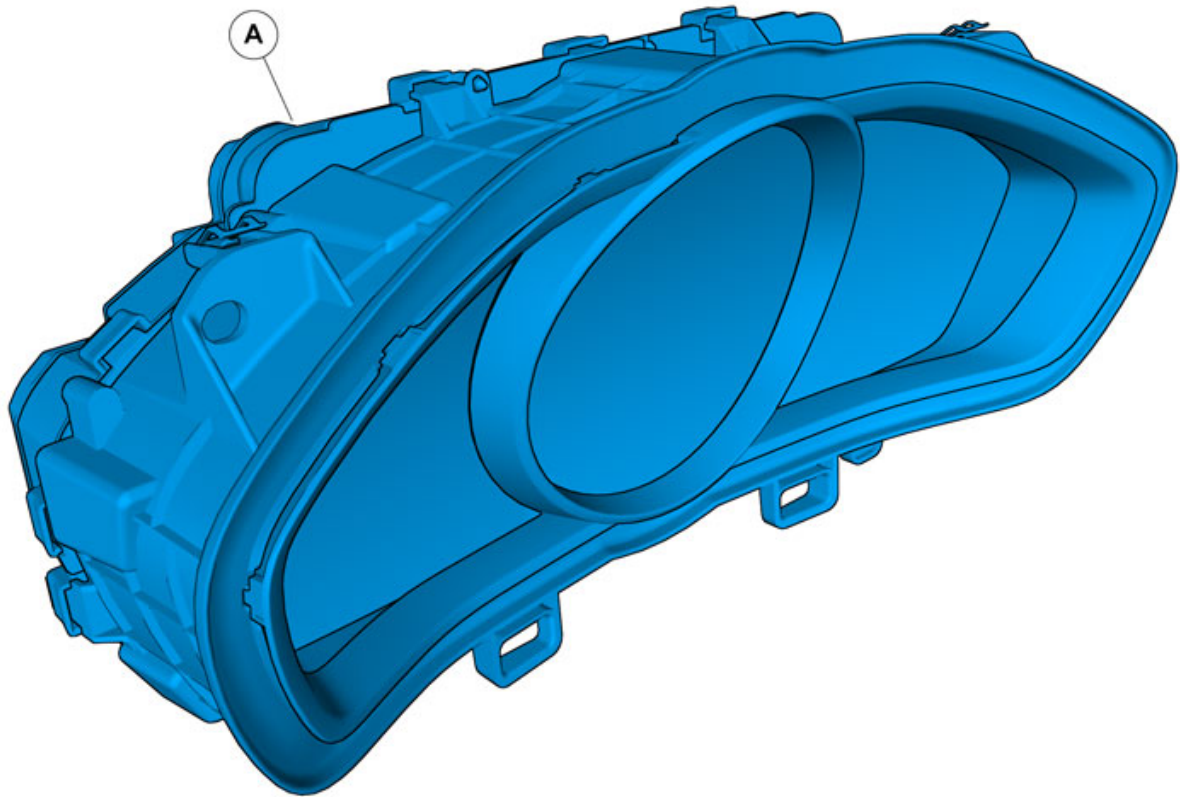
### Equipment

**VIDA**

IMG-242205



IMG-345497



IMG-380910

# Installation instructions, accessories

Volvo Car Corporation Gothenburg, Sweden

---

## Information

---

1

Read through all of the instructions before starting installation.

Notifications and warning texts are for your safety and to minimise the risk of something breaking during installation.

Ensure that all tools stated in the instructions are available before starting installation.

Certain steps in the instructions are only presented in the form of images. Explanatory text is also given for more complicated steps.

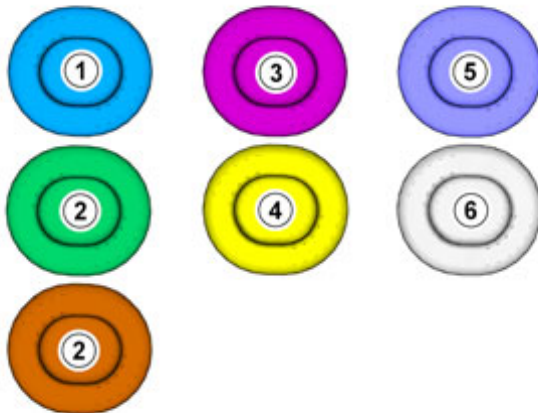
In the event of any problems with the instructions or the accessory, contact your local Volvo dealer.

---

## Color symbols

---

2



IMG-363036

### Note!

This colour chart displays (in colour print and electronic version) the importance of the different colours used in the images of the method steps.

1. Used for focused component, the component with which you will do something.
  2. Used as extra colors when you need to show or differentiate additional parts.
  3. Used for attachments that are to be removed/installed. May be screws, clips, connectors, etc.
  4. Used when the component is not fully removed from the vehicle but only hung to the side.
  5. Used for standard tools and special tools.
  6. Used as background color for vehicle components.
- 

## Removal

---

# Installation instructions, accessories

Volvo Car Corporation Gothenburg, Sweden

3

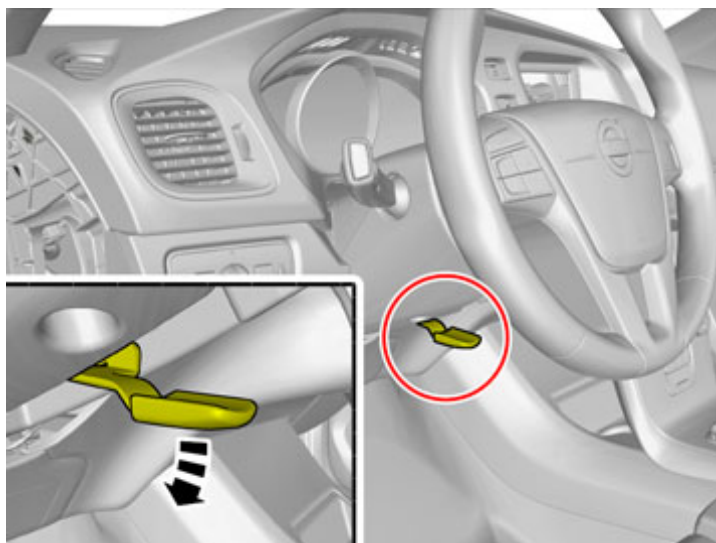
Set the ignition key to position 0.



IMG-332193

4

Release the lock.

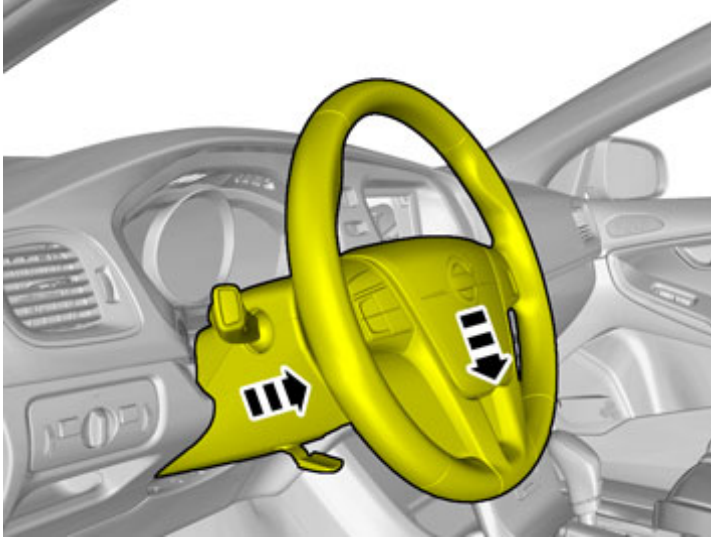


IMG-361756

# Installation instructions, accessories

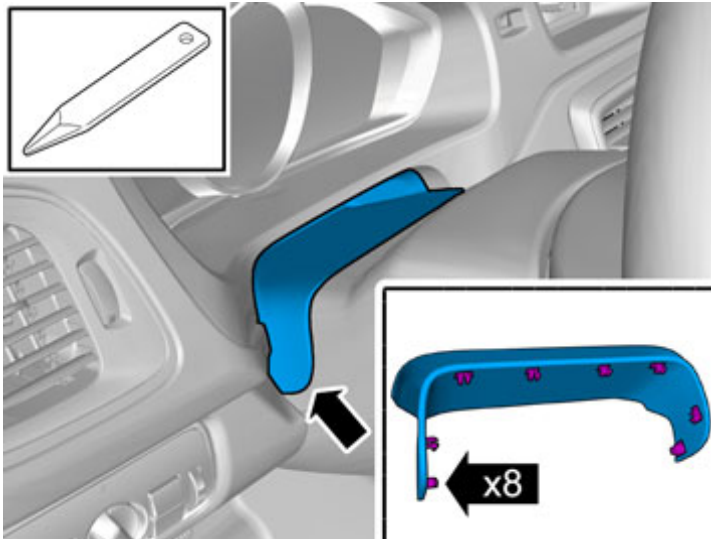
Volvo Car Corporation Gothenburg, Sweden

5



IMG-361757

6

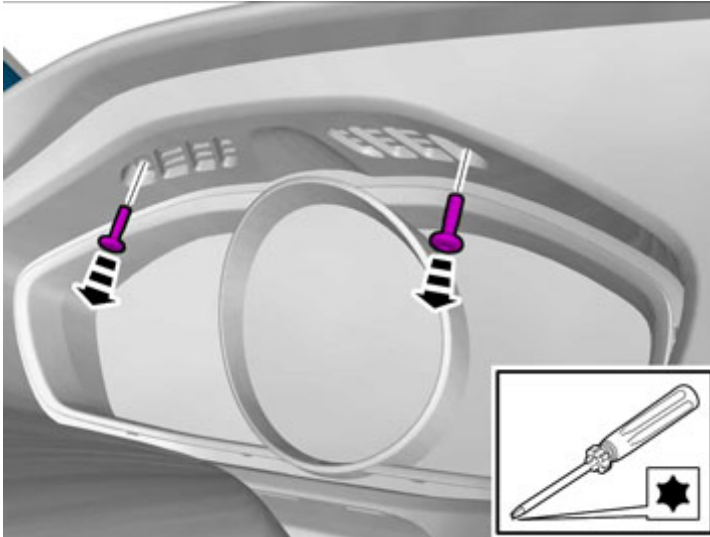


IMG-368346

# Installation instructions, accessories

Volvo Car Corporation Gothenburg, Sweden

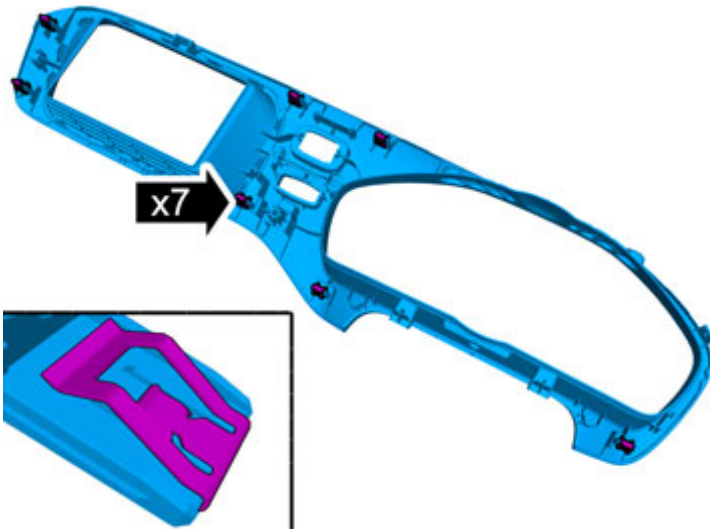
7



IMG-352828

Remove the screws.

8



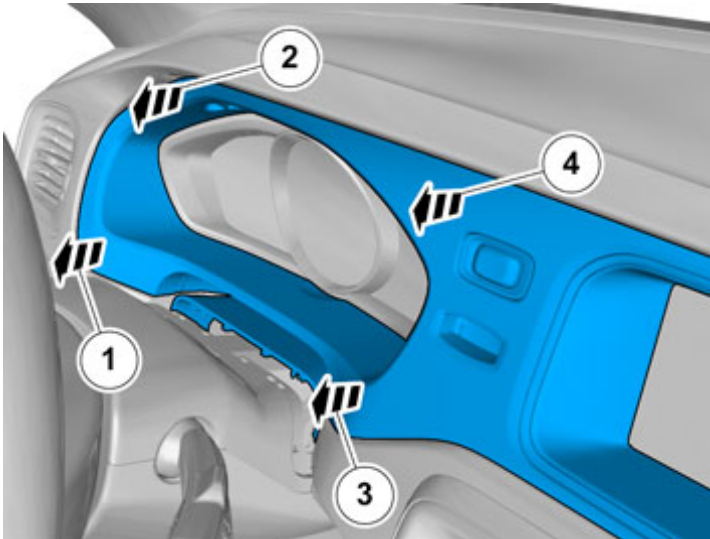
IMG-371226

**Note!**  
The graphic shows the back of the component before removal.

# Installation instructions, accessories

Volvo Car Corporation Gothenburg, Sweden

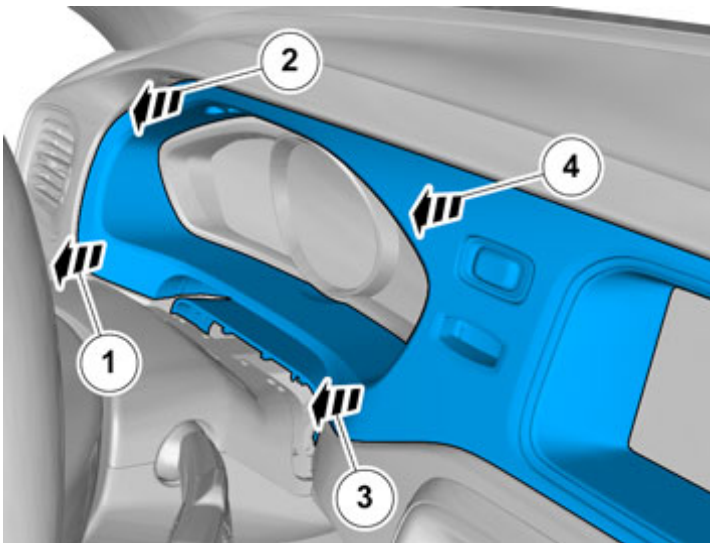
9



IMG-371229

Use hands only.

10



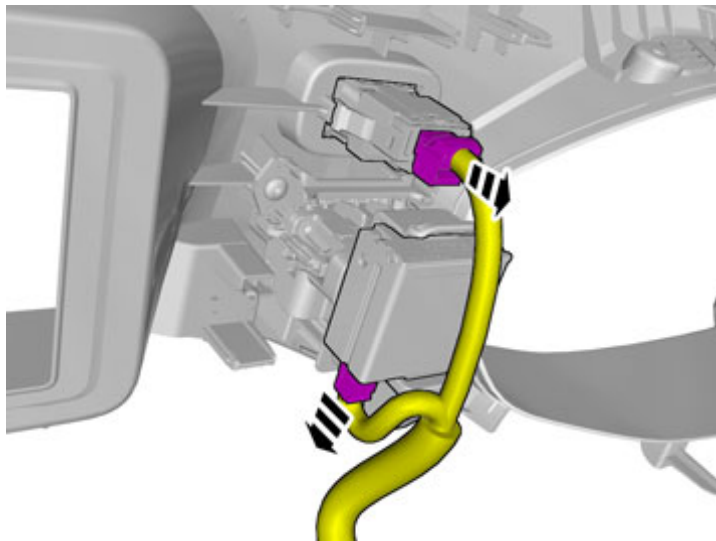
IMG-371229

Use hands only.

# Installation instructions, accessories

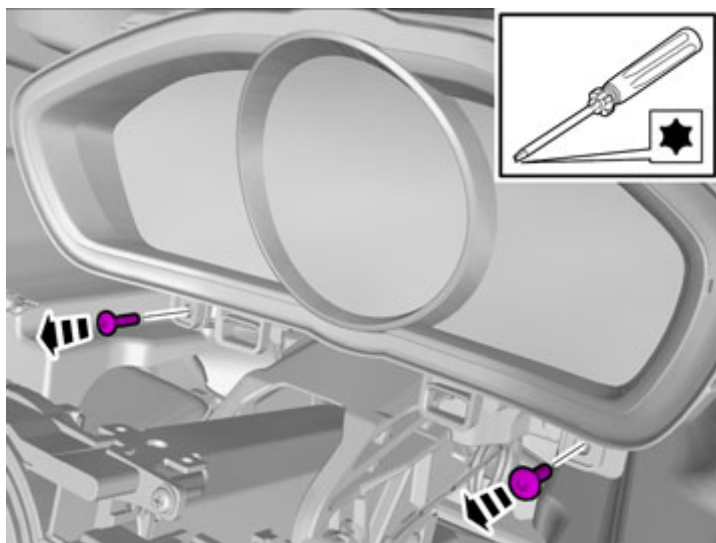
Volvo Car Corporation Gothenburg, Sweden

11



IMG-367433

12



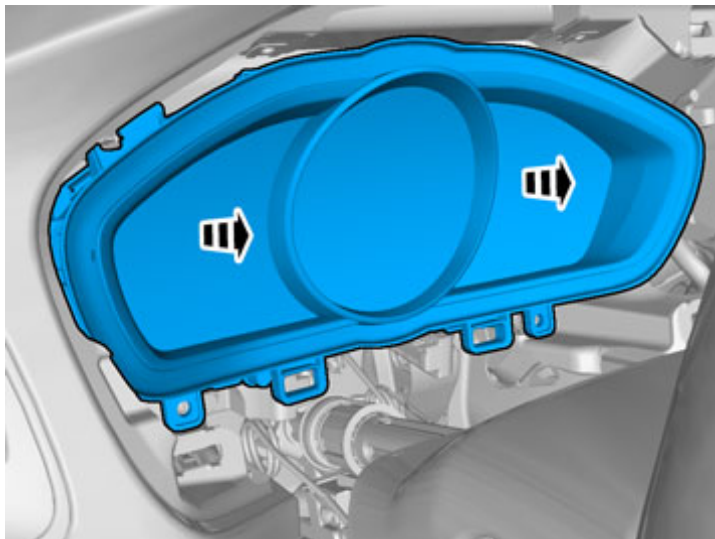
IMG-361767

Remove the screws.

# Installation instructions, accessories

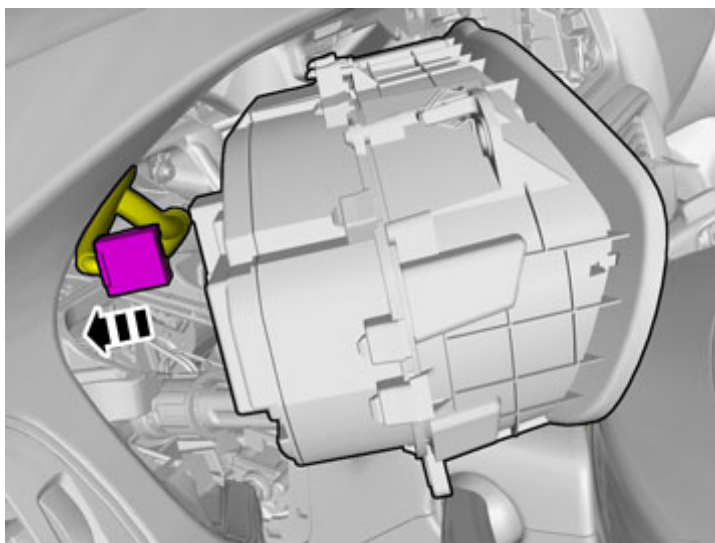
Volvo Car Corporation Gothenburg, Sweden

13



IMG-361777

14



IMG-361776

Disconnect the connector.  
The part is not to be reused.

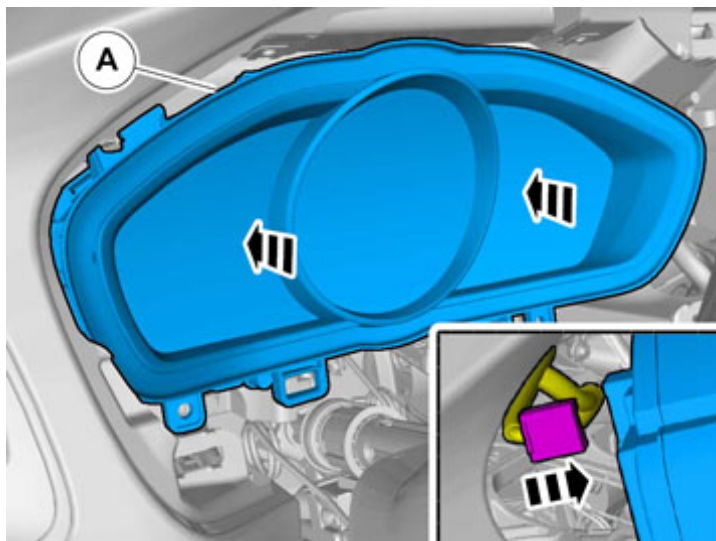
## Accessory installation



# Installation instructions, accessories

Volvo Car Corporation Gothenburg, Sweden

15



IMG-380907

Install component that comes with the accessory kit.

16

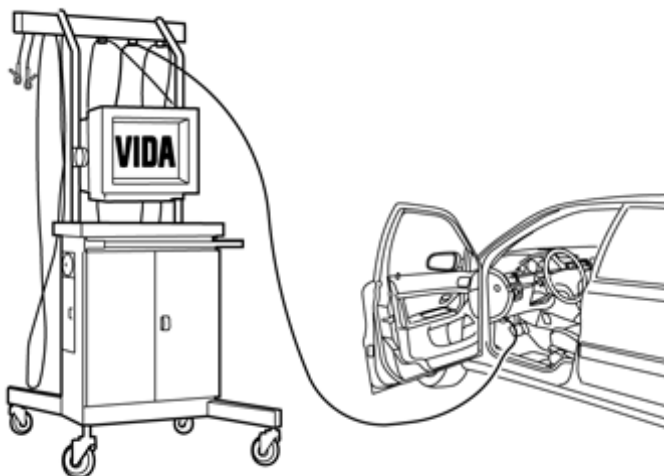
Reinstall the removed parts in reverse order.

IMG-377070

# Installation instructions, accessories

Volvo Car Corporation Gothenburg, Sweden

17



IMG-242268

Download software (application) for the accessory's function according to the service information in VIDA. See VIDA or the accessories catalogue for software part number.