



Installation instructions, accessories

Volvo Car Corporation Gothenburg, Sweden

Instruction No	Version	Part. No.
31650293	1.0	31650287

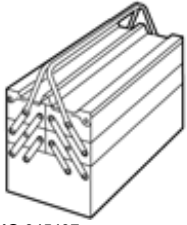
Mudflaps, front



Installation instructions, accessories

Volvo Car Corporation Gothenburg, Sweden

Equipment



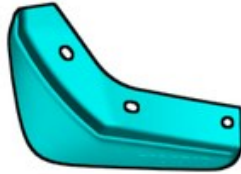
IMG-345497



IMG-268803



IMG-239981



x6



x2

IMG-441737



Installation instructions, accessories

Volvo Car Corporation Gothenburg, Sweden

Information

1

Read through all of the instructions before starting installation.

Notifications and warning texts are for your safety and to minimise the risk of something breaking during installation.

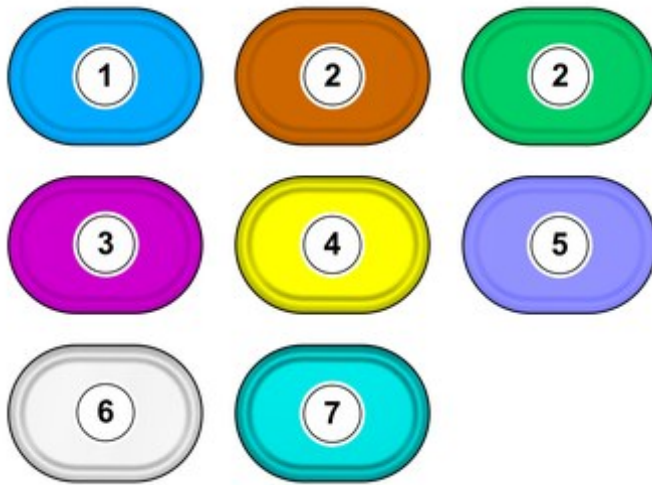
Ensure that all tools stated in the instructions are available before starting installation.

Certain steps in the instructions are only presented in the form of images. Explanatory text is also given for more complicated steps.

In the event of any problems with the instructions or the accessory, contact your local Volvo dealer.

Color symbols

2



IMG-400010

Note!

This colour chart displays (in colour print and electronic version) the importance of the different colours used in the images of the method steps.

1. Used for focused component, the component with which you will do something.
2. Used as extra colors when you need to show or differentiate additional parts.
3. Used for attachments that are to be removed/installed. May be screws, clips, connectors, etc.
4. Used when the component is not fully removed from the vehicle but only hung to the side.
5. Used for standard tools and special tools.
6. Used as background color for vehicle components.
7. Used for accessory components.

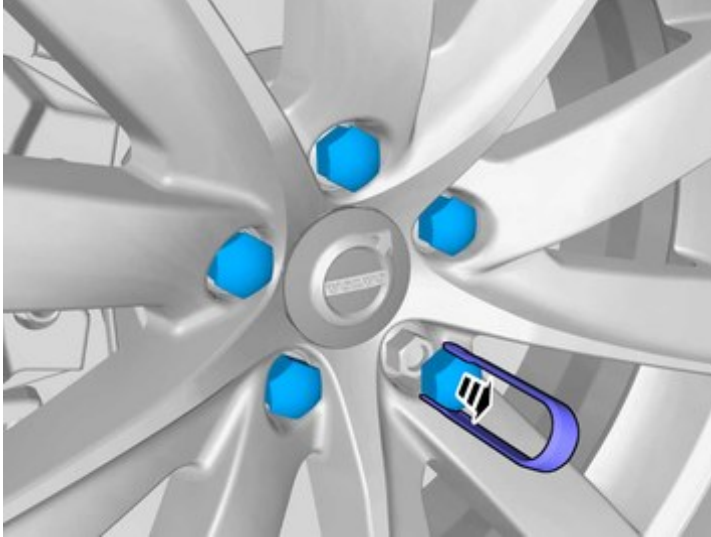
Preparation



Installation instructions, accessories

Volvo Car Corporation Gothenburg, Sweden

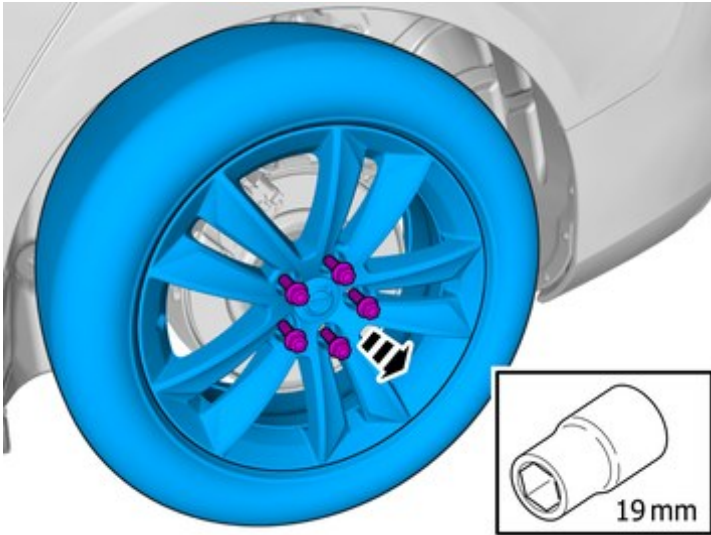
3



IMG-441867

Remove the marked part.

4



IMG-441820

Remove the marked part.

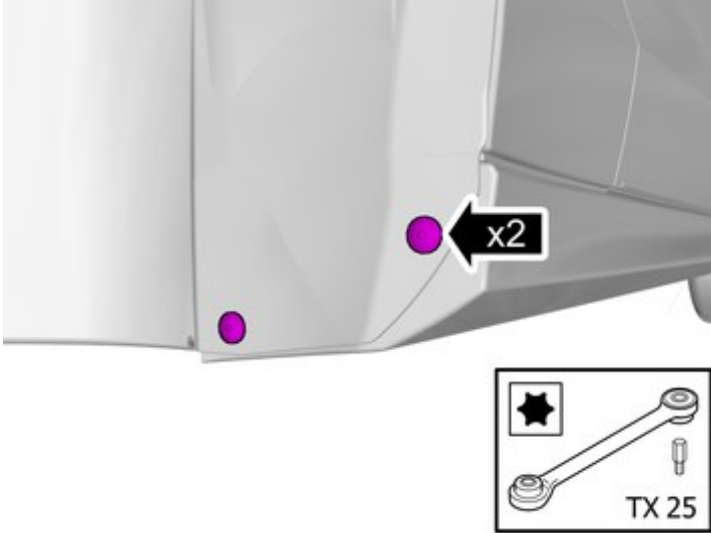
Removal



Installation instructions, accessories

Volvo Car Corporation Gothenburg, Sweden

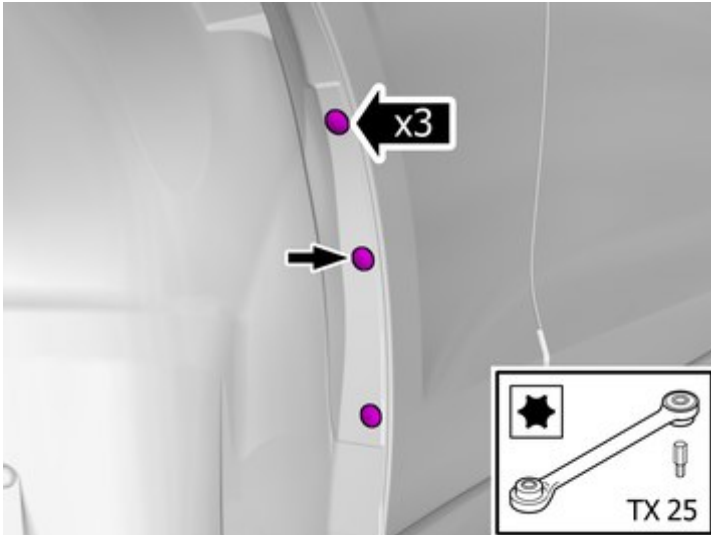
5



Remove the screws.

IMG-441631

6



Remove the screws.

IMG-441779

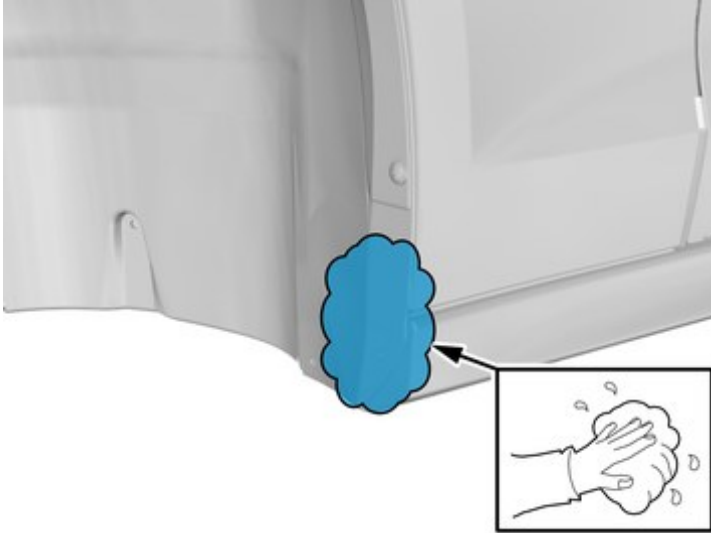
Preparation



Installation instructions, accessories

Volvo Car Corporation Gothenburg, Sweden

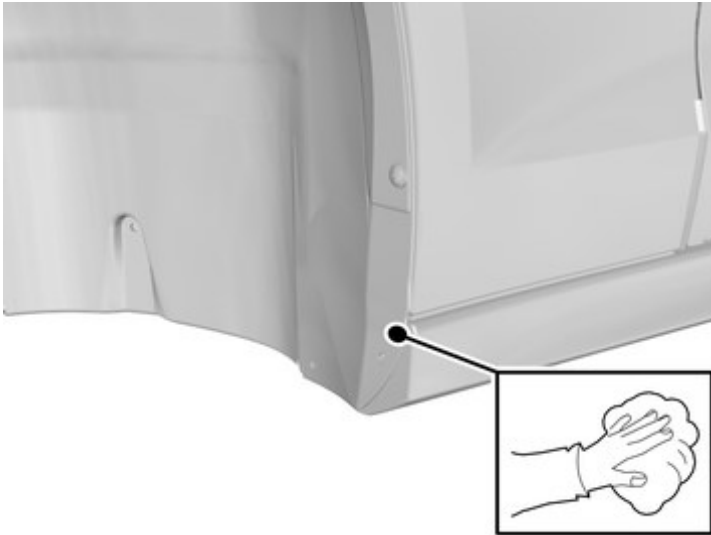
7



Clean the surfaces.

IMG-441633

8



Wipe dry.

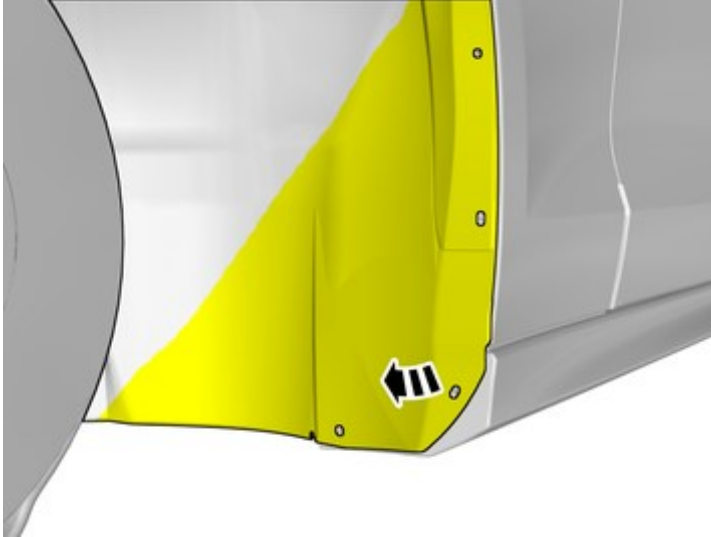
IMG-441634



Installation instructions, accessories

Volvo Car Corporation Gothenburg, Sweden

9

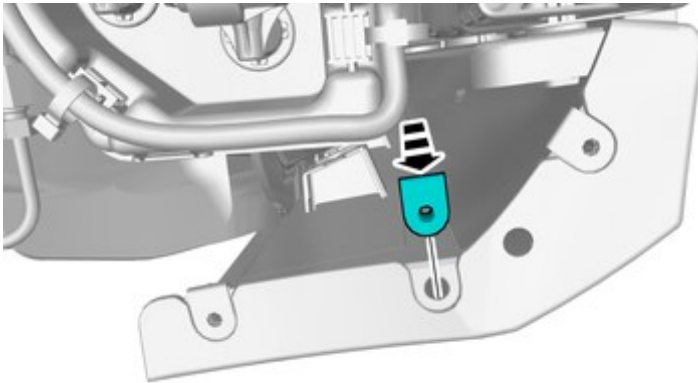


IMG-441780

Fold marked part aside.

Accessory installation

10



IMG-441860

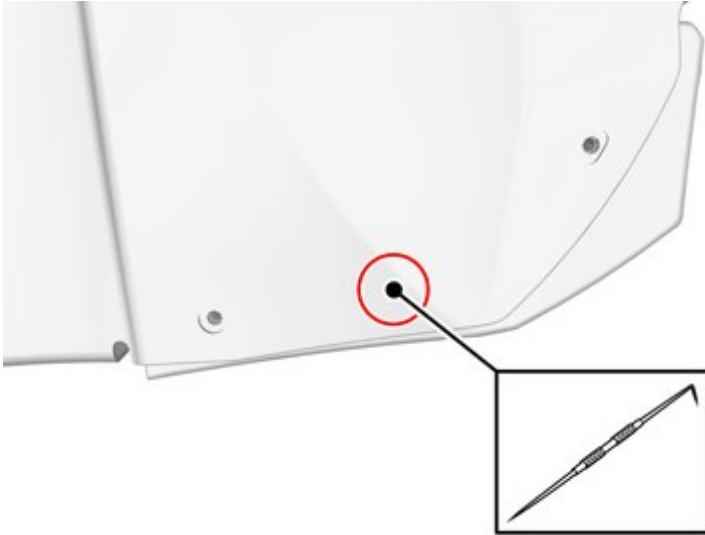
Install component that comes with the accessory kit.



Installation instructions, accessories

Volvo Car Corporation Gothenburg, Sweden

11

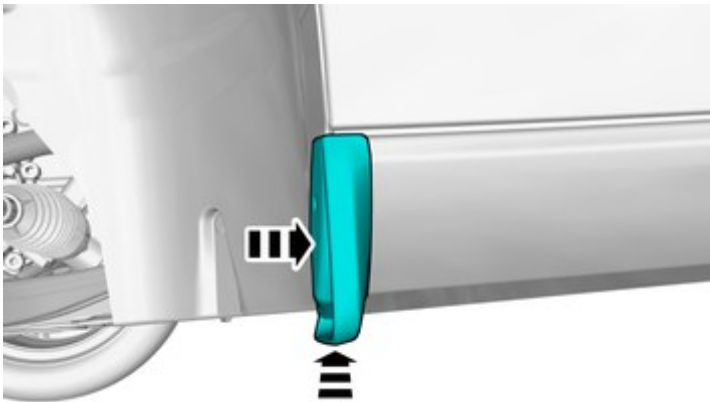


IMG-441853

Locate the existing holes.

Make a hole, using the tool indicated.

12



IMG-441863

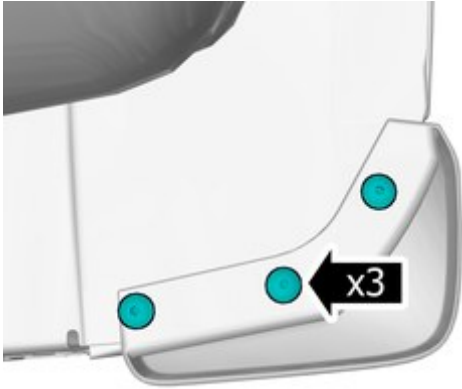
Install components that come with the accessory kit.



Installation instructions, accessories

Volvo Car Corporation Gothenburg, Sweden

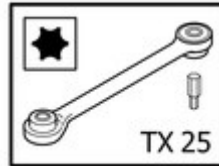
13



Note!

Ensure that the component is in contact with the surface, with no space.

Install component that comes with the accessory kit.



IMG-441864

14

Reinstall the removed parts in reverse order.

15

Repeat all method steps for the other side.