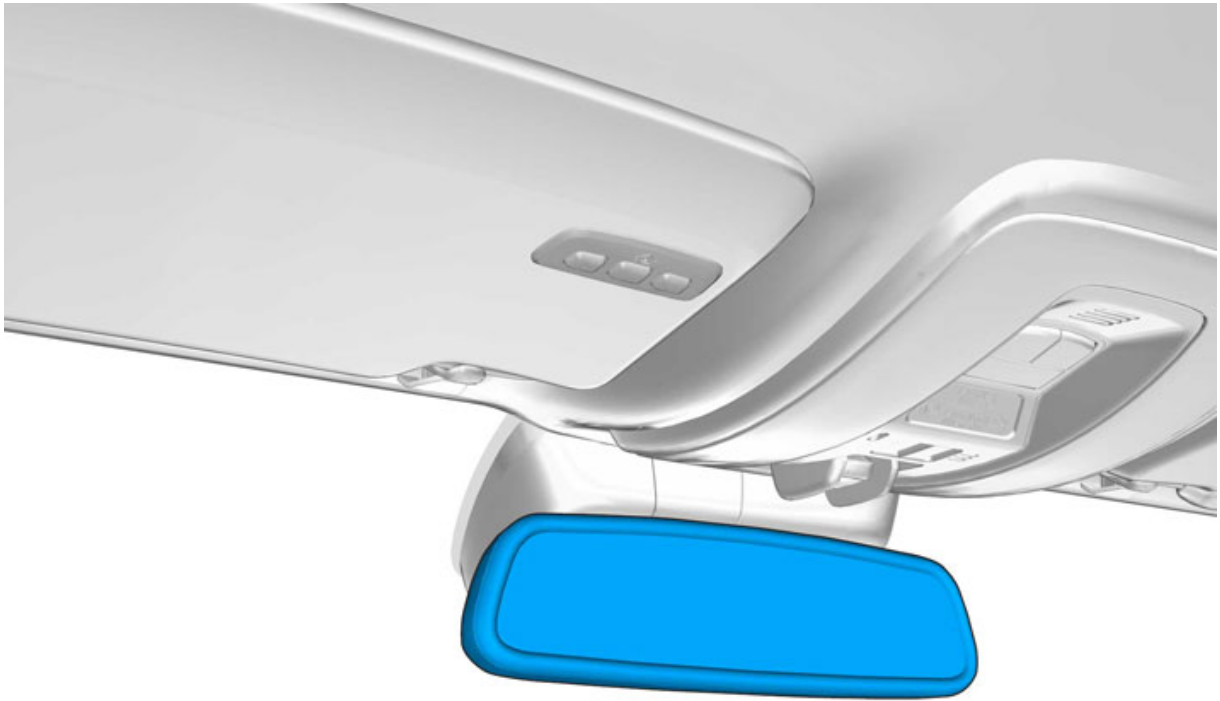


Installation instructions, accessories

Volvo Car Corporation Gothenburg, Sweden

Instruction No 31316437 **Version** 1.1 **Part. No.** 31402730, 31352951, 30799046

Mirror, rearview, autodimming

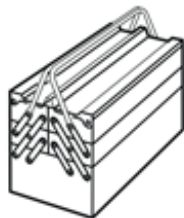


IMG-338611

Equipment

VIDA

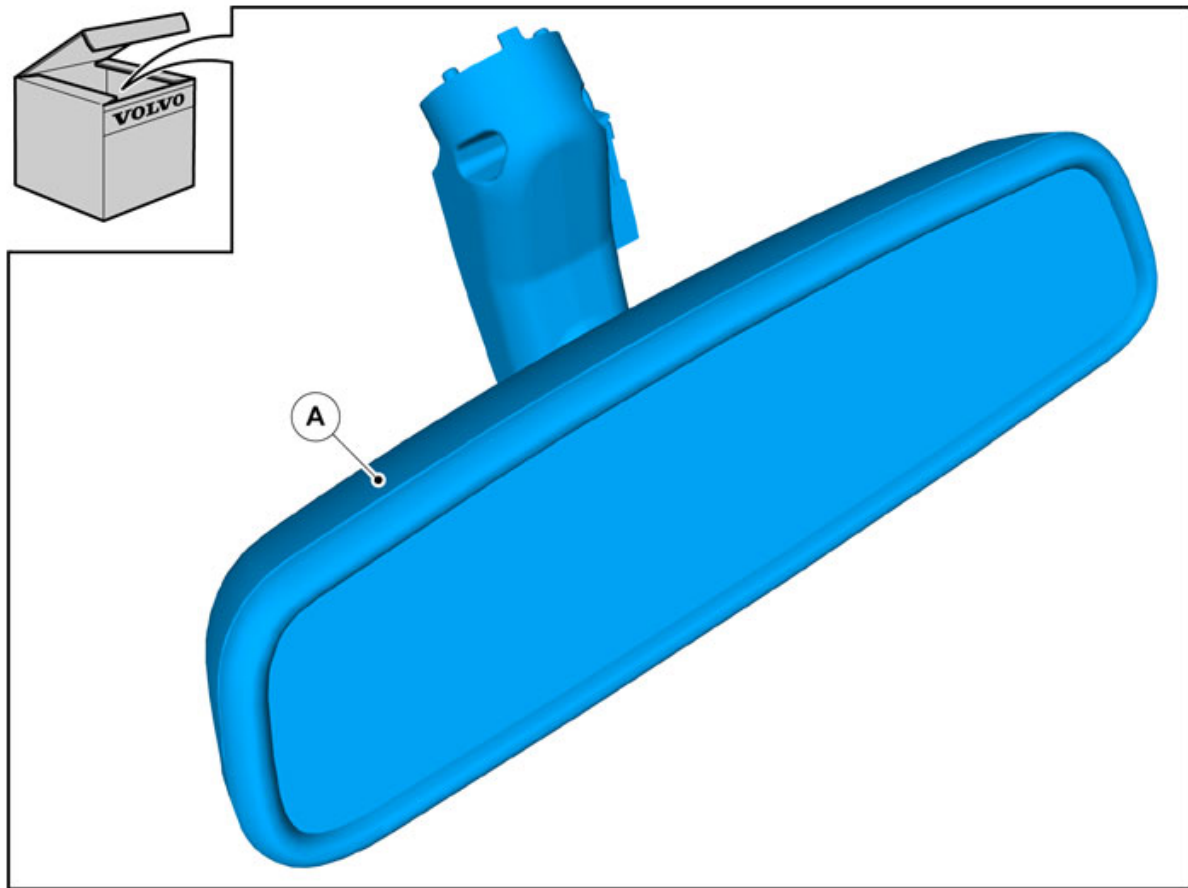
IMG-242205



A0000162

Installation instructions, accessories

Volvo Car Corporation Gothenburg, Sweden



IMG-338612

Installation instructions, accessories

Volvo Car Corporation Gothenburg, Sweden

Information

1

Read through all of the instructions before starting installation.

Notifications and warning texts are for your safety and to minimise the risk of something breaking during installation.

Ensure that all tools stated in the instructions are available before starting installation.

Certain steps in the instructions are only presented in the form of images. Explanatory text is also given for more complicated steps.

In the event of any problems with the instructions or the accessory, contact your local Volvo dealer.

Conditions

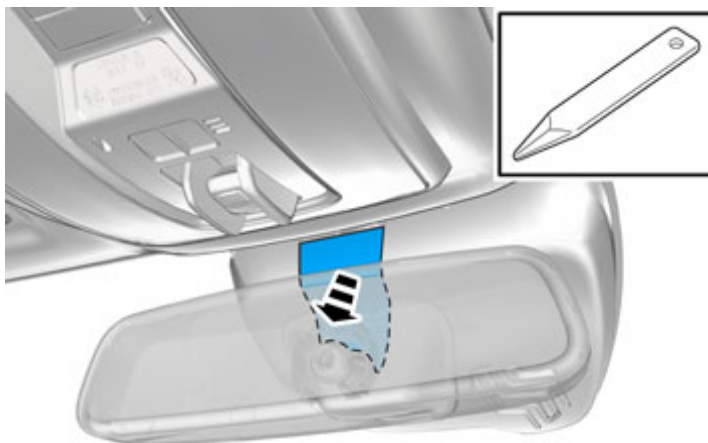
2

Set the ignition key to position 0.



IMG-332193

3

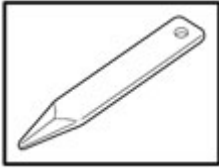
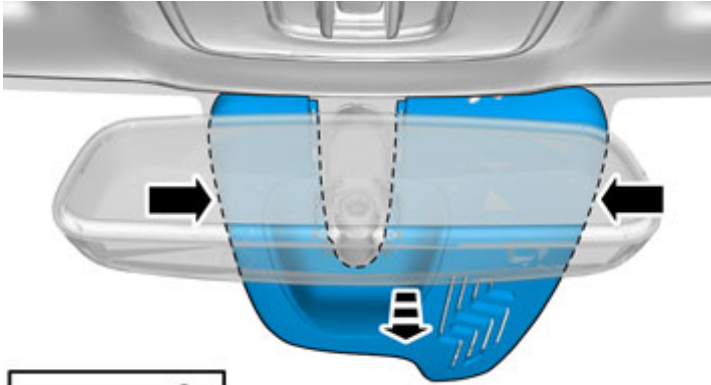


IMG-338613

Installation instructions, accessories

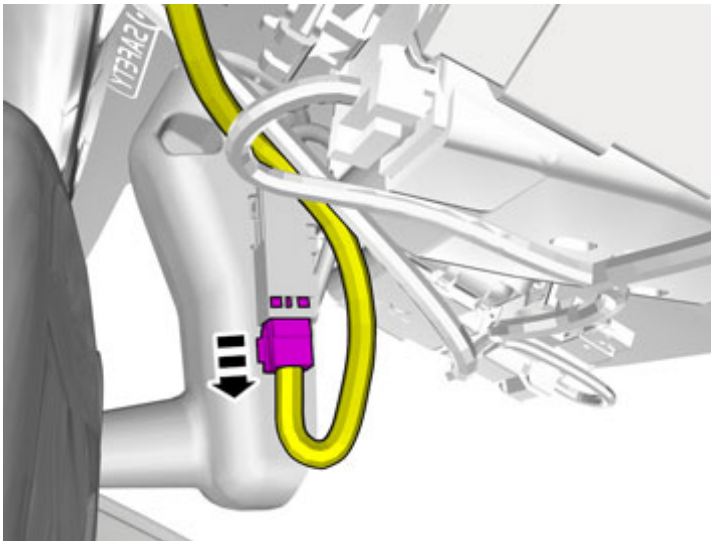
Volvo Car Corporation Gothenburg, Sweden

4



IMG-338614

5



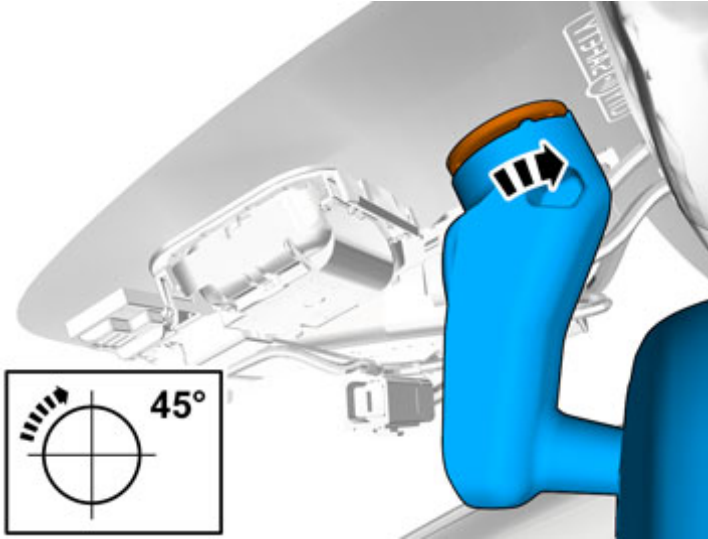
IMG-338615

Disconnect any connector(s).

Installation instructions, accessories

Volvo Car Corporation Gothenburg, Sweden

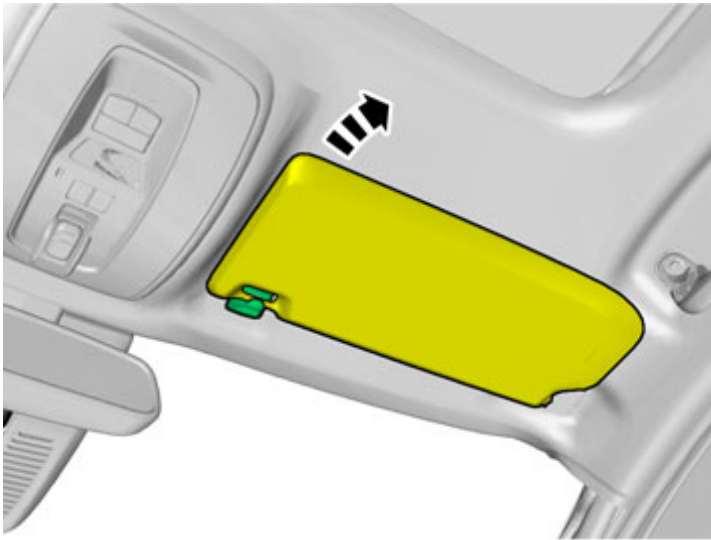
6



IMG-338616

Vehicles with manual dimming interior mirror

7

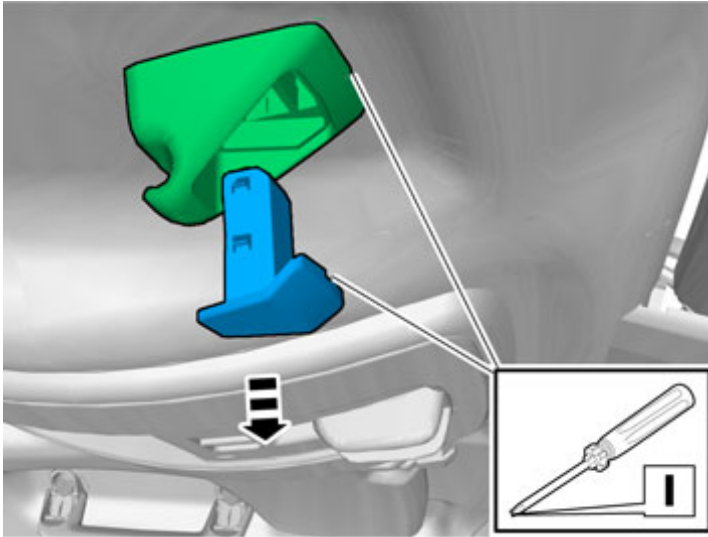


IMG-304689

Installation instructions, accessories

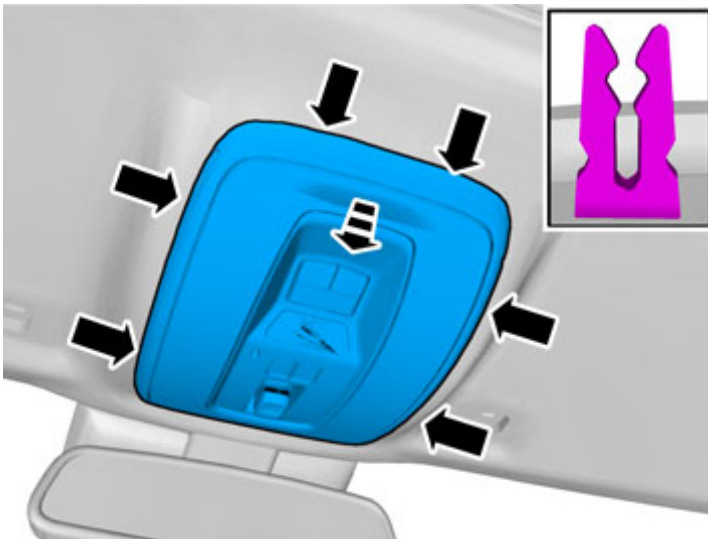
Volvo Car Corporation Gothenburg, Sweden

8



IMG-304690

9

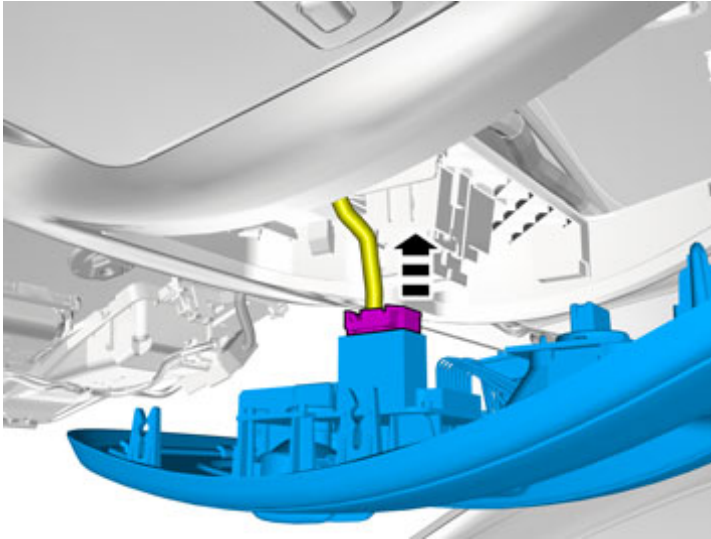


IMG-304691

Installation instructions, accessories

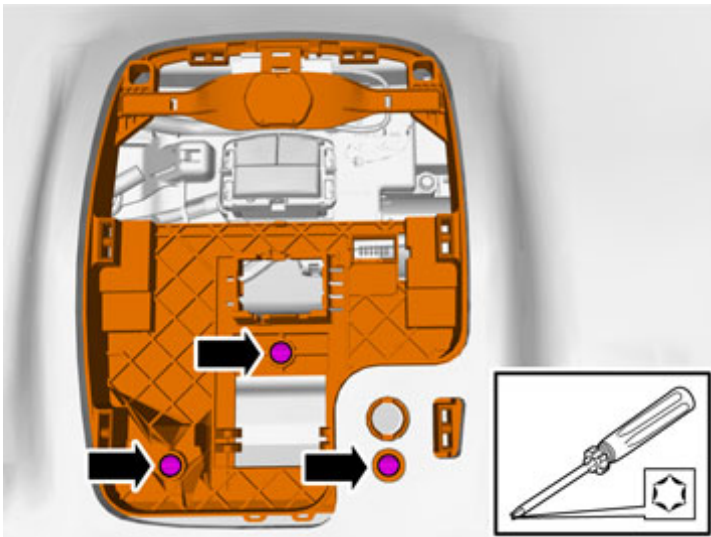
Volvo Car Corporation Gothenburg, Sweden

10



IMG-338621

11

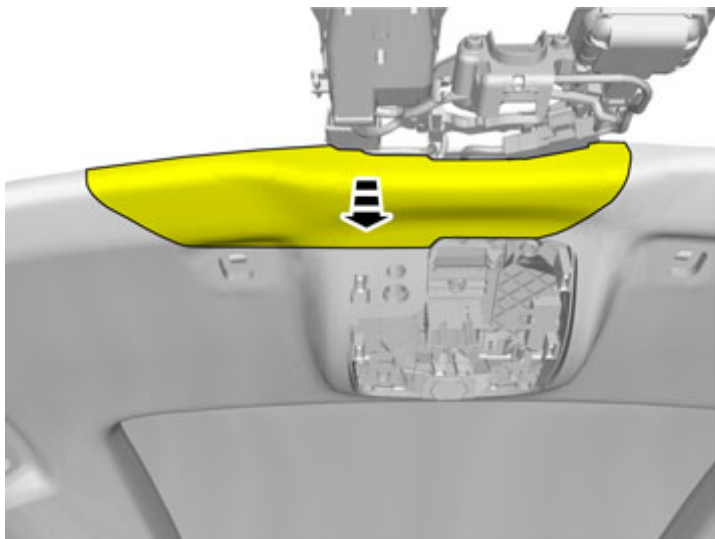


IMG-304692

Installation instructions, accessories

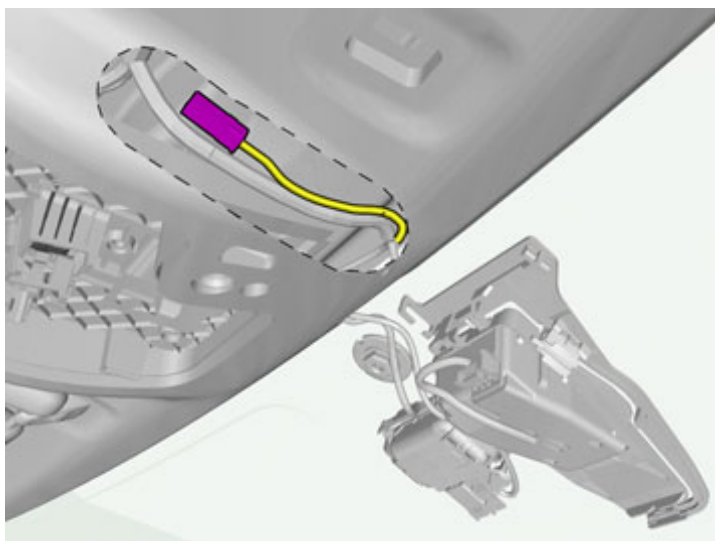
Volvo Car Corporation Gothenburg, Sweden

12



IMG-304693

13



IMG-350152

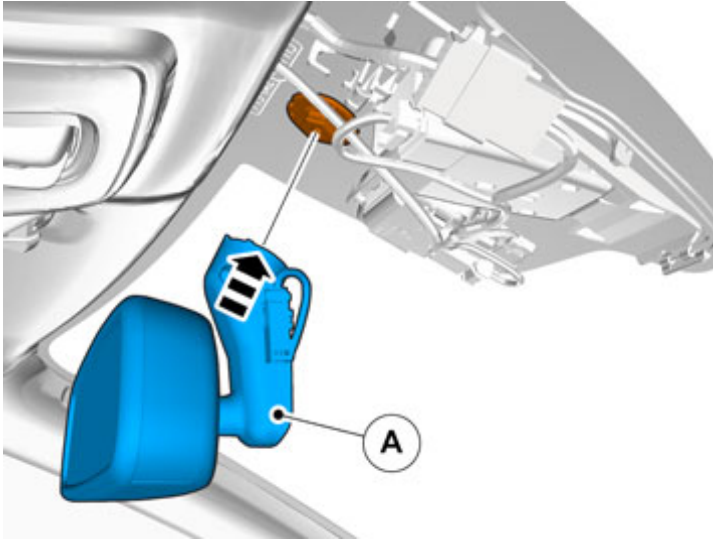
Locate the pre-routed connector.

All vehicles

Installation instructions, accessories

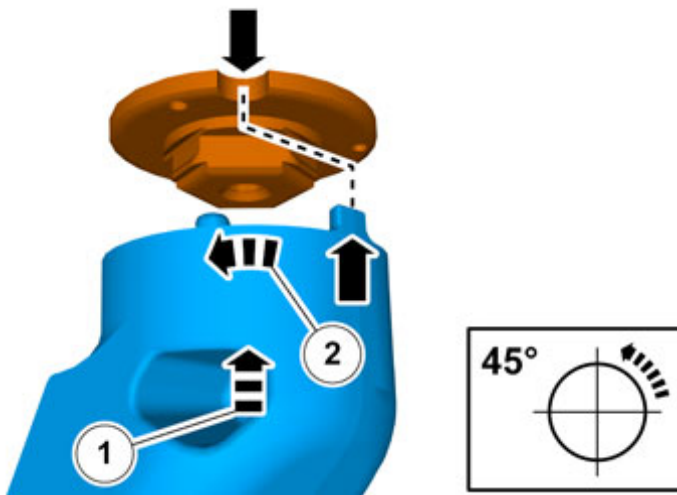
Volvo Car Corporation Gothenburg, Sweden

14



IMG-338617

15

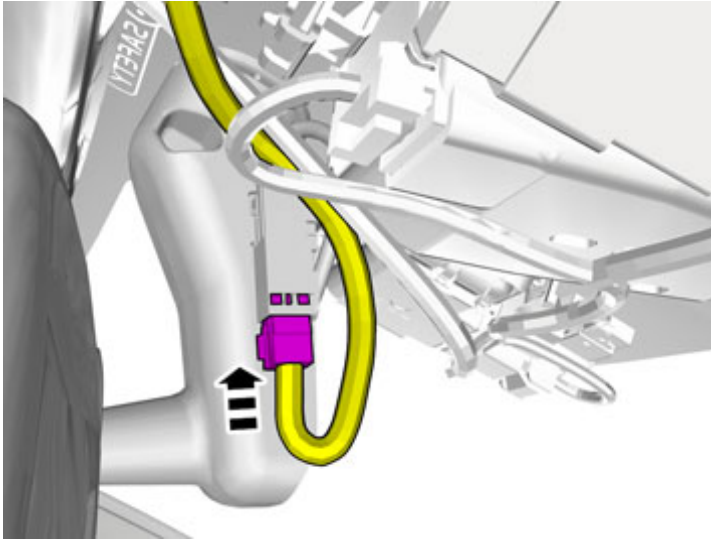


IMG-338619

Installation instructions, accessories

Volvo Car Corporation Gothenburg, Sweden

16

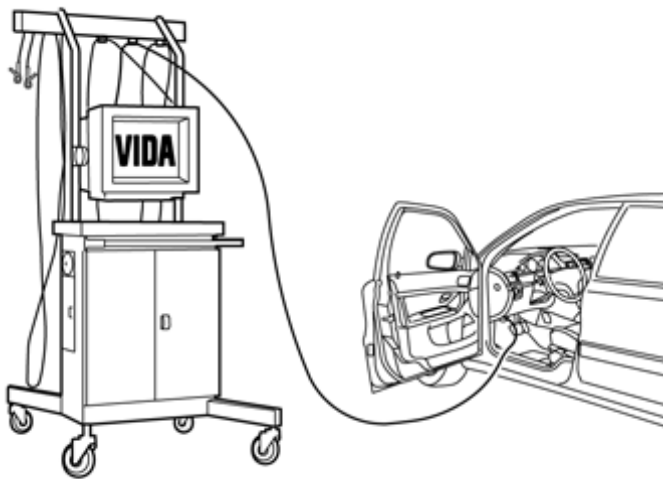


IMG-338620

Connect the connector.

Reinstall the removed parts in reverse order.

17



IMG-242268

Download software (application) for the accessory's function according to the service information in VIDA. See VIDA or the accessories catalogue for software part number.