



# Installation instructions, accessories

Volvo Car Corporation Gothenburg, Sweden

**Instruction No**  
31330288

**Version**  
1.1

**Part. No.**  
31371230, 31330286

## Spoiler, roof, lip



IMG-354951



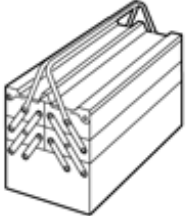
# Installation instructions, accessories

Volvo Car Corporation Gothenburg, Sweden

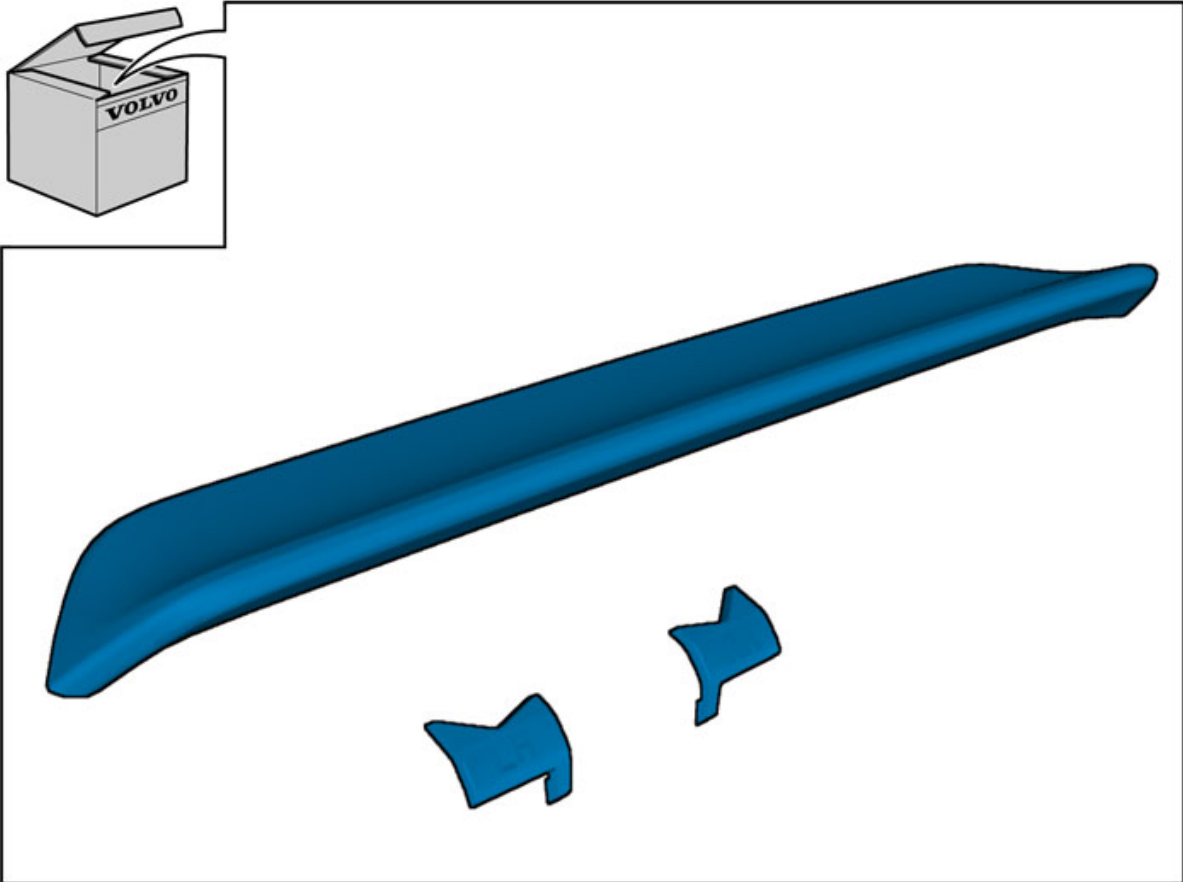
## Materials

Designation	Part number
Isopropanol	1161721
Tape	

## Equipment



IMG-345497



IMG-356846



# Installation instructions, accessories

Volvo Car Corporation Gothenburg, Sweden

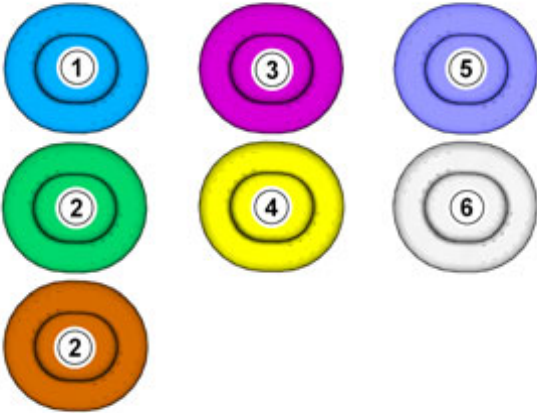
## Information

- 1
- Read through all of the instructions before starting installation.
- Notifications and warning texts are for your safety and to minimise the risk of something breaking during installation.
- Ensure that all tools stated in the instructions are available before starting installation.
- Certain steps in the instructions are only presented in the form of images. Explanatory text is also given for more complicated steps.
- In the event of any problems with the instructions or the accessory, contact your local Volvo dealer.

## Conditions

- 2
- When installing, the car must retain a temperature of 20 degrees C.
- After installation, the car must not be driven for 2 hours
- After installation, the car must not be washed for 48 hours

## Color symbols

- 3
- 
- Note!**  
This colour chart displays (in colour print and electronic version) the importance of the different colours used in the images of the method steps.
1. Used for focused component, the component with which you will do something.
  2. Used as extra colors when you need to show or differentiate additional parts.
  3. Used for attachments that are to be removed/installed. May be screws, clips, connectors, etc.
  4. Used when the component is not fully removed from the vehicle but only hung to the side.
  5. Used for standard tools and special tools.
  6. Used as background color for vehicle components.

IMG-363036

## Removal



# Installation instructions, accessories

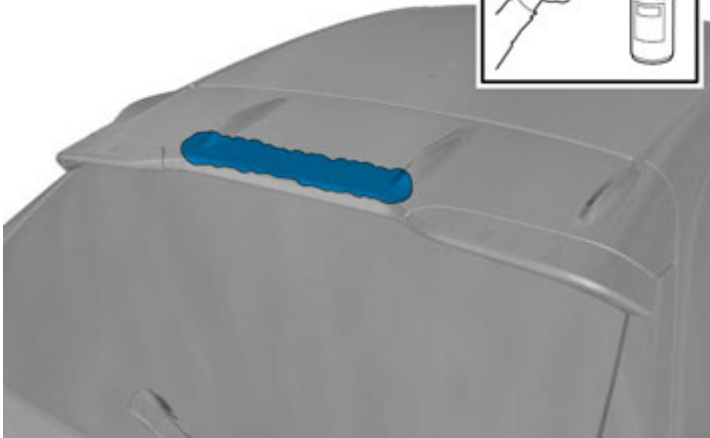
Volvo Car Corporation Gothenburg, Sweden

4



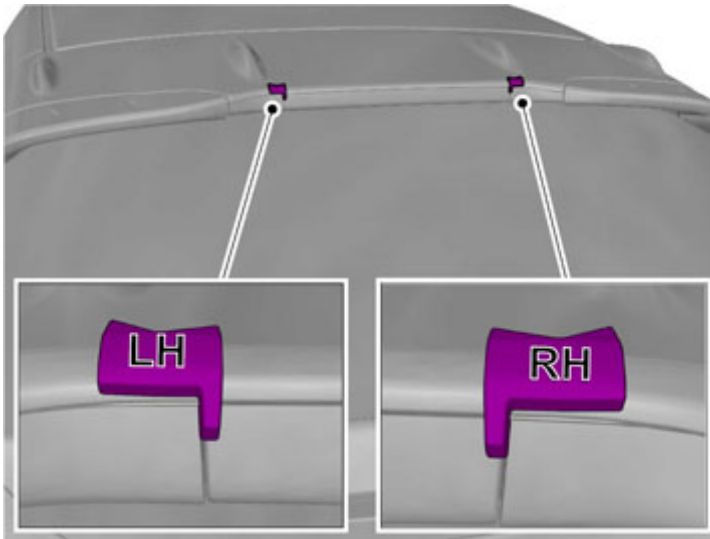
Clean the surface.

**Use:** 1161721, Isopropanol



IMG-356847

5



**Note!**  
Make sure that the template is correctly located.

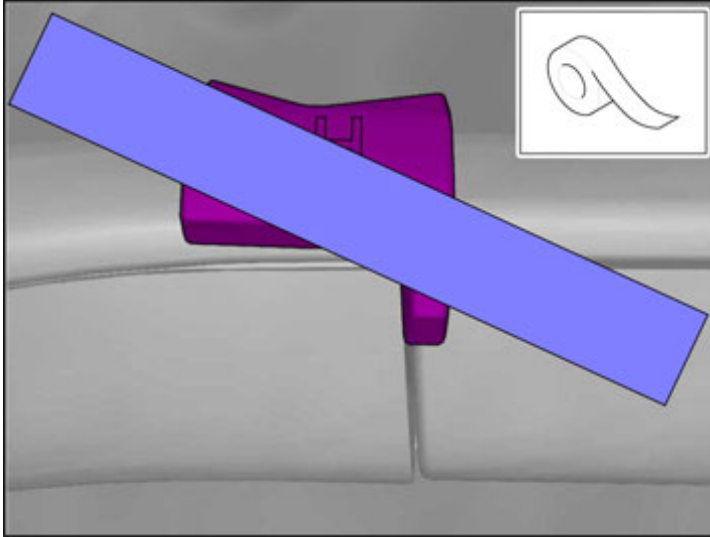
IMG-356848



# Installation instructions, accessories

Volvo Car Corporation Gothenburg, Sweden

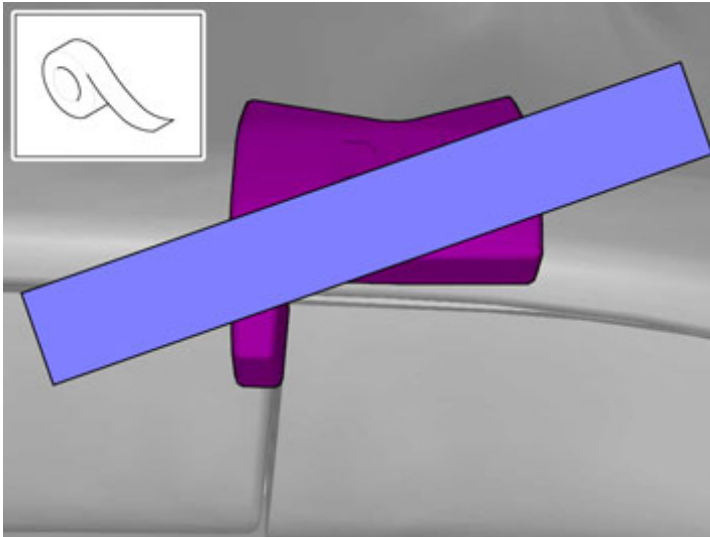
6



Use: , Tape

IMG-356854

7



Use: , Tape

IMG-356855

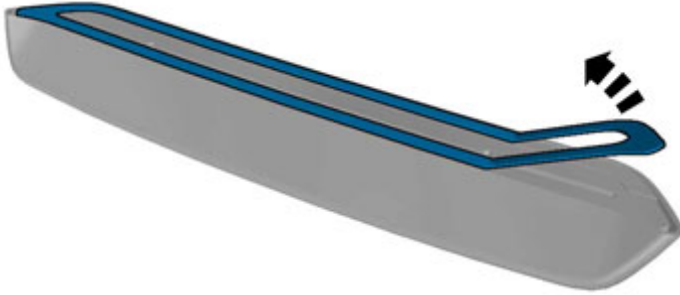


# Installation instructions, accessories

Volvo Car Corporation Gothenburg, Sweden

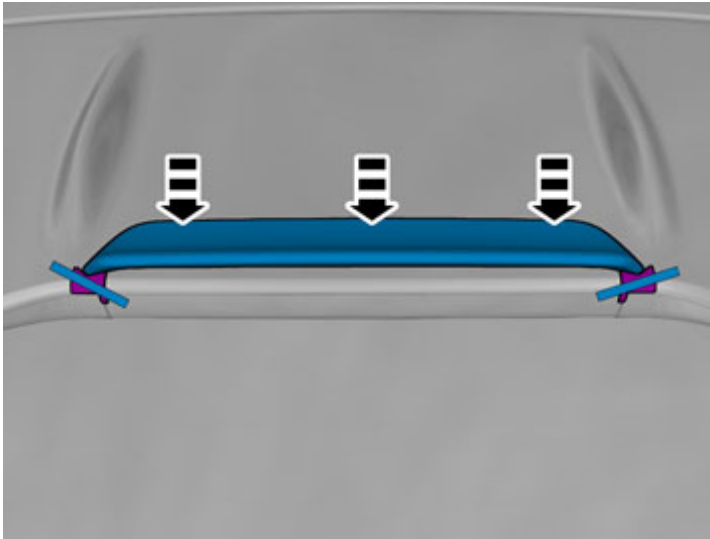
8

Remove the protective film.



IMG-356856

9



IMG-356857

**Caution!**

Make sure that equal pressure is applied to the full length of the component.