

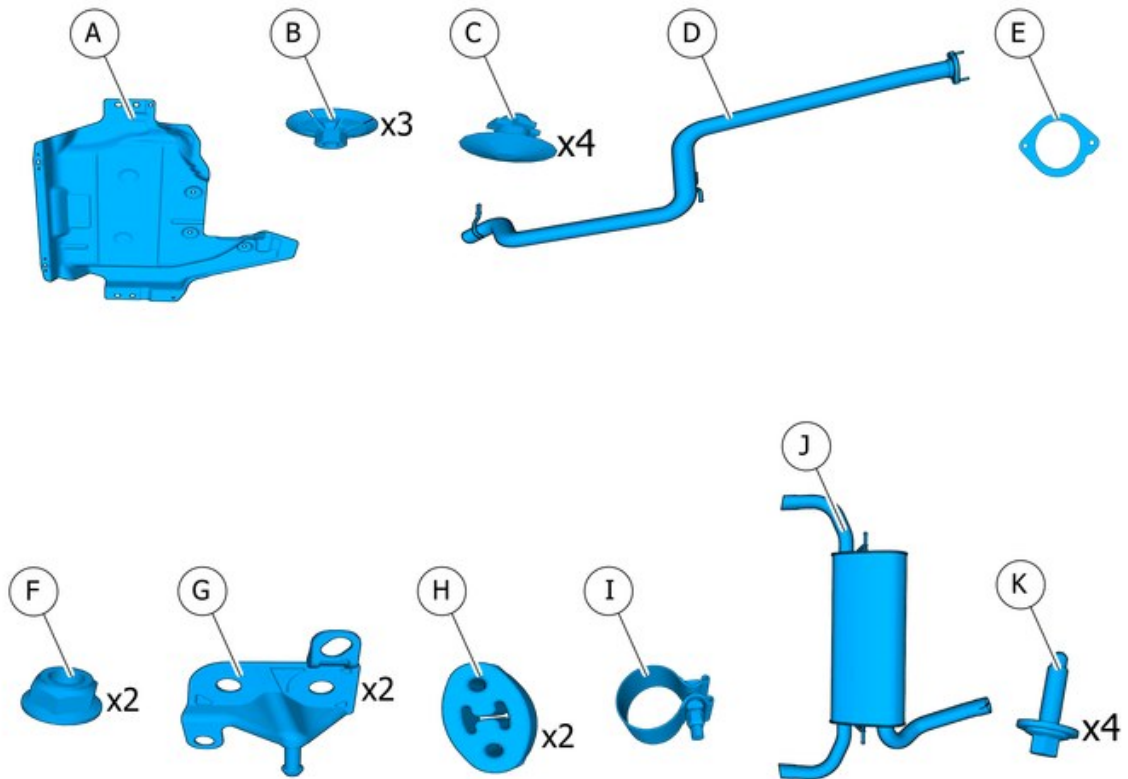
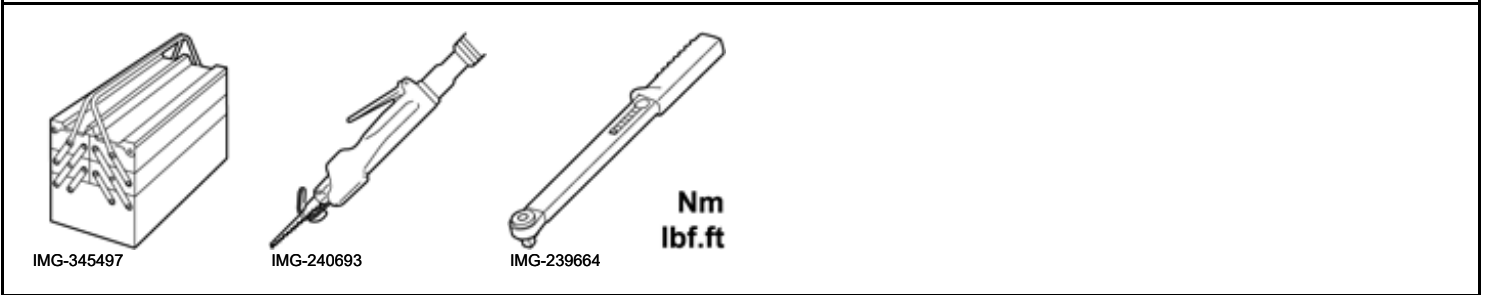
Installation instructions, accessories

Volvo Car Corporation Gothenburg, Sweden

Instruction No 31650252
Version 1.0
Part. No. 31650251

Sport exhaust system

Equipment



IMG-421476

Installation instructions, accessories

Volvo Car Corporation Gothenburg, Sweden

Information

1

Read through all of the instructions before starting installation.

Notifications and warning texts are for your safety and to minimise the risk of something breaking during installation.

Ensure that all tools stated in the instructions are available before starting installation.

Certain steps in the instructions are only presented in the form of images. Explanatory text is also given for more complicated steps.

In the event of any problems with the instructions or the accessory, contact your local Volvo dealer.

Conditions

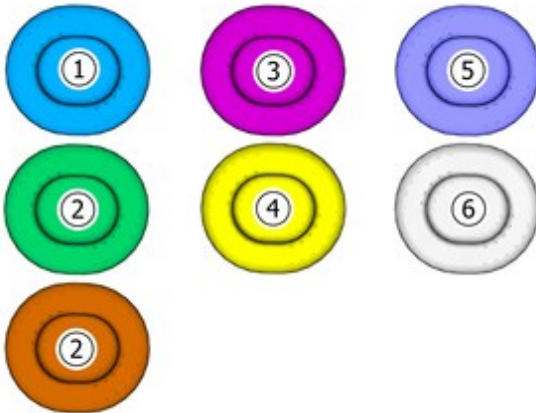
2

Note!

The Diffuser (accessory) must be installed on the vehicle.

Color symbols

3



IMG-363036

Note!

This colour chart displays (in colour print and electronic version) the importance of the different colours used in the images of the method steps.

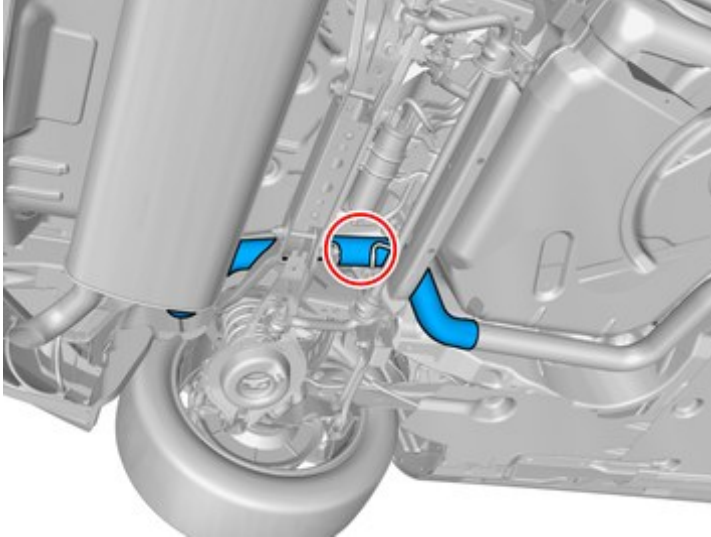
1. Used for focused component, the component with which you will do something.
 2. Used as extra colors when you need to show or differentiate additional parts.
 3. Used for attachments that are to be removed/installed. May be screws, clips, connectors, etc.
 4. Used when the component is not fully removed from the vehicle but only hung to the side.
 5. Used for standard tools and special tools.
 6. Used as background color for vehicle components.
-

Removal

Installation instructions, accessories

Volvo Car Corporation Gothenburg, Sweden

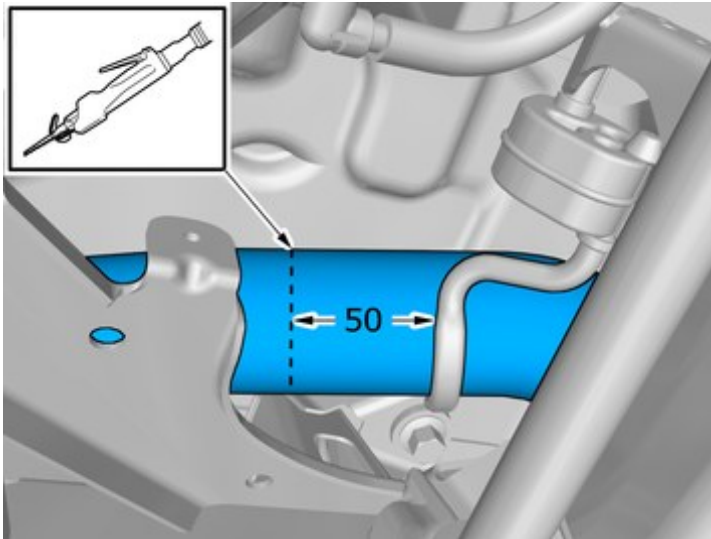
4



IMG-406830

Note!
Orientation view

5



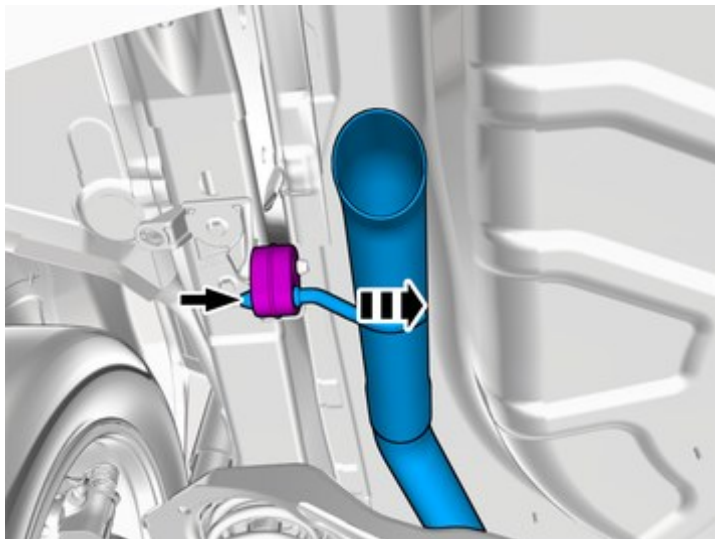
IMG-406831

Use: Air-powered keyhole saw

Installation instructions, accessories

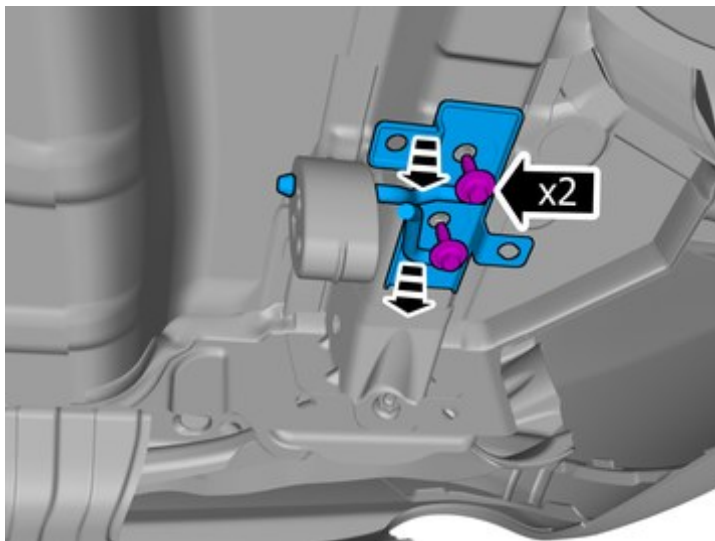
Volvo Car Corporation Gothenburg, Sweden

6



Remove the marked part.

7



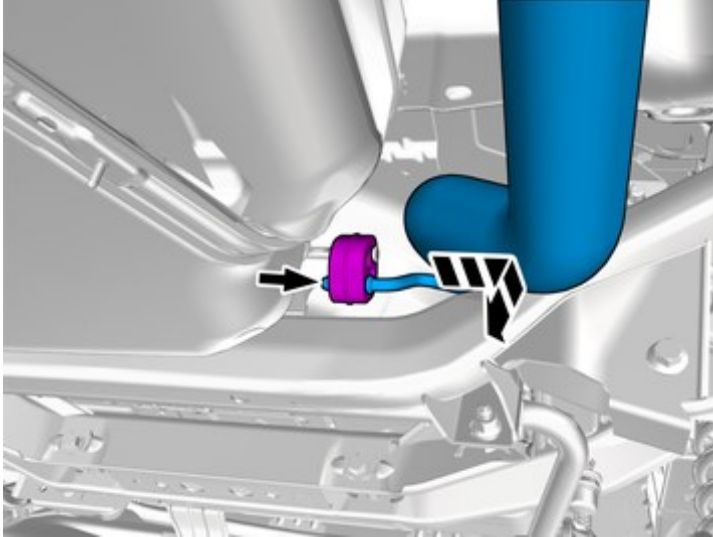
Remove the screws.

Remove the marked part.

Installation instructions, accessories

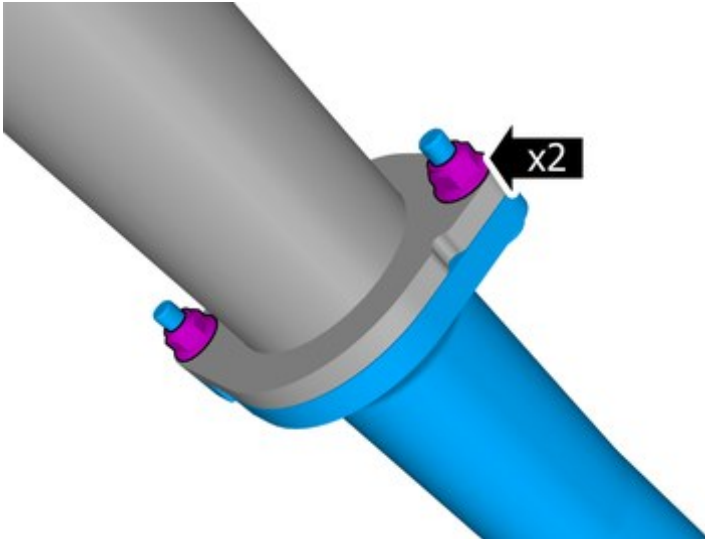
Volvo Car Corporation Gothenburg, Sweden

8



IMG-421477

9



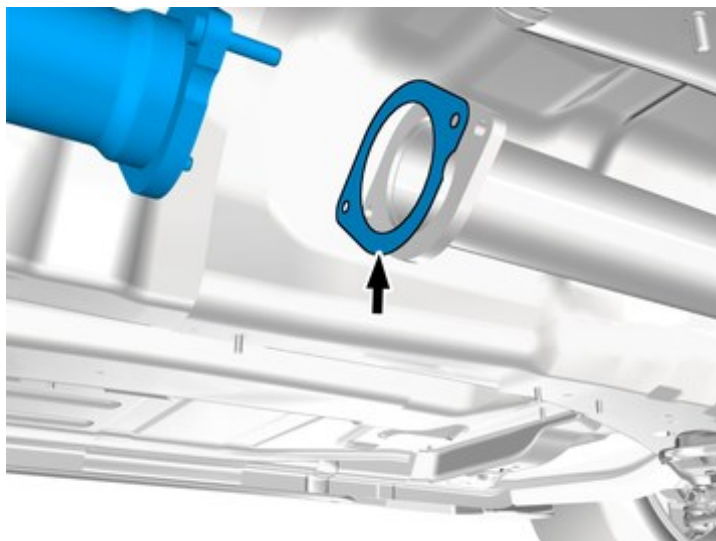
IMG-421478

Remove the nuts.

Installation instructions, accessories

Volvo Car Corporation Gothenburg, Sweden

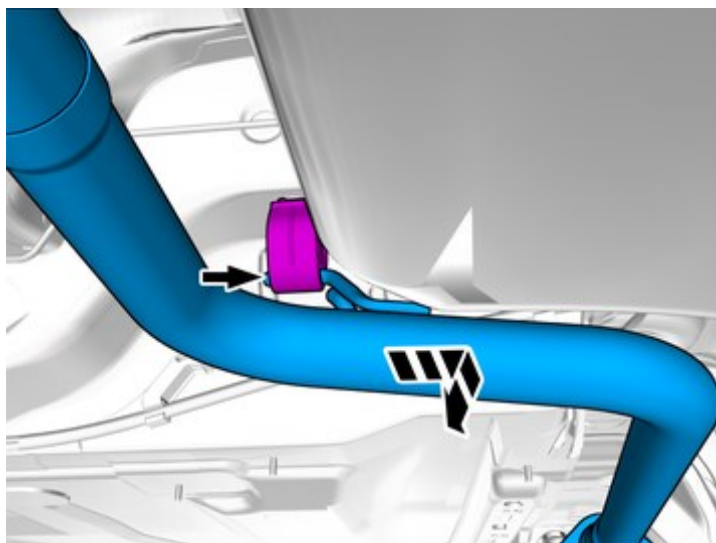
10



IMG-421493

Remove the marked part.
The part is not to be reused.

11



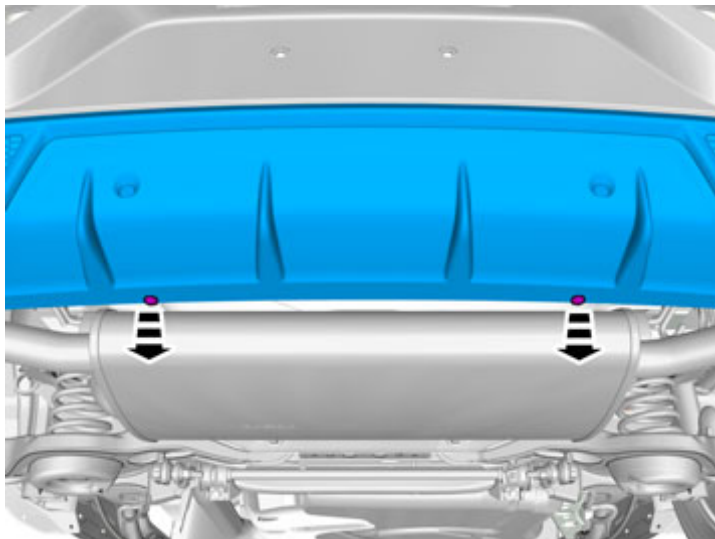
IMG-421479

Remove the marked part.

Installation instructions, accessories

Volvo Car Corporation Gothenburg, Sweden

12

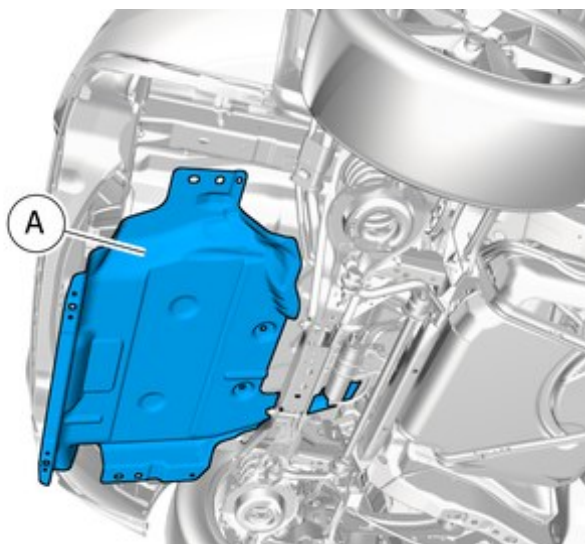


IMG-376535

Remove the screws.

Accessory installation

13



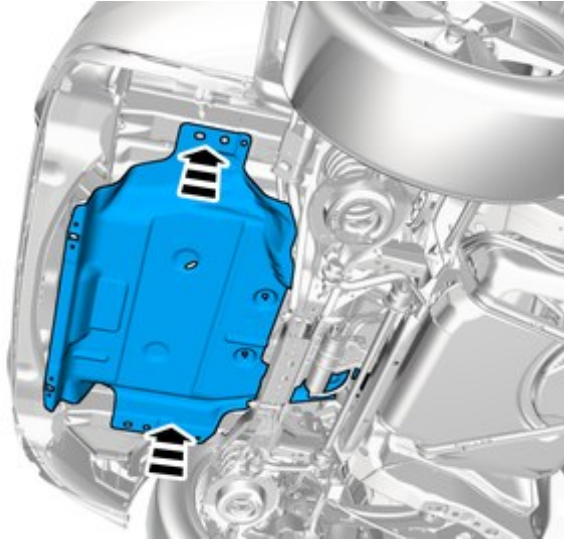
IMG-421487

Install component that comes with the accessory kit.

Installation instructions, accessories

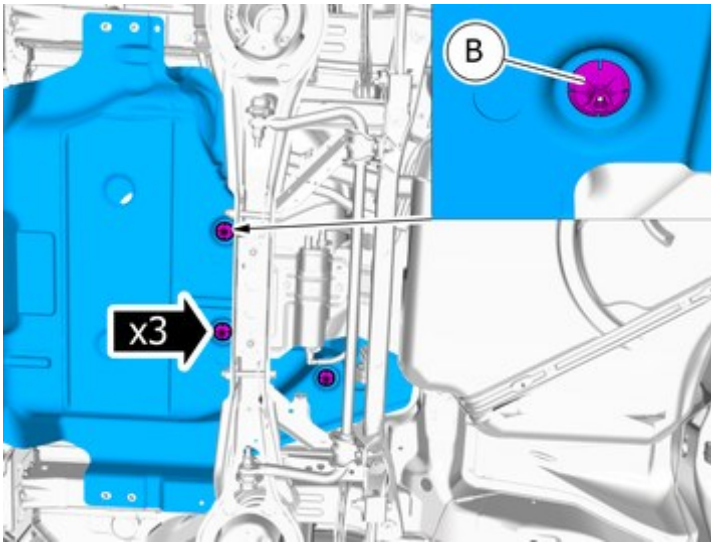
Volvo Car Corporation Gothenburg, Sweden

14



IMG-421488

15

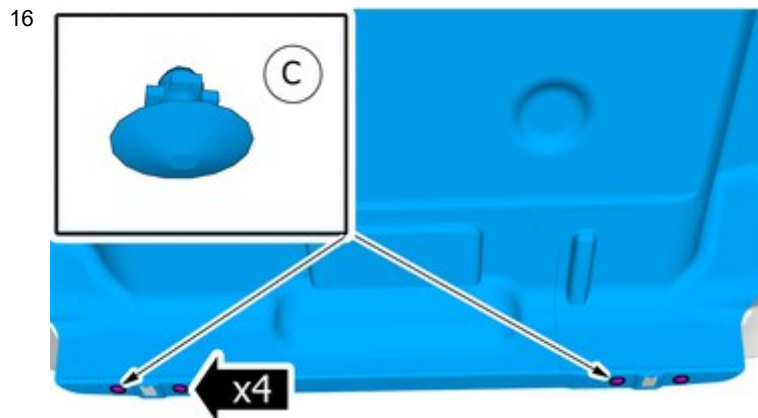


IMG-421489

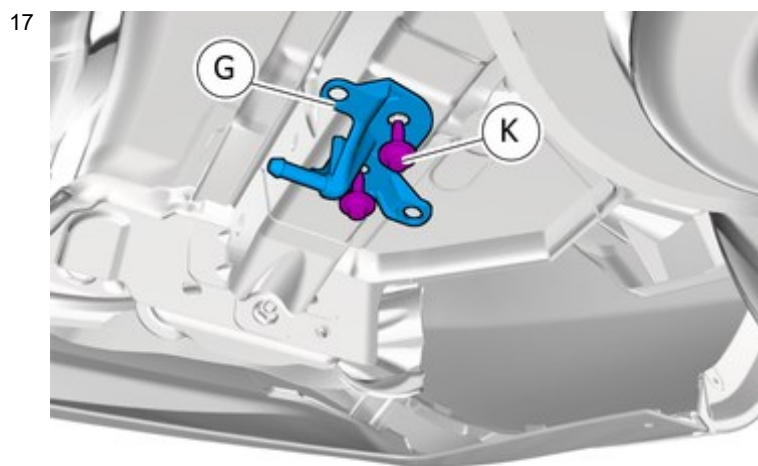
Install component that comes with the accessory kit.

Installation instructions, accessories

Volvo Car Corporation Gothenburg, Sweden



IMG-421491

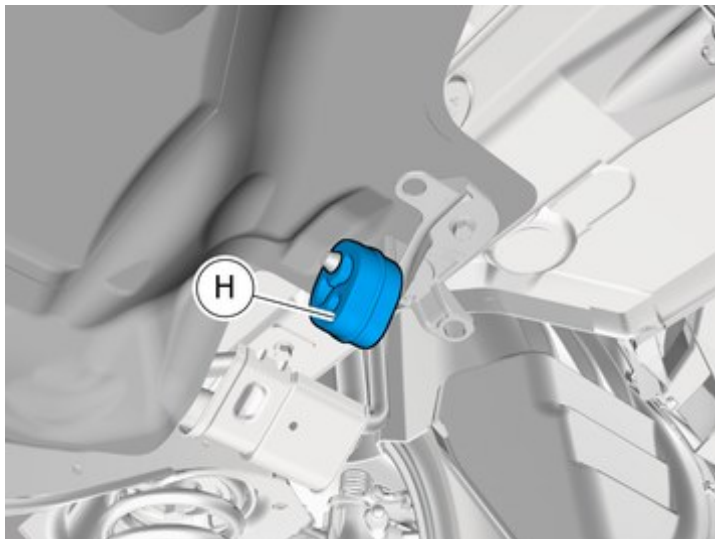


IMG-421492

Installation instructions, accessories

Volvo Car Corporation Gothenburg, Sweden

18

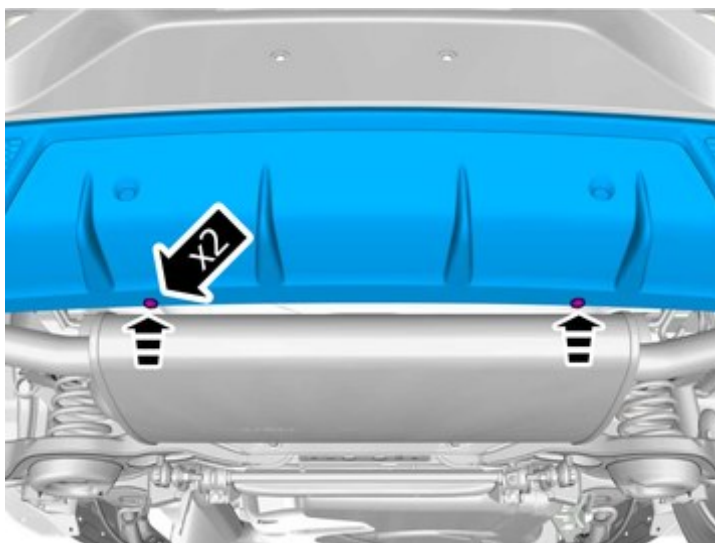


IMG-421495

Install component that comes with the accessory kit.

On both sides.

19



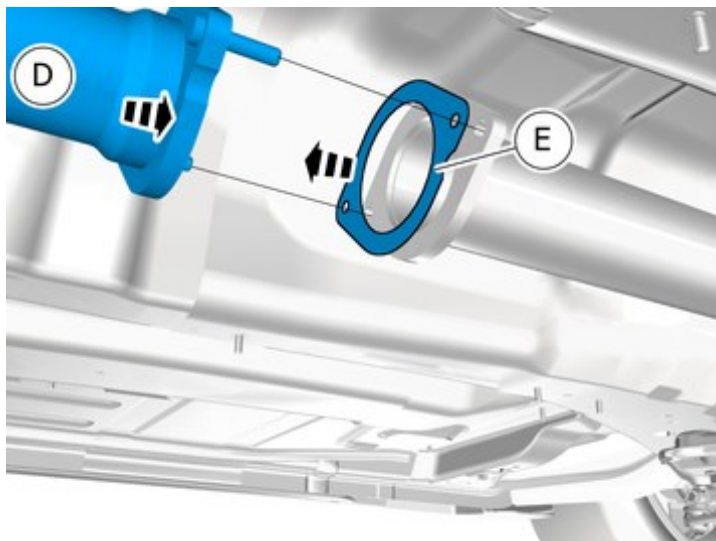
IMG-421503

Reinstall the screws.

Installation instructions, accessories

Volvo Car Corporation Gothenburg, Sweden

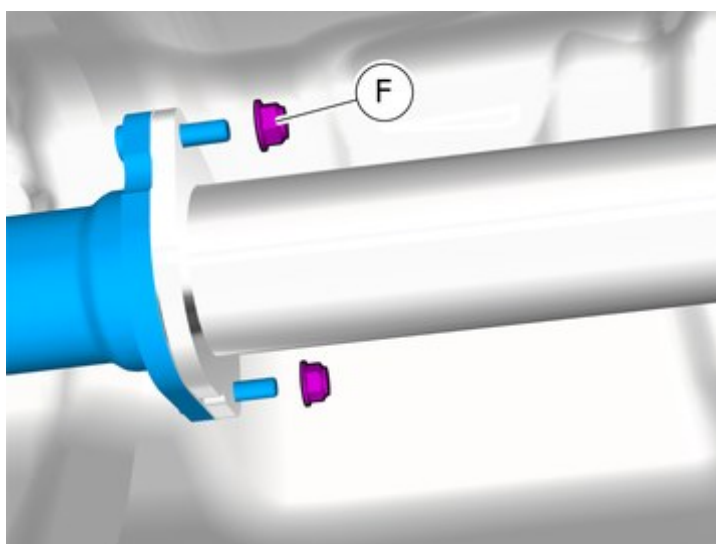
20



IMG-421481

Install component that comes with the accessory kit.

21



IMG-421482

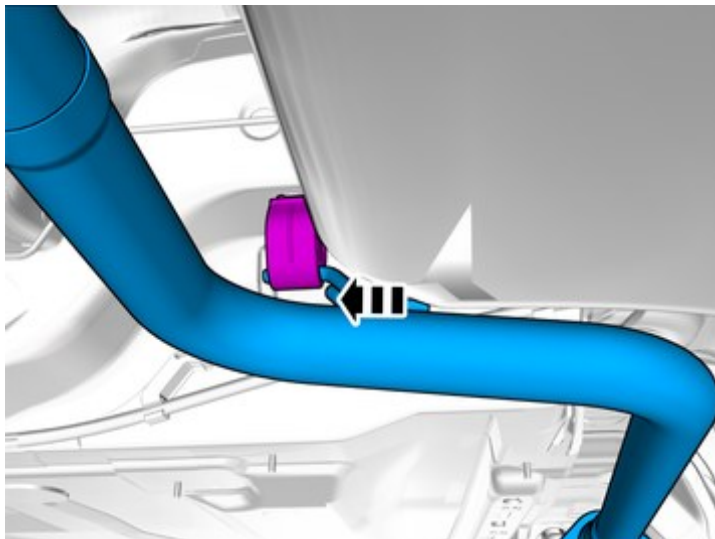
Note!
Do not fully tighten the nuts yet.

Install component that comes with the accessory kit.

Installation instructions, accessories

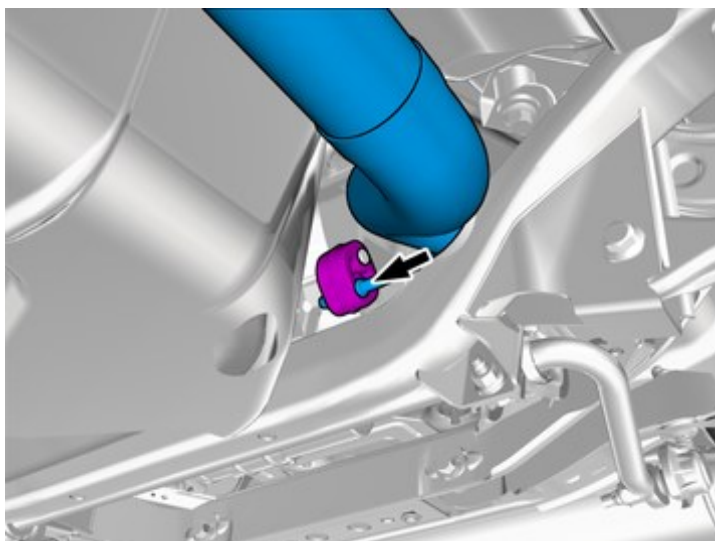
Volvo Car Corporation Gothenburg, Sweden

22



IMG-421480

23

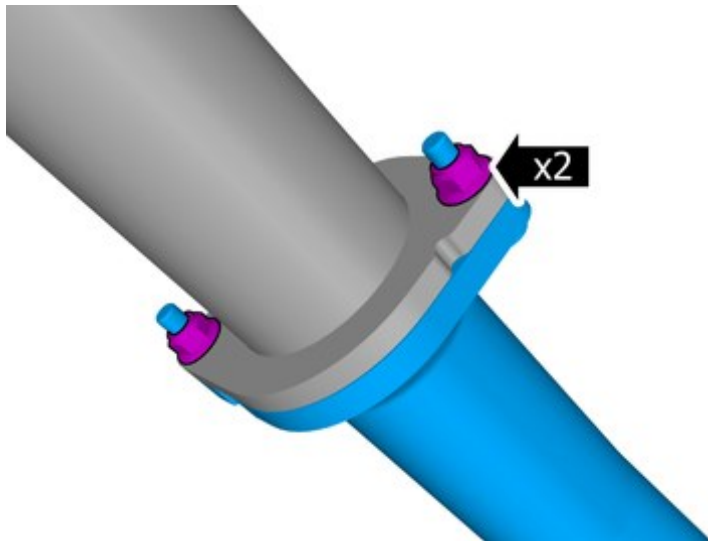


IMG-421501

Installation instructions, accessories

Volvo Car Corporation Gothenburg, Sweden

24

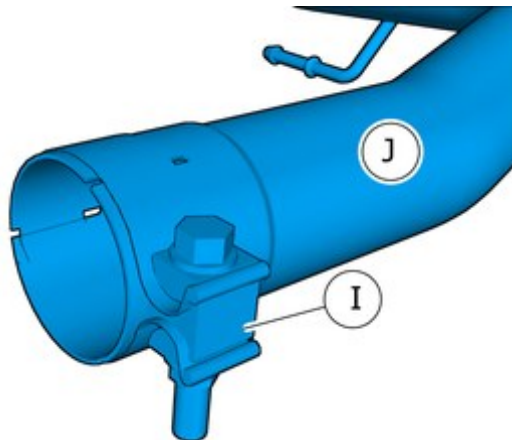


IMG-421484

Tighten the nuts.

Tightening torque: M8 , 24 Nm

25



IMG-421498

Install component that comes with the accessory kit.

Installation instructions, accessories

Volvo Car Corporation Gothenburg, Sweden

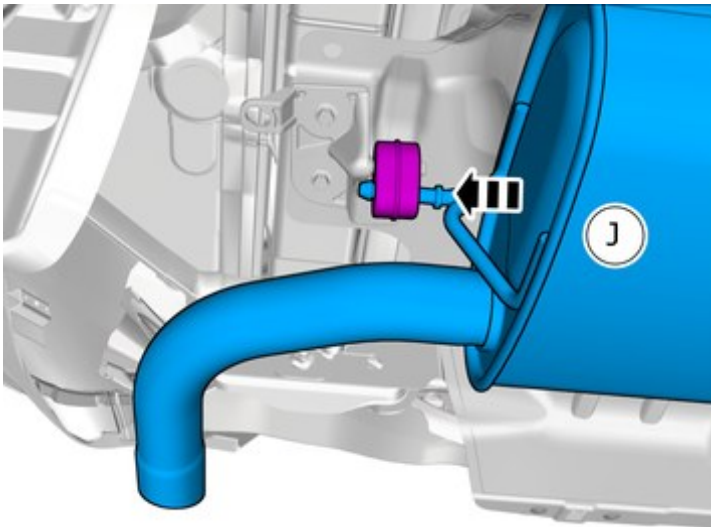
26



Install component that comes with the accessory kit.

IMG-406881

27

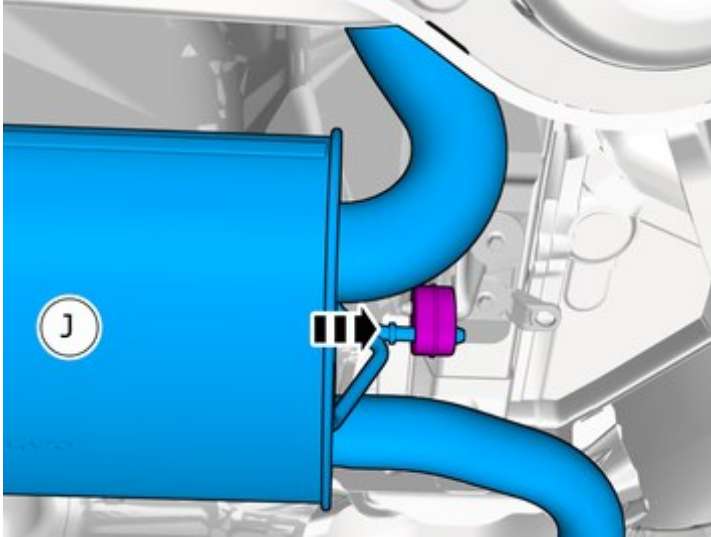


IMG-421496

Installation instructions, accessories

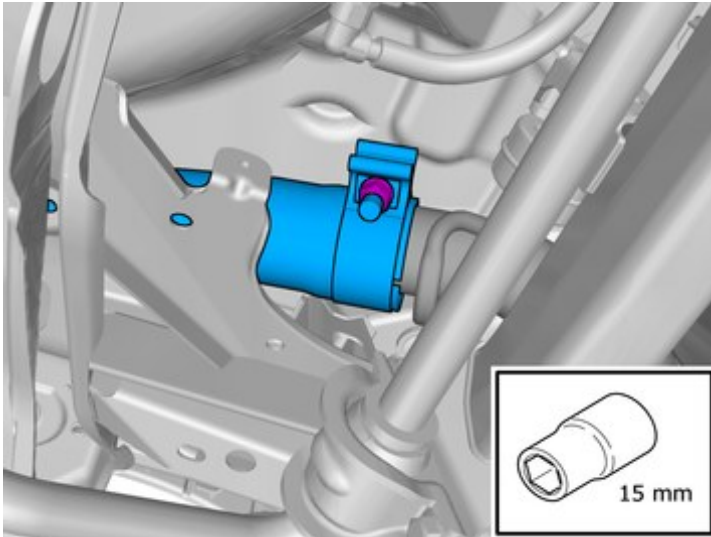
Volvo Car Corporation Gothenburg, Sweden

28



IMG-421497

29



IMG-412197

Tightening torque: M10 , 50 Nm