

Installation instructions, accessories

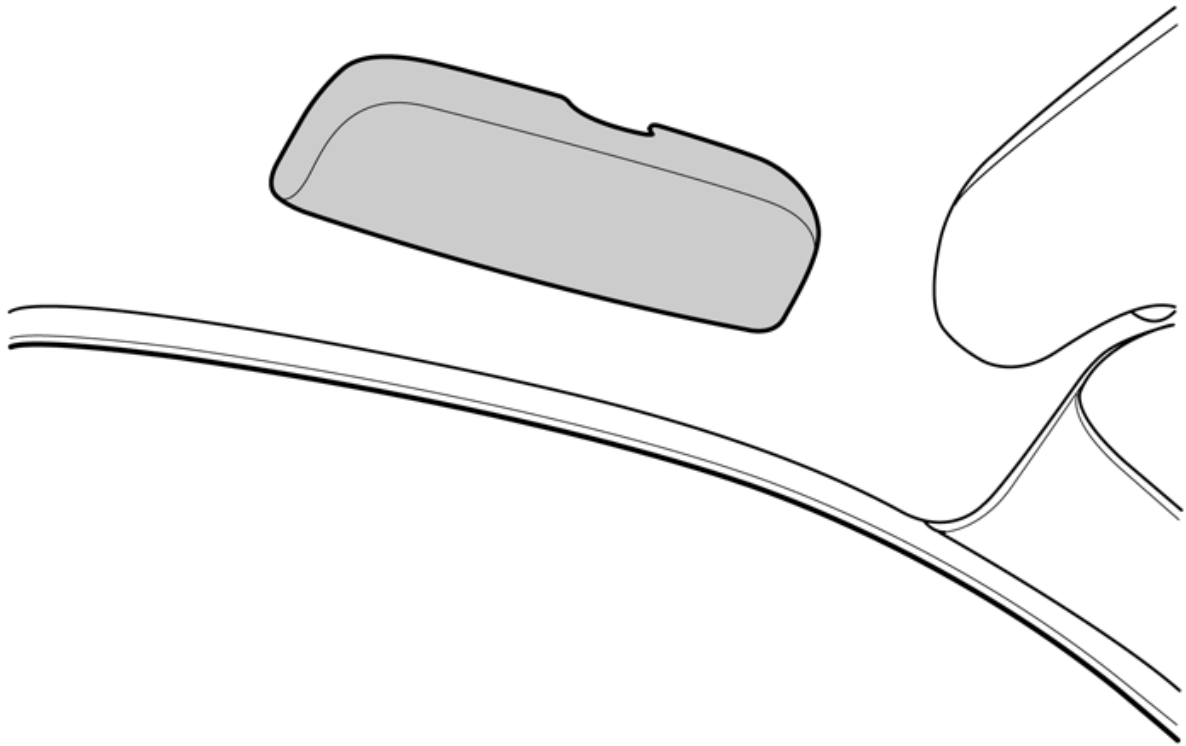
Volvo Car Corporation Gothenburg, Sweden

Instruction No
30721749

Version
1.5

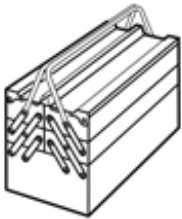
Part. No.
31403479, 30715737, 1281823, 30756965, 30790175

Glasses holder, entry handle



IMG-242360

Equipment



A0000162

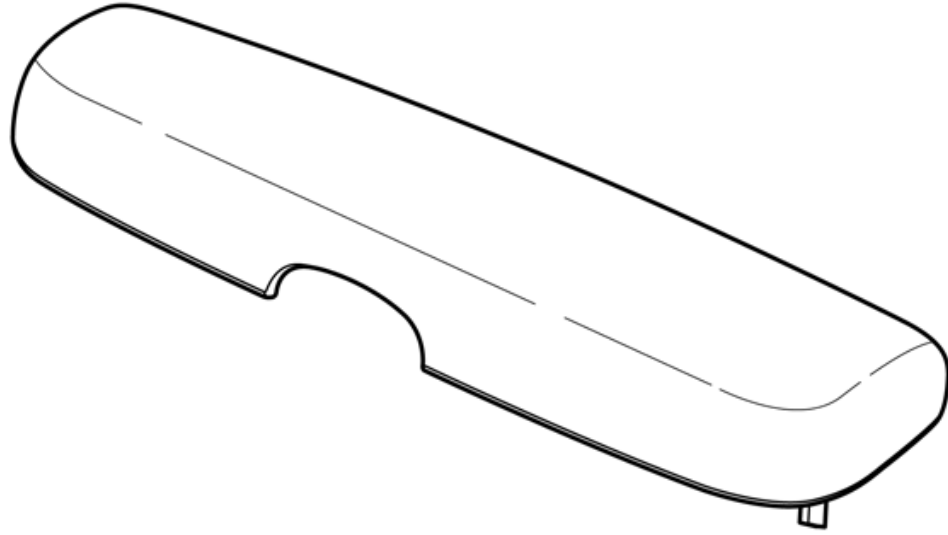


IMG-239664

Nm
lbf.ft

Installation instructions, accessories

Volvo Car Corporation Gothenburg, Sweden



IMG-242361

Installation instructions, accessories

Volvo Car Corporation Gothenburg, Sweden

Any comments on this publication? Please contact your nearest retailer. Thank You!

Publ.no:	Issue:	Kit no:
Comments:.....		
.....		
.....		
.....		

From:	
Address:	
Telephone:	
Telefax:	

IMG-213320

Installation instructions, accessories

Volvo Car Corporation Gothenburg, Sweden

INTRODUCTION

Read through all of the instructions before starting installation.

Notifications and warning texts are for your safety and to minimise the risk of something breaking during installation.

Ensure that all tools stated in the instructions are available before starting installation.

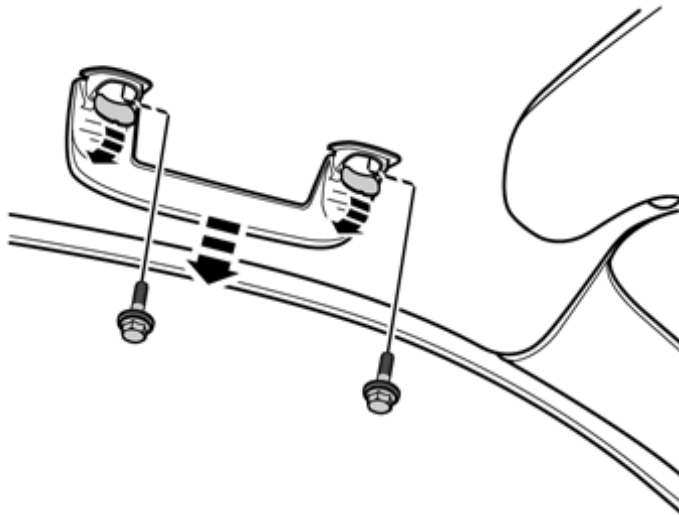
Certain steps in the instructions are only presented in the form of images. Explanatory text is also given for more complicated steps.

In the event of any problems with the instructions or the accessory, contact your local Volvo dealer.

Note!

Some steps in these installation instructions are presented with illustration only.

1



IMG-242362

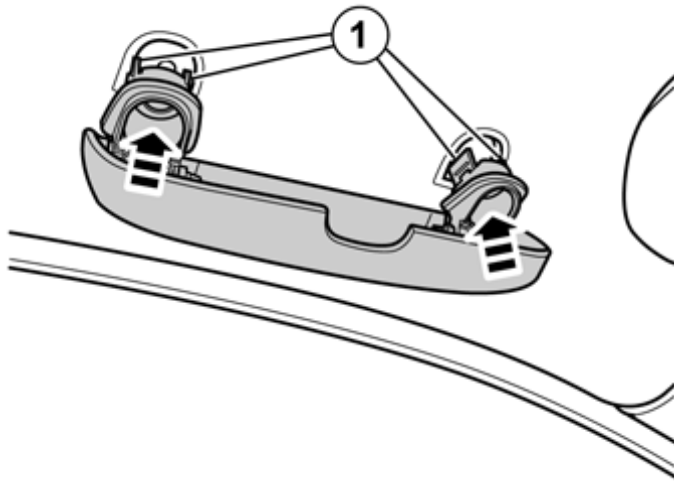
Prise up the cover on the grab handle above the door.

Remove the screws and carefully pull the grab handle until the retaining plate on the inside releases. Put the handle aside. The screws will be reused.

Installation instructions, accessories

Volvo Car Corporation Gothenburg, Sweden

2



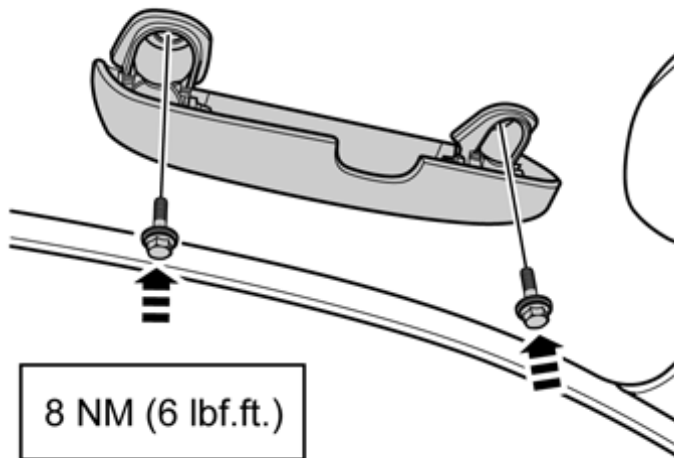
IMG-242366

Take the glasses holder from the kit.

Fit the glasses holder where the grab handle sat.

Make sure that the four retaining plates (1) sit on each side of the nut plates where the glasses holder will be fastened. If there is not enough room for the plate, it can be broken off and discarded.

3

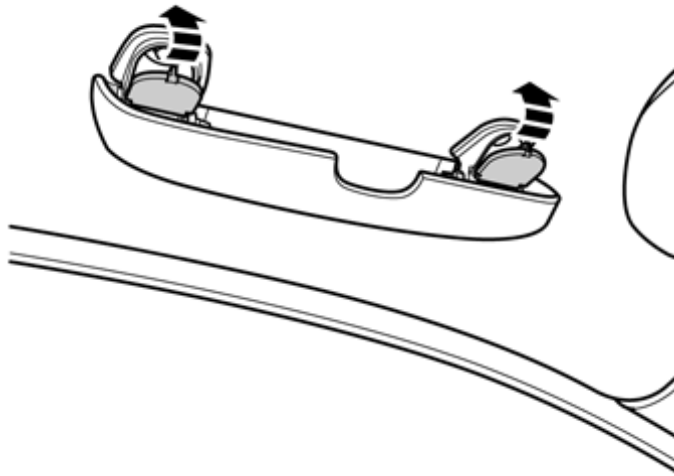


IMG-242367

Installation instructions, accessories

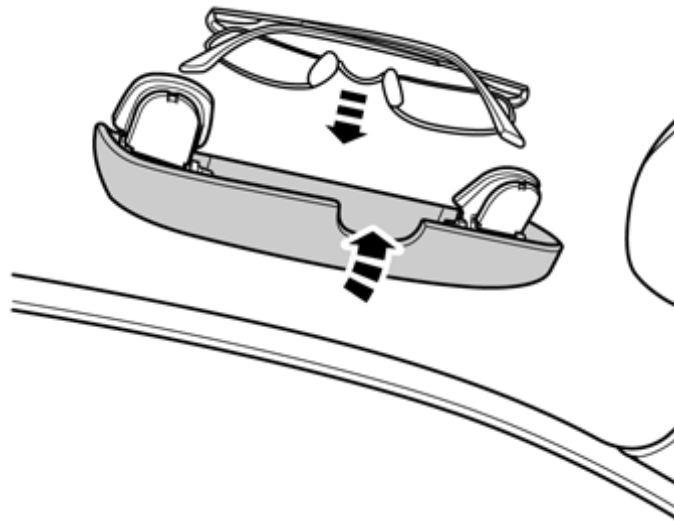
Volvo Car Corporation Gothenburg, Sweden

4



IMG-242368

5



IMG-242369