



# Installation instructions, accessories

Volvo Car Corporation Gothenburg, Sweden

**Instruction No**  
31316881

**Version**  
1.0

**Part. No.**  
31316880, 31330929

## End pipes, double



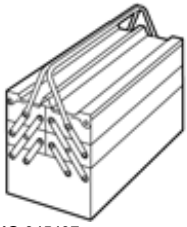
IMG-355581



# Installation instructions, accessories

Volvo Car Corporation Gothenburg, Sweden

## Equipment



IMG-345497

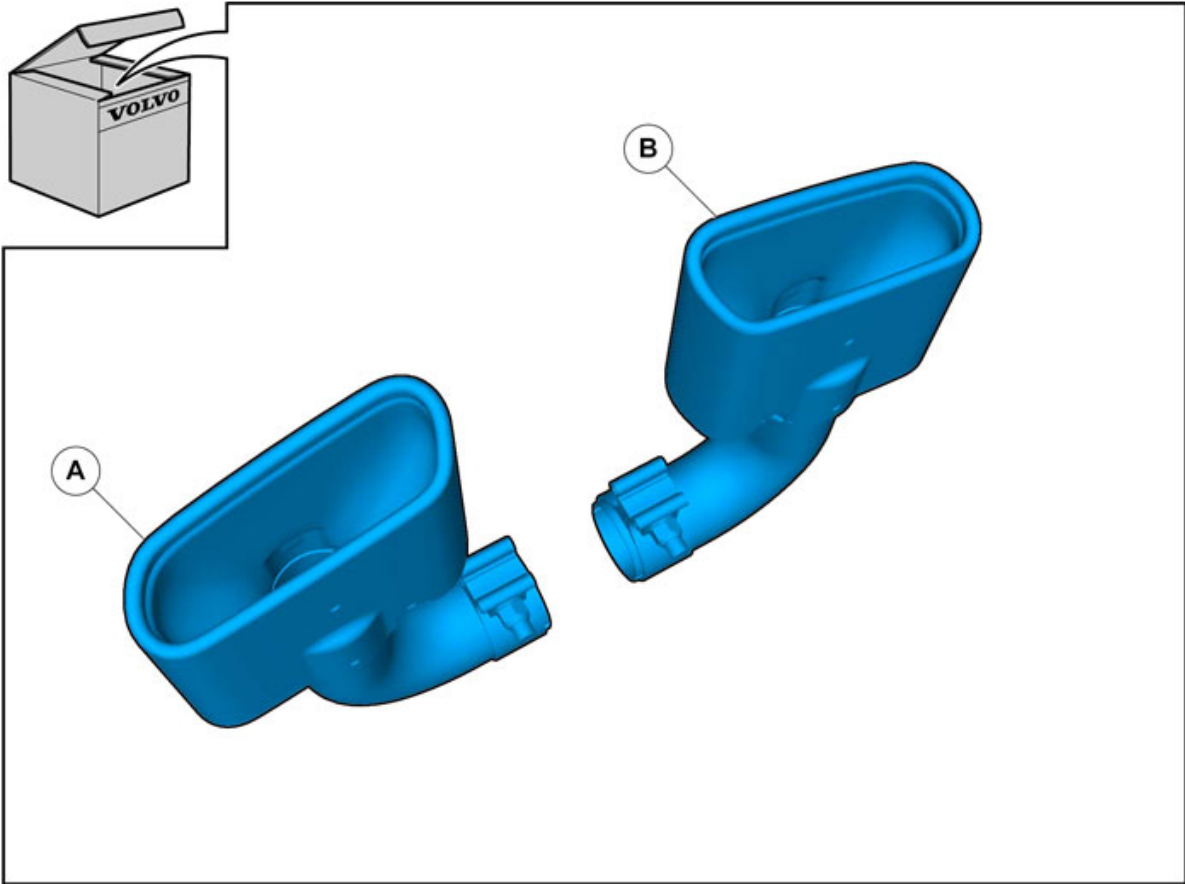


IMG-239664

**Nm**  
**lbf.ft**



IMG-244944

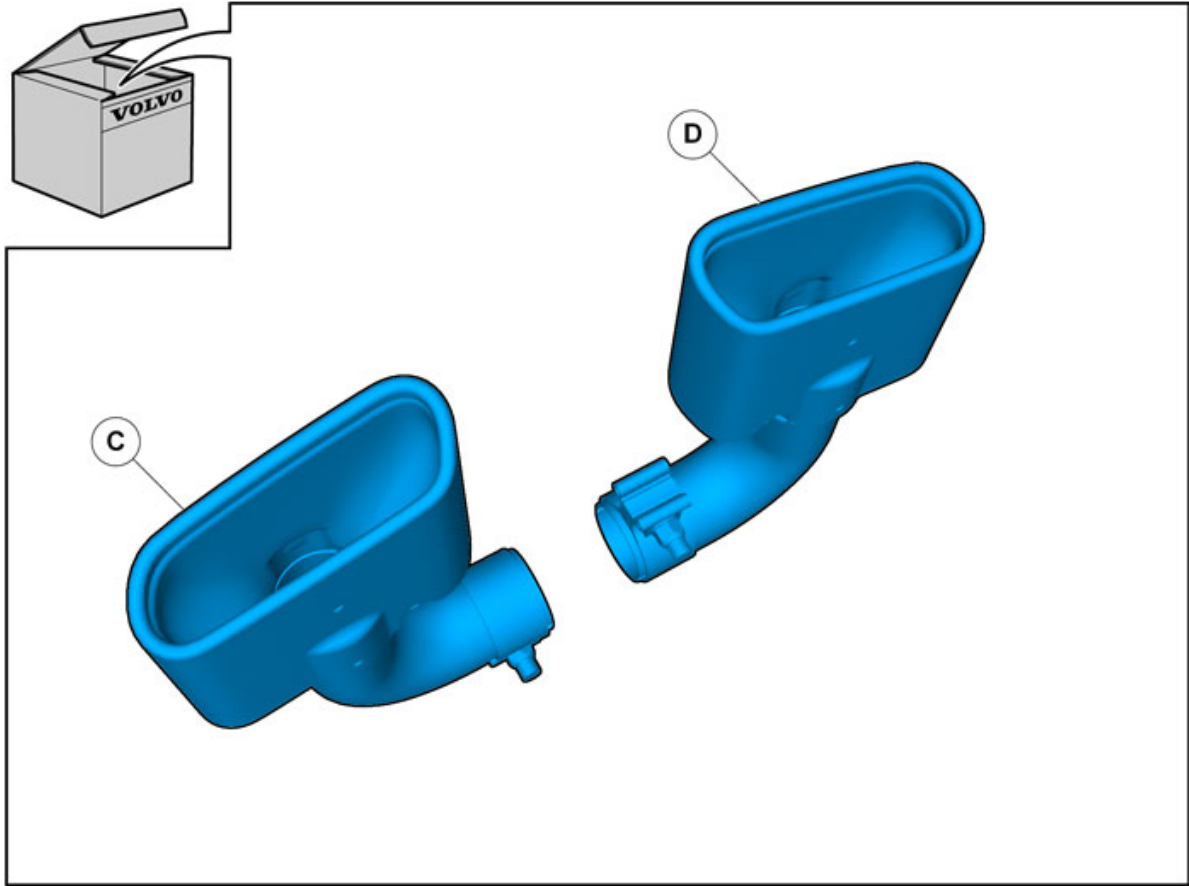


IMG-355582



# Installation instructions, accessories

Volvo Car Corporation Gothenburg, Sweden



IMG-369264



# Installation instructions, accessories

Volvo Car Corporation Gothenburg, Sweden

## Information

1

Read through all of the instructions before starting installation.

Notifications and warning texts are for your safety and to minimise the risk of something breaking during installation.

Ensure that all tools stated in the instructions are available before starting installation.

Certain steps in the instructions are only presented in the form of images. Explanatory text is also given for more complicated steps.

In the event of any problems with the instructions or the accessory, contact your local Volvo dealer.

## Conditions

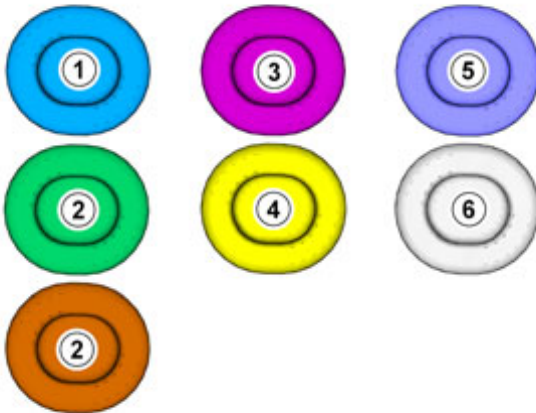
2

### Note!

The Diffuser (accessory) must be installed on the vehicle.

## Color symbols

3



IMG-363036

### Note!

This colour chart displays (in colour print and electronic version) the importance of the different colours used in the images of the method steps.

1. Used for focused component, the component with which you will do something.
2. Used as extra colors when you need to show or differentiate additional parts.
3. Used for attachments that are to be removed/installed. May be screws, clips, connectors, etc.
4. Used when the component is not fully removed from the vehicle but only hung to the side.
5. Used for standard tools and special tools.
6. Used as background color for vehicle components.

## Removal

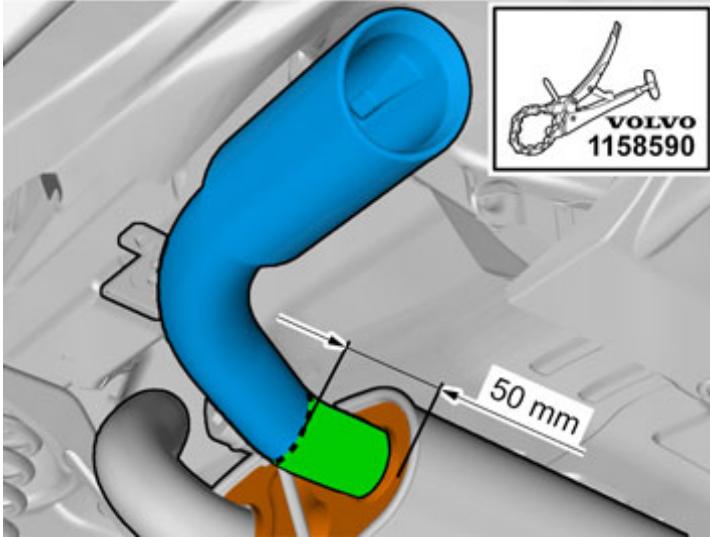
### Vehicles with 5-cyl engines



# Installation instructions, accessories

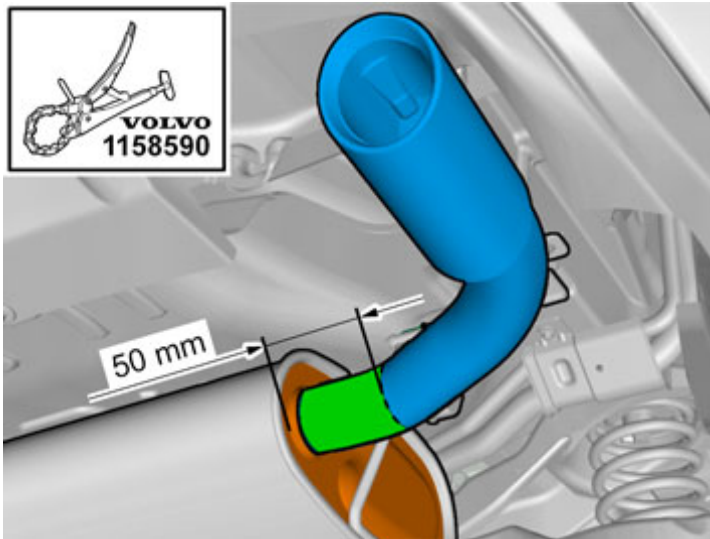
Volvo Car Corporation Gothenburg, Sweden

4



IMG-355626

5



IMG-355627

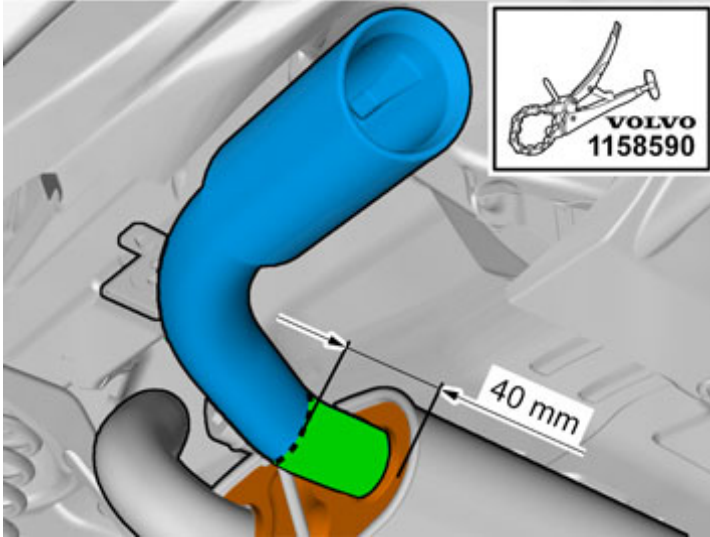
Vehicles with 4-cyl engines



# Installation instructions, accessories

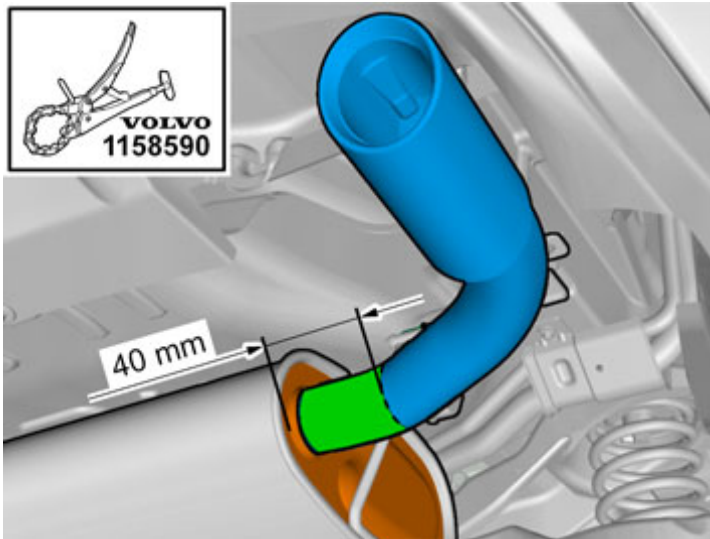
Volvo Car Corporation Gothenburg, Sweden

6



IMG-355631

7



IMG-355628

**Accessory installation**

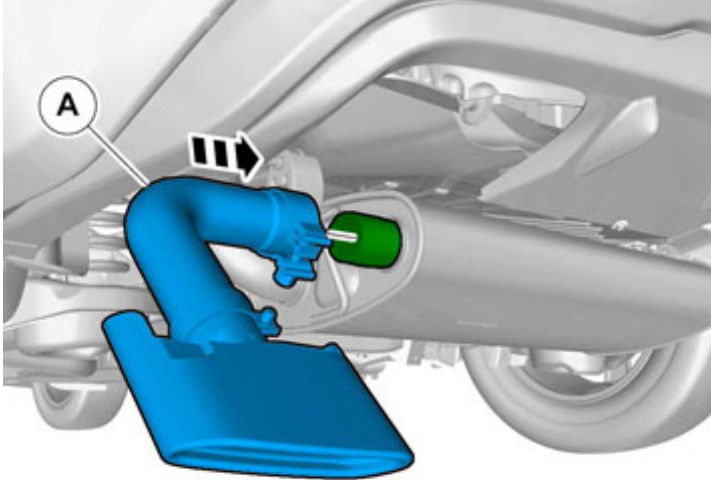
**Vehicles with diesel engines**



# Installation instructions, accessories

Volvo Car Corporation Gothenburg, Sweden

8



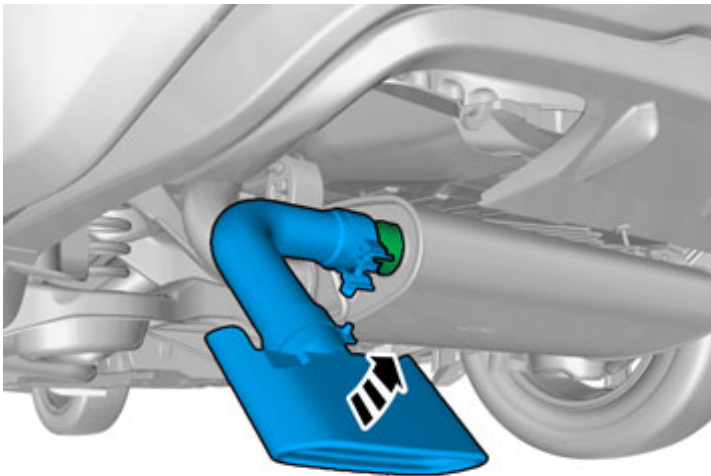
IMG-355633

**Caution!**

Make sure not to damage painted surfaces.

Install component that comes with the accessory kit.

9



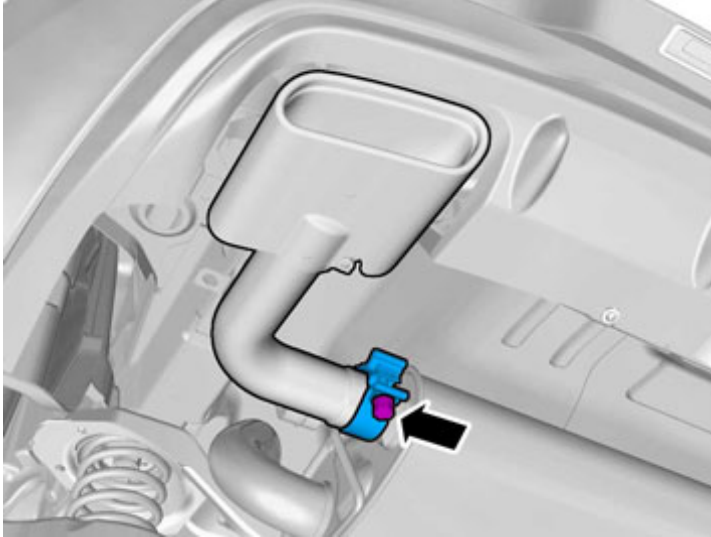
IMG-355634



# Installation instructions, accessories

Volvo Car Corporation Gothenburg, Sweden

10

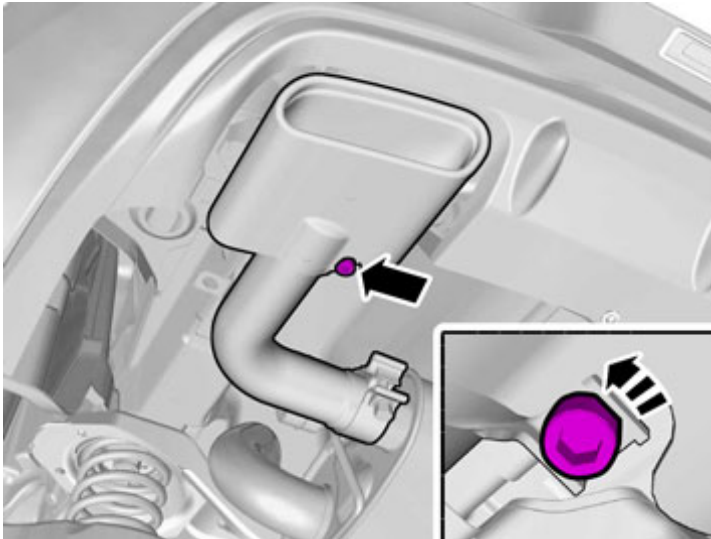


IMG-367557

**Note!**

Do not fully tighten the nut yet.

11



IMG-367558

Loosen the screws.

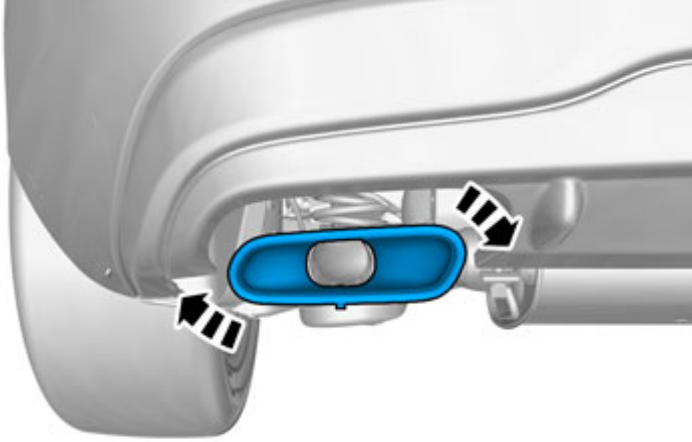




# Installation instructions, accessories

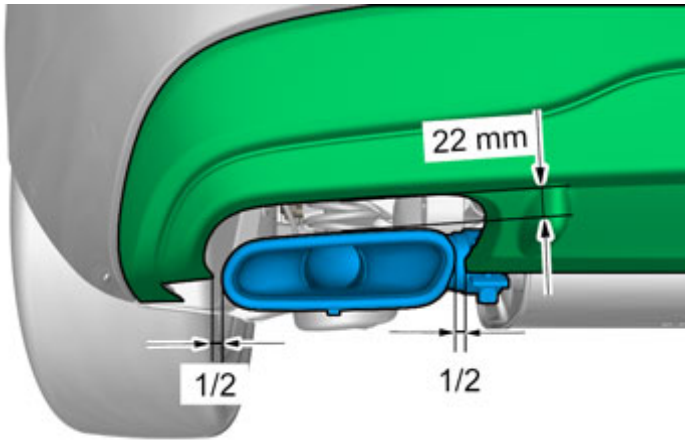
Volvo Car Corporation Gothenburg, Sweden

12



IMG-357621

13



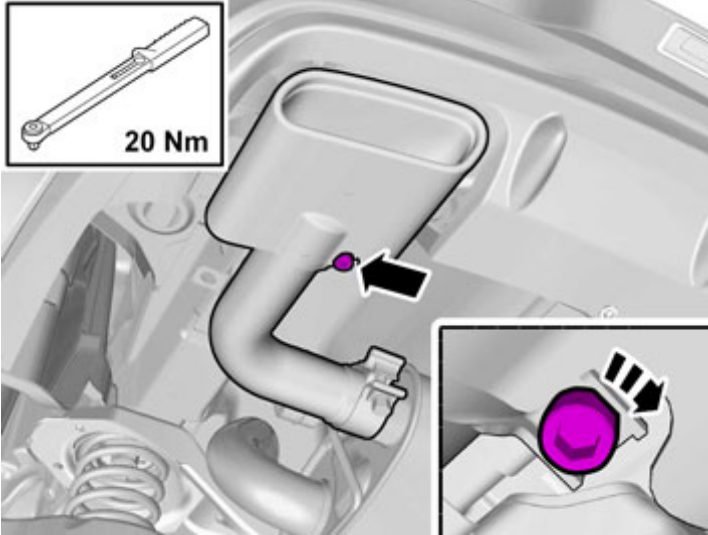
IMG-355644



# Installation instructions, accessories

Volvo Car Corporation Gothenburg, Sweden

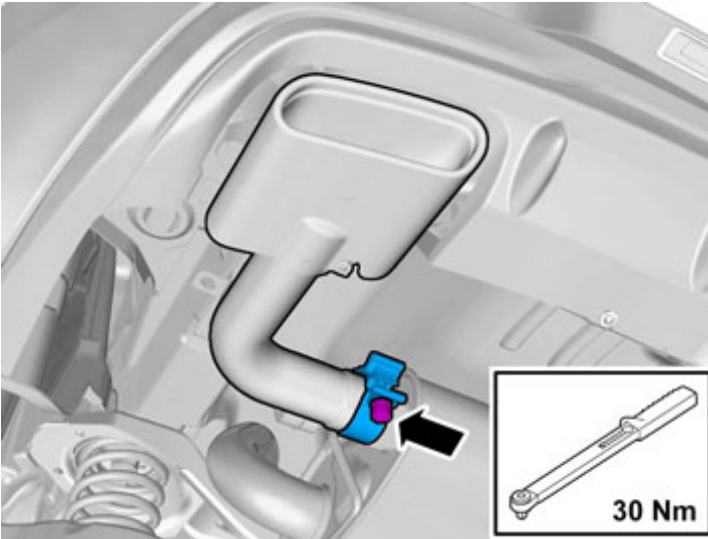
14



IMG-367559

Tighten the screw.

15



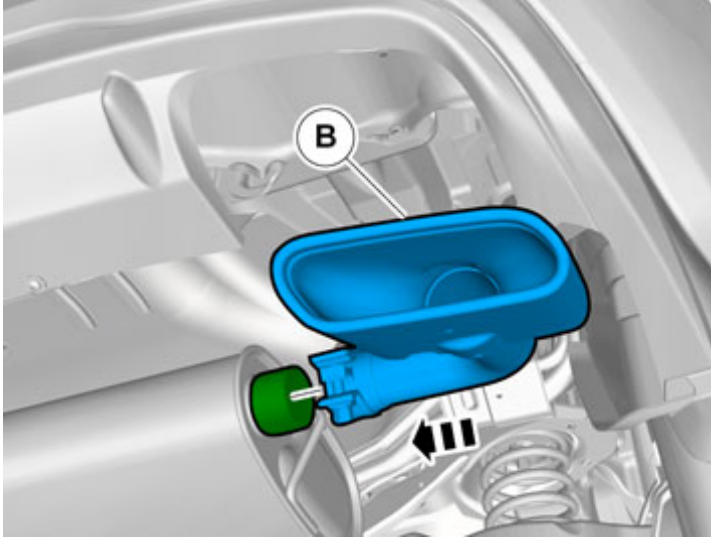
IMG-355647



# Installation instructions, accessories

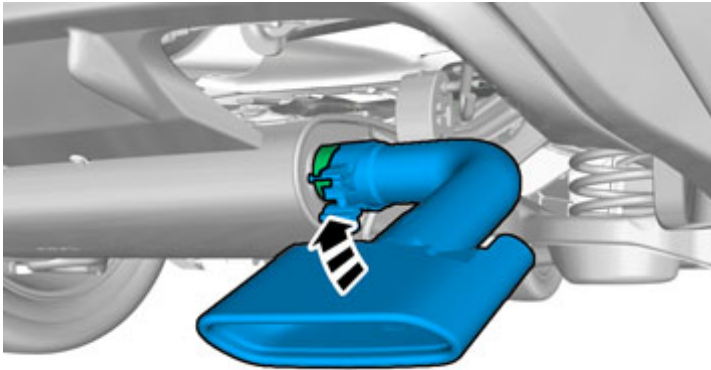
Volvo Car Corporation Gothenburg, Sweden

16



IMG-369324

17



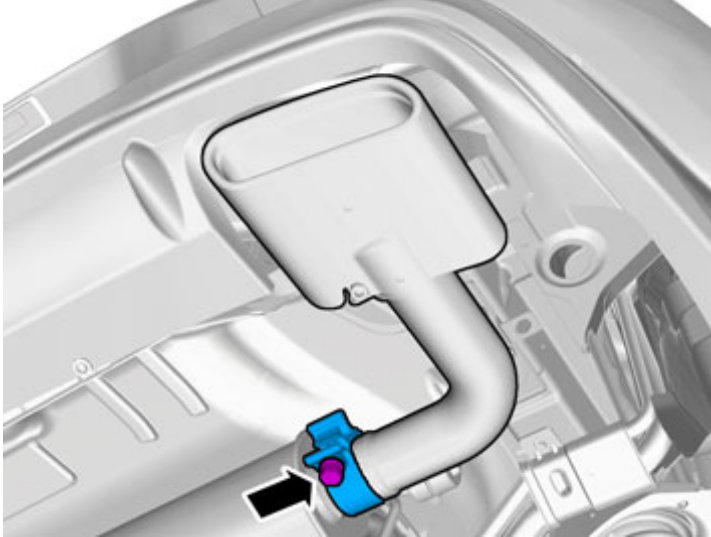
IMG-369325



# Installation instructions, accessories

Volvo Car Corporation Gothenburg, Sweden

18

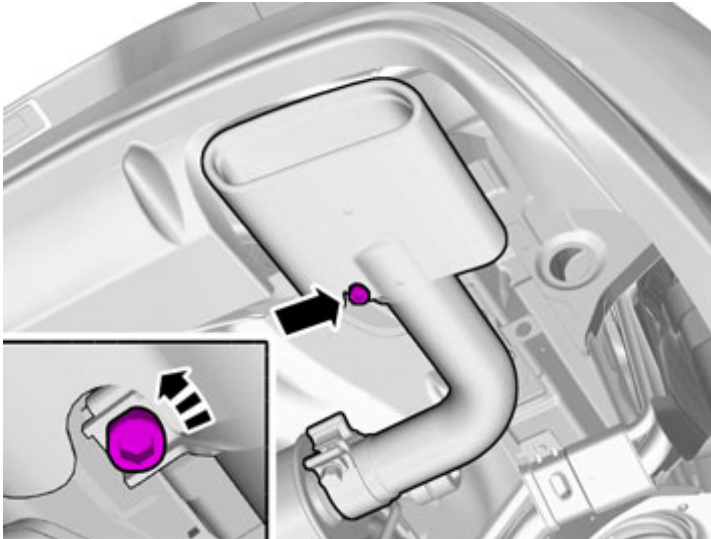


IMG-369326

**Note!**

Do not fully tighten the nut yet.

19



IMG-369328

Loosen the screws.



# Installation instructions, accessories

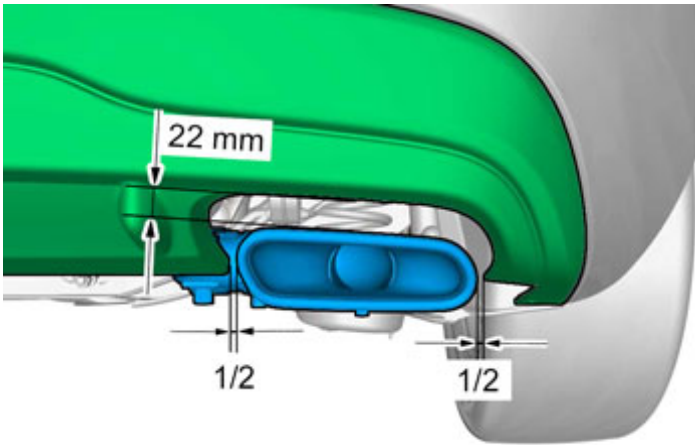
Volvo Car Corporation Gothenburg, Sweden

20



IMG-369330

21



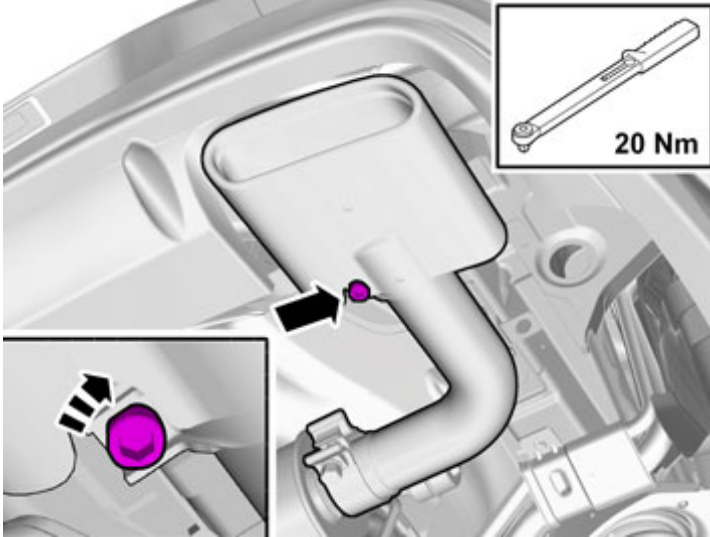
IMG-369332



# Installation instructions, accessories

Volvo Car Corporation Gothenburg, Sweden

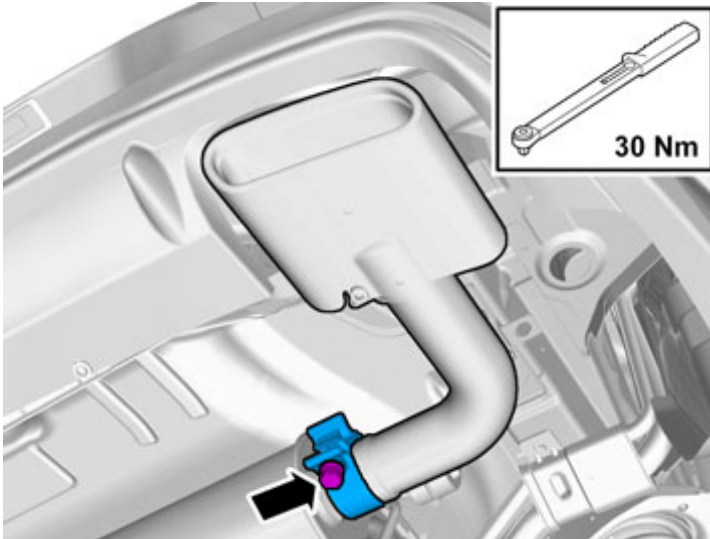
22



IMG-369334

Tighten the screw.

23



IMG-369335

Tighten the nut.

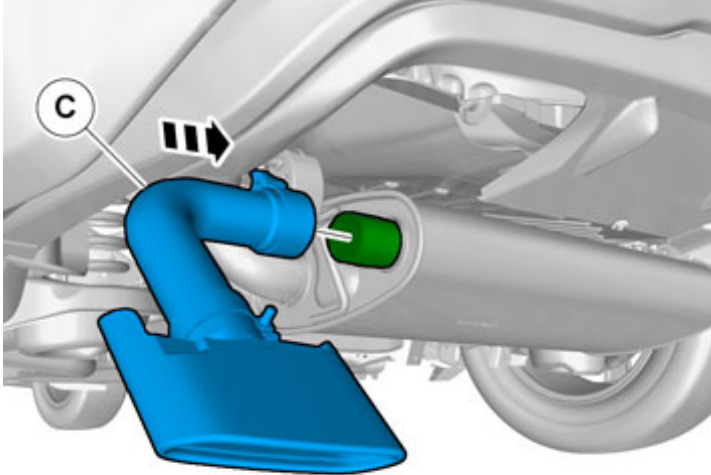
**Vehicles with gasoline engines**



# Installation instructions, accessories

Volvo Car Corporation Gothenburg, Sweden

24



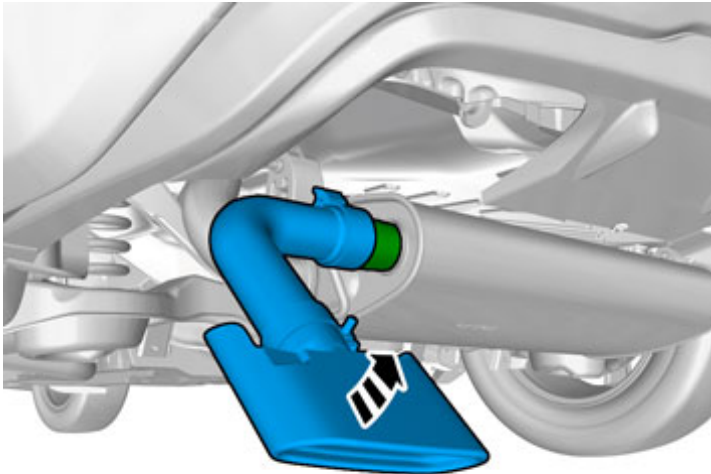
IMG-369281

**Caution!**

Make sure not to damage painted surfaces.

Install component that comes with the accessory kit.

25



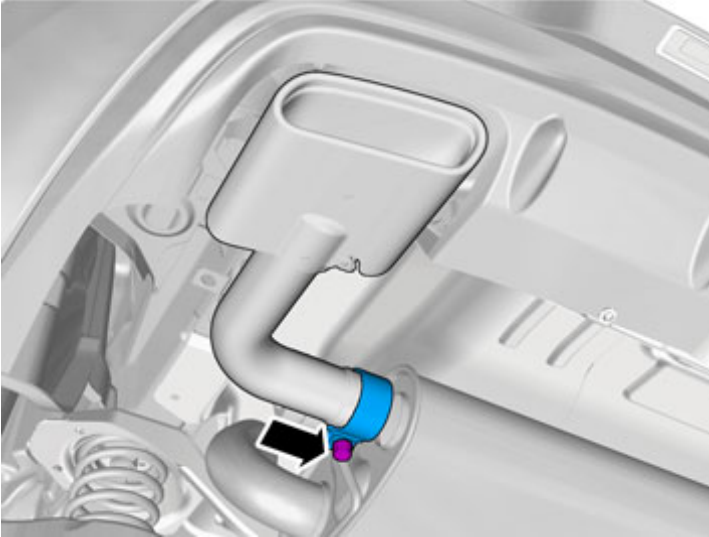
IMG-369284



# Installation instructions, accessories

Volvo Car Corporation Gothenburg, Sweden

26

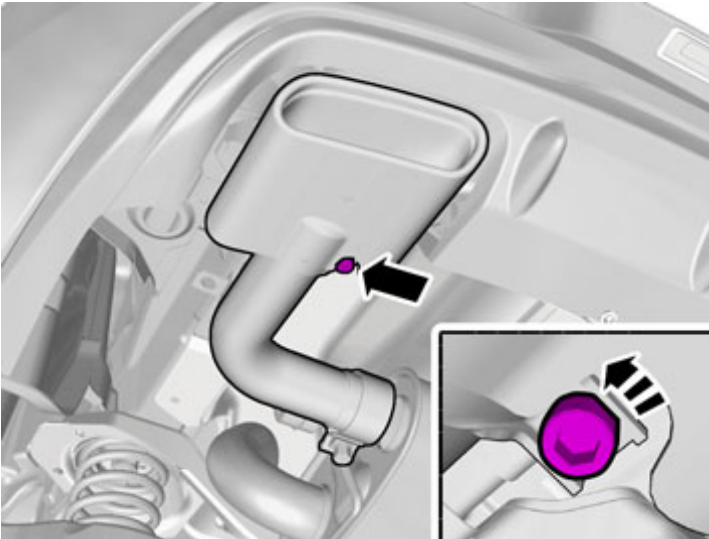


IMG-369290

**Note!**

Do not fully tighten the nut yet.

27



IMG-369293

Loosen the screws.

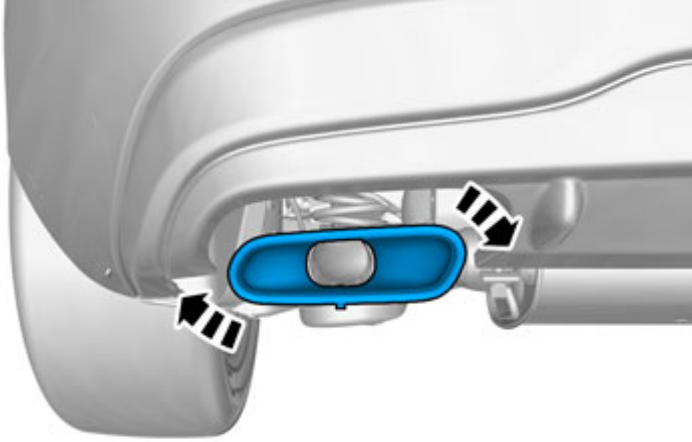




# Installation instructions, accessories

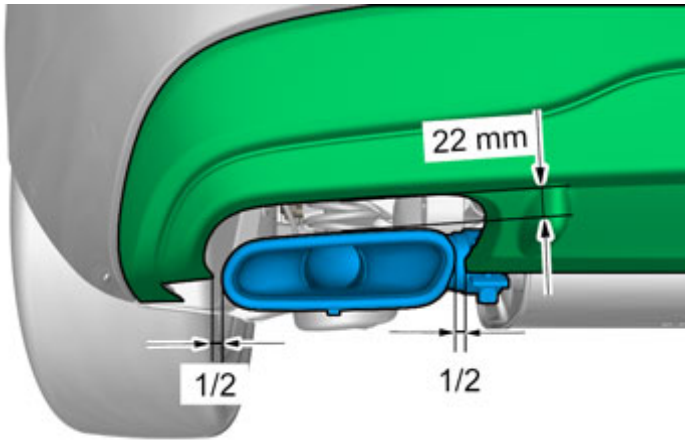
Volvo Car Corporation Gothenburg, Sweden

28



IMG-357621

29



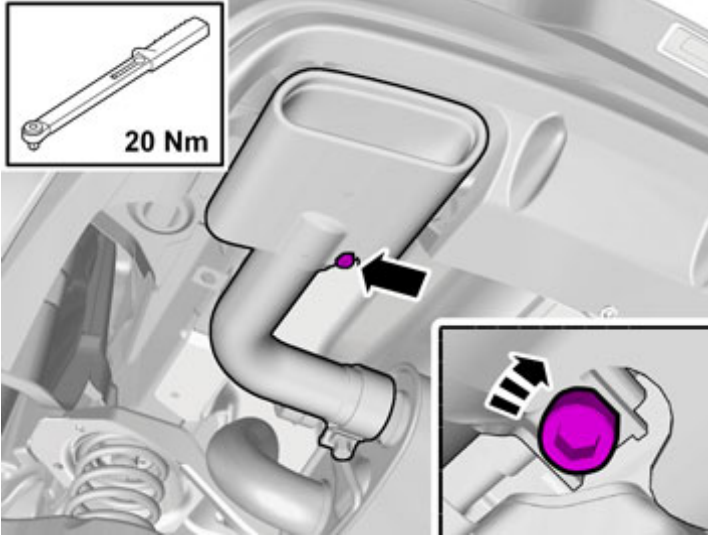
IMG-355644



# Installation instructions, accessories

Volvo Car Corporation Gothenburg, Sweden

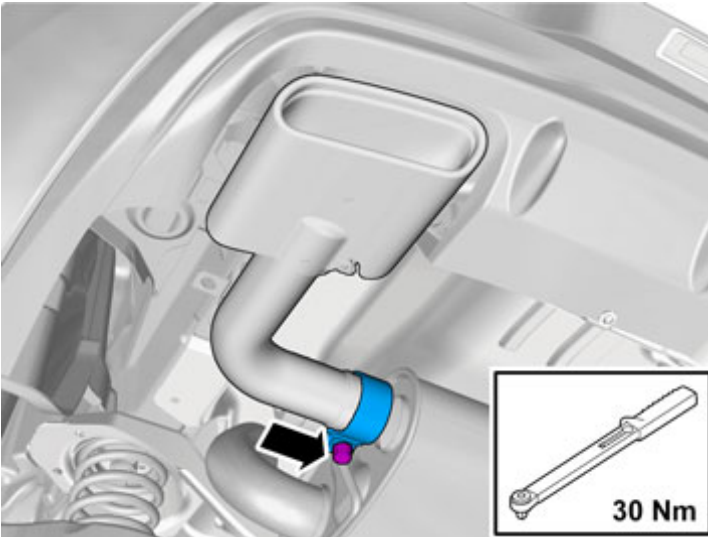
30



IMG-369294

Tighten the screw.

31



IMG-369295

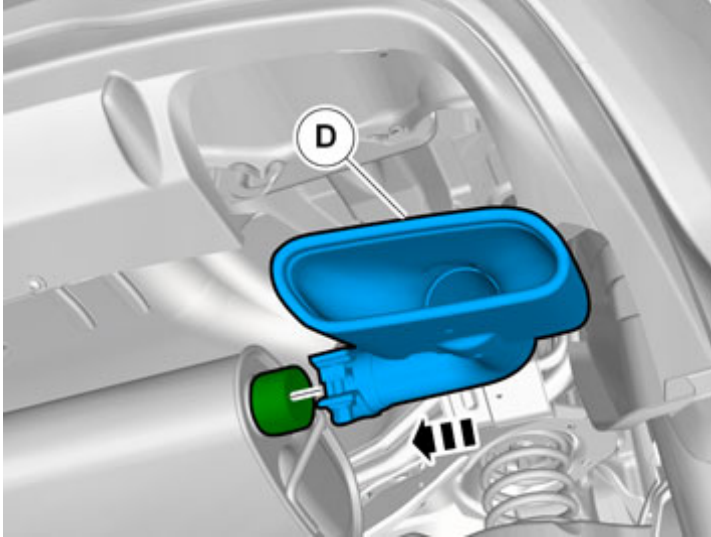
Tighten the nut.



# Installation instructions, accessories

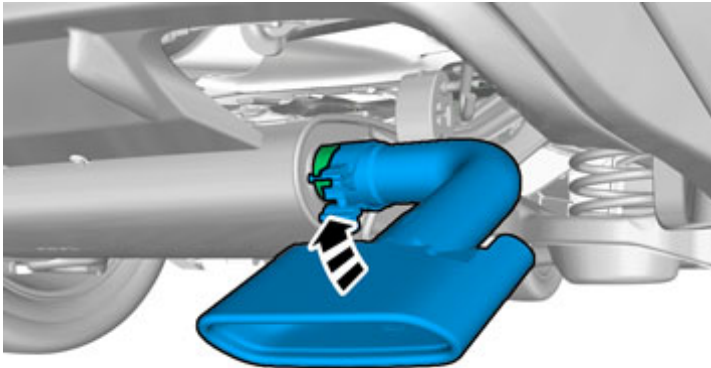
Volvo Car Corporation Gothenburg, Sweden

32



IMG-369337

33



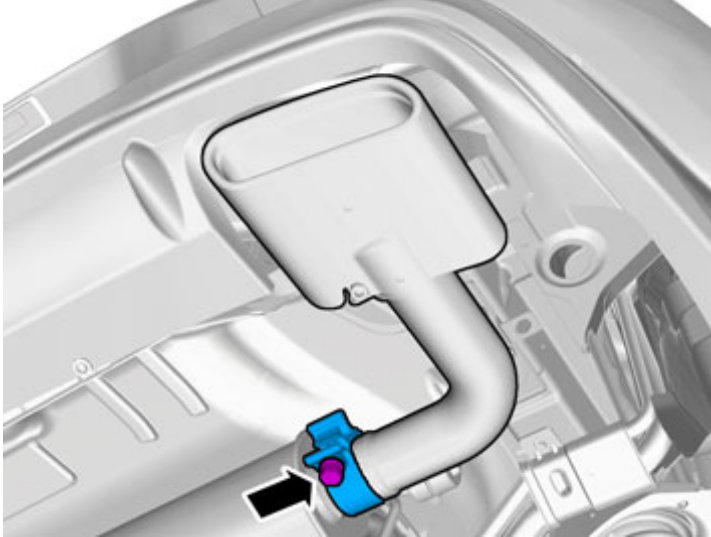
IMG-369325



# Installation instructions, accessories

Volvo Car Corporation Gothenburg, Sweden

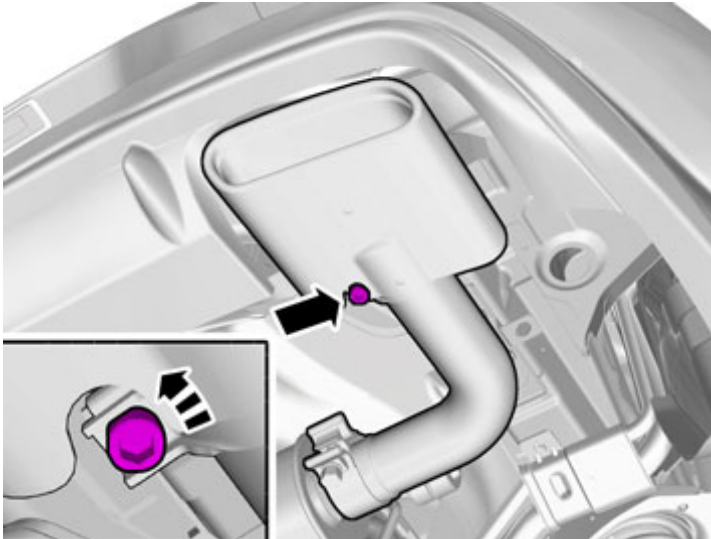
34



IMG-369326

**Note!**  
Do not fully tighten the nut yet.

35



IMG-369328

Tighten the screw.



# Installation instructions, accessories

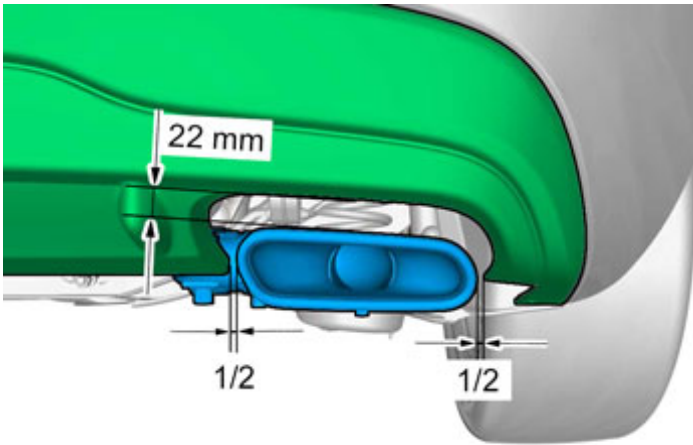
Volvo Car Corporation Gothenburg, Sweden

36



IMG-369330

37



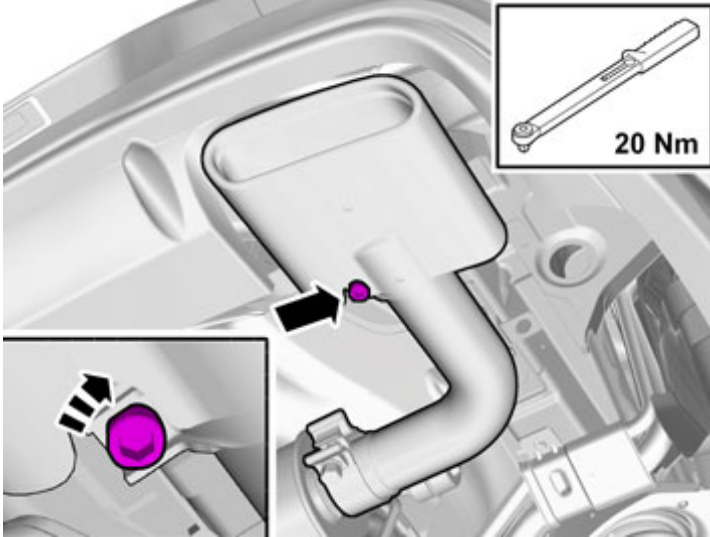
IMG-369332



# Installation instructions, accessories

Volvo Car Corporation Gothenburg, Sweden

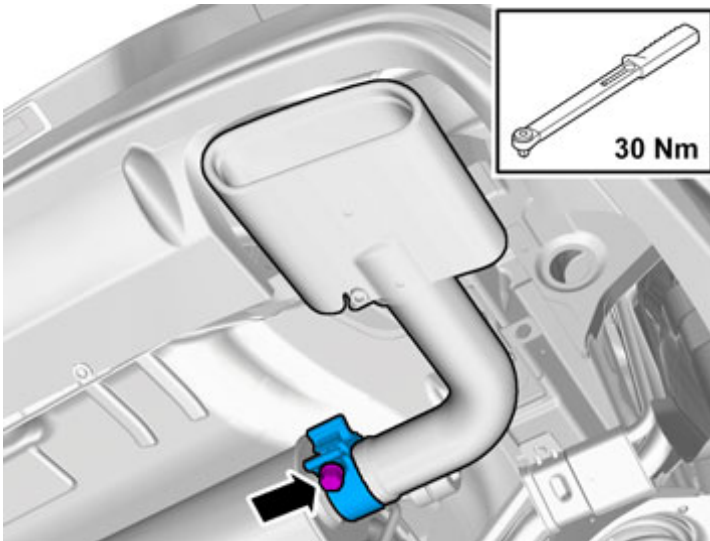
38



IMG-369334

Tighten the screw.

39



IMG-369335

Tighten the nut.