



Installation instructions, accessories

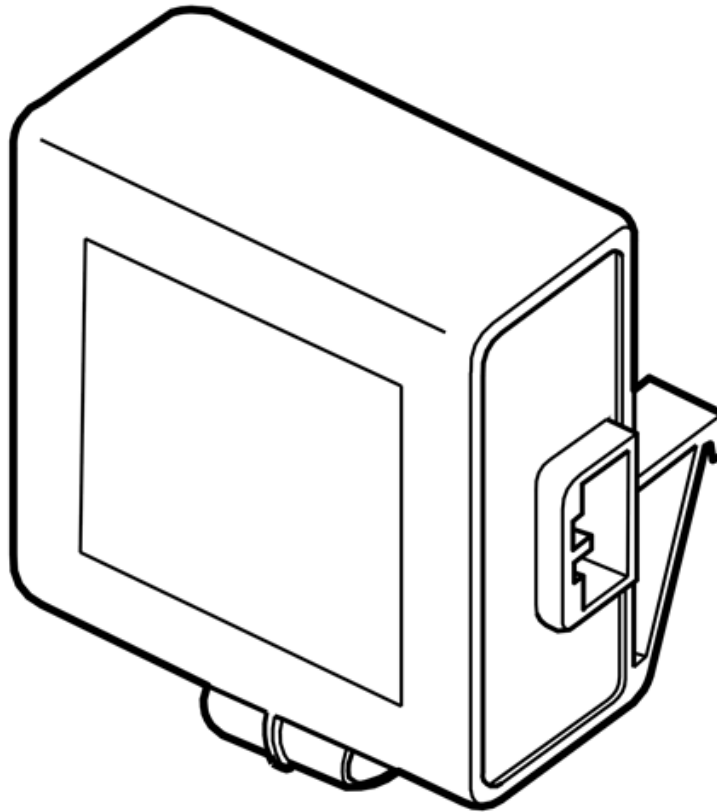
Volvo Car Corporation Gothenburg, Sweden

Instruction No
9172598

Version
1.1

Part. No.
9472105

Level sensor



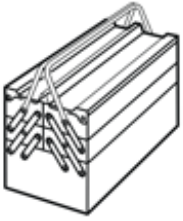
D3902151



Installation instructions, accessories

Volvo Car Corporation Gothenburg, Sweden

Equipment



A0000162



A0801178



Installation instructions, accessories

Volvo Car Corporation Gothenburg, Sweden

INTRODUCTION

Read through all of the instructions before starting installation.

Notifications and warning texts are for your safety and to minimise the risk of something breaking during installation.

Ensure that all tools stated in the instructions are available before starting installation.

Certain steps in the instructions are only presented in the form of images. Explanatory text is also given for more complicated steps.

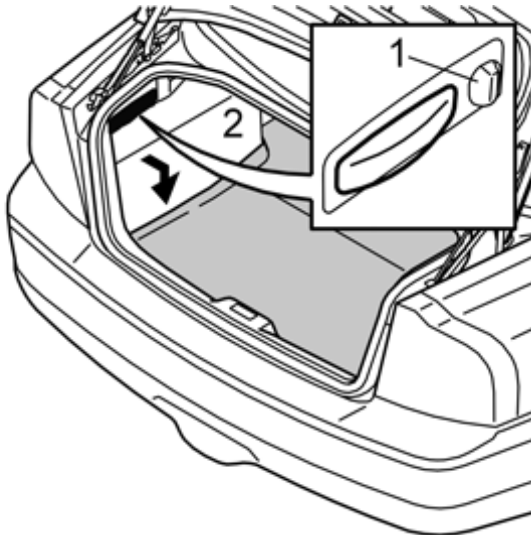
In the event of any problems with the instructions or the accessory, contact your local Volvo dealer.

Note!

This accessory is connected to the car's electrical system. It requires software unique to the car.

Applies to the S60/S80

1



Applies to the S60/S80

Preparations

Turn the knob (1) on the left-hand rear panel through 90°

Fold the panel (2) inwards.

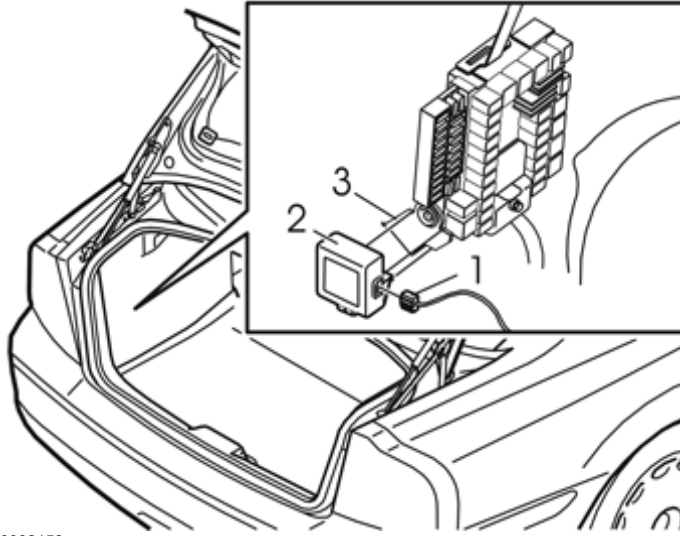
D8503149



Installation instructions, accessories

Volvo Car Corporation Gothenburg, Sweden

2



D3902152

Installation

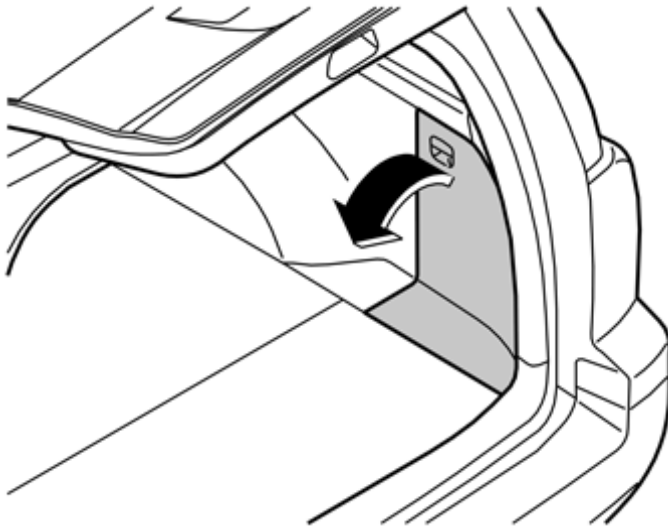
Disconnect the pre-routed green (GN) connector (1), taped on the cable harness under the fuse holder. Connect the connector to the tilt sensor (2)

Install the tilt sensor on the bracket (3)

Reinstall the side panel in the cargo compartment. Reinstall the carpet in the cargo compartment. See procedure .

Only applies to the V70 (00-)

3



M8503006

Only applies to the V70 (00-)

Preparations

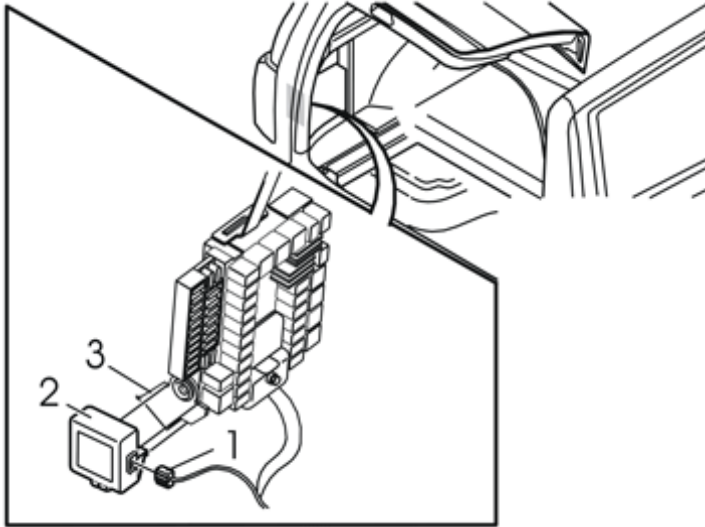
Remove the left foldable panel in the cargo compartment.



Installation instructions, accessories

Volvo Car Corporation Gothenburg, Sweden

4



M3903005

Installation

Disconnect the pre-routed green (GN) connector (1), taped on the cable harness under the fuse holder. Connect the connector to the tilt sensor (2)

Install the tilt sensor on the bracket (3)

Reinstall the foldable panel.

Applies to all models

5

Applies to all models

Program the software according to the service information in VIDA.