



# Installation instructions, accessories

Volvo Car Corporation Gothenburg, Sweden

**Instruction No**  
32204462

**Version**  
1.1

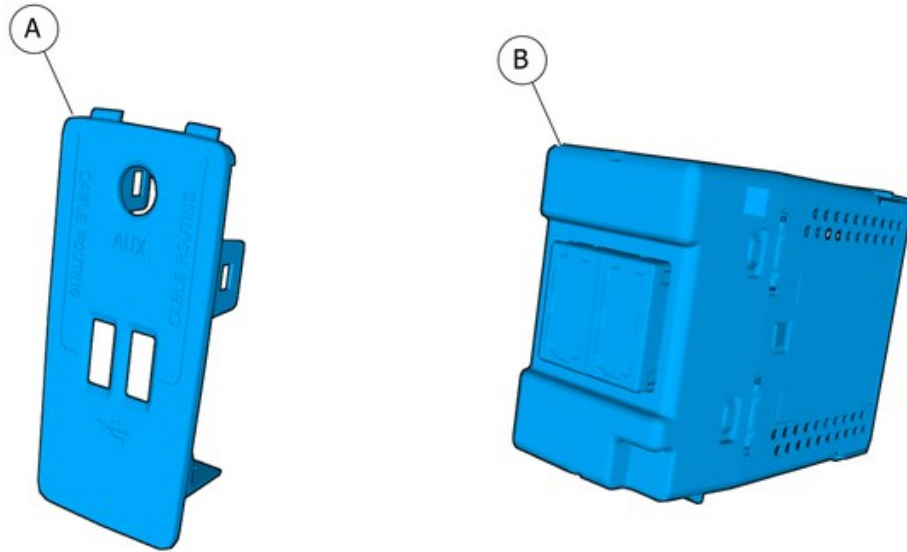
**Part. No.**  
32204228, 32207897

## Integrated smartphone



# Installation instructions, accessories

Volvo Car Corporation Gothenburg, Sweden



IMG-439806



# Installation instructions, accessories

Volvo Car Corporation Gothenburg, Sweden

## Information

1

Read through all of the instructions before starting installation.

Notifications and warning texts are for your safety and to minimise the risk of something breaking during installation.

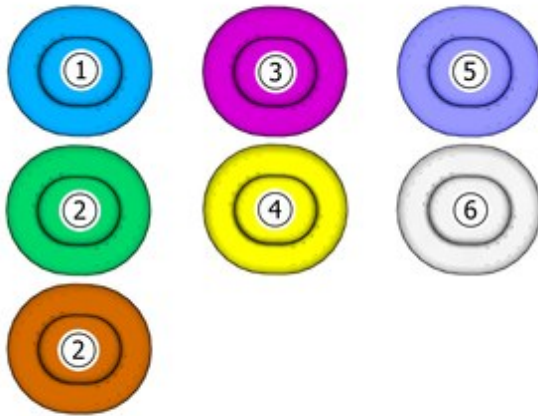
Ensure that all tools stated in the instructions are available before starting installation.

Certain steps in the instructions are only presented in the form of images. Explanatory text is also given for more complicated steps.

In the event of any problems with the instructions or the accessory, contact your local Volvo dealer.

## Color symbols

2



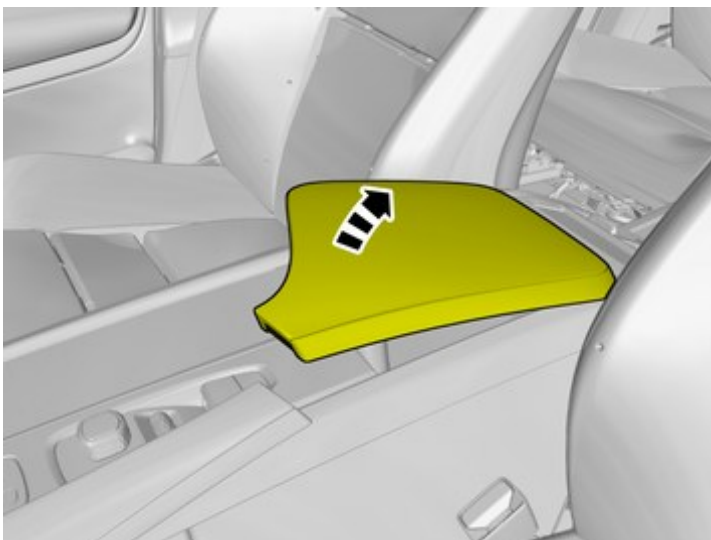
### Note!

This colour chart displays (in colour print and electronic version) the importance of the different colours used in the images of the method steps.

1. Used for focused component, the component with which you will do something.
2. Used as extra colors when you need to show or differentiate additional parts.
3. Used for attachments that are to be removed/installed. May be screws, clips, connectors, etc.
4. Used when the component is not fully removed from the vehicle but only hung to the side.
5. Used for standard tools and special tools.
6. Used as background color for vehicle components.

IMG-363036

3



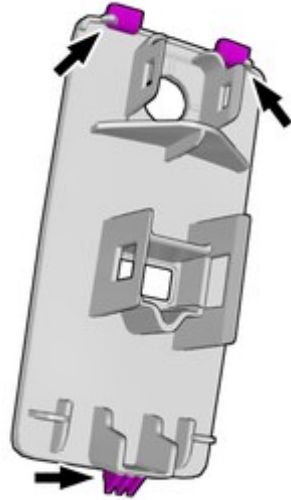
IMG-439801



# Installation instructions, accessories

Volvo Car Corporation Gothenburg, Sweden

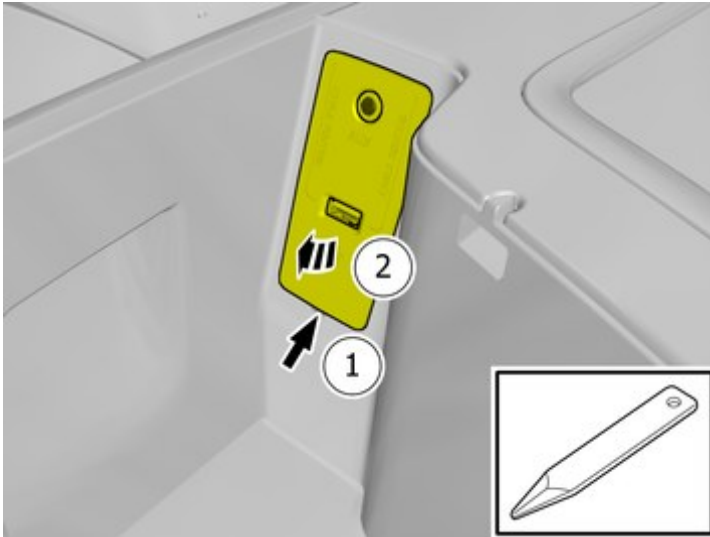
4



The graphic shows the back of the component.

IMG-439523

5



Loosen the marked detail.

IMG-439522

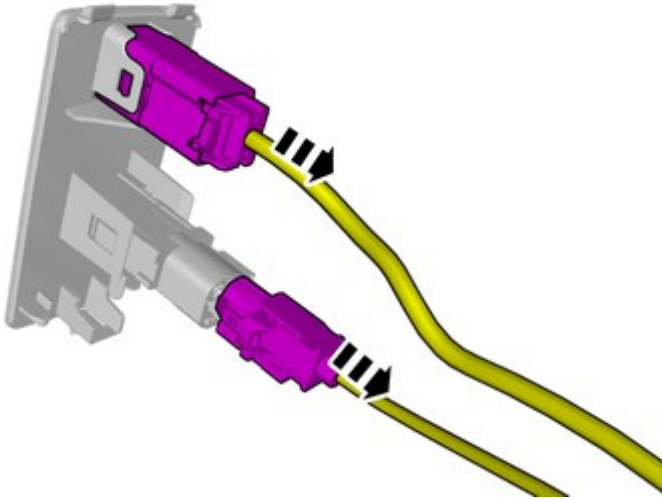


# Installation instructions, accessories

Volvo Car Corporation Gothenburg, Sweden

6

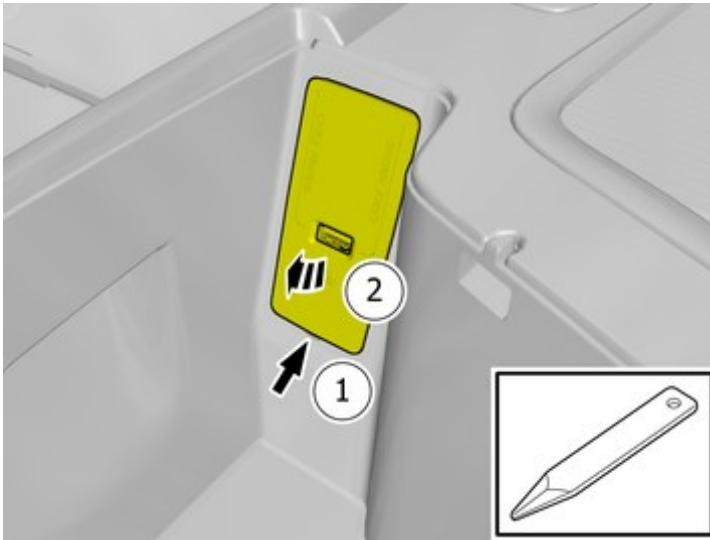
Disconnect the connectors.



IMG-439524

## Alternative 2

7



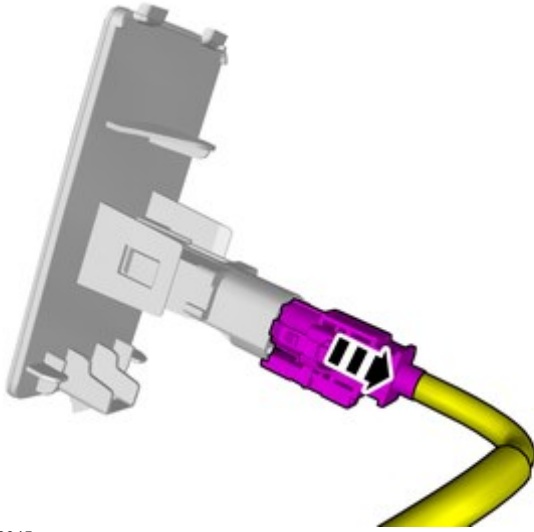
IMG-439871



# Installation instructions, accessories

Volvo Car Corporation Gothenburg, Sweden

8

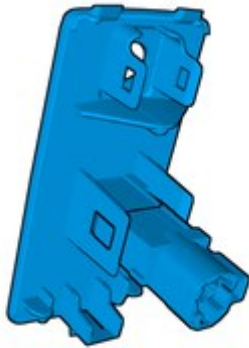


IMG-439945

**All vehicles**

9

The part is not to be reused.



IMG-439526

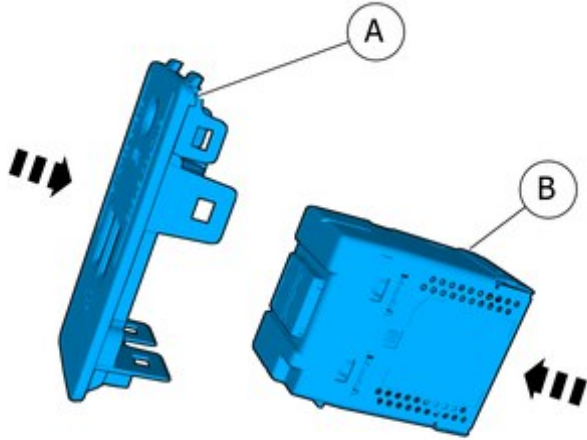


# Installation instructions, accessories

Volvo Car Corporation Gothenburg, Sweden

10

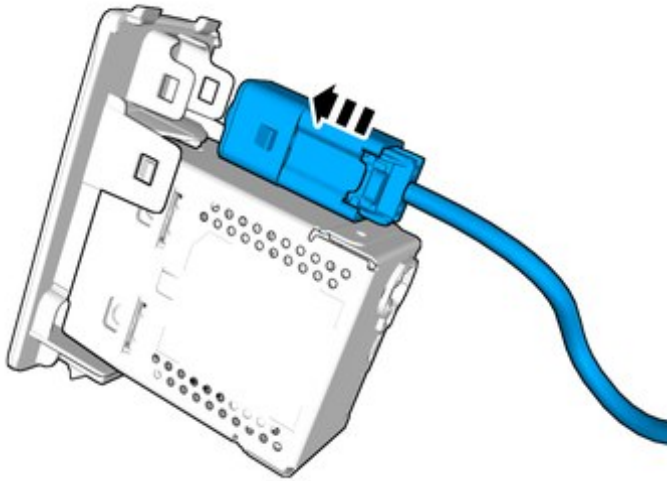
Assemble components that come with the accessory kit.



IMG-438495

11

Reinstall the removed part.



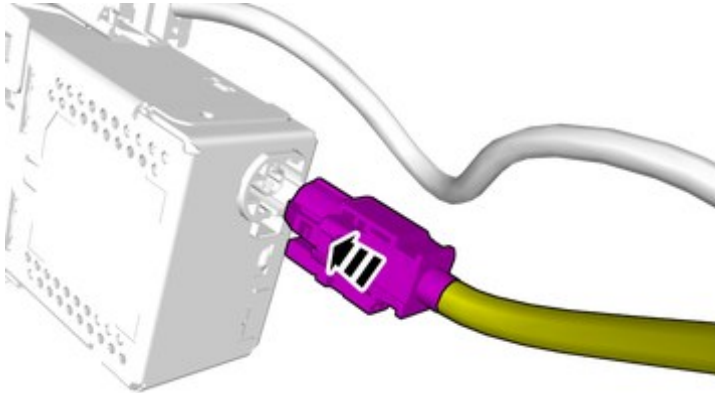
IMG-438496



# Installation instructions, accessories

Volvo Car Corporation Gothenburg, Sweden

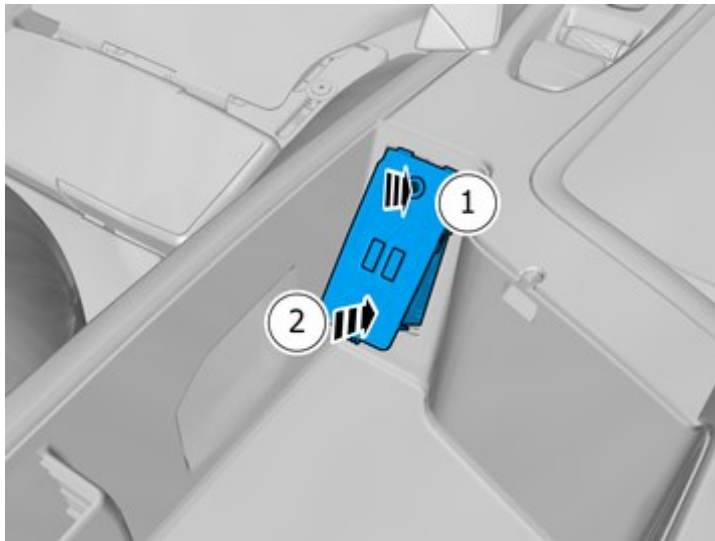
12



Connect the connector.

IMG-438500

13



Install the marked component.

IMG-438528

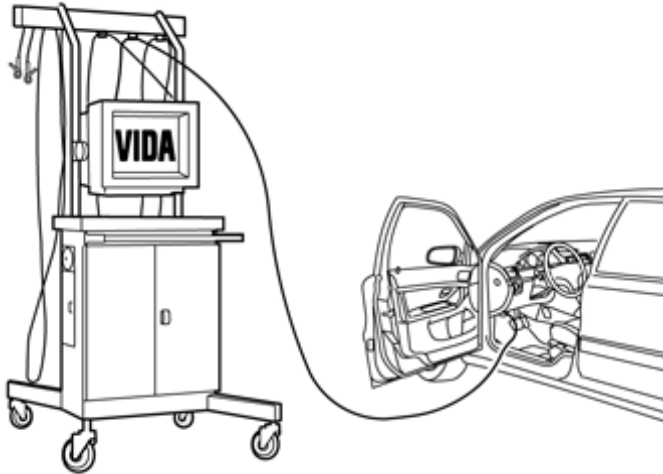




# Installation instructions, accessories

Volvo Car Corporation Gothenburg, Sweden

14



IMG-242268

Download software (application) for the accessory's function according to the service information in VIDA. See VIDA or the accessories catalogue for software part number.

First, download the software for USB, then Smartphone Integration.