



# Installation instructions, accessories

Volvo Car Corporation Gothenburg, Sweden

**Instruction No**  
31359367

**Version**  
1.2

**Part. No.**  
31373767, 31373457, 31359354, 31373455, 31359366, 31373458

## Skid plate, rear bumper



IMG-374691



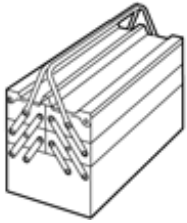
# Installation instructions, accessories

Volvo Car Corporation Gothenburg, Sweden

## Materials

Designation	Part number
Isopropanol	1161721

## Equipment



IMG-345497



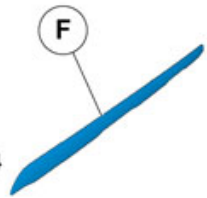
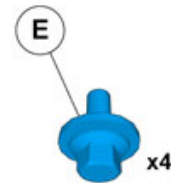
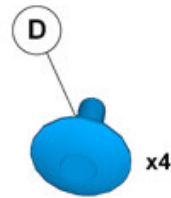
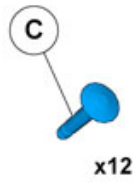
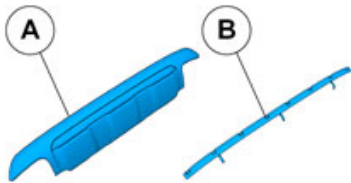
IMG-239660



IMG-239940



IMG-239944



IMG-375493



# Installation instructions, accessories

Volvo Car Corporation Gothenburg, Sweden

## Information

1

Read through all of the instructions before starting installation.

Notifications and warning texts are for your safety and to minimise the risk of something breaking during installation.

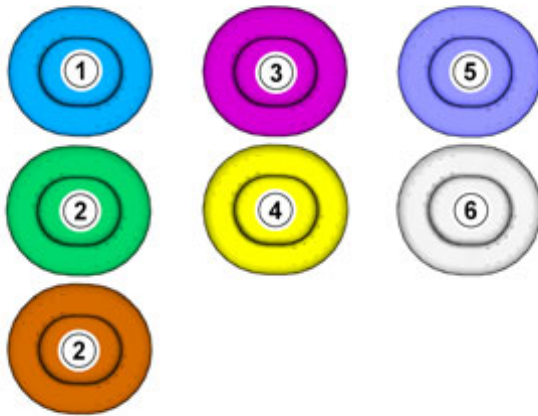
Ensure that all tools stated in the instructions are available before starting installation.

Certain steps in the instructions are only presented in the form of images. Explanatory text is also given for more complicated steps.

In the event of any problems with the instructions or the accessory, contact your local Volvo dealer.

## Color symbols

2



### Note!

This colour chart displays (in colour print and electronic version) the importance of the different colours used in the images of the method steps.

1. Used for focused component, the component with which you will do something.
2. Used as extra colors when you need to show or differentiate additional parts.
3. Used for attachments that are to be removed/installed. May be screws, clips, connectors, etc.
4. Used when the component is not fully removed from the vehicle but only hung to the side.
5. Used for standard tools and special tools.
6. Used as background color for vehicle components.

IMG-363036

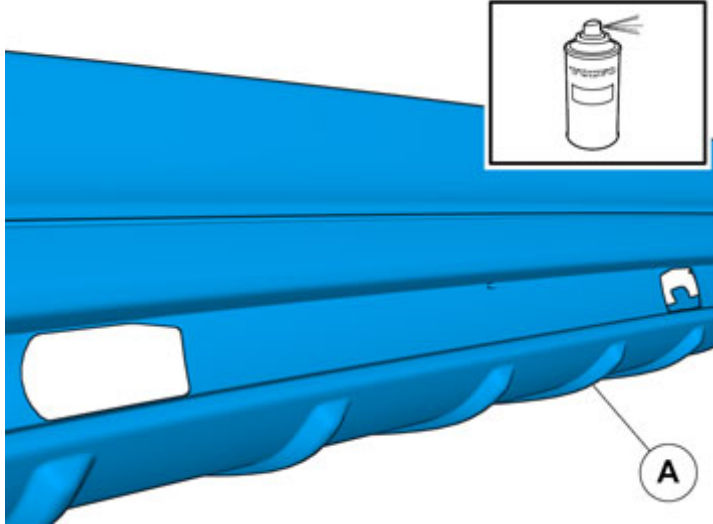
## Applies to unpainted component



# Installation instructions, accessories

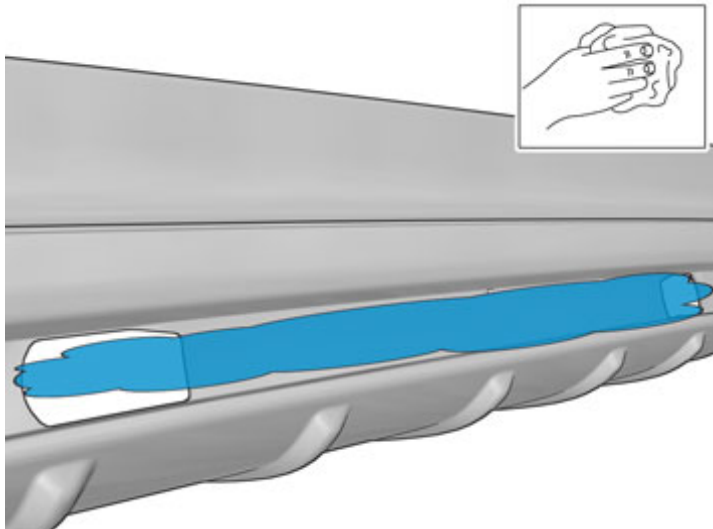
Volvo Car Corporation Gothenburg, Sweden

3



IMG-377406

4



IMG-377315

**Caution!**  
First the paint must dry after painting.

Clean the surface.

**Use:** 1161721, Isopropanol

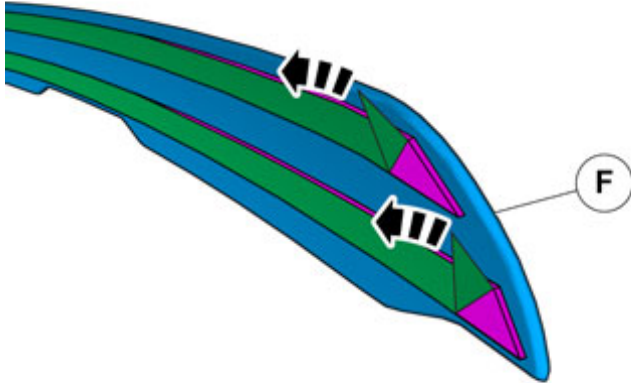


# Installation instructions, accessories

Volvo Car Corporation Gothenburg, Sweden

5

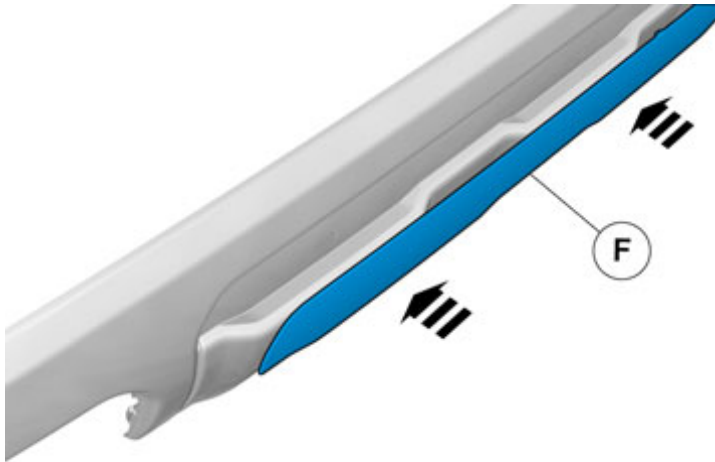
Remove the protective film.



IMG-377469

6

Install component that comes with the accessory kit.



IMG-377467

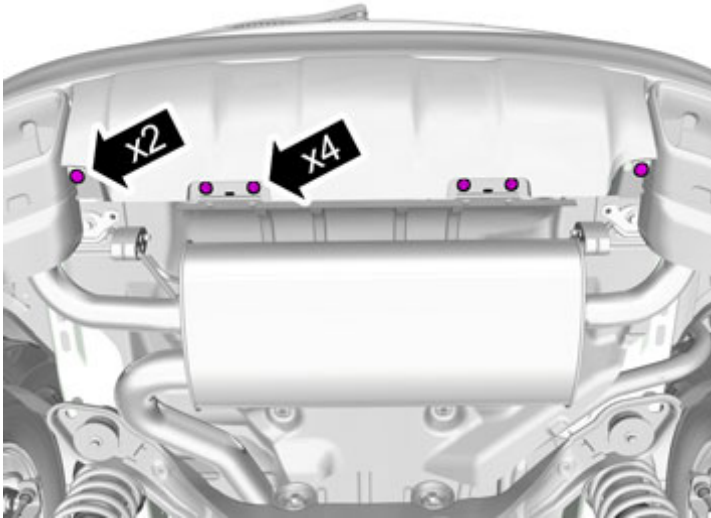
**Removal**



# Installation instructions, accessories

Volvo Car Corporation Gothenburg, Sweden

7



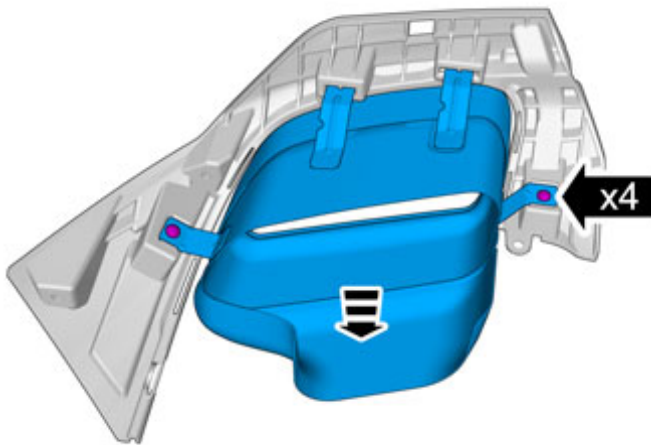
IMG-374748

Remove the clips.

**Use:** Drift

Remove the screws.

8



IMG-376953

Remove the screws.

Loosen the component indicated. Do not remove it.

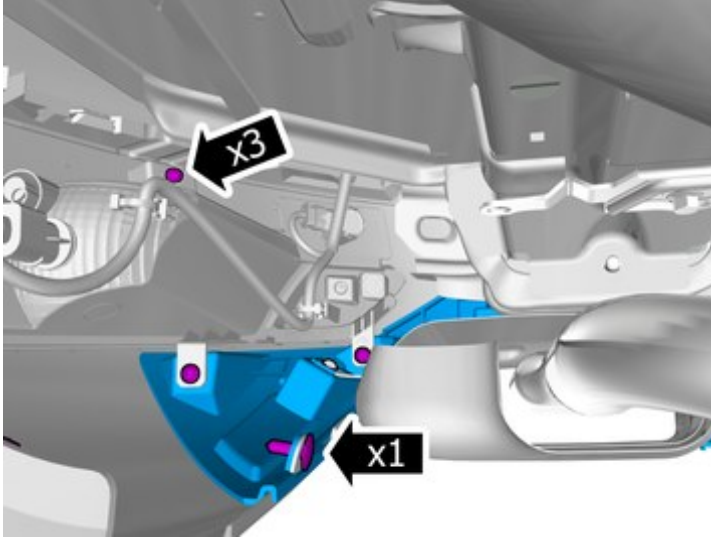
On both sides.



# Installation instructions, accessories

Volvo Car Corporation Gothenburg, Sweden

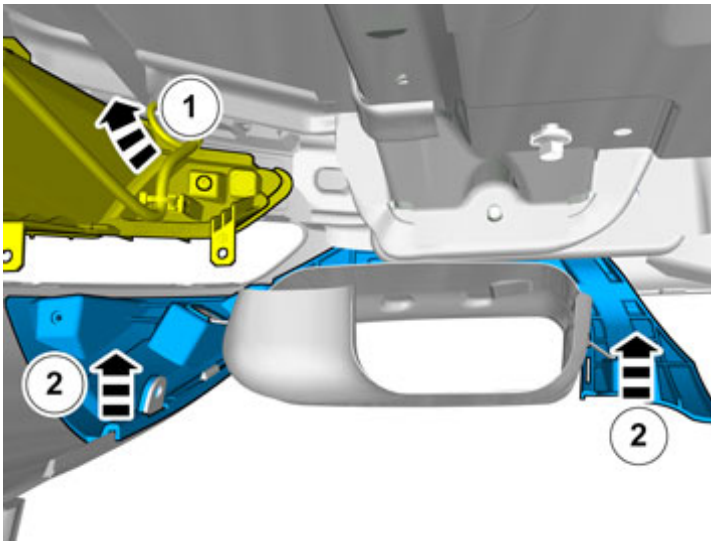
9



IMG-376937

Remove the screws.  
Remove the clip.  
On both sides.

10



IMG-376950

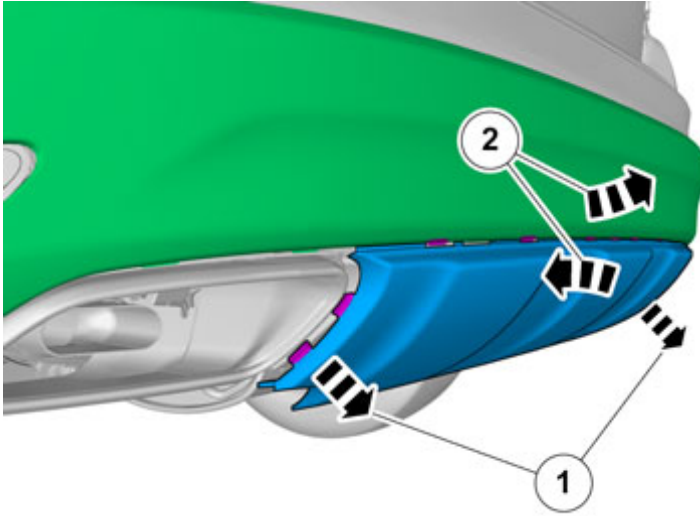
Remove the part carefully  
Remove the panel.  
On both sides.  
**Use:** Interior trim remover



# Installation instructions, accessories

Volvo Car Corporation Gothenburg, Sweden

11



**Use:** Interior trim remover

IMG-376844

12



The part is not to be reused.

IMG-374759

**Accessory installation**

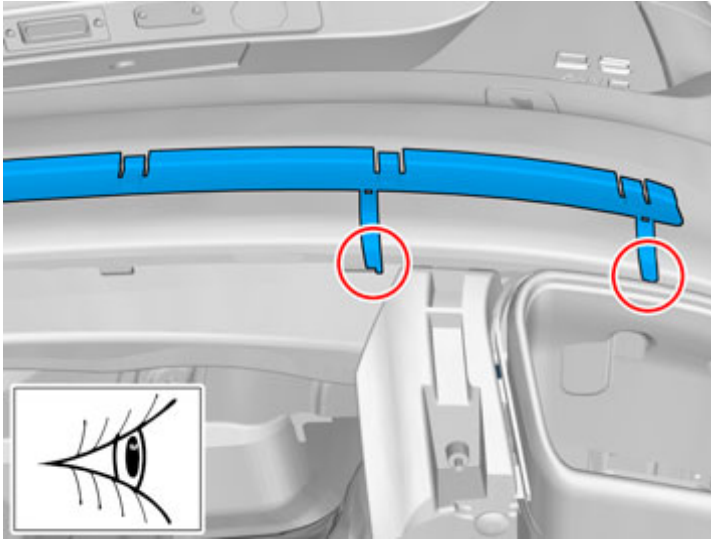




# Installation instructions, accessories

Volvo Car Corporation Gothenburg, Sweden

13



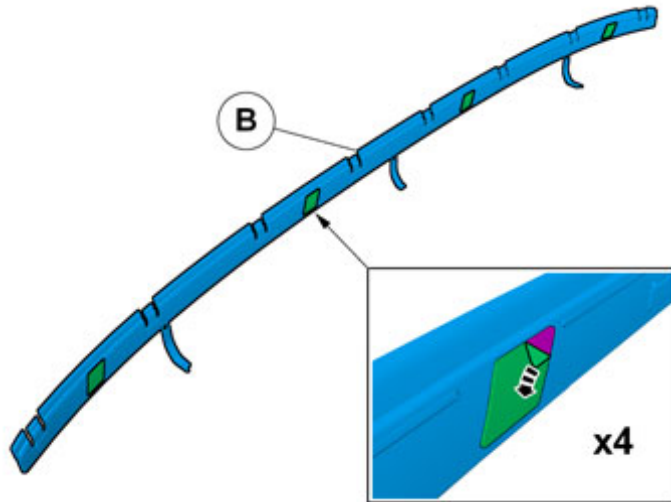
IMG-374767

**Note!**  
Orientation view

Note the position.

On both sides.

14



IMG-375271

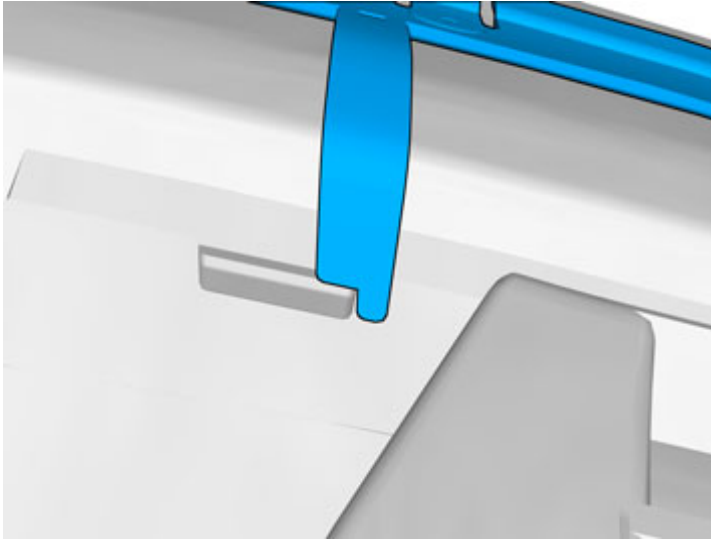
Remove the protective film.



# Installation instructions, accessories

Volvo Car Corporation Gothenburg, Sweden

15

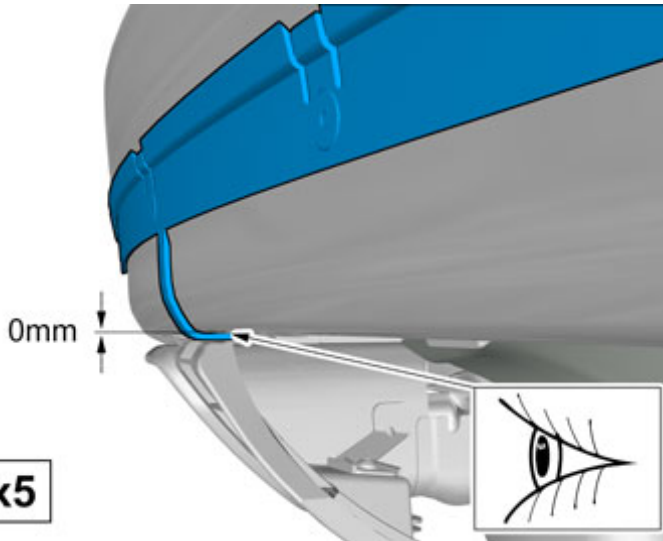


IMG-374768

**Note!**  
Note the position.

On both sides.

16



x5

IMG-375495

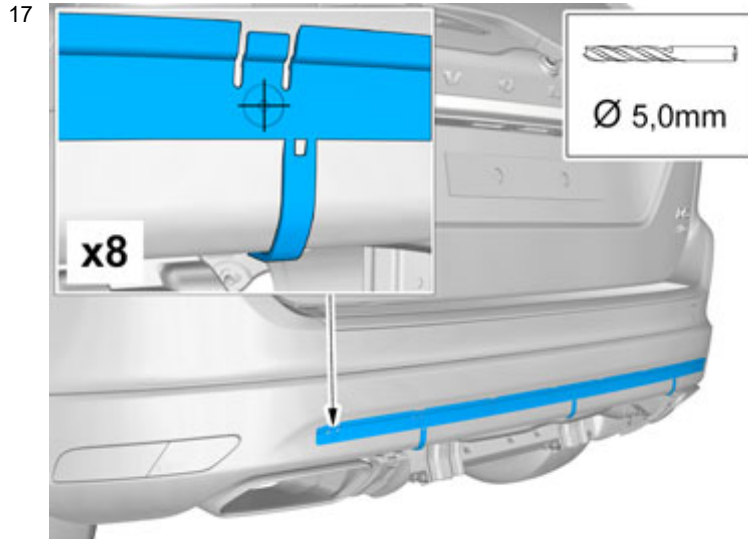
**Note!**  
Note the position.

Install the clips as illustrated.



# Installation instructions, accessories

Volvo Car Corporation Gothenburg, Sweden

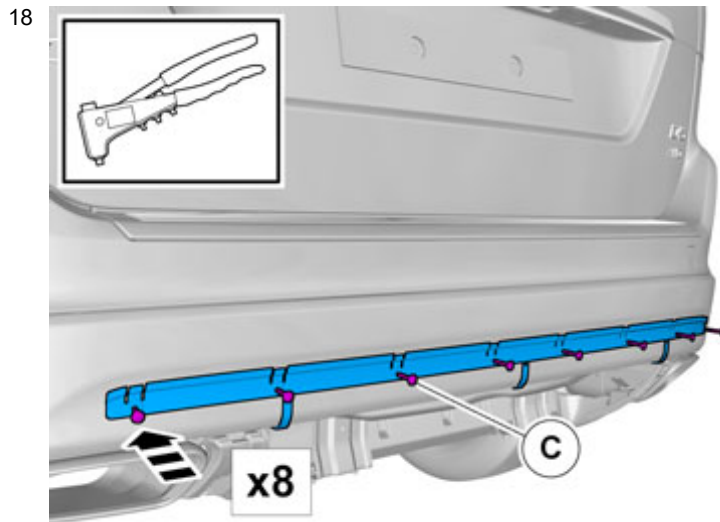


**Note!**

Ensure that the tape is fixed to the surface.

Locate the markings for the positions.

Drill the holes.



**Use:** Pop rivet pliers

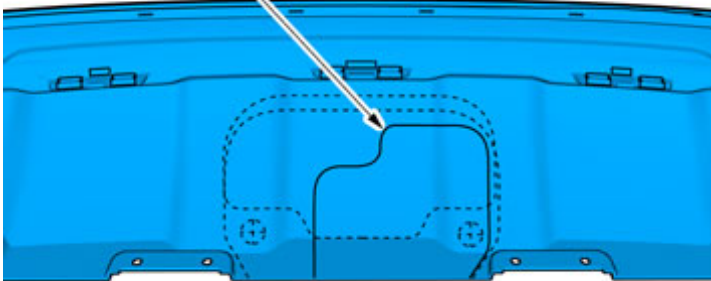
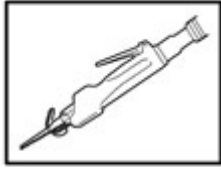
**Vehicles with fixed towbar**



# Installation instructions, accessories

Volvo Car Corporation Gothenburg, Sweden

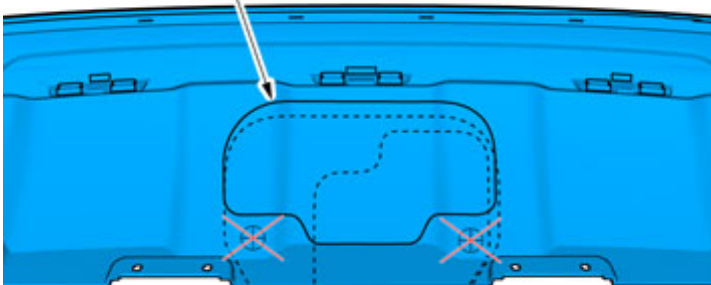
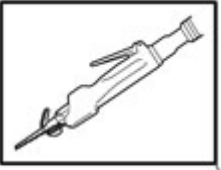
19



IMG-375518

Vehicles with detachable towbar

20

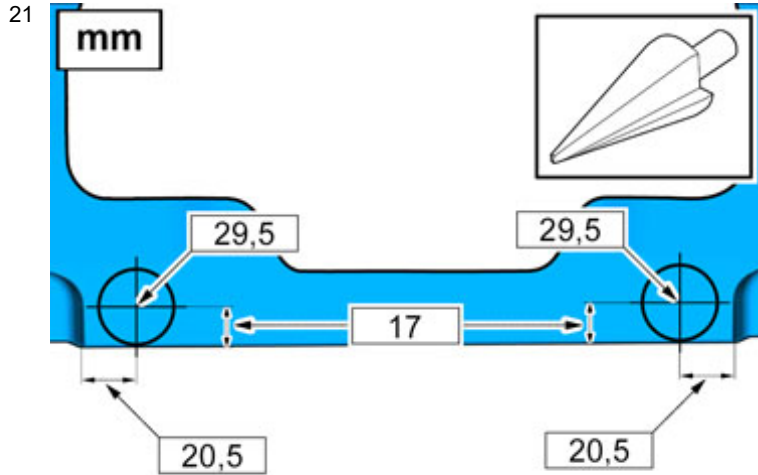


IMG-375517

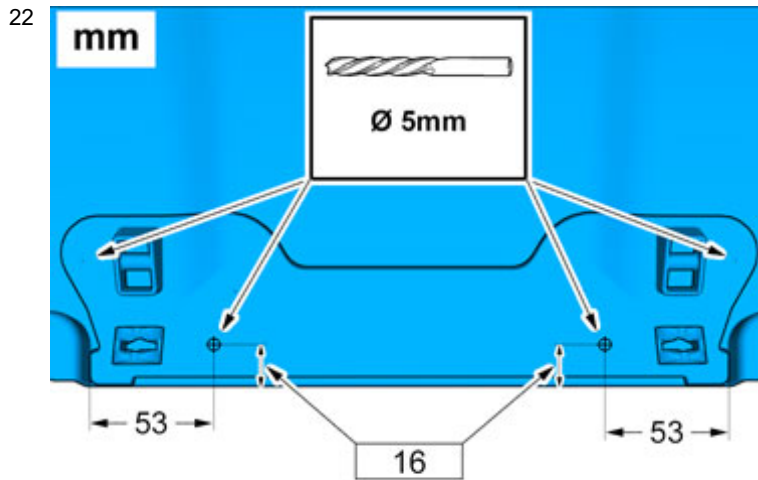


# Installation instructions, accessories

Volvo Car Corporation Gothenburg, Sweden



IMG-376894



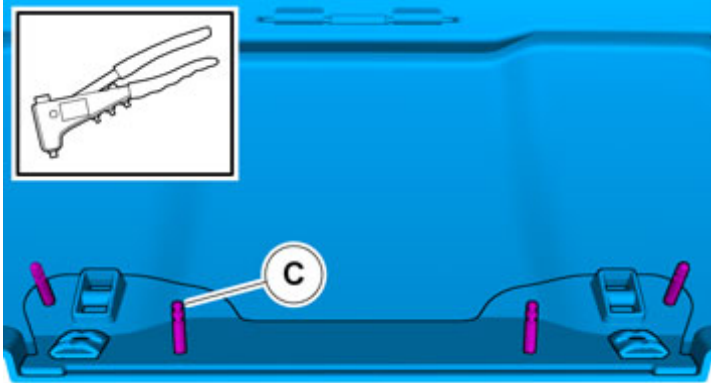
IMG-376899



# Installation instructions, accessories

Volvo Car Corporation Gothenburg, Sweden

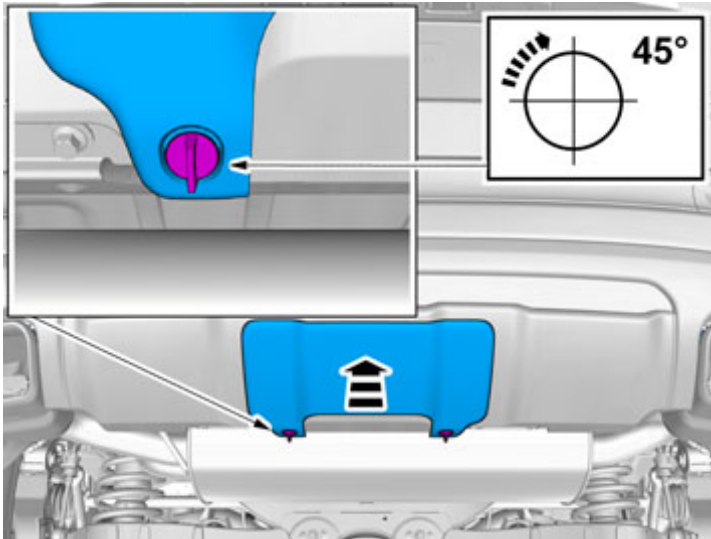
23



x4

IMG-376900

24



IMG-376903

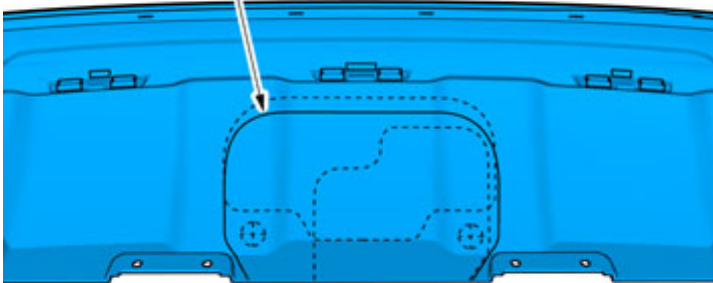
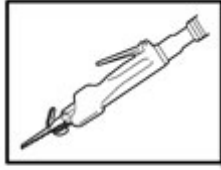
Vehicles with towbar, Hitch



# Installation instructions, accessories

Volvo Car Corporation Gothenburg, Sweden

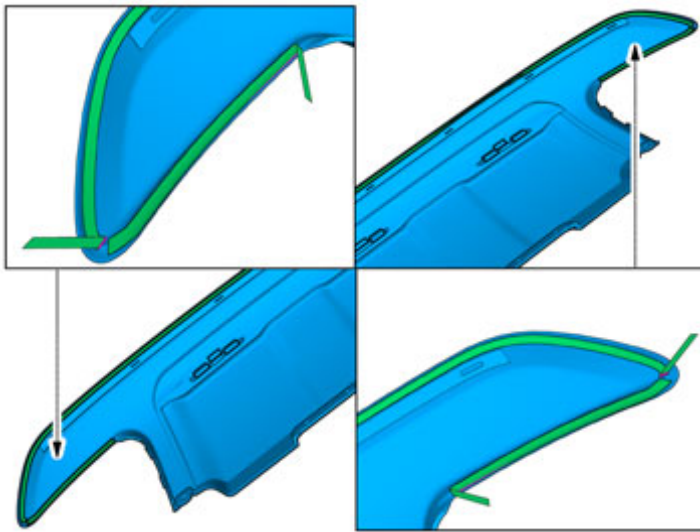
25



IMG-375516

All vehicles

26



IMG-376845

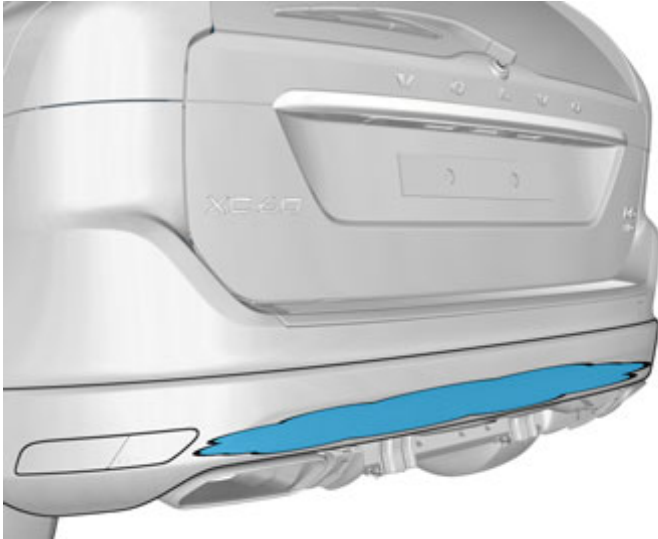
Fold the protective film forward



# Installation instructions, accessories

Volvo Car Corporation Gothenburg, Sweden

27

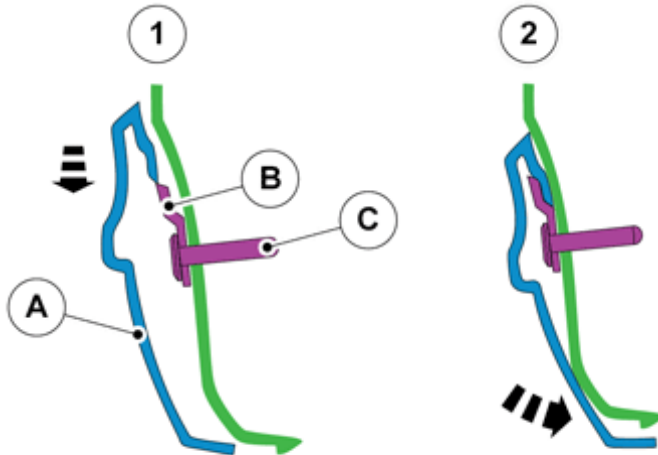


IMG-376961

Clean the surface.

**Use:** 1161721, Isopropanol

28



IMG-374899

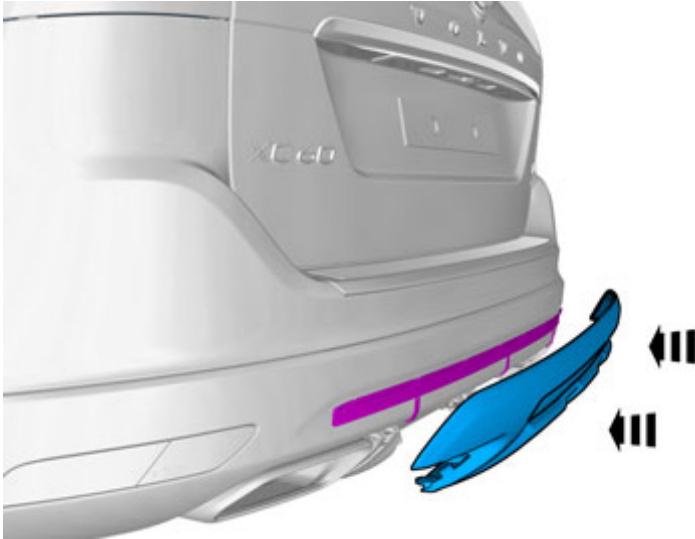




# Installation instructions, accessories

Volvo Car Corporation Gothenburg, Sweden

29



IMG-374898

30



IMG-376850

Remove the protective film.

**Hint**

Press and apply pressure to the part over the tape for at least 20 seconds.

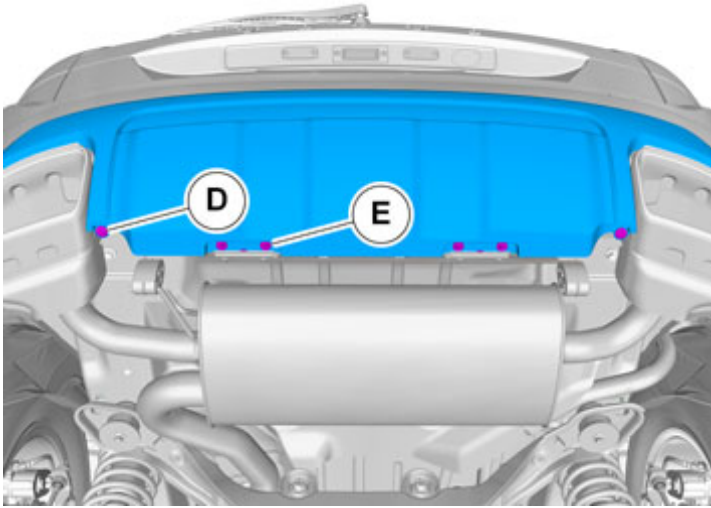


# Installation instructions, accessories

Volvo Car Corporation Gothenburg, Sweden

31

Install component that comes with the accessory kit.



IMG-376865

---

## Installation

32

Reinstall the removed parts in reverse order.

---