

Installation instructions, accessories

Volvo Car Corporation Gothenburg, Sweden

Instruction No	Version	Part. No.
31414719	1.0	31470049, 31470046, 31470052, 31470048, 31470045, 31470054, 31470051, 31470047, 31470044, 31470053, 31414699, 31414700, 31414701, 31414702, 31414703, 31414704, 31414705, 31414706

Decor panel kit

Special tools

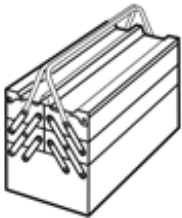
999 5919 PULLER (SEAL-PINION,CAM-CRANKSHAFT)B200-6304

Tool number:999 5919

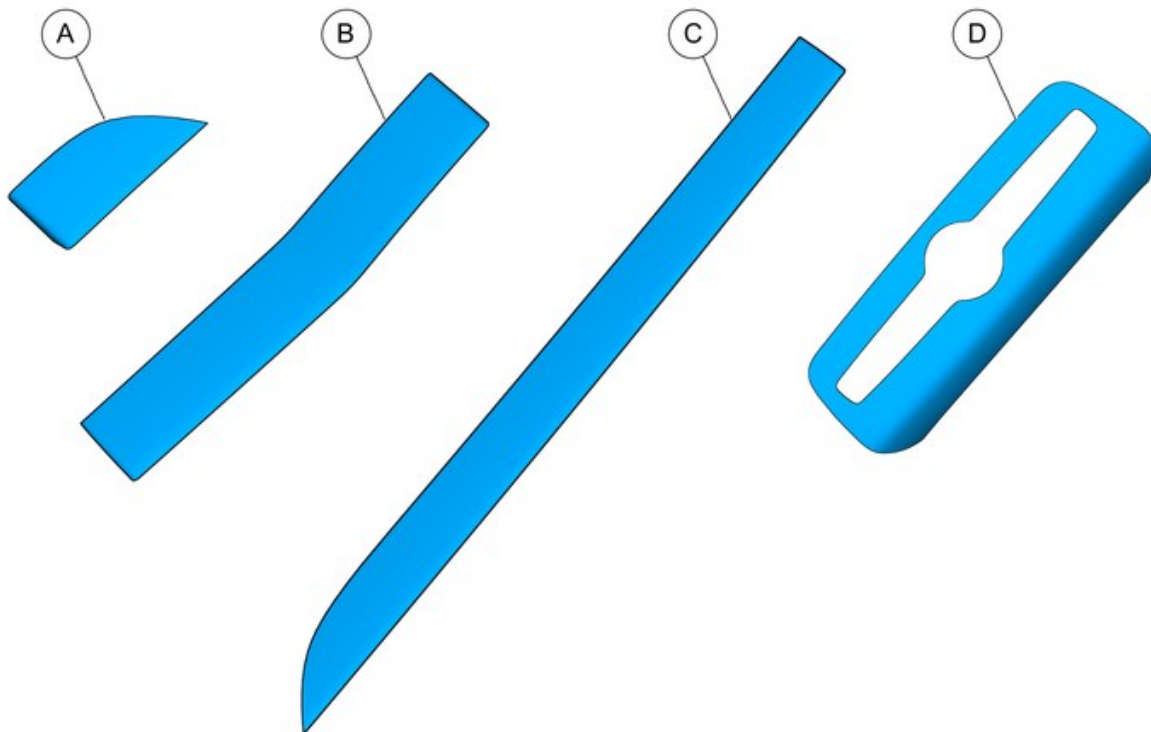
Tool description:PULLER (SEAL-PINION,CAM-CRANKSHAFT)B200-6304

Tool boards:46

Equipment



A0000162



IMG-387567

Installation instructions, accessories

Volvo Car Corporation Gothenburg, Sweden

Installation instructions, accessories

Volvo Car Corporation Gothenburg, Sweden

Information

1

Read through all of the instructions before starting installation.

Notifications and warning texts are for your safety and to minimise the risk of something breaking during installation.

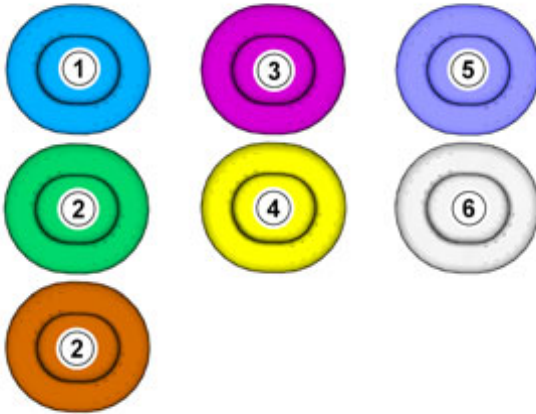
Ensure that all tools stated in the instructions are available before starting installation.

Certain steps in the instructions are only presented in the form of images. Explanatory text is also given for more complicated steps.

In the event of any problems with the instructions or the accessory, contact your local Volvo dealer.

Color symbols

2



Note!

This colour chart displays (in colour print and electronic version) the importance of the different colours used in the images of the method steps.

1. Used for focused component, the component with which you will do something.
2. Used as extra colors when you need to show or differentiate additional parts.
3. Used for attachments that are to be removed/installed. May be screws, clips, connectors, etc.
4. Used when the component is not fully removed from the vehicle but only hung to the side.
5. Used for standard tools and special tools.
6. Used as background color for vehicle components.

IMG-363036

3

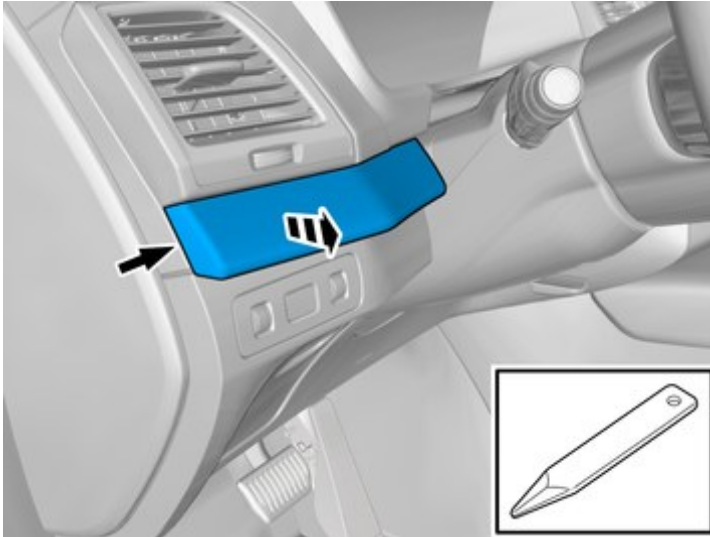


IMG-394535

Installation instructions, accessories

Volvo Car Corporation Gothenburg, Sweden

4



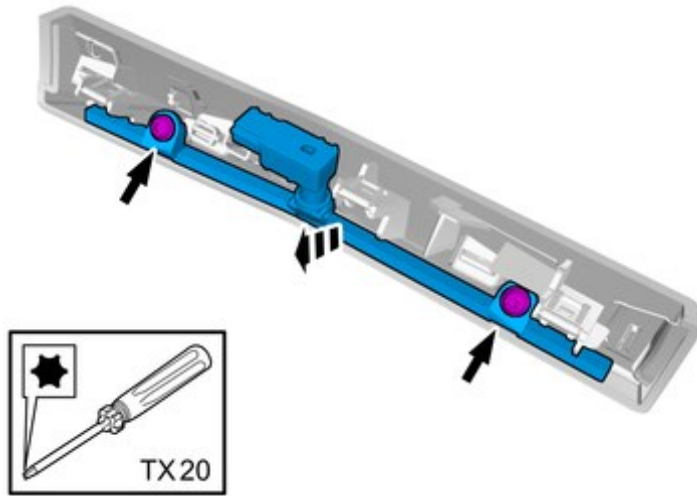
IMG-383623

Remove the panel.

Disconnect the connector, if applicable.

Vehicles with decor illumination

5



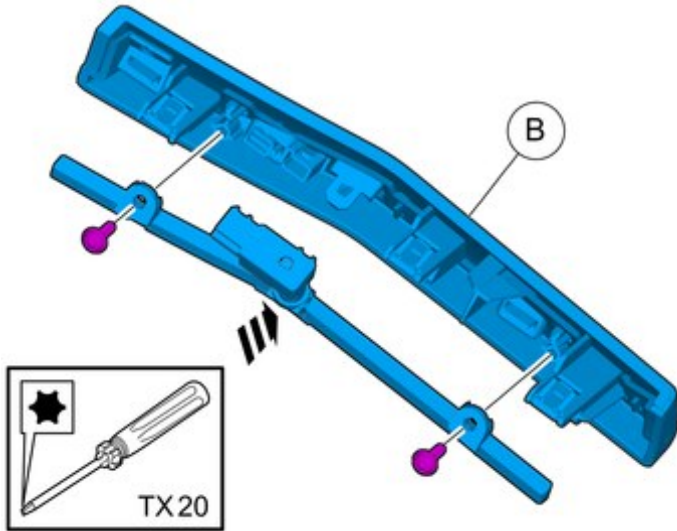
IMG-389506

Accessory installation

Installation instructions, accessories

Volvo Car Corporation Gothenburg, Sweden

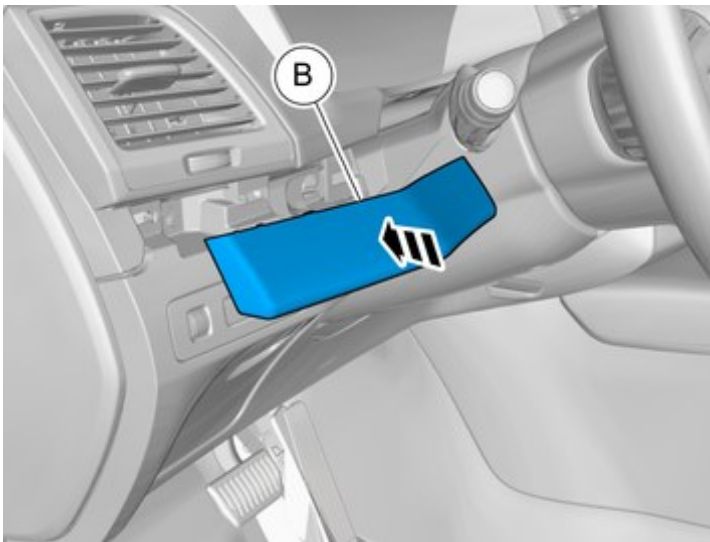
6



IMG-389513

All vehicles

7



IMG-387637

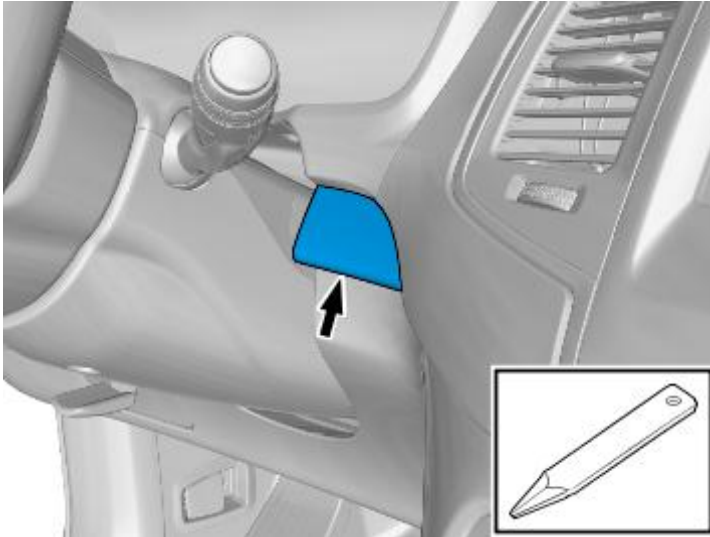
Connect the connector, if applicable.

Removal

Installation instructions, accessories

Volvo Car Corporation Gothenburg, Sweden

8

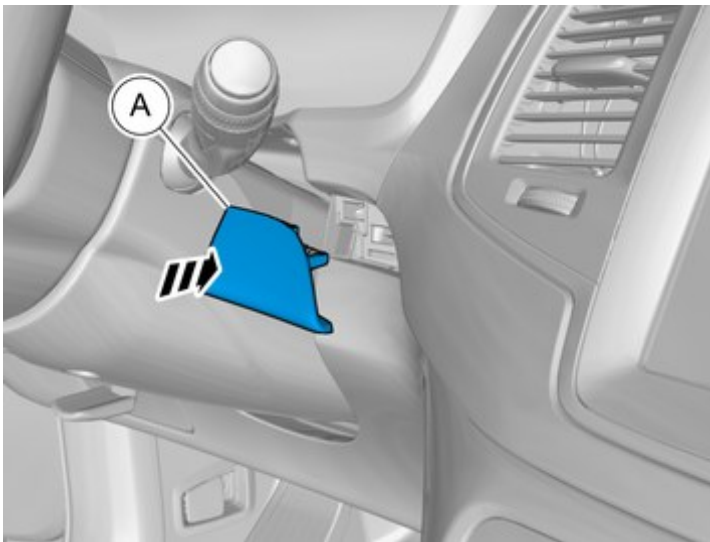


IMG-383624

Remove the panel.

Accessory installation

9



IMG-387639

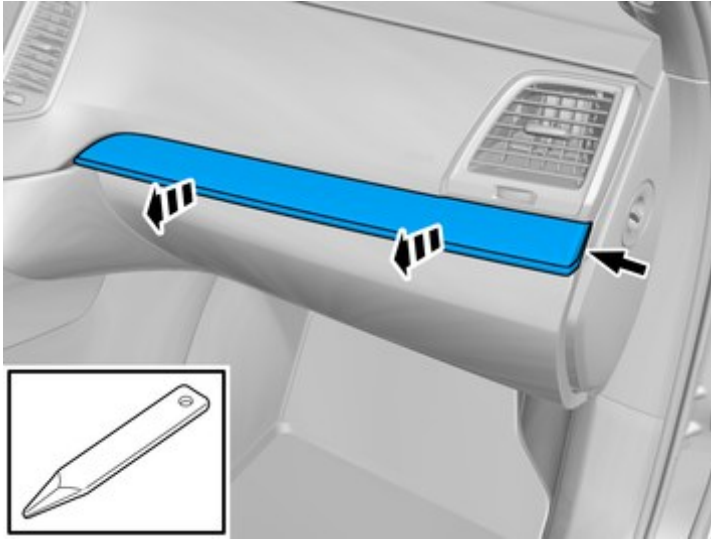
Install component that comes with the accessory kit.

Removal

Installation instructions, accessories

Volvo Car Corporation Gothenburg, Sweden

10



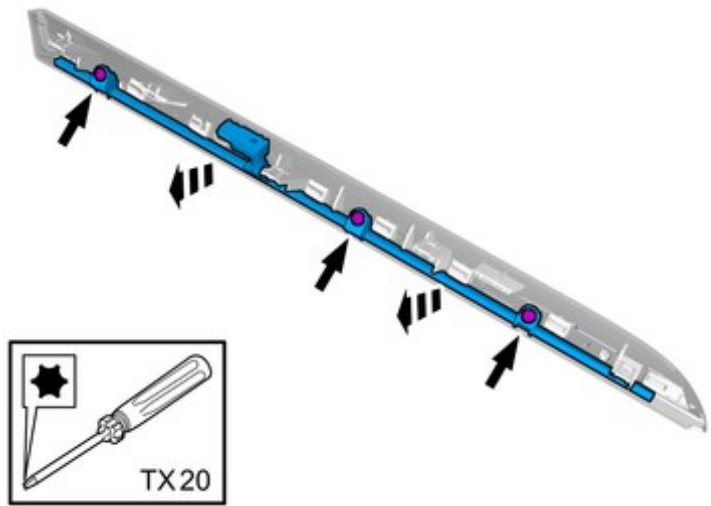
IMG-389503

Remove the panel.

Disconnect the connector, if applicable.

Vehicles with decor illumination

11



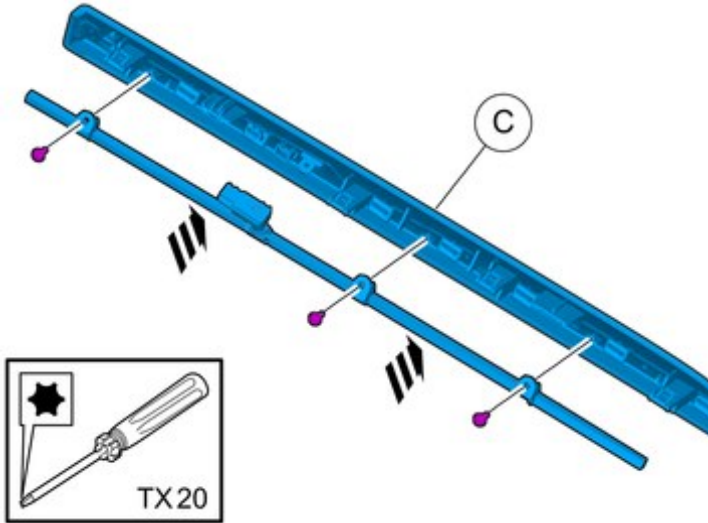
IMG-389504

Accessory installation

Installation instructions, accessories

Volvo Car Corporation Gothenburg, Sweden

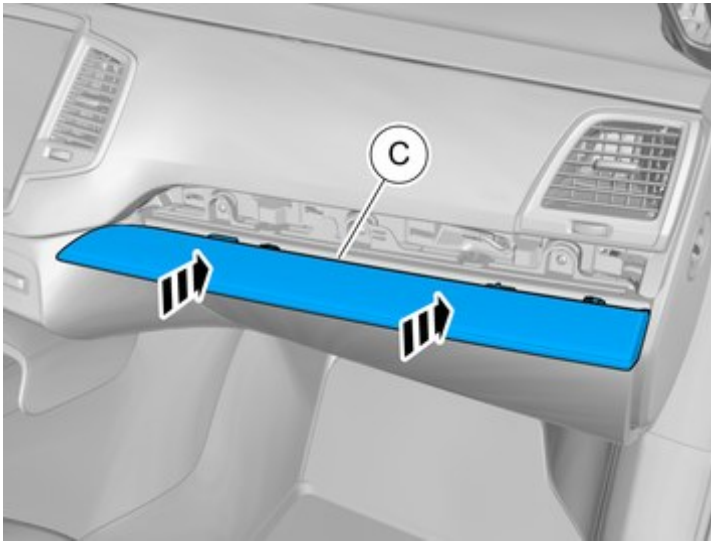
12



IMG-389505

All vehicles

13



IMG-387649

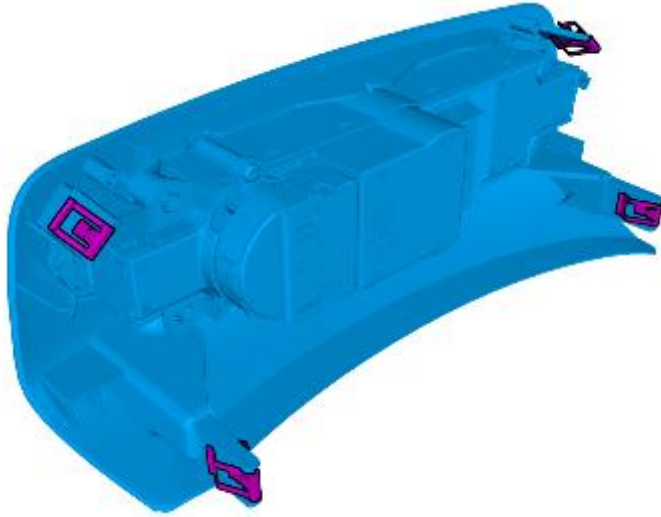
Connect the connector, if applicable.

Removal

Installation instructions, accessories

Volvo Car Corporation Gothenburg, Sweden

14

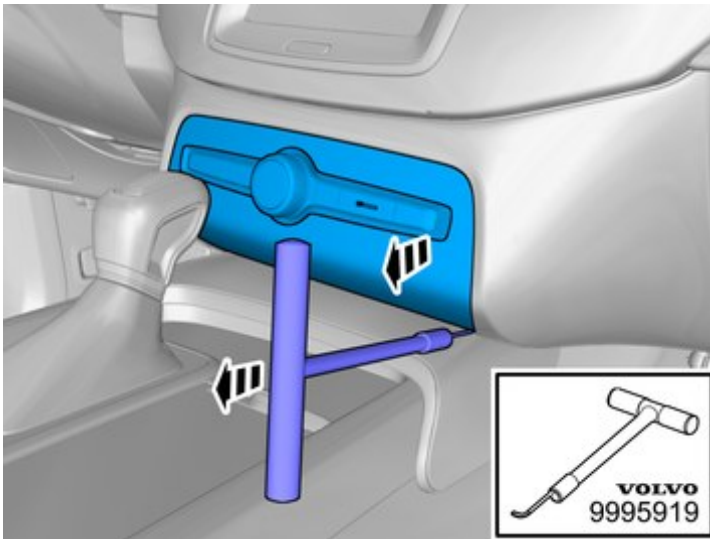


IMG-383769

Note!

The graphic shows the back of the component before removal.

15



IMG-389246

Note!

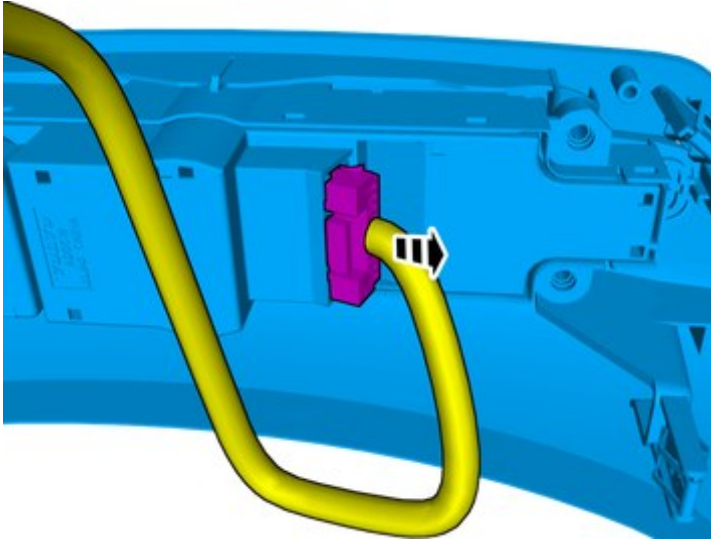
Perform the procedure one side at a time.

Use special tool: T9995919, PULLER (SEAL-PINION,CAM-CRANKSHAFT)B200-6304

Installation instructions, accessories

Volvo Car Corporation Gothenburg, Sweden

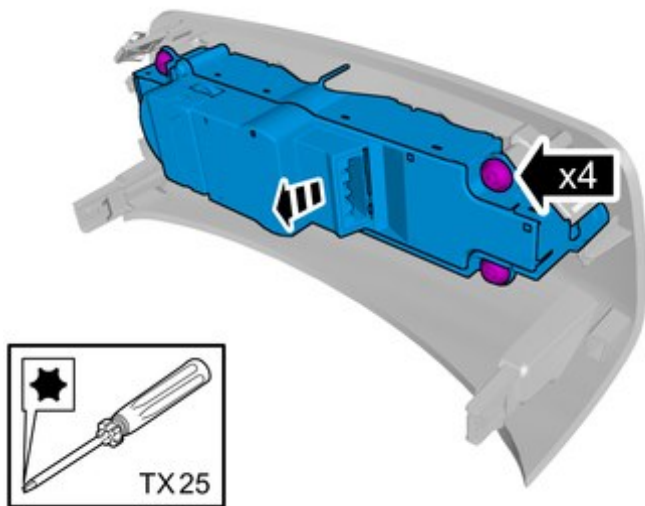
16



Disconnect the connector.

IMG-383770

17



Remove the screws.

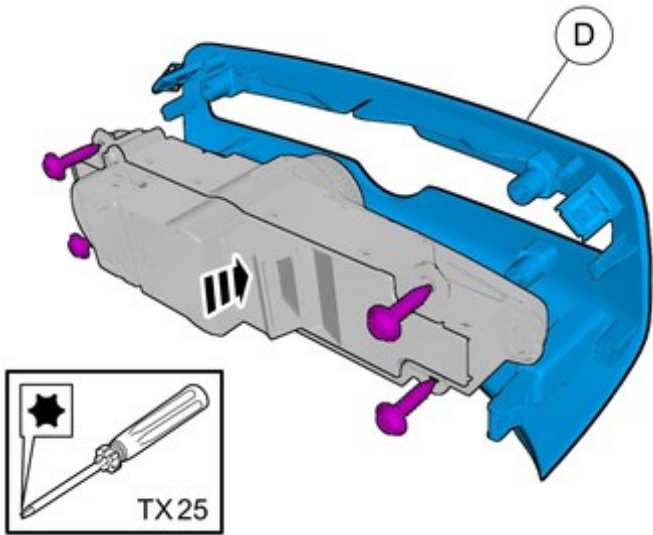
IMG-387566

Accessory installation

Installation instructions, accessories

Volvo Car Corporation Gothenburg, Sweden

18

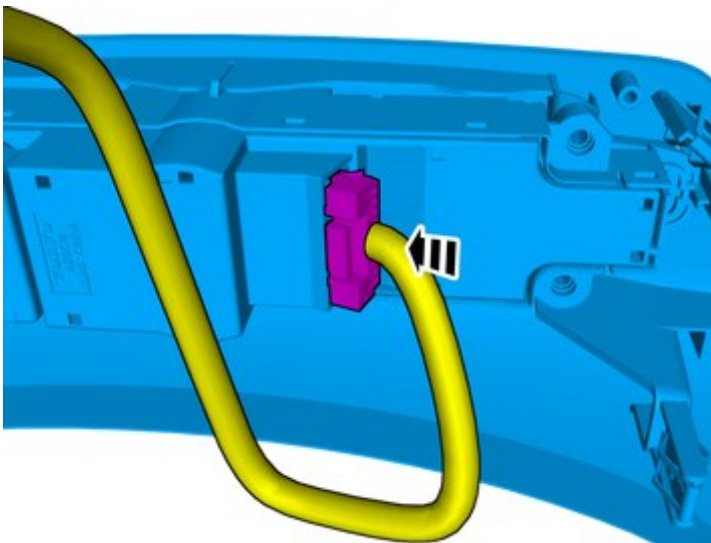


IMG-387572

Install component that comes with the accessory kit.

Reinstall the screws.

19



IMG-387573

Connect the connector.

Installation instructions, accessories

Volvo Car Corporation Gothenburg, Sweden

20



IMG-387624