



Installation instructions, accessories

Volvo Car Corporation Gothenburg, Sweden

Instruction No	Version	Part. No.
31650499	1.0	31650496

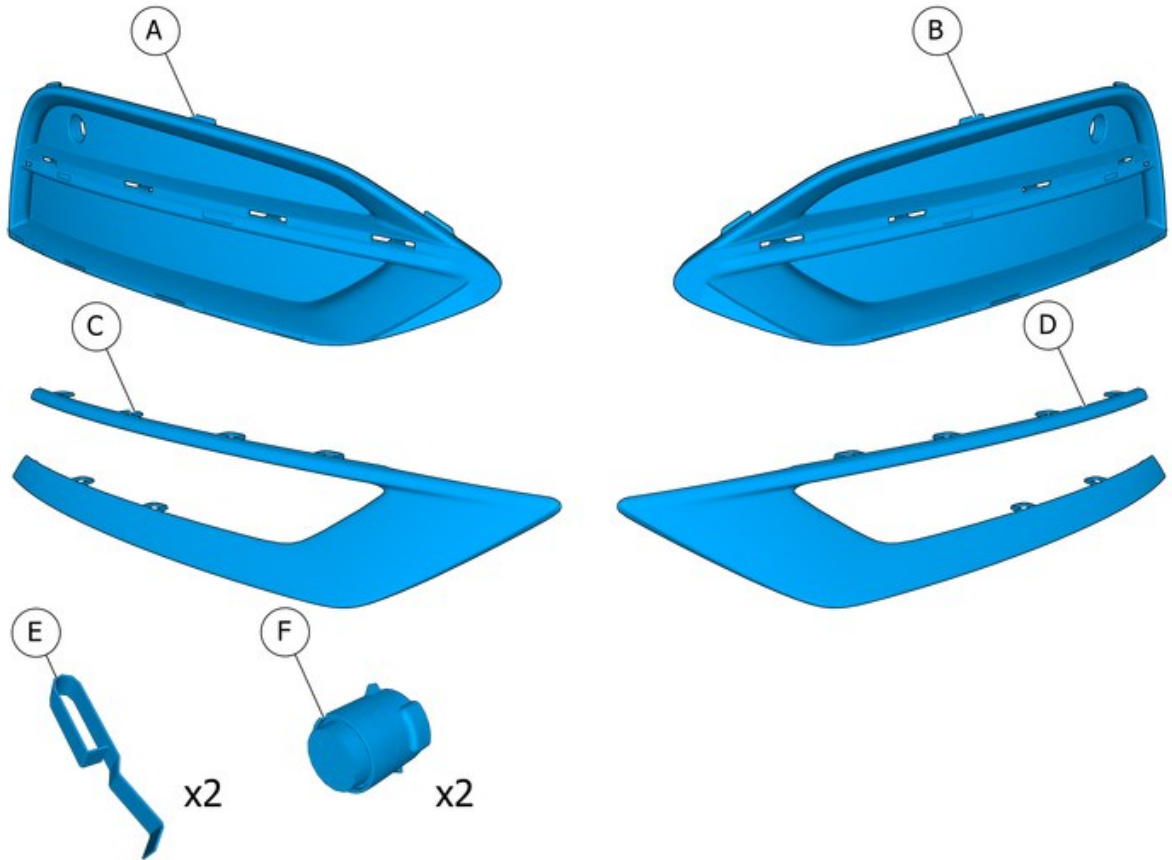
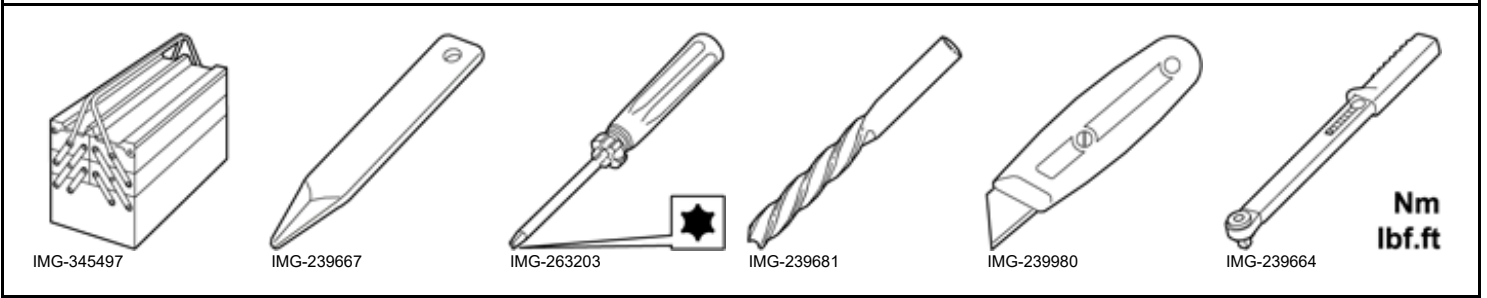
Decor frame



Installation instructions, accessories

Volvo Car Corporation Gothenburg, Sweden

Equipment



IMG-417660



Installation instructions, accessories

Volvo Car Corporation Gothenburg, Sweden

Information

1

Read through all of the instructions before starting installation.

Notifications and warning texts are for your safety and to minimise the risk of something breaking during installation.

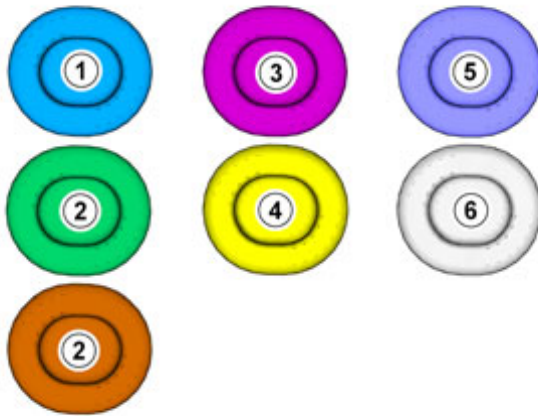
Ensure that all tools stated in the instructions are available before starting installation.

Certain steps in the instructions are only presented in the form of images. Explanatory text is also given for more complicated steps.

In the event of any problems with the instructions or the accessory, contact your local Volvo dealer.

Color symbols

2



Note!

This colour chart displays (in colour print and electronic version) the importance of the different colours used in the images of the method steps.

1. Used for focused component, the component with which you will do something.
2. Used as extra colors when you need to show or differentiate additional parts.
3. Used for attachments that are to be removed/installed. May be screws, clips, connectors, etc.
4. Used when the component is not fully removed from the vehicle but only hung to the side.
5. Used for standard tools and special tools.
6. Used as background color for vehicle components.

IMG-363036

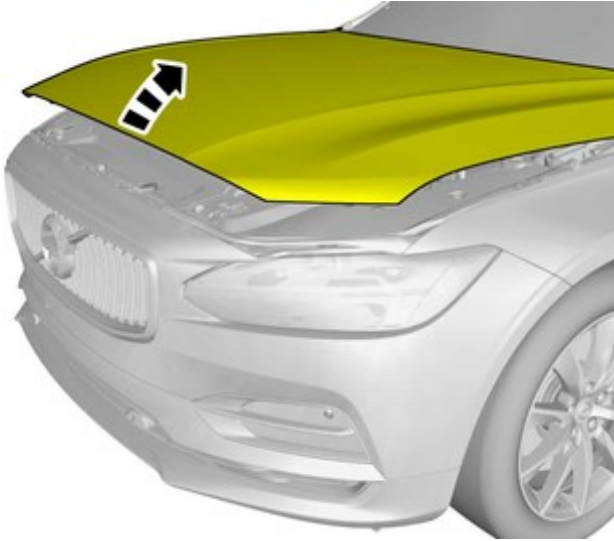
Preparation



Installation instructions, accessories

Volvo Car Corporation Gothenburg, Sweden

3



Open the hood.

IMG-417690

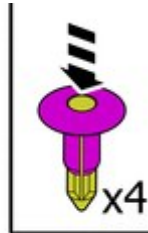
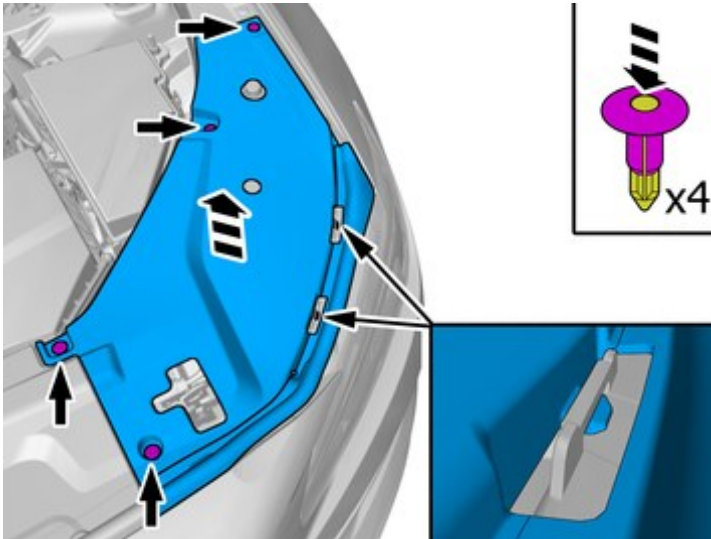
Removal

4

Note!

The removal steps may contain installation details.

5



Remove the clips.

Remove the marked part.

Repeat on the other side.

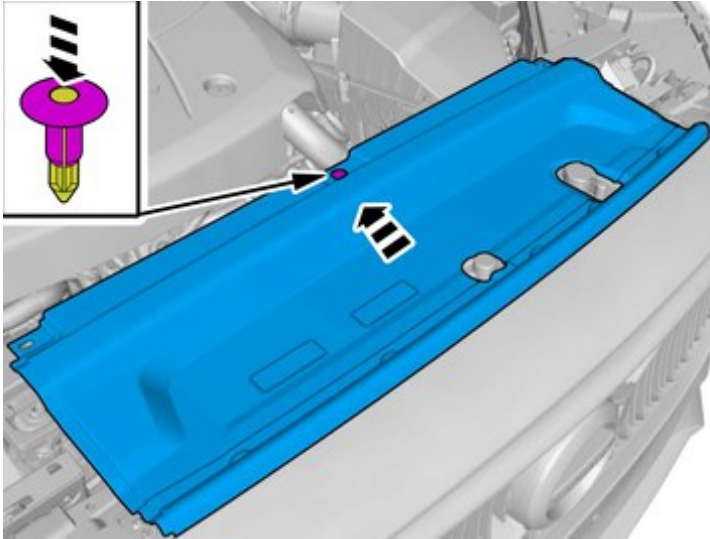
IMG-412677



Installation instructions, accessories

Volvo Car Corporation Gothenburg, Sweden

6

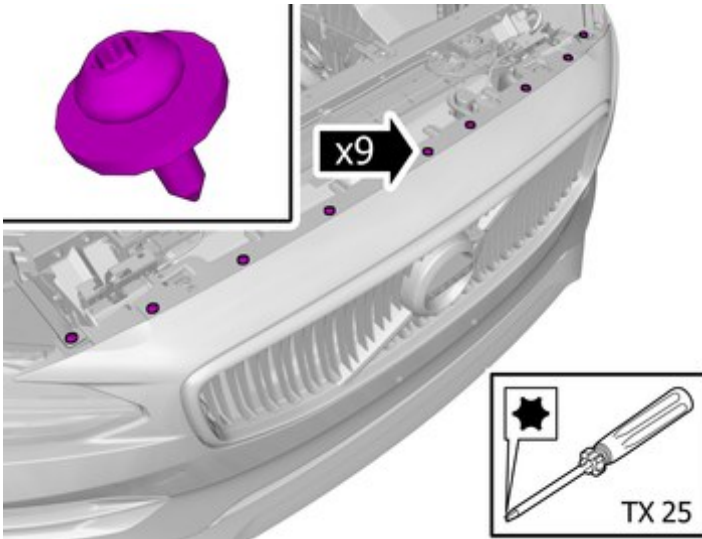


IMG-412680

Remove the clip.

Remove the marked part.

7



IMG-412681

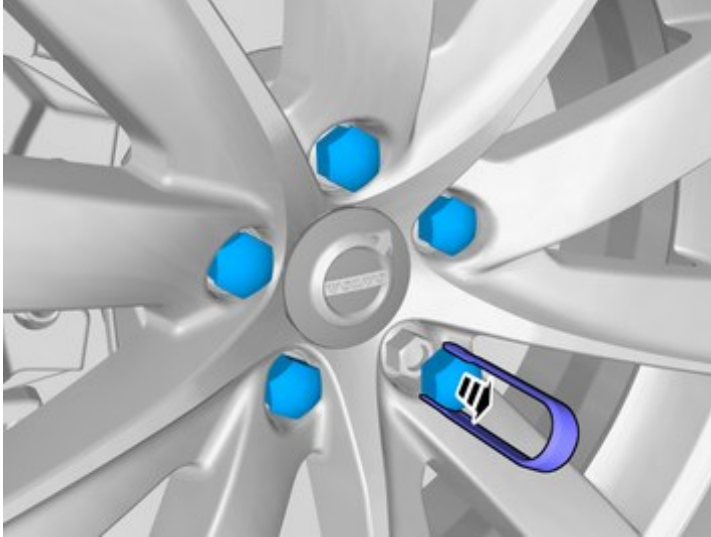
Remove the screws.



Installation instructions, accessories

Volvo Car Corporation Gothenburg, Sweden

8

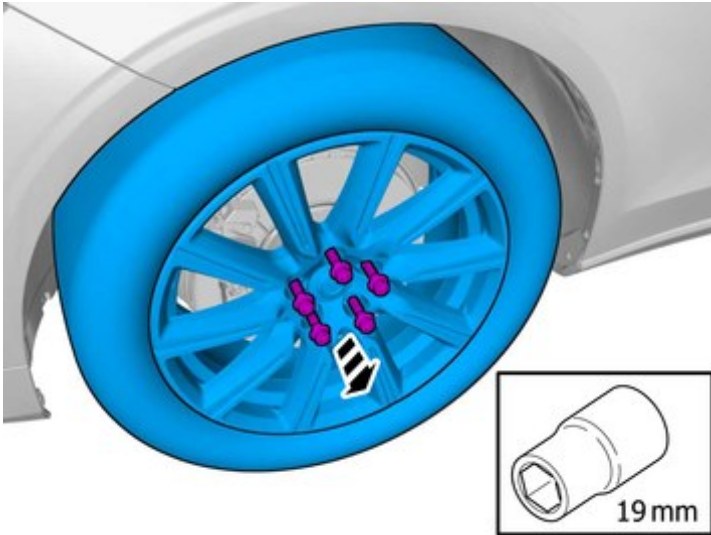


IMG-403425

Remove the marked part.

Use: Pliers

9



IMG-415975

Remove the screws.

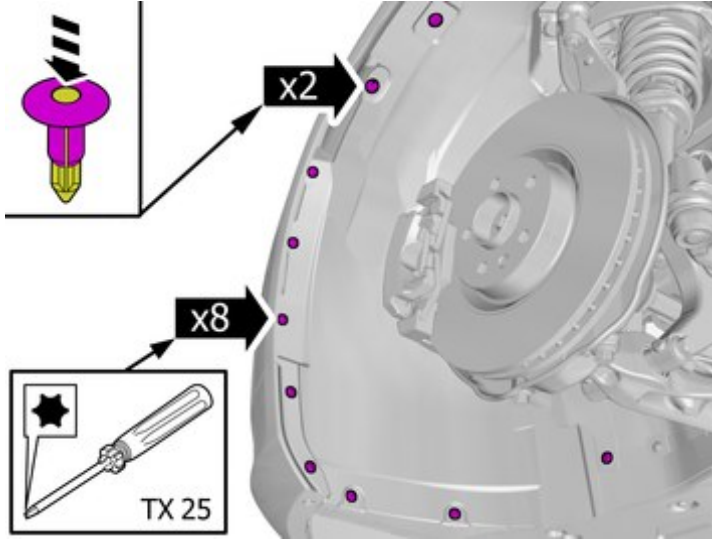
Remove the marked part.



Installation instructions, accessories

Volvo Car Corporation Gothenburg, Sweden

10

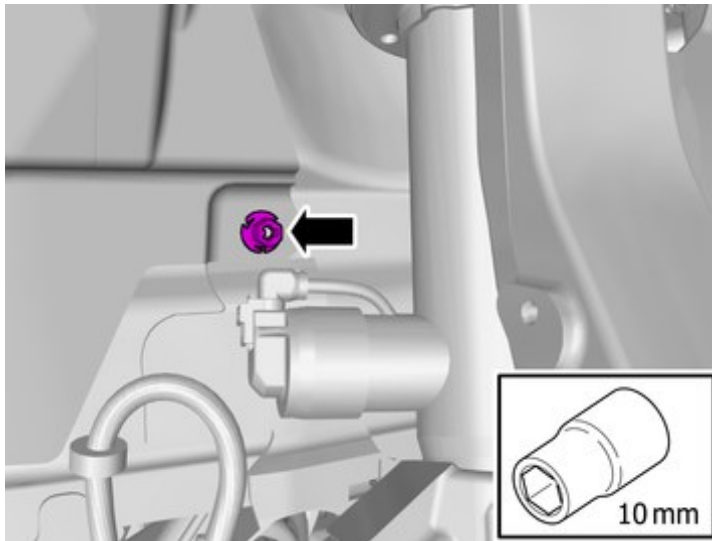


IMG-412692

Remove the clips.

Remove the screws.

11



IMG-412697

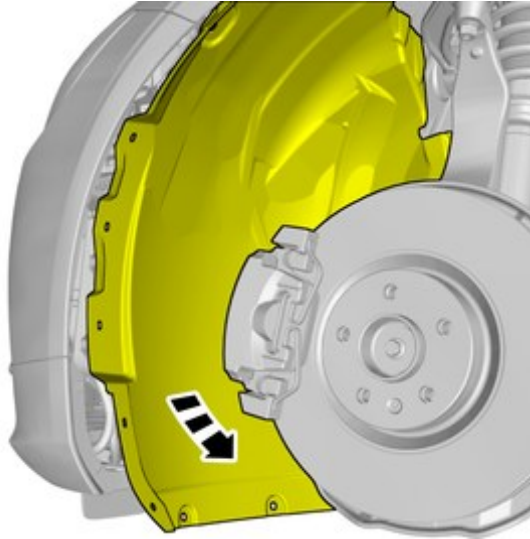
Remove the nut.



Installation instructions, accessories

Volvo Car Corporation Gothenburg, Sweden

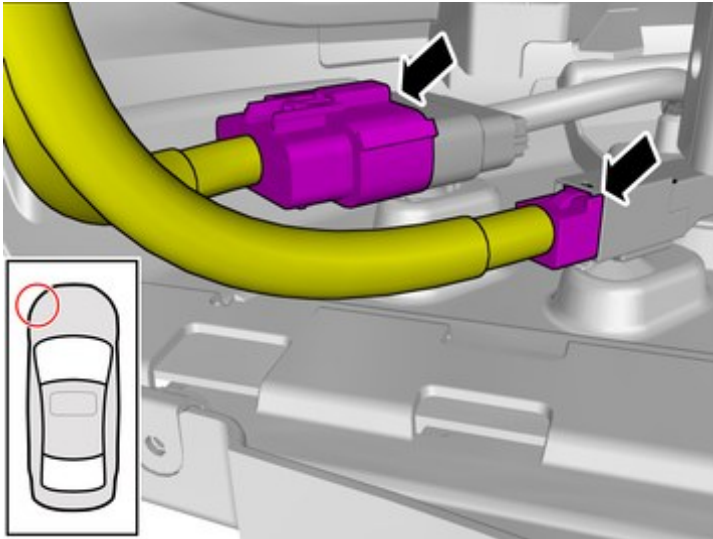
12



IMG-412710

Fold the wing liner to one side.

13



IMG-412730

Caution!

The number of connectors, cables and cable ties may vary depending on the vehicle specification.

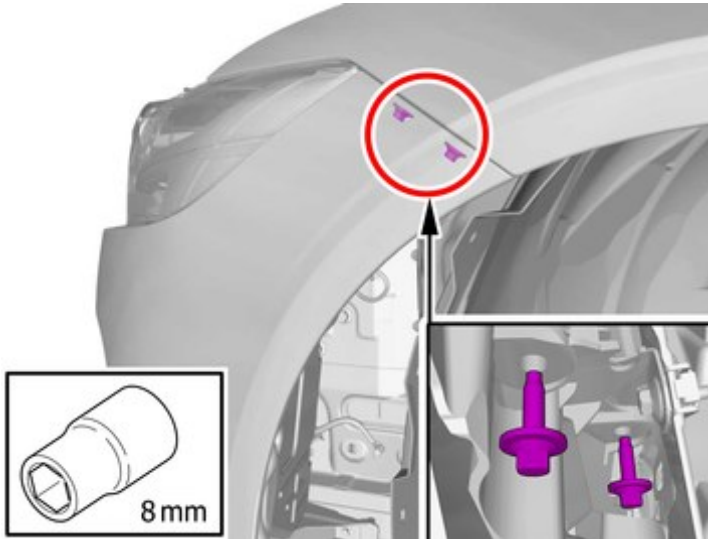
Disconnect the connectors.



Installation instructions, accessories

Volvo Car Corporation Gothenburg, Sweden

14



IMG-412715

Remove the screws.

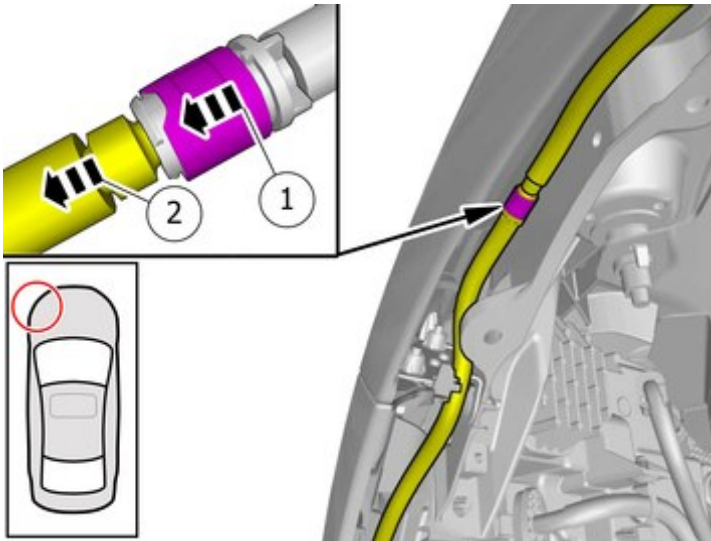
Tightening torque: Bracket to front fender , 6 Nm

15

Repeat the steps when removing on opposite side.

Vehicles with headlamp washers

16



IMG-412745

Release the lock.

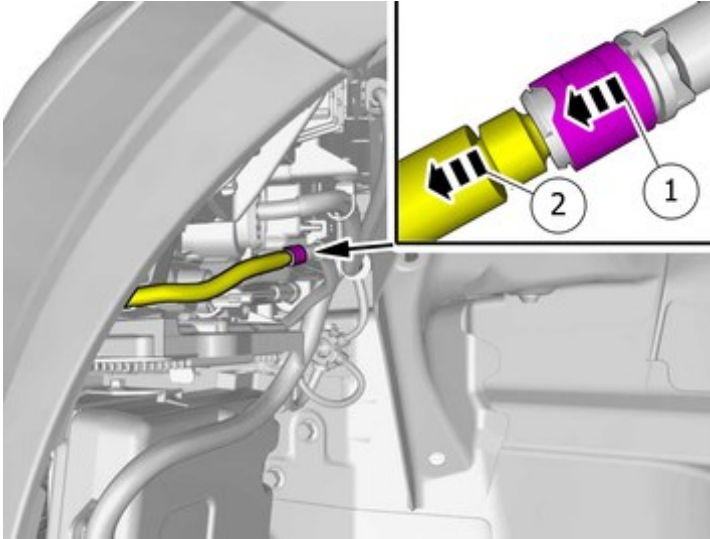
Undo the hose from the connection.



Installation instructions, accessories

Volvo Car Corporation Gothenburg, Sweden

17



IMG-412750

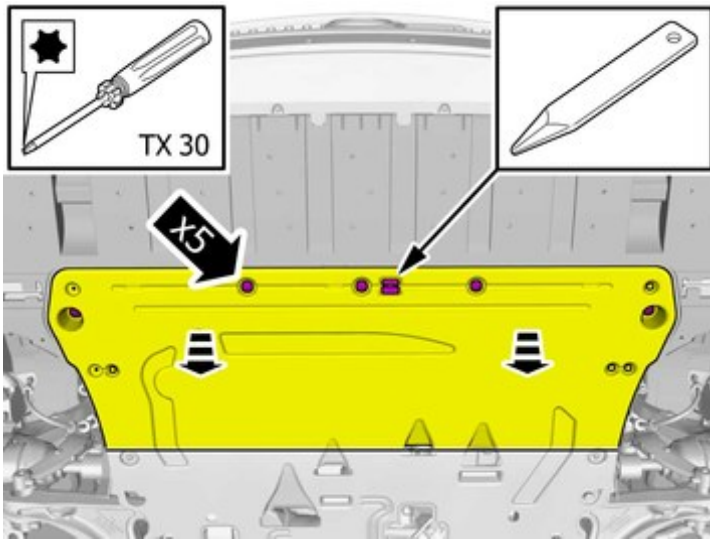
Release the lock.

Undo the hose from the connection.

Repeat on the other side.

All vehicles

18



IMG-412779

Remove the screws.

Remove the clip.

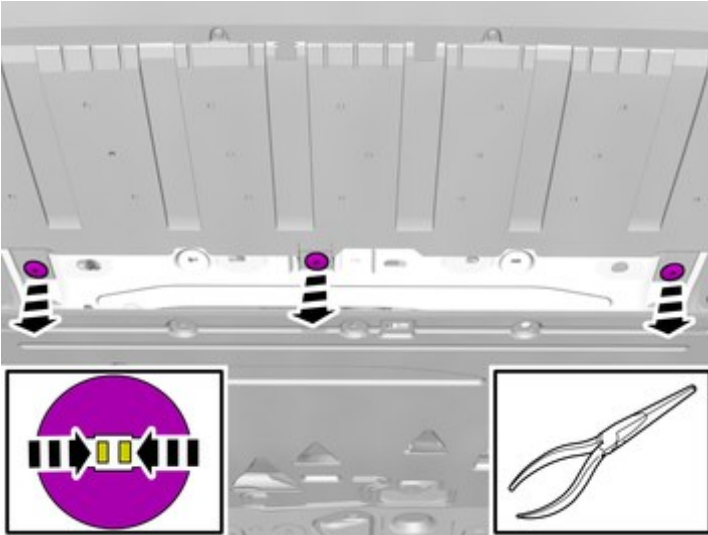
Fold marked part to one side.



Installation instructions, accessories

Volvo Car Corporation Gothenburg, Sweden

19

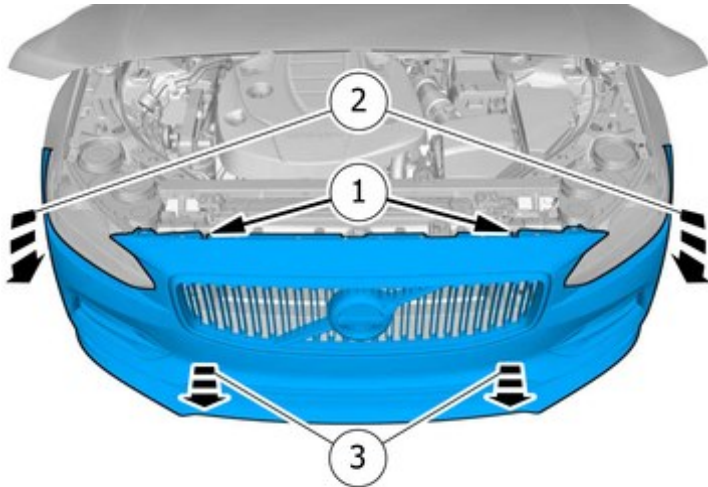


IMG-412725

Remove the clips.

Use: Pliers

20



IMG-412771

Caution!

Place the component on a suitable underlay or support.

Note!

This step requires the aid of another technician.

Release the catches.

Remove the part carefully

Remove the marked part.

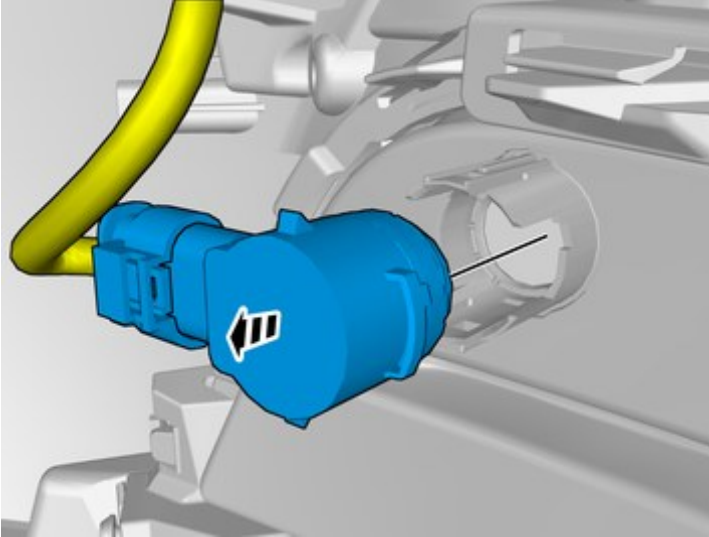
Vehicles with parking assistance



Installation instructions, accessories

Volvo Car Corporation Gothenburg, Sweden

21

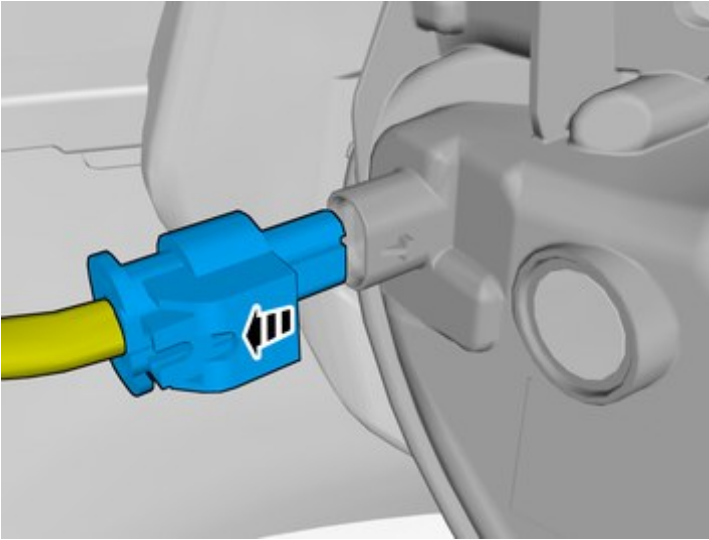


IMG-413132

Remove the part carefully
Fold marked part to one side.

Vehicles with Front Fog Lamps

22



IMG-413133

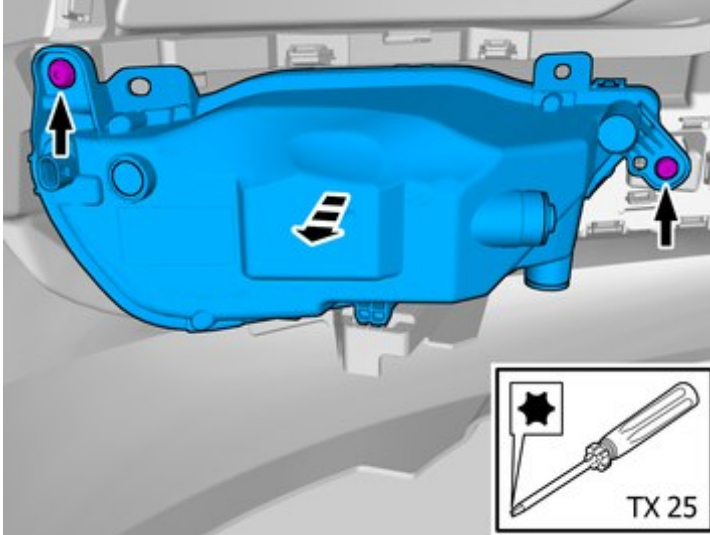
Disconnect the connector for the fog lamp.



Installation instructions, accessories

Volvo Car Corporation Gothenburg, Sweden

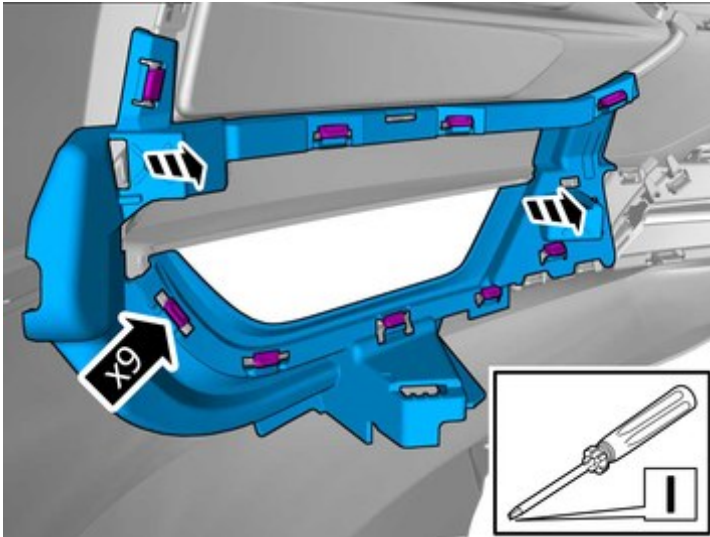
23



IMG-413051

Remove the screws.
Remove the marked part.

24



IMG-413060

Release the catches.
Remove the marked part.

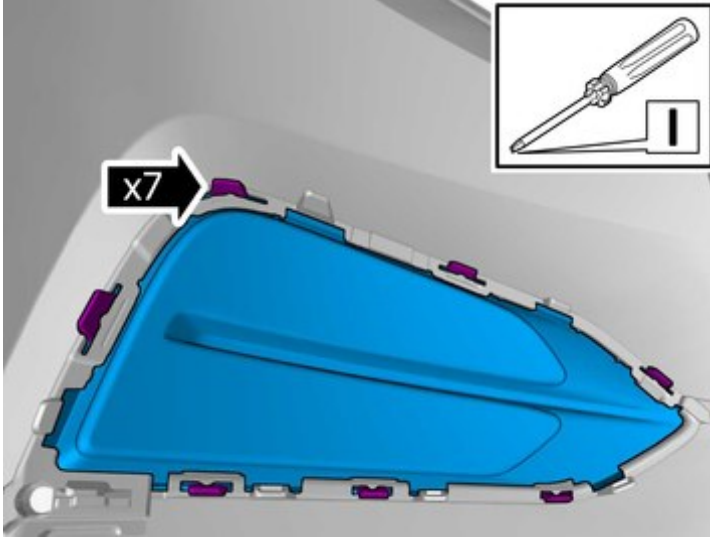
All vehicles



Installation instructions, accessories

Volvo Car Corporation Gothenburg, Sweden

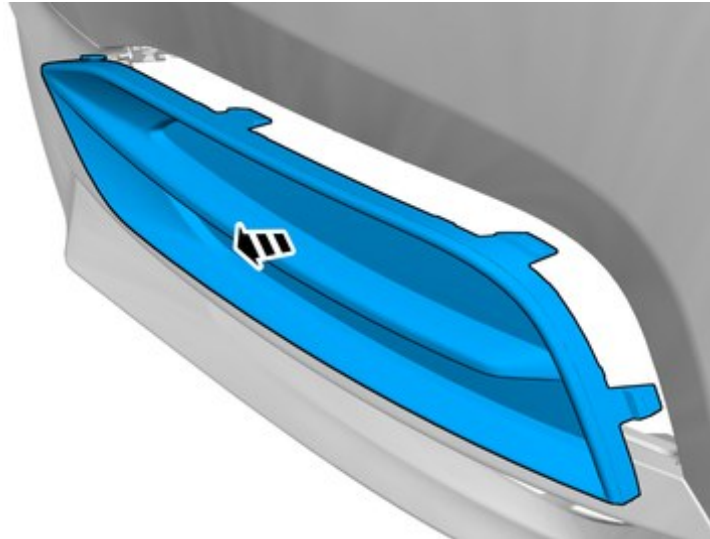
25



IMG-413105

Release the catches.

26



IMG-413113

Remove the marked part.
The part is not to be reused.

27

Repeat the steps when removing on opposite side.

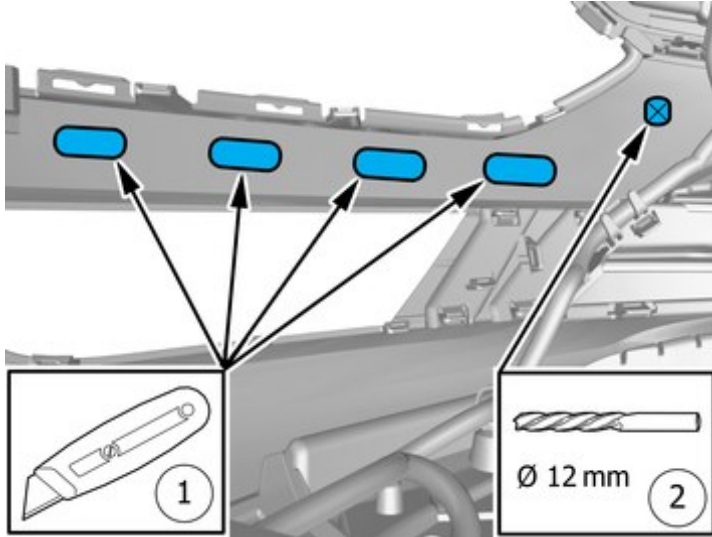
Accessory installation



Installation instructions, accessories

Volvo Car Corporation Gothenburg, Sweden

28



IMG-417802

Caution!

Cut carefully to avoid unintentional damage or personal injury.

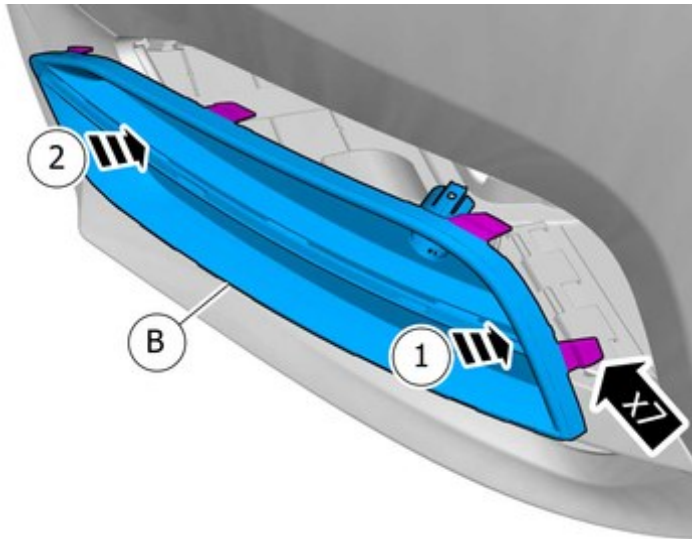
Note!

Use a sharp knife.

Locate relevant marking.

1. Cut the component following the instructions in the graphic.
2. Use a drill with the stated size

29



IMG-417880

Install component that comes with the accessory kit.

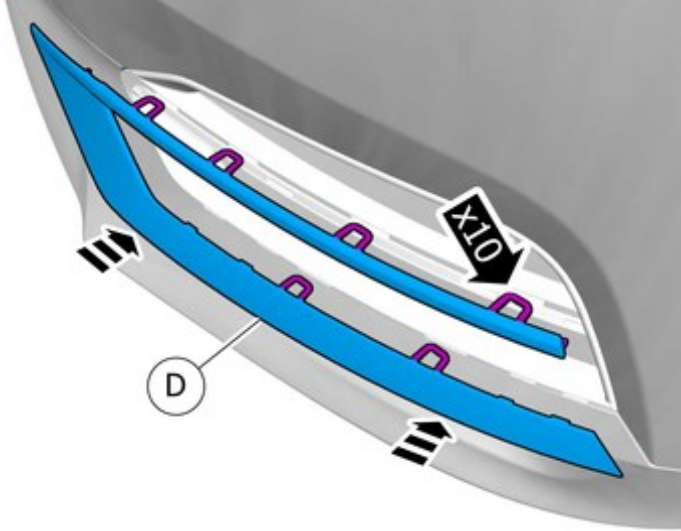
Ensure that all clips engage.



Installation instructions, accessories

Volvo Car Corporation Gothenburg, Sweden

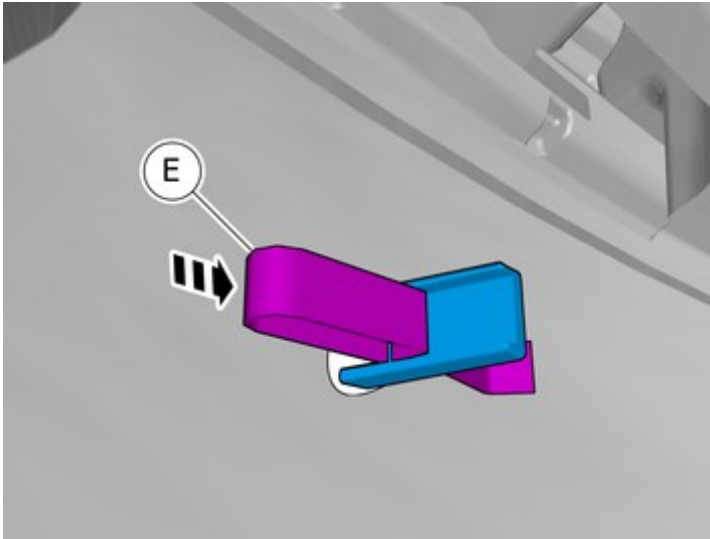
30



Install component that comes with the accessory kit.
Ensure that all clips engage.

IMG-417883

31



Install component that comes with the accessory kit.

IMG-417891

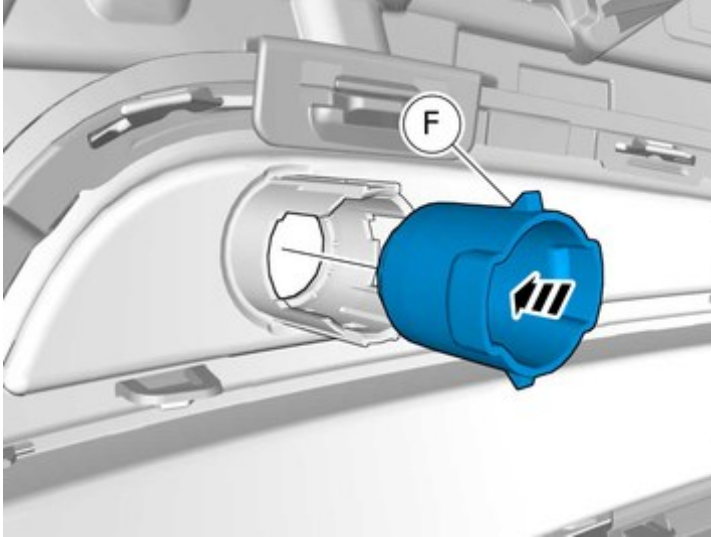
Vehicles without parking assistance



Installation instructions, accessories

Volvo Car Corporation Gothenburg, Sweden

32



IMG-417904

Install component that comes with the accessory kit.

33

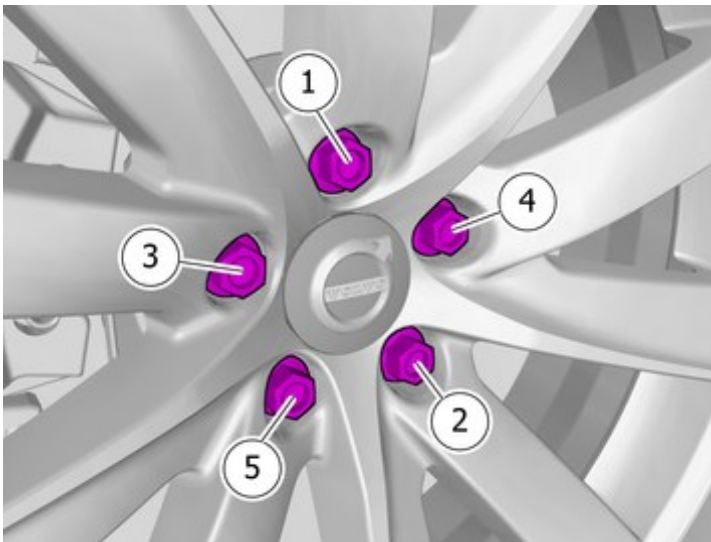
Repeat the steps when installing accessories on opposite side.

Installation

34

Reinstall the removed parts in reverse order.

35



IMG-405228

Note!

Make sure to follow the sequence indicated.

Reinstall the removed part.

Tightening torque: Aluminum wheel rim to wheel hub

Stage 1: 4 Nm

Stage 2: 50 Nm

Stage 3: 140 Nm

On both sides.