

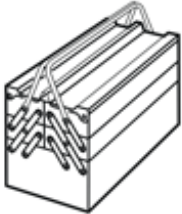
Installation instructions, accessories

Volvo Car Corporation Gothenburg, Sweden

Instruction No	Version	Part. No.
30783418	1.1	31269270, 31269269, 31269268, 31269267, 30759139, 30759136, 30759133, 30759130, 30759052, 30759051, 30759050, 30759049, 30759292, 30759295, 30759294, 30759293

Gear shift knob, leather

Equipment



A0000162

Any comments on this publication? Please contact your nearest retailer. Thank You!

Publ.no:

Issue:

Kit no:

Comments:.....

From:

Address:

Telephone:

Telefax:

IMG-213320

Installation instructions, accessories

Volvo Car Corporation Gothenburg, Sweden

INTRODUCTION

Read through all of the instructions before starting installation.

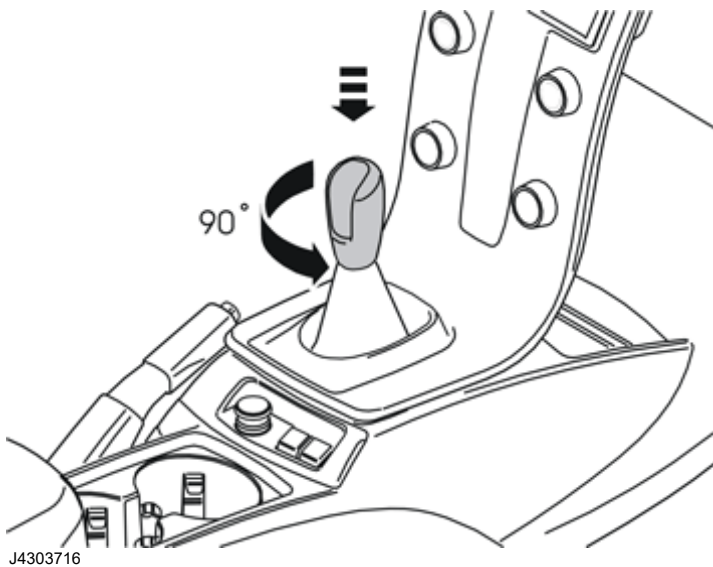
Notifications and warning texts are for your safety and to minimise the risk of something breaking during installation.

Ensure that all tools stated in the instructions are available before starting installation.

Certain steps in the instructions are only presented in the form of images. Explanatory text is also given for more complicated steps.

In the event of any problems with the instructions or the accessory, contact your local Volvo dealer.

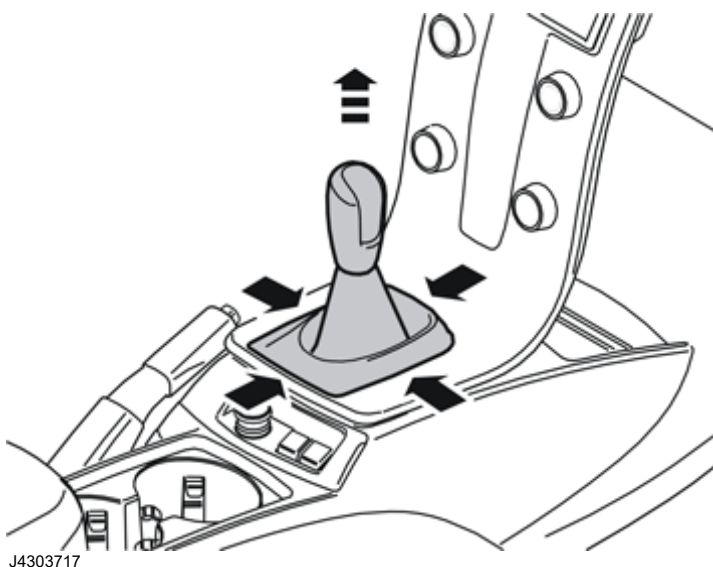
1



Applies to manual gearboxes

Detach the gear selector lever knob by first pressing it down to the stop, and then turning it anticlockwise 90°.

2



Remove the gear selector lever knob with gaiter by prizing loose the gaiter from the centre console at the catches where indicated by the arrows, and then pull the whole unit up.

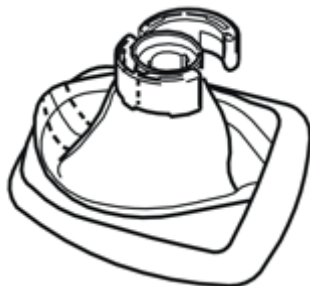
Installation instructions, accessories

Volvo Car Corporation Gothenburg, Sweden

3

Turn the gear selector lever gaiter inside out.

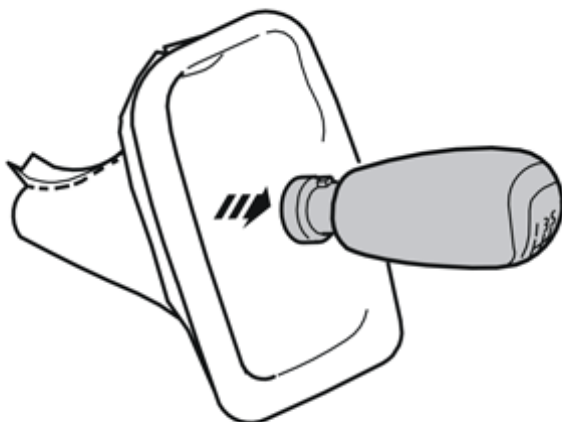
Detach the clamp.



J4303939

4

Pull the gear selector lever knob away from the gaiter.

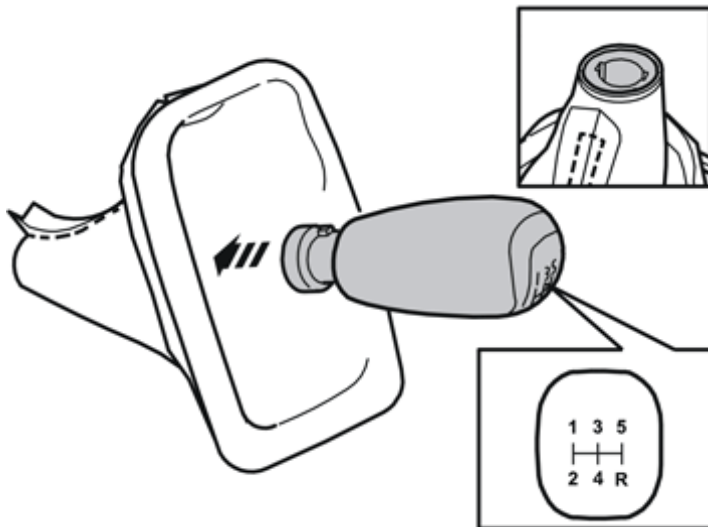


J4303938

Installation instructions, accessories

Volvo Car Corporation Gothenburg, Sweden

5



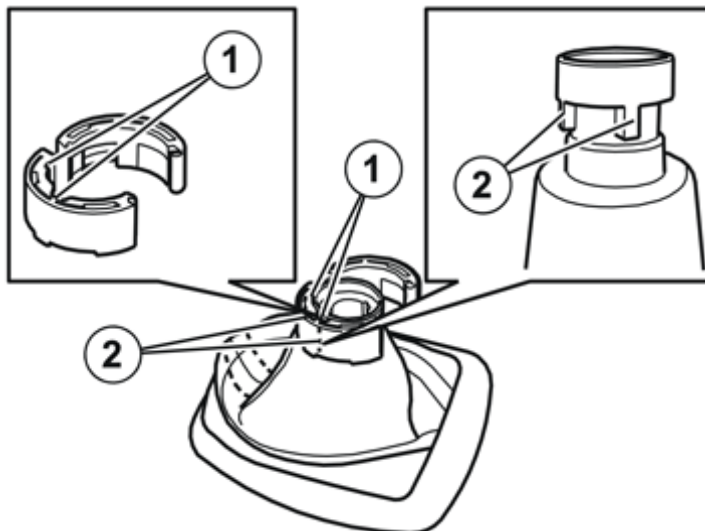
J4303892

Guide the gear selector lever knob inside the out-turned gear selector lever gaiter. The text on the gear selector lever knob must point from the seam in the gaiter.

Thread the gaiter onto the lower section of the knob maintaining the position of the gaiter and knob.

The lower section of the knob must be edge to edge with the small opening of the gaiter (see inset illustration).

6



J4303722

Note!

The end of the clamp equipped with cut-outs must be turned towards the lower edge of the gear selector lever knob. The two vertical cut-outs (1) in the clamp must fit into the corresponding ridges (2) in the lower section of the knob.

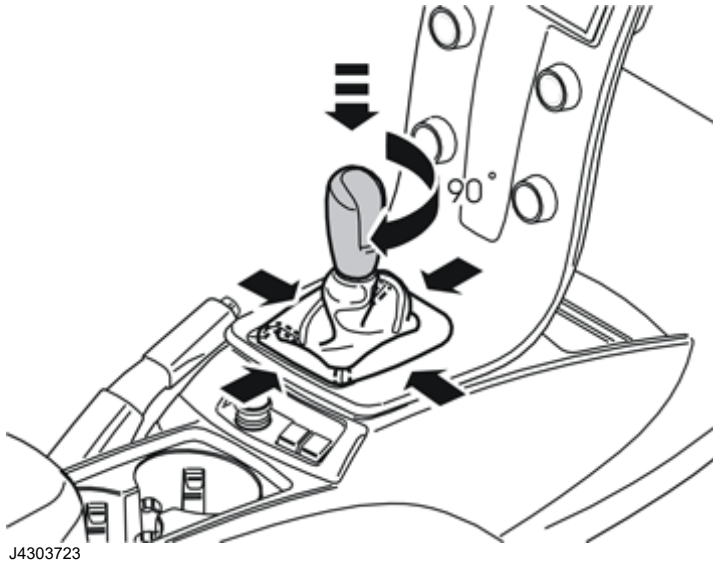
Take the clamp and guide it onto the lower section of the gear selector lever knob, press it against the lower section of the knob and snap it closed.

Check that the gaiter is firmly attached and that the clamp has snapped shut properly.

Installation instructions, accessories

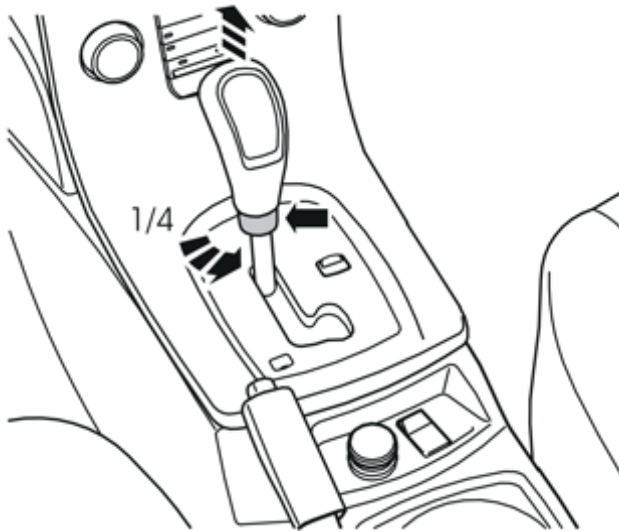
Volvo Car Corporation Gothenburg, Sweden

7



- Turn the inside of the gear selector lever gaiter back in.
- Press the gear selector lever knob onto the gear selector lever and check that it is firmly attached.
- Fit the gaiter in the centre console starting with the rear end.

8



Applies to automatic gearboxes

- Turn the circlip on the underside of the gear selector lever knob. Turn the circlip a quarter turn anticlockwise to stop.
- Pull the gear selector lever knob straight up.
- Position the new gear selector lever knob in the same position as the old one was removed from.
- Press the gear selector lever knob down. Turn the circlip a 1/4 of a turn clockwise to stop.
- Check that the gear selector lever knob is secured correctly.