



Installation instructions, accessories

Volvo Car Corporation Gothenburg, Sweden

Instruction No	Version	Part. No.
31278057	1.1	31278046, 31278045, 31278056, 31278055, 31278054

Mirrors, foldable

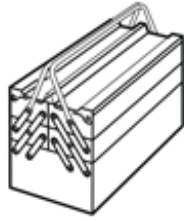


Installation instructions, accessories

Volvo Car Corporation Gothenburg, Sweden

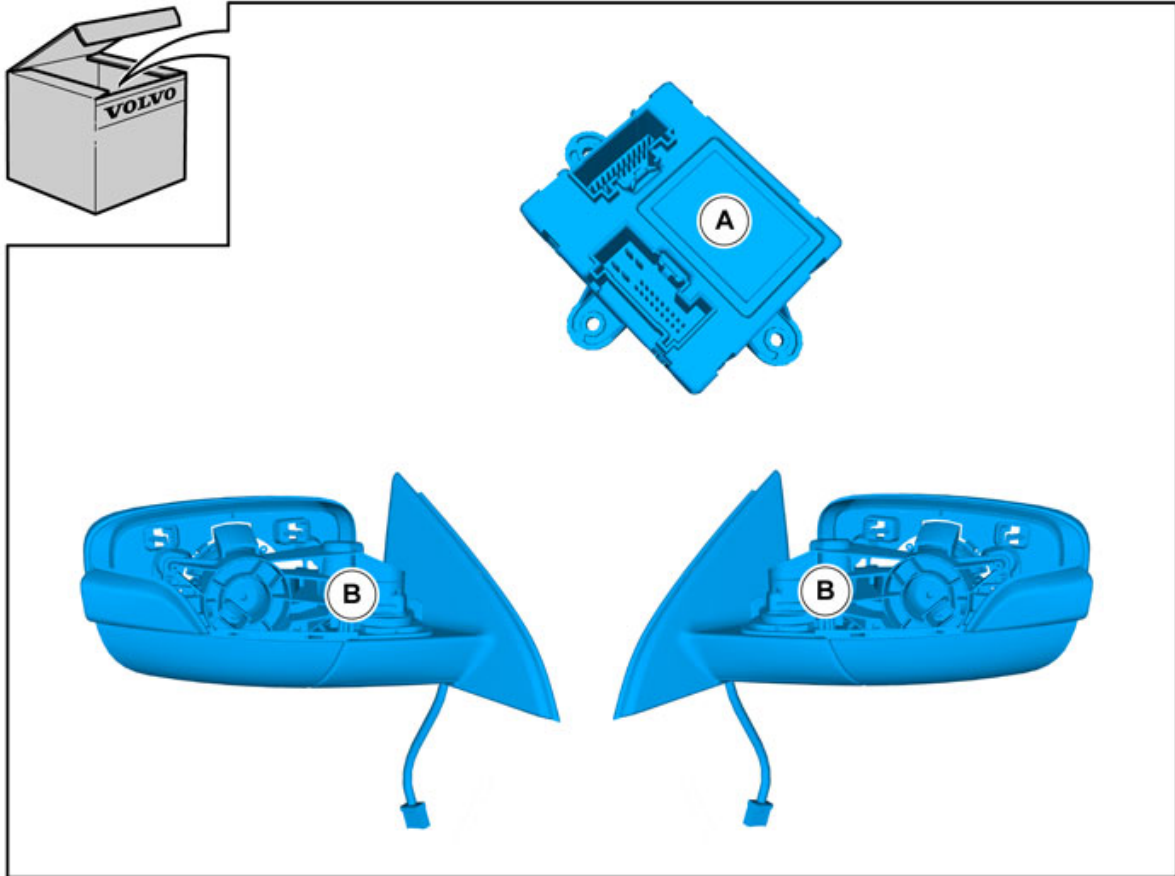
Equipment

VIDA



IMG-275777

A0000162



IMG-291645



Installation instructions, accessories

Volvo Car Corporation Gothenburg, Sweden

Any comments on this publication? Please contact your nearest retailer. Thank You!

Publ.no:	Issue:	Kit no:
Comments:.....		
.....		
.....		
.....		

From:	
Address:	
Telephone:	
Telefax:	

IMG-213320



Installation instructions, accessories

Volvo Car Corporation Gothenburg, Sweden

INTRODUCTION

Read through all of the instructions before starting installation.

Notifications and warning texts are for your safety and to minimise the risk of something breaking during installation.

Ensure that all tools stated in the instructions are available before starting installation.

Certain steps in the instructions are only presented in the form of images. Explanatory text is also given for more complicated steps.

In the event of any problems with the instructions or the accessory, contact your local Volvo dealer.

1

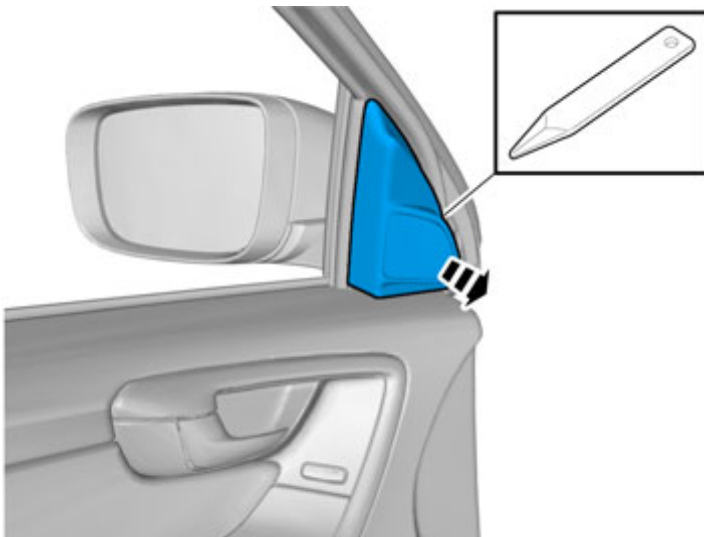


Caution!

Wait at least three minutes before disassembling the connector or removing other electrical equipment.

IMG-245980

2



Remove the panel. Disconnect any connectors.

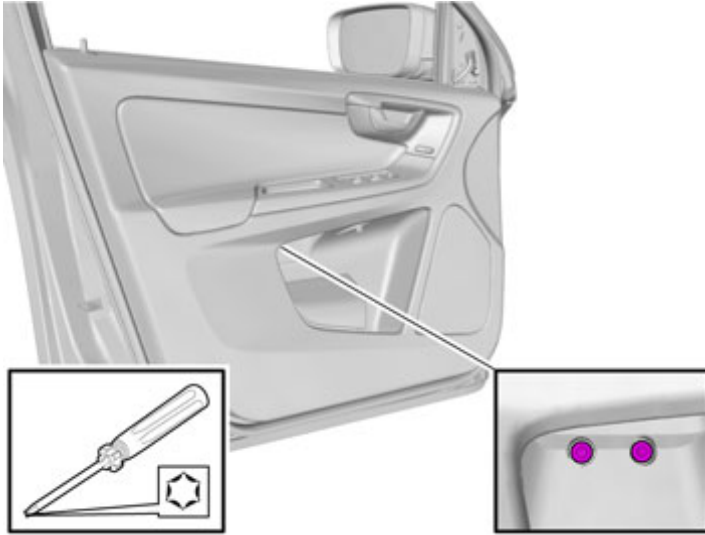
IMG-291683



Installation instructions, accessories

Volvo Car Corporation Gothenburg, Sweden

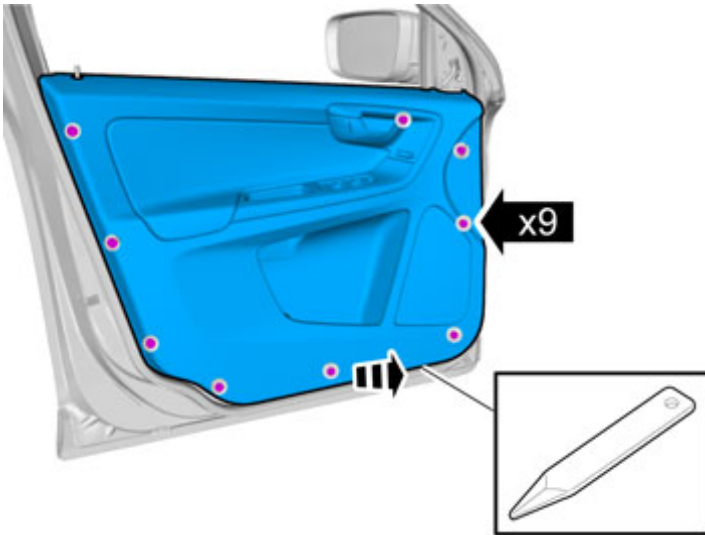
3



IMG-291685

Remove the two screws.

4



IMG-291686

Detach the door panel.

Note!

The clips consist of two parts.



Installation instructions, accessories

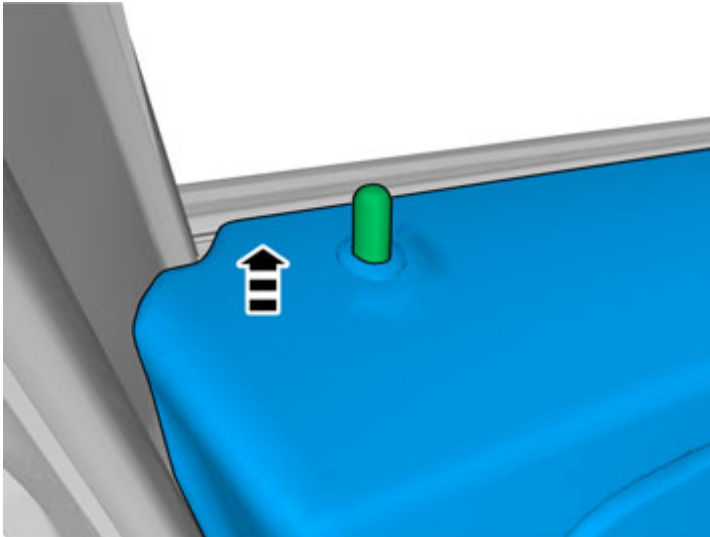
Volvo Car Corporation Gothenburg, Sweden

5



IMG-293283

6



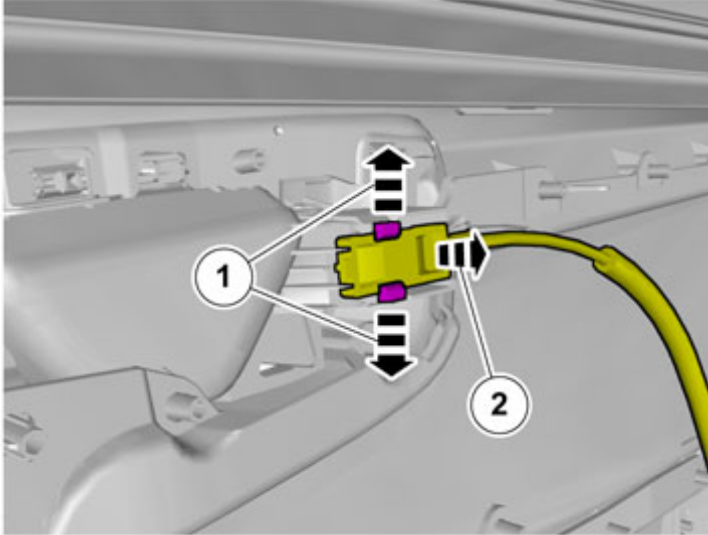
IMG-293284



Installation instructions, accessories

Volvo Car Corporation Gothenburg, Sweden

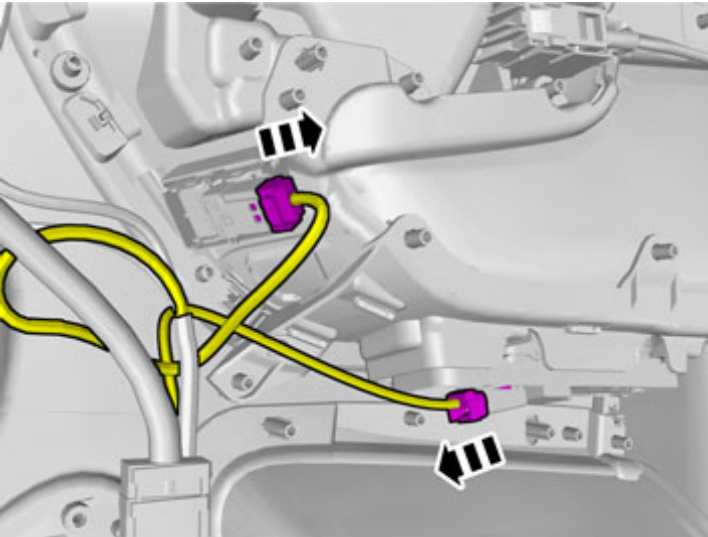
7



IMG-291687

Detach the door opener's wire.

8



IMG-291703

Disconnect the connectors and also any connectors for loudspeakers.

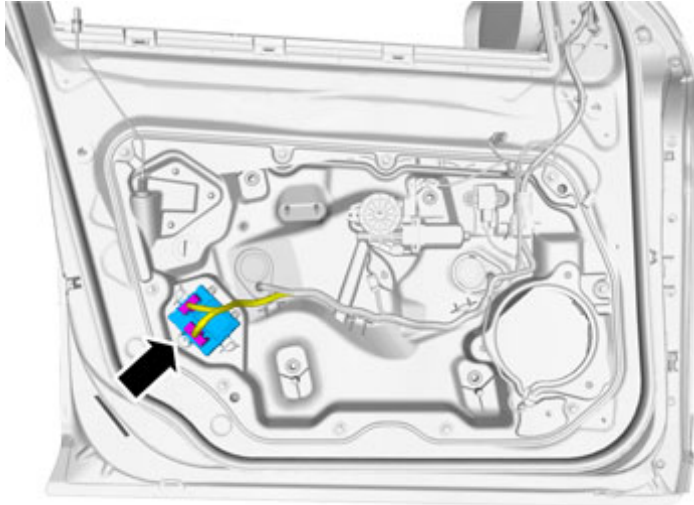
Place the door panel to one side.



Installation instructions, accessories

Volvo Car Corporation Gothenburg, Sweden

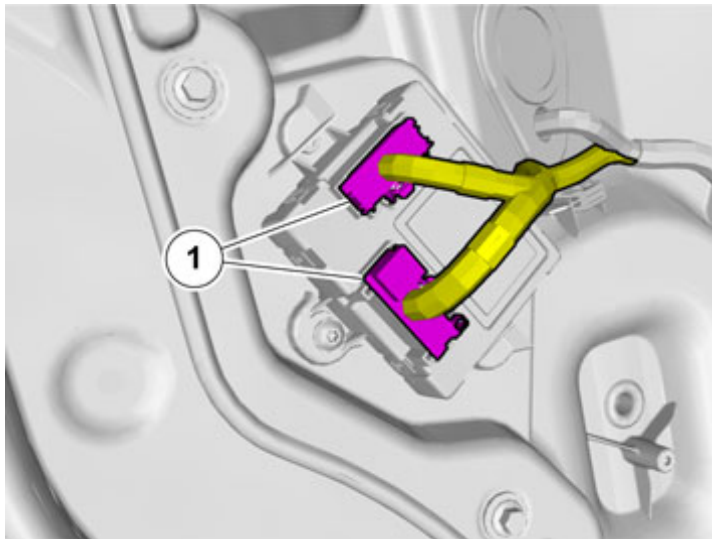
9



Replacement of the control module only applies to driver's door.

IMG-293285

10



Unplug the connectors (1).

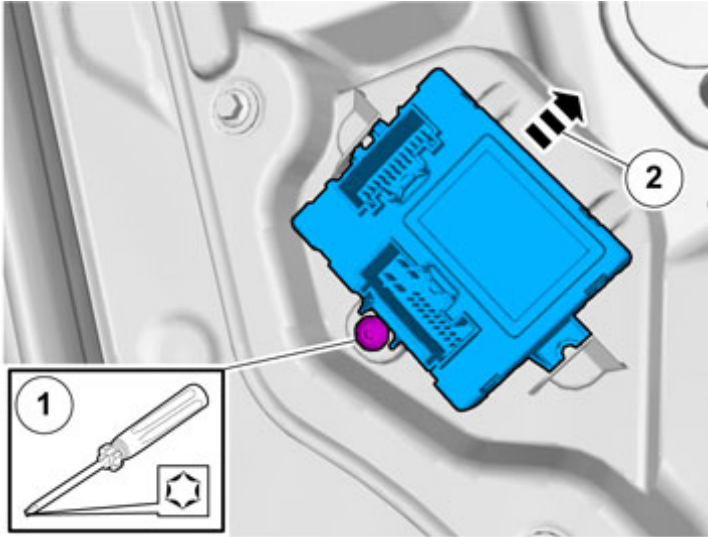
IMG-291705



Installation instructions, accessories

Volvo Car Corporation Gothenburg, Sweden

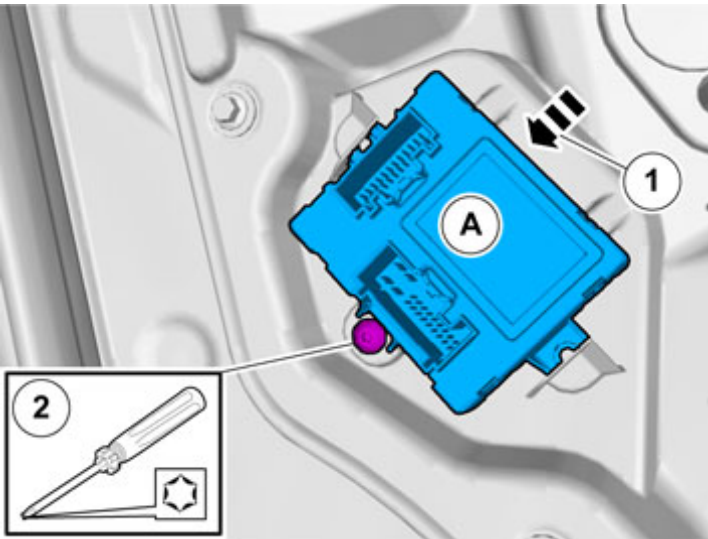
11



IMG-291723

Remove the control module. This will not be reused.

12



IMG-293286

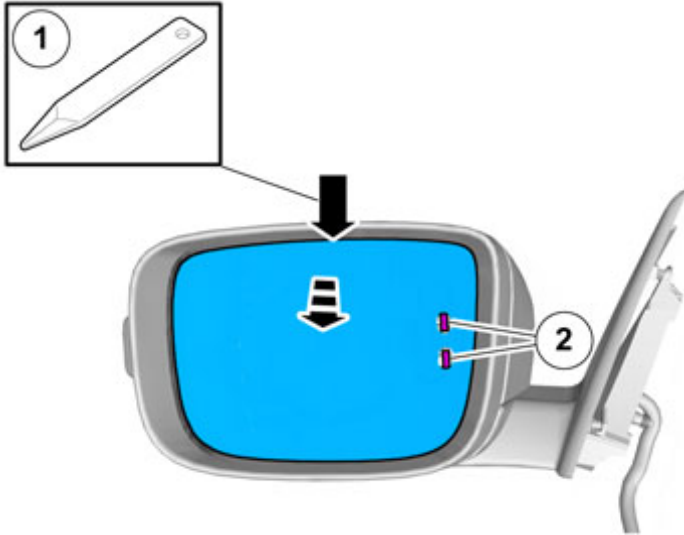
Install in reverse order.



Installation instructions, accessories

Volvo Car Corporation Gothenburg, Sweden

13



IMG-291724

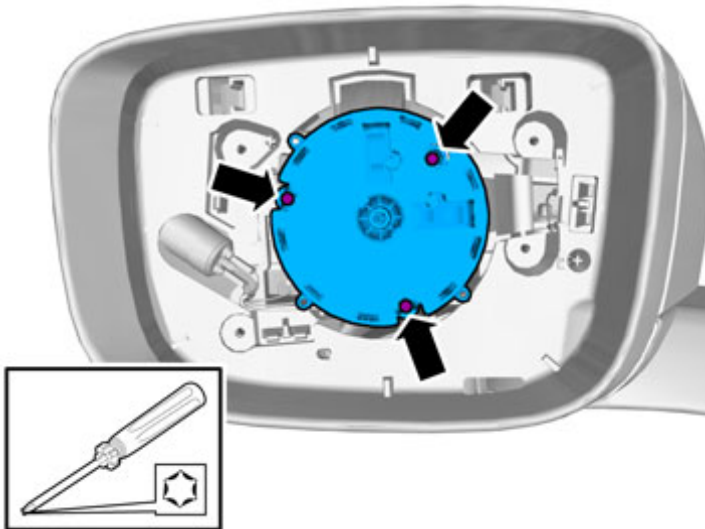
Applies to all models

Remove the glass from the mirror and disconnect the connectors.

Caution!

The glass may break.

14



IMG-291725

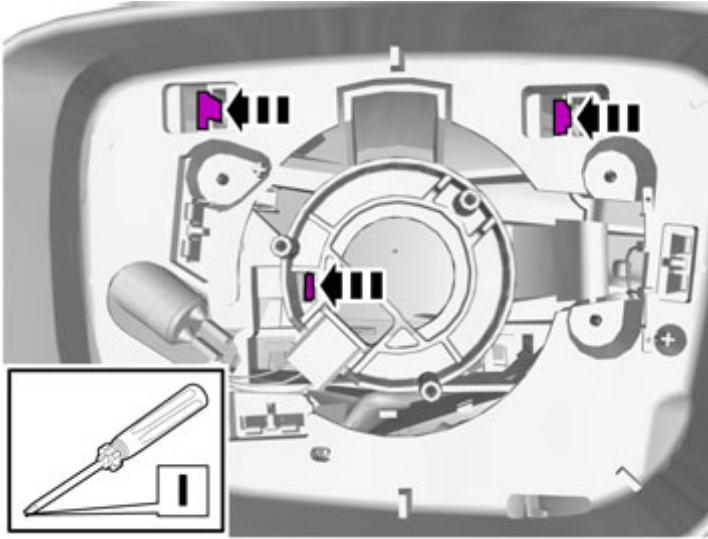
Remove the three screws, disconnect the connector and remove the motor unit.



Installation instructions, accessories

Volvo Car Corporation Gothenburg, Sweden

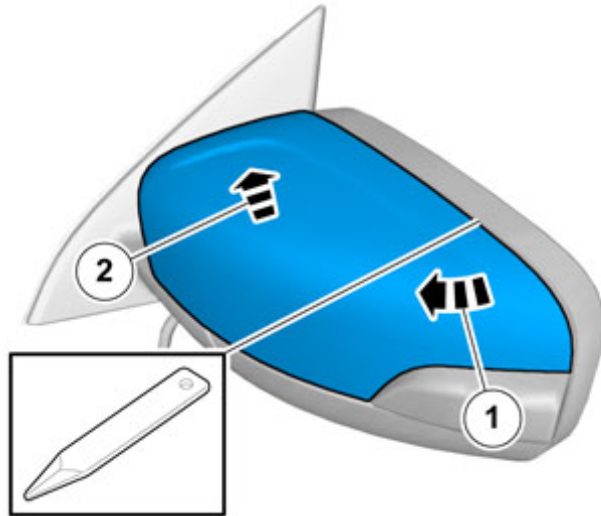
15



IMG-291726

Release the three hooks and at the same time remove the cover.

16



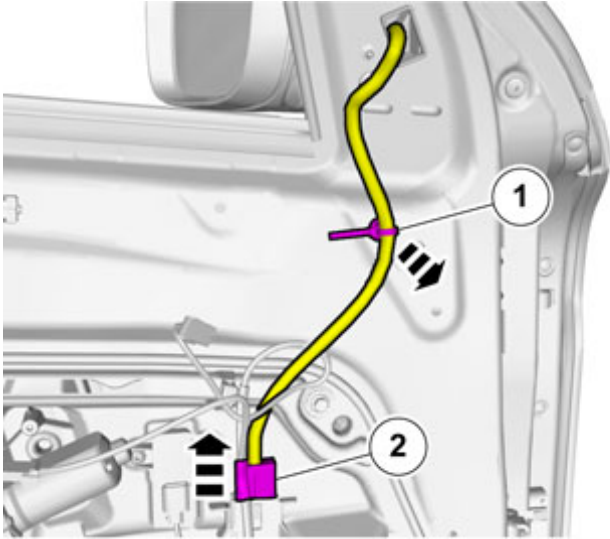
IMG-291727



Installation instructions, accessories

Volvo Car Corporation Gothenburg, Sweden

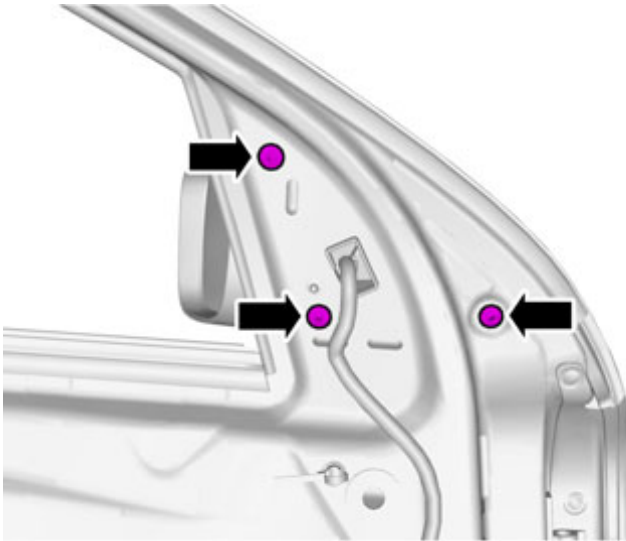
17



IMG-291728

1. Detach the cable tie clips from the door.
2. Unplug the connector.

18



IMG-291729

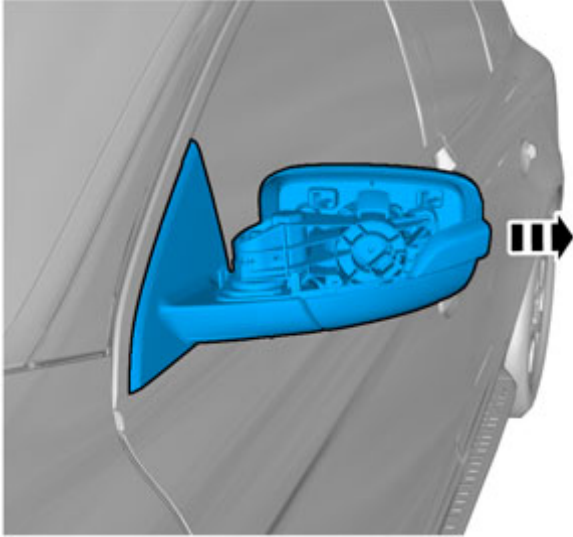
Remove the three screws.



Installation instructions, accessories

Volvo Car Corporation Gothenburg, Sweden

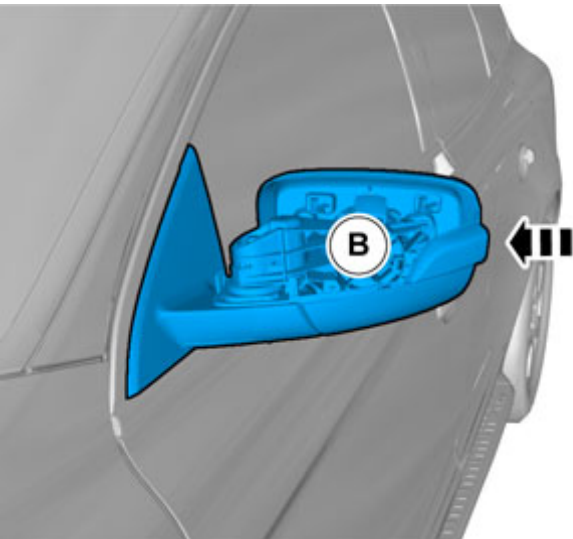
19



IMG-291730

Remove the mirror. This will not be reused.

20



IMG-293287

Install the mirror in reverse order.

Reinstall the detached components in reverse order.

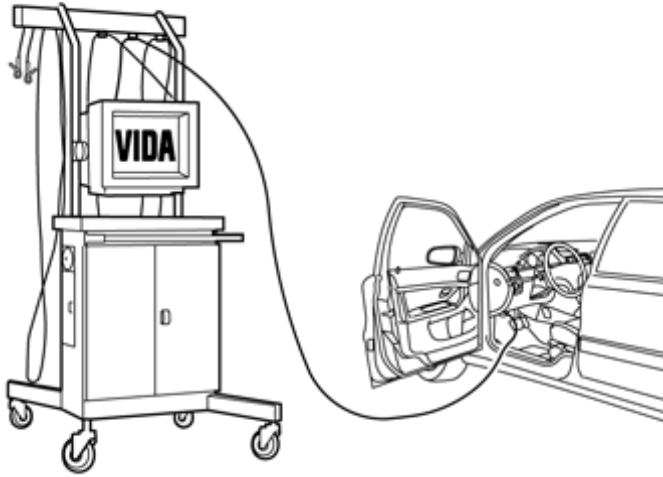
Repeat the operation on the passenger door.



Installation instructions, accessories

Volvo Car Corporation Gothenburg, Sweden

21



Download software for the driver's door control module in accordance with the service information in VIDA.

IMG-242268