



Installation instructions, accessories

Volvo Car Corporation Gothenburg, Sweden

Instruction No	Version	Part. No.
8698299	1.2	8698297

12V socket, cargo compartment



Installation instructions, accessories

Volvo Car Corporation Gothenburg, Sweden

Equipment



A0000162



A0000163



Nm
lbf.ft

A0000161



A0000180



Installation instructions, accessories

Volvo Car Corporation Gothenburg, Sweden

INTRODUCTION

Read through all of the instructions before starting installation.

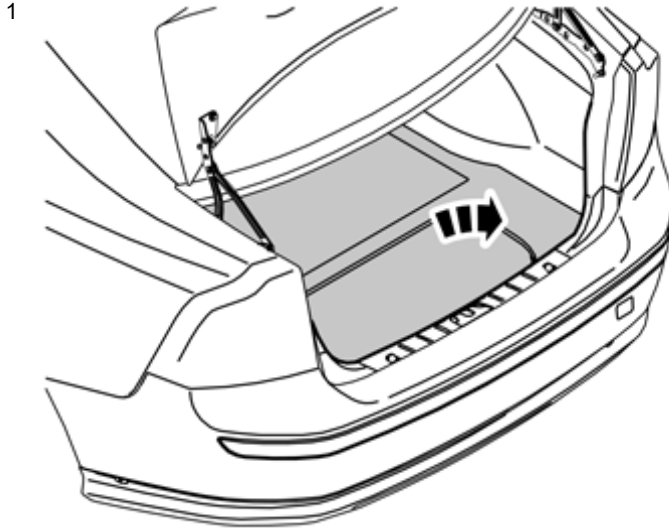
Notifications and warning texts are for your safety and to minimise the risk of something breaking during installation.

Ensure that all tools stated in the instructions are available before starting installation.

Certain steps in the instructions are only presented in the form of images. Explanatory text is also given for more complicated steps.

In the event of any problems with the instructions or the accessory, contact your local Volvo dealer.

Preparations, apply to the S40 (04-)



J8504553

Preparations, apply to the S40 (04-)

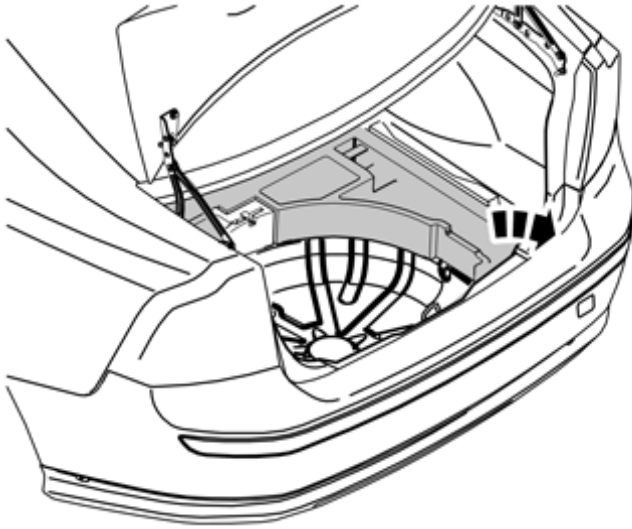
Remove the cargo compartment carpet.



Installation instructions, accessories

Volvo Car Corporation Gothenburg, Sweden

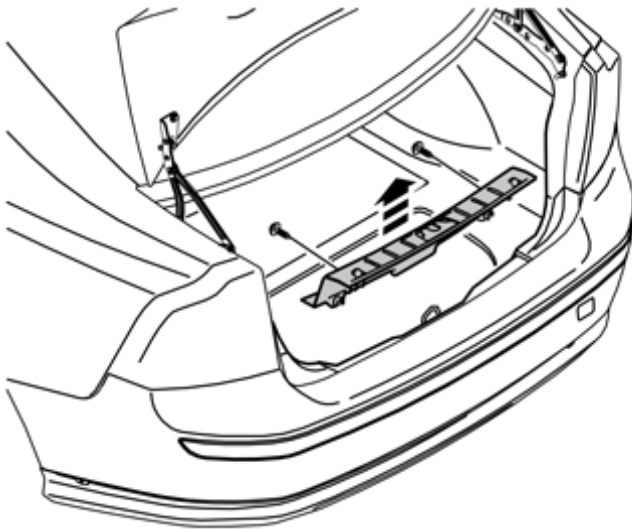
2



J8504552

Remove the upper floor supports on the left and right-hand sides if applicable.

3



J8504554

Unscrew the two external clips at the front edge/bottom edge of the sill trim panel on the tailgate.

Pry up one of the corners of the sill trim panel using a weatherstrip tool so that the two clips at that end release.

Pull up the sill trim panel at the other end so that the remaining two clips release. Remove the sill trim panel.

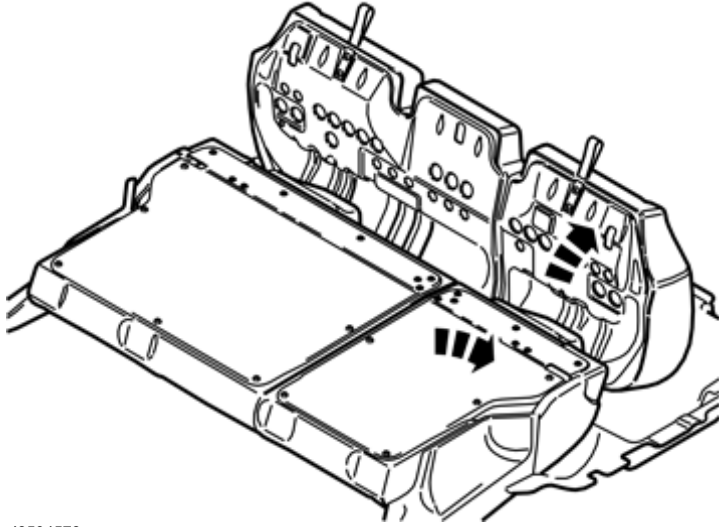
Remove the rubber molding in the cargo compartment opening on the right-hand side, where it covers the right-hand side panel.



Installation instructions, accessories

Volvo Car Corporation Gothenburg, Sweden

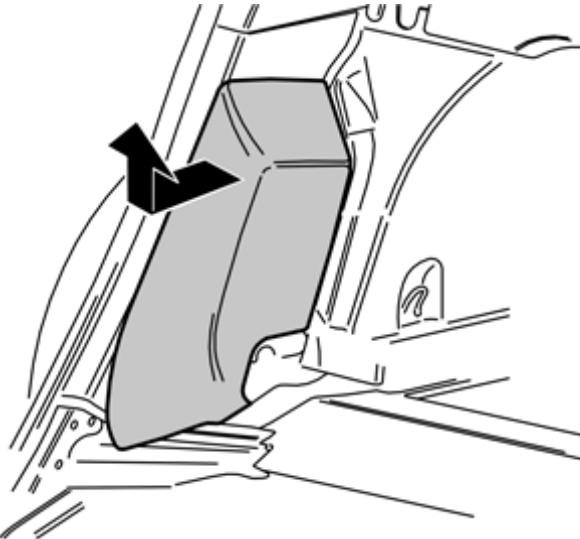
4



J8504578

Fold the seat cushion and backrest on the right-hand side of the rear seat forward.

5



J8504708

Grasp the upper edge of the right-hand side cushion (A). Pull the side cushion forward so that the clips on the reverse release.

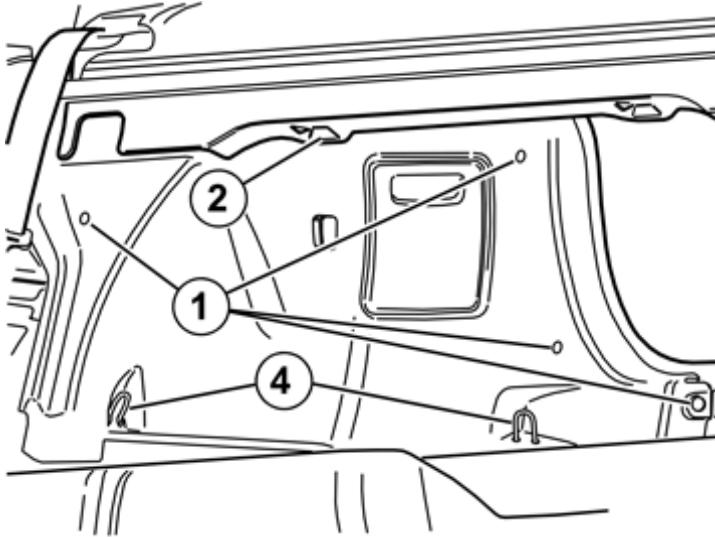
Slide the side cushion upwards.



Installation instructions, accessories

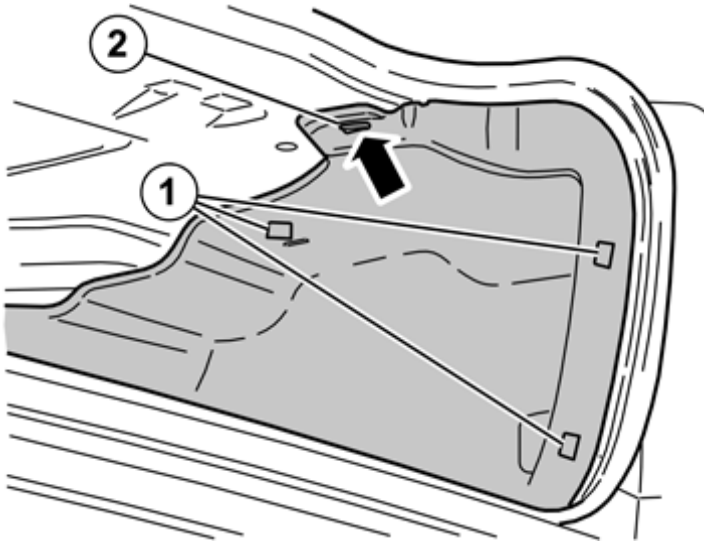
Volvo Car Corporation Gothenburg, Sweden

6A



J8504584

6B



J8504583

Illustrations A and B

Remove the five clips (1) securing the right-hand side panel in the bodywork.

Unhook the front edge of the parcel shelf panel at the mounting (2). Pull the side panel away from the parcel shelf panel and the panel on the C-pillar.

Unhook the side panel from the mounting (3) on the underside of the parcel shelf.

Unhook the side panel from the load securing eyelets (4). Remove the side panel.

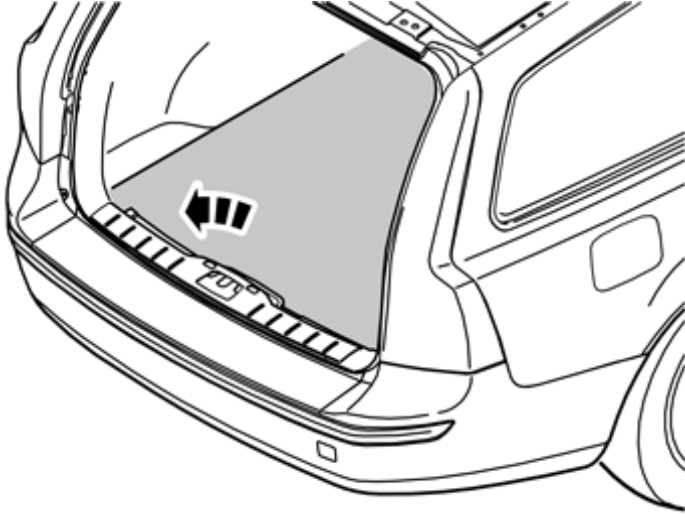
Preparations, apply to the V50



Installation instructions, accessories

Volvo Car Corporation Gothenburg, Sweden

7

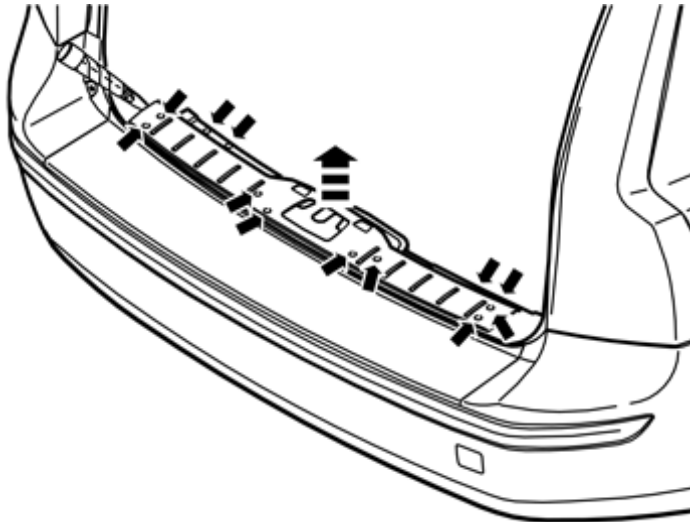


Preparations, apply to the V50

Remove the cargo compartment carpet.

J8504575

8



Prize off the four external clips at the front edge/bottom edge of the sill trim panel on the tailgate.

Pry up one of the corners of the sill trim panel so that the two clips at that end release. Use a weatherstrip tool.

Pull up the sill trim panel so the remaining six clips release. Remove the panel.

Detach the rubber strip where it covers the right-hand side panel in the trunk opening.

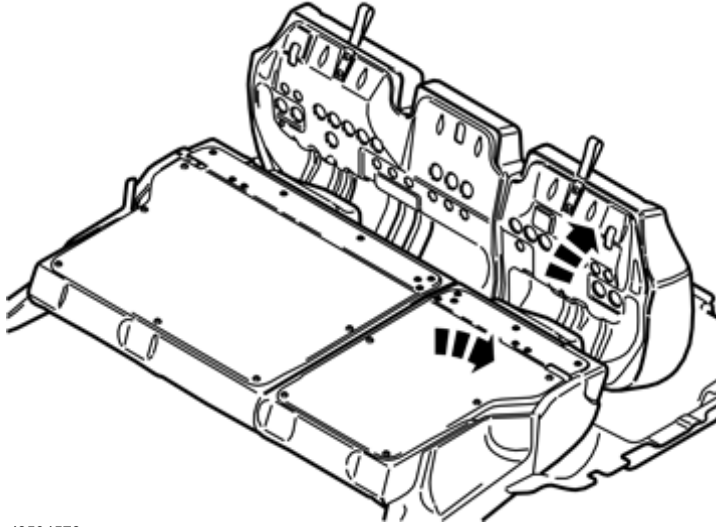
J8504577



Installation instructions, accessories

Volvo Car Corporation Gothenburg, Sweden

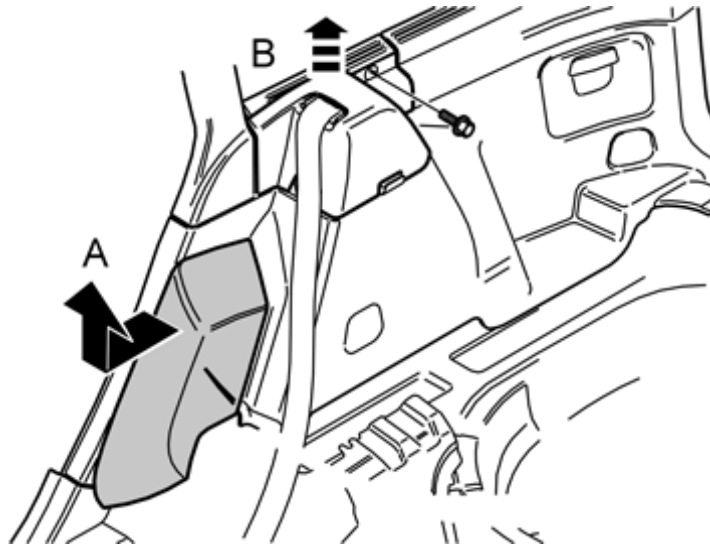
9



J8504578

Fold the seat cushion and backrest on the right-hand side of the rear seat forward.

10



J8504702

Grasp the upper edge of the right-hand side cushion. Pull the side cushion forward so that the clip on the reverse releases (A).

Slide the side cushion upwards.

Remove the screw at the rear edge of the panel at the front/top of the right-hand side panel (B).

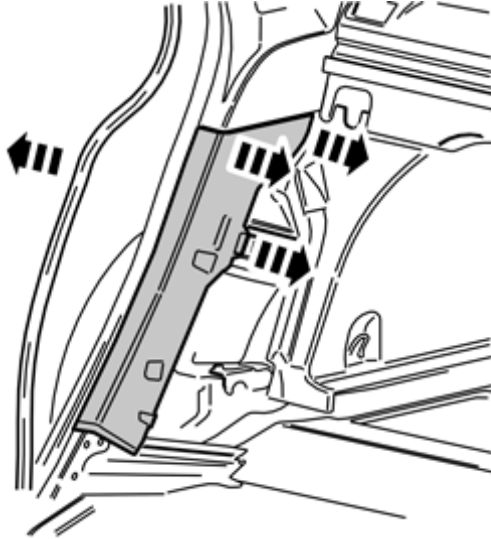
Pull the panel upwards so that the four clips on the inside release.



Installation instructions, accessories

Volvo Car Corporation Gothenburg, Sweden

11

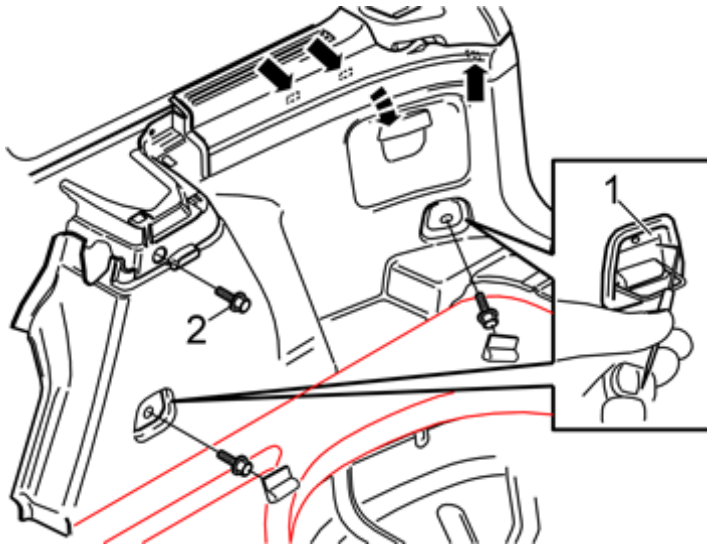


J8504585

Pull off the rubber strip at the rear of the opening for the right-hand rear door.

Carefully pry off the lower panel on the C-post on the right-hand side. Pry the top edge using a weatherstrip tool. Pull in the C-post panel so that the two upper clips release. Then continue pulling down until the last two clips release.

12



J8504570

Fold out the load securing eyelets on the right-hand side panel.

Insert a scribe with an angled tip into the holes in the top of the covers (1). Turn the scribe so that the tip engages the reverse of the covers. Pull the covers off.

Remove the screws in the load securing eyelets.

Remove the screw (2) at the front/top edge of the side panel.

Pull off the side panel at the top so that the two clips at the rear/bottom of the side window and the clip at the bottom of the D-pillar release.

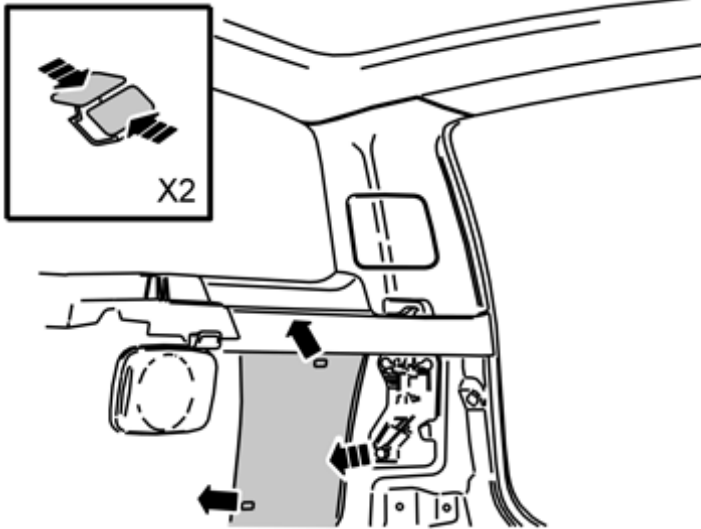
Lift out the side panel.



Installation instructions, accessories

Volvo Car Corporation Gothenburg, Sweden

13



J8504615

Remove the insulation panel on the right-hand side. The insulation panel is secured by two clips behind the rear wheel arch.

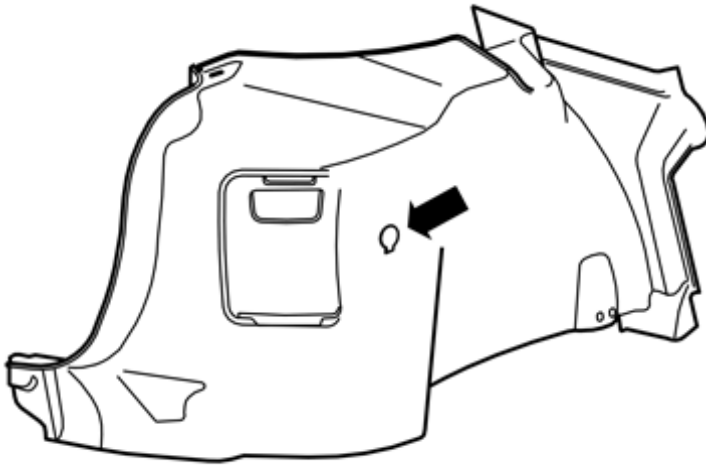
Installation of the 12V socket, applies to the S40(04-) and V50



Installation instructions, accessories

Volvo Car Corporation Gothenburg, Sweden

14A



Installation of the 12V socket, applies to the S40(04-) and V50

Applies to cars where the marking for the 12V socket hole is on the reverse of the side panel. Image A applies to the S40 (04-)

Illustration B applies to the V50

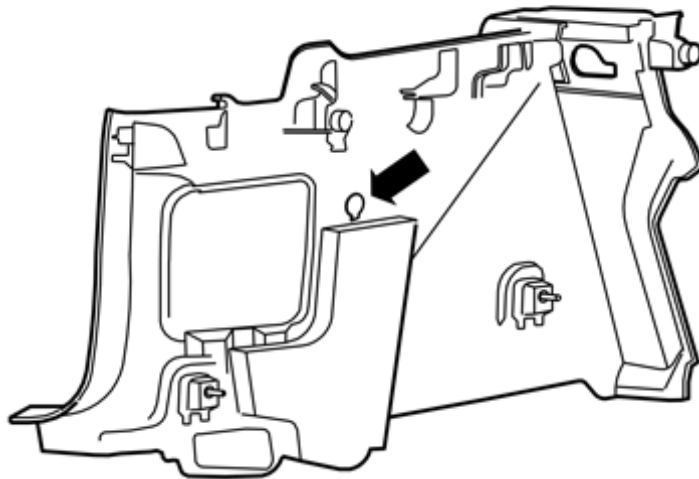
Drill out the hole for the 12V socket according to the marking on the side panel using a $\text{\O}29$ mm (1 1/8") hole saw.

Cut out the hole at the lower edge according to the marking.

Clean around the hole edges.

J8504857

14B



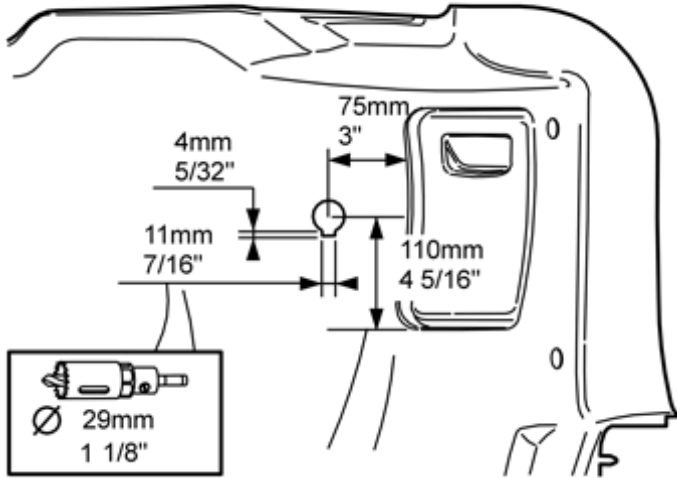
J8504858



Installation instructions, accessories

Volvo Car Corporation Gothenburg, Sweden

15A S40



J8504705

Applies to cars without marking for 12V socket. Image A applies to the S40 (04-)

Illustration B applies to the V50

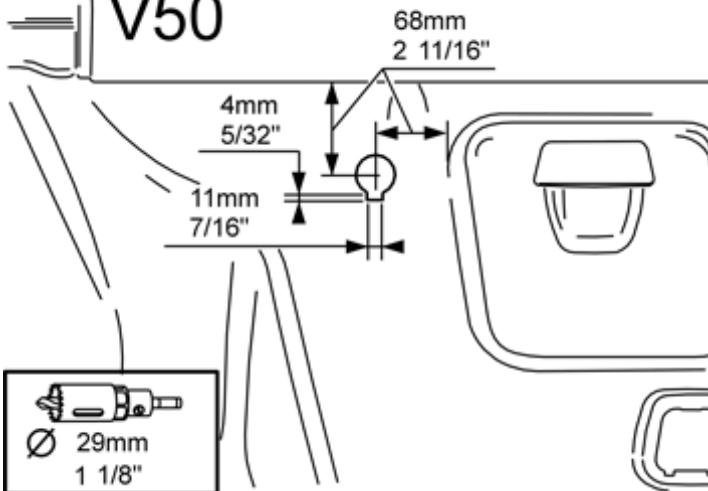
Measure on the side panel according to image A or B.

Drill out the hole for the 12V socket using a $\varnothing 29$ mm (1 1/8") hole saw.

Cut out the panel at the rear edge of the hole according to the measurements in the image.

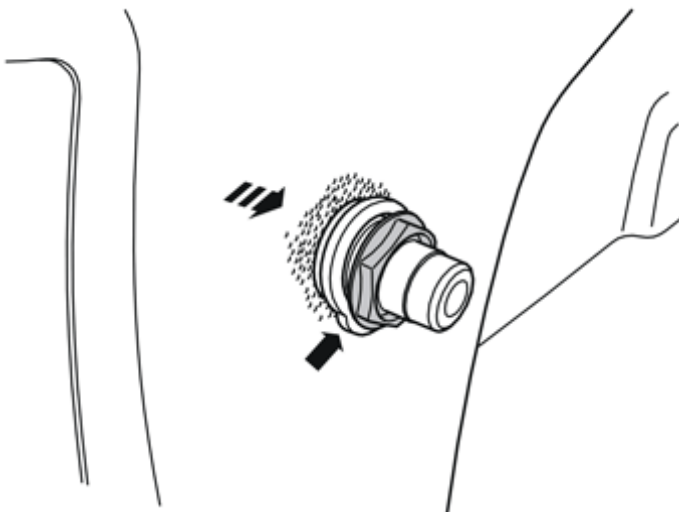
Clean around the hole edges.

15B V50



J8504712

16

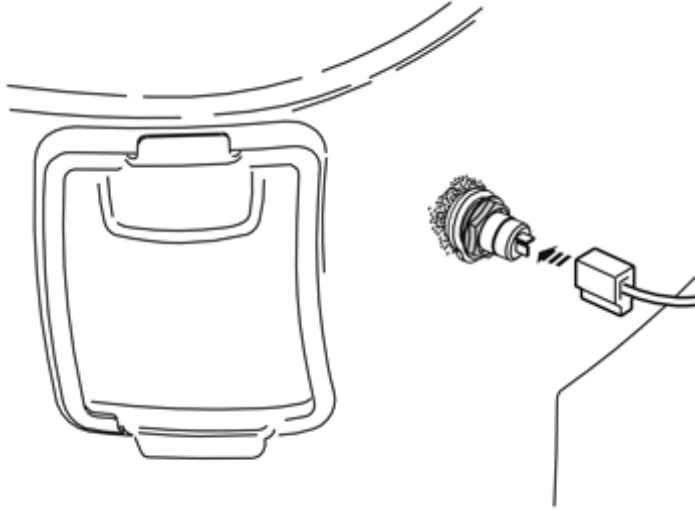


J3904698

Install the 12V socket in the hole in the panel. Install the space washer and nut, and tighten.



17



J3904699

Applies to the S40 (04–) and V50

Locate the white 2-pin female connector at the rear edge of the right-hand rear wheel housing.

Applies to the V50

Reinstall the insulation panel.

Applies to the S40 (04–) and V50

Reinstall the side panel. Connect the white connector to the 12V socket.

Applies to the V50

Tighten the screws for the load securing eyelets. Tighten to 24 Nm (18 lbf.ft.).

Reinstall:

the lower panel on the C-pillar

the rubber molding at the rear edge of the opening for the rear door.

the panel at the front/top of the side panel. Press downwards so that the catches engage. Tighten using the screw.

the side cushion.

the rubber molding in the cargo compartment opening.

the sill panel in the cargo compartment opening.

Reinstall the cargo compartment carpet.

Fold the backrest and seat back into place.

Applies to S40 (04-)

Press the panel for the parcel shelf into place.

Reinstall the side bolster.

Fold the backrest and seat back into place.

Reinstall:

the rubber molding in the cargo compartment opening.

the sill panel in the cargo compartment opening.

the upper floor support, if applicable.

Reinstall the cargo compartment carpet.